



US00D650184S

(12) **United States Design Patent**  
**Hsu**

(10) **Patent No.:** **US D650,184 S**

(45) **Date of Patent:** **\*\* Dec. 13, 2011**

(54) **STEP STOOL**

(75) **Inventor:** **Chiung Yueh Hsu**, Hemei Township,  
Changhua County (TW)

(73) **Assignee:** **Hsiang Fu Chia Enterprise Co., Ltd.**,  
Changhua County (TW)

(\*\*) **Term:** **14 Years**

(21) **Appl. No.:** **29/388,602**

(22) **Filed:** **Mar. 31, 2011**

(51) **LOC (9) Cl.** ..... **06-01**

(52) **U.S. Cl.** ..... **D6/349**

(58) **Field of Classification Search** ..... D6/335,  
D6/336, 337, 338, 339, 349, 350, 351, 352,  
D6/353; 291/175, 451.2, 452.11, 452.12,  
291/461, 462; 5/12.1, 12.2

See application file for complete search history.

(56) **References Cited**

U.S. PATENT DOCUMENTS

D557,910 S *	12/2007	Saunders et al. ....	D6/350
D566,408 S *	4/2008	Gonzalez .....	D6/350
D566,978 S *	4/2008	Gonzalez .....	D6/350
D589,630 S *	3/2009	Henson et al. ....	D25/65
D625,931 S *	10/2010	Estrup .....	D6/349

\* cited by examiner

*Primary Examiner* — Sandra Snapp

(74) *Attorney, Agent, or Firm* — Leong C. Lei

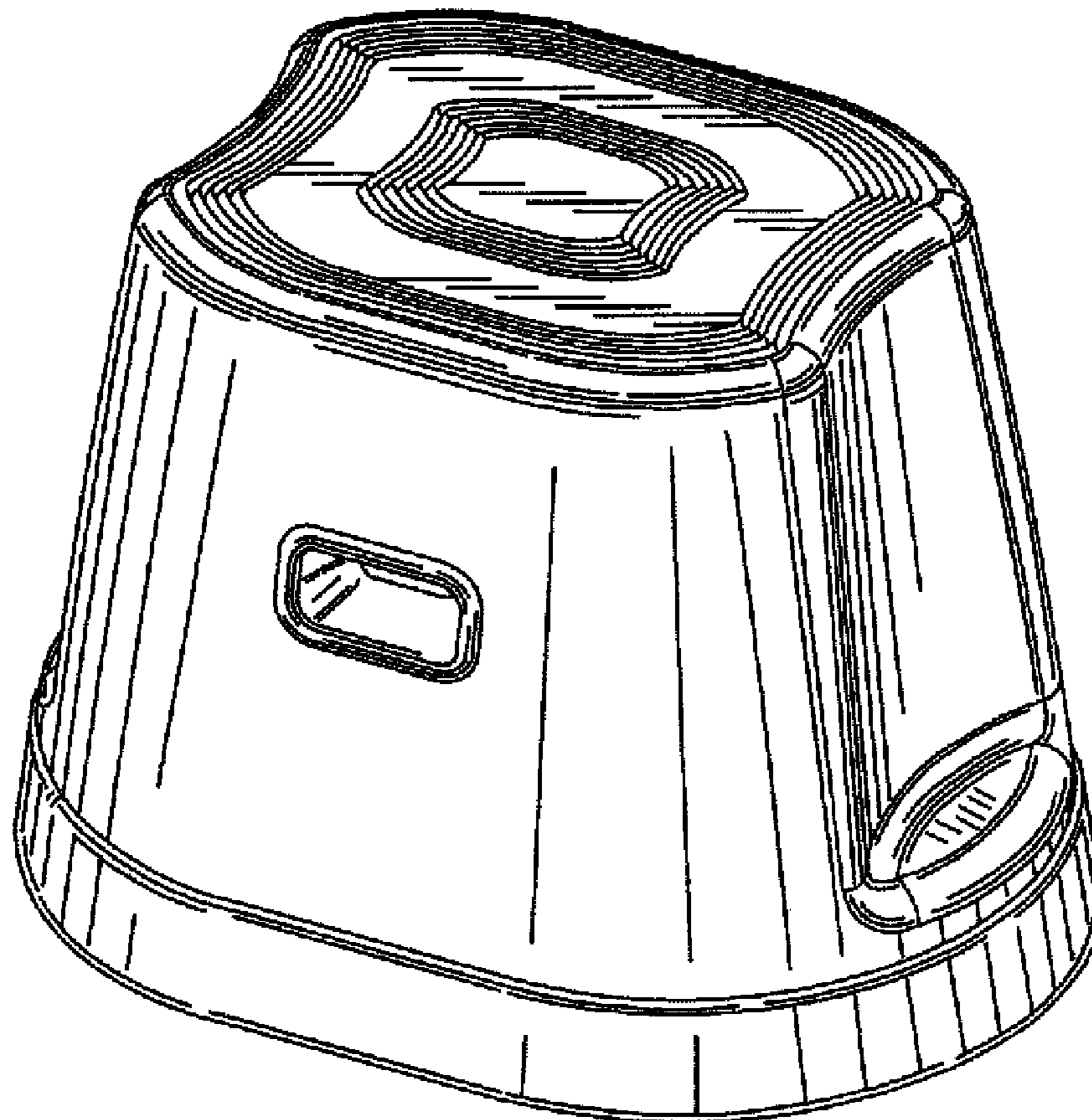
(57) **CLAIM**

The ornamental design for a step stool, as shown and described.

**DESCRIPTION**

FIG. 1 is a front perspective view of a step stool showing my new design;  
FIG. 2 is a front elevational view thereof;  
FIG. 3 is a rear elevational view thereof;  
FIG. 4 is a left elevational view thereof;  
FIG. 5 is a right elevational view thereof;  
FIG. 6 is a top plan view thereof; and,  
FIG. 7 is a bottom plan view thereof.

**1 Claim, 4 Drawing Sheets**



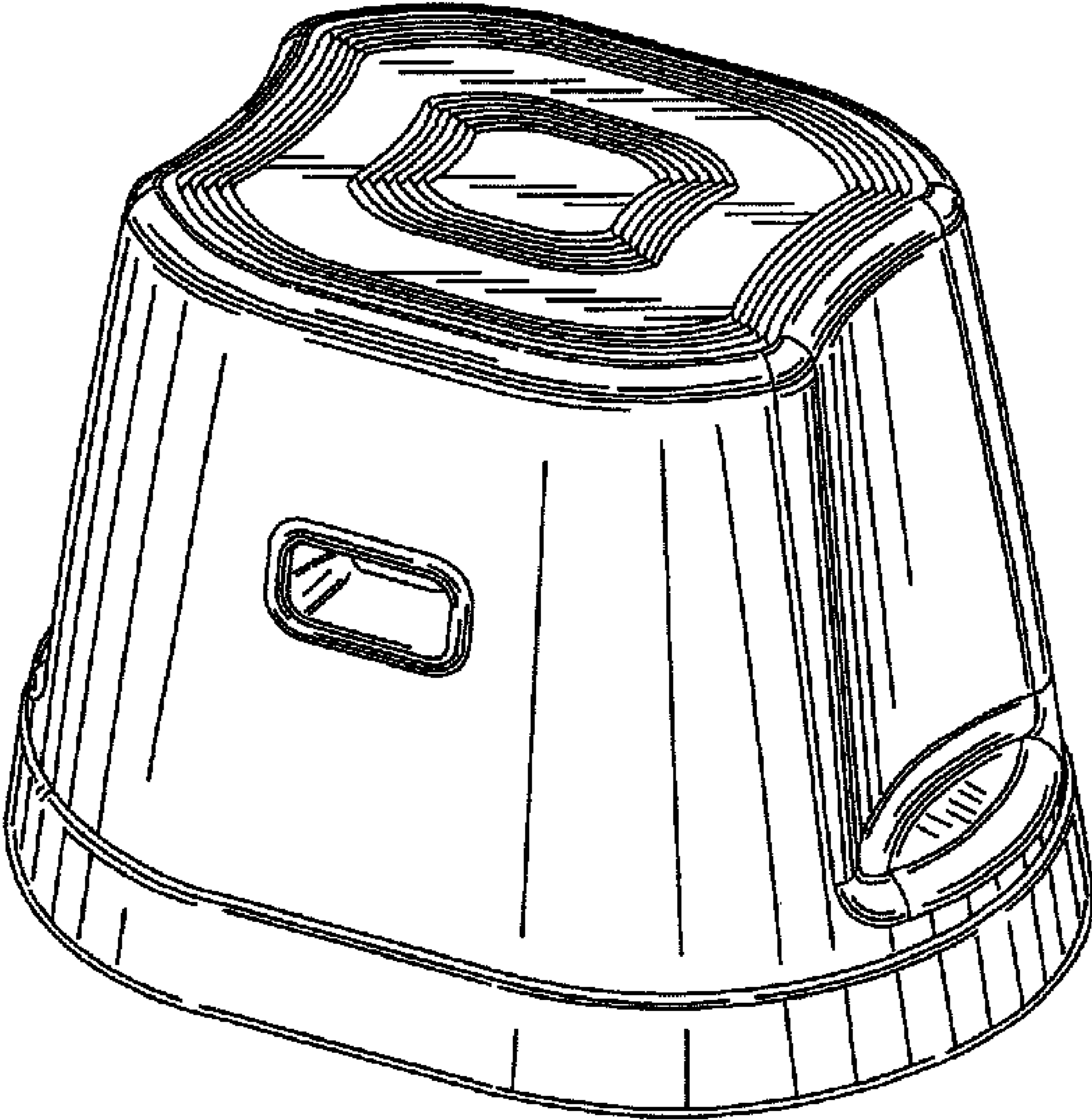


FIG.1

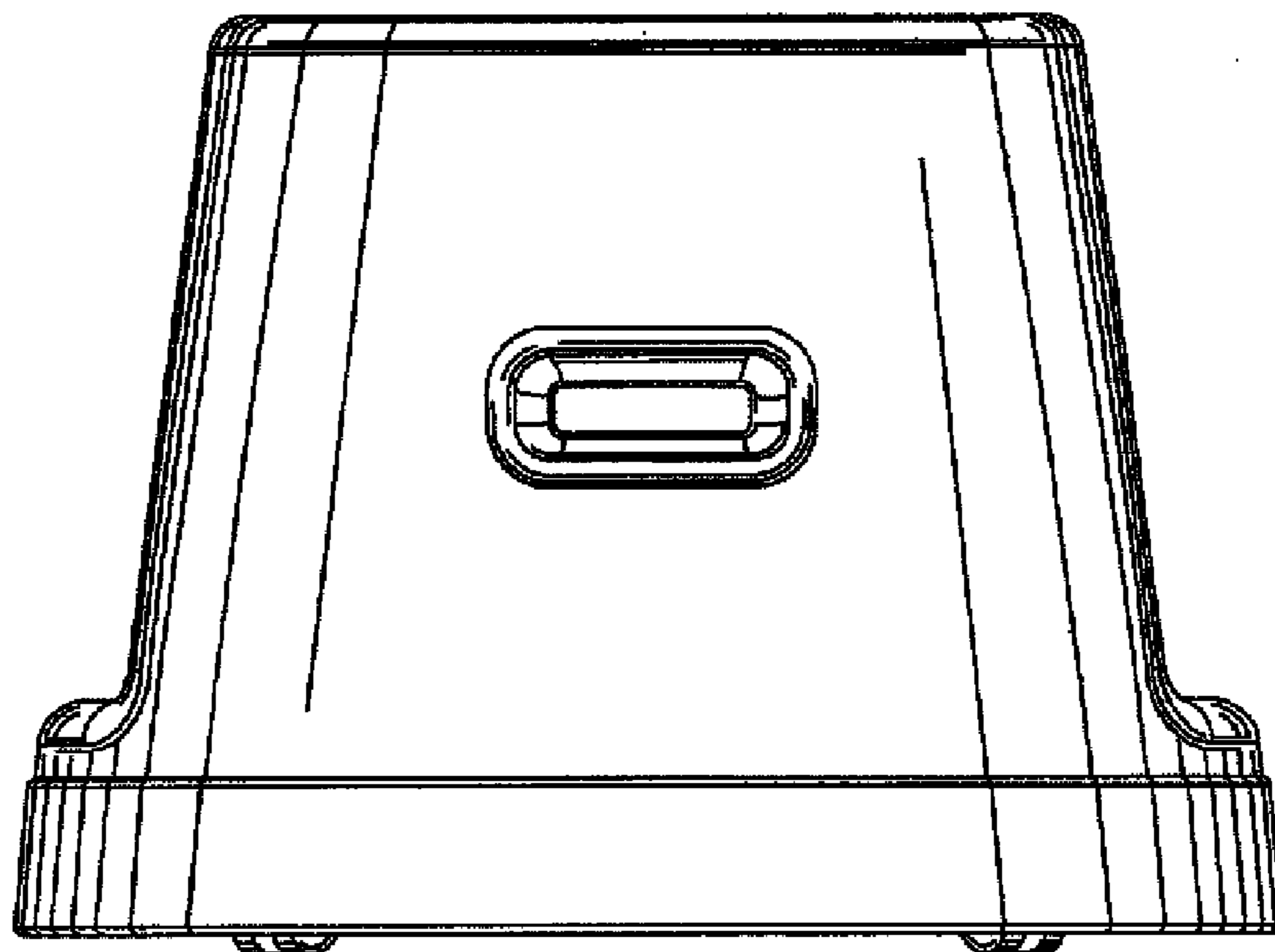


FIG. 2

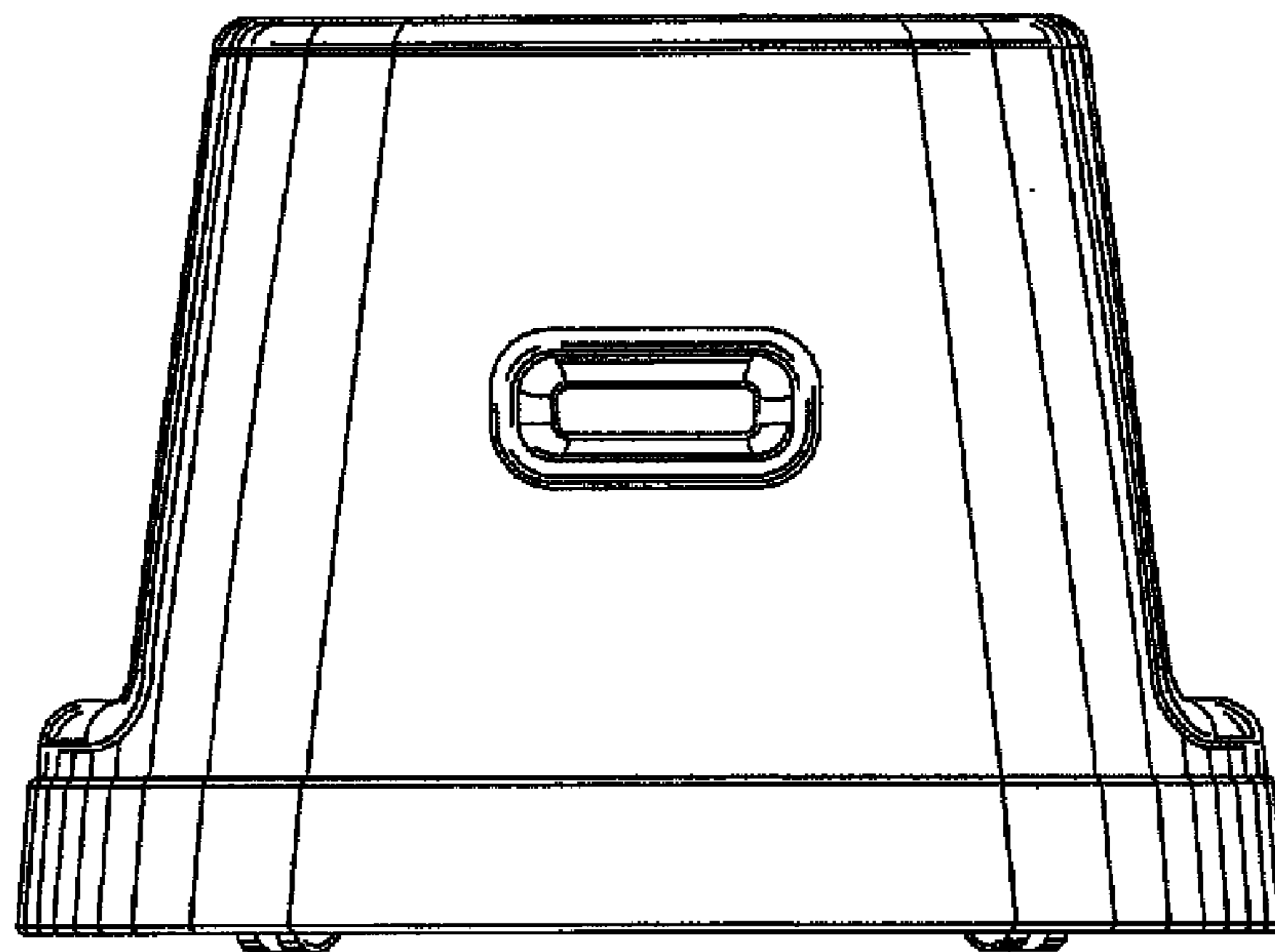


FIG. 3

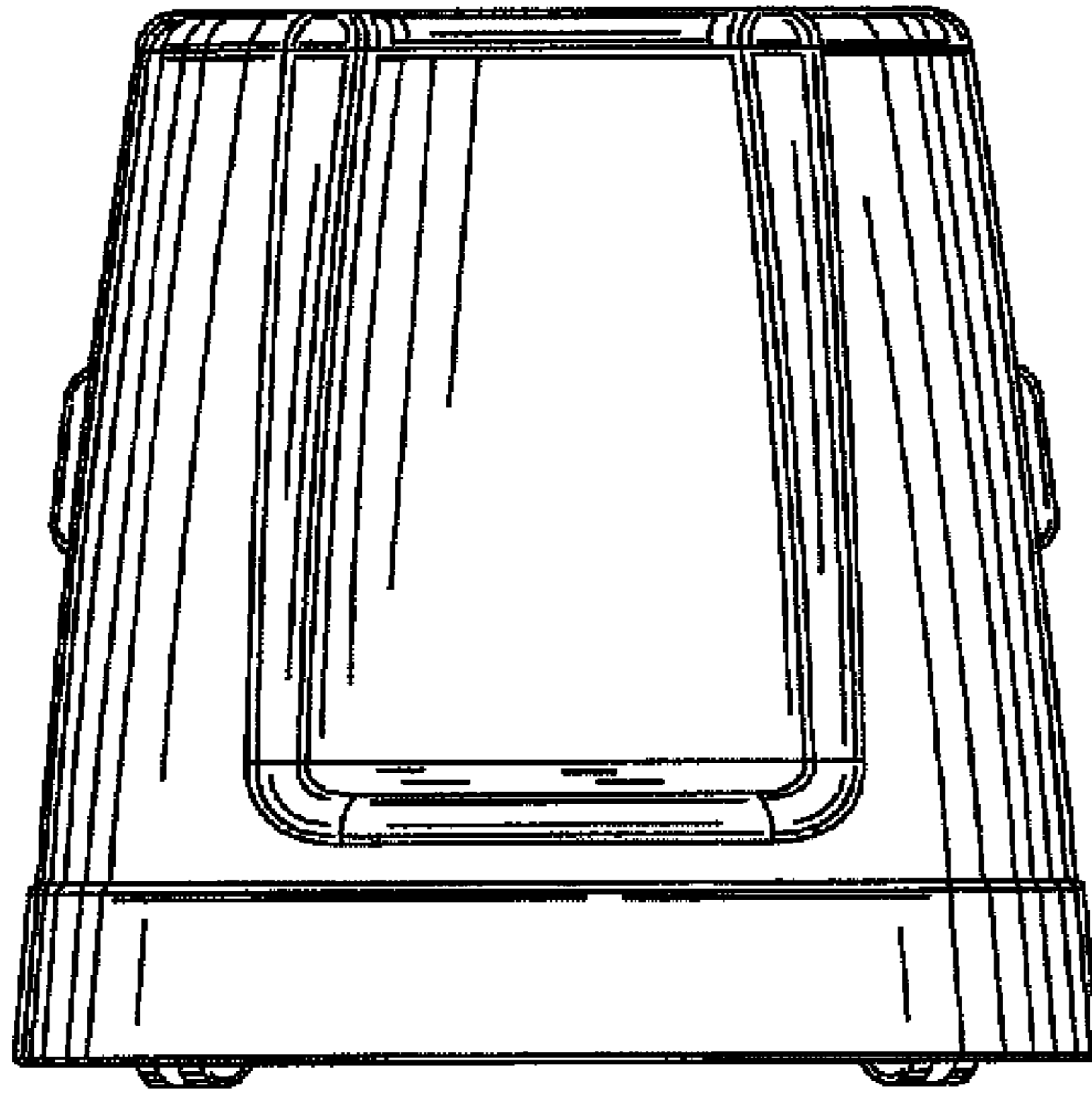


FIG. 4

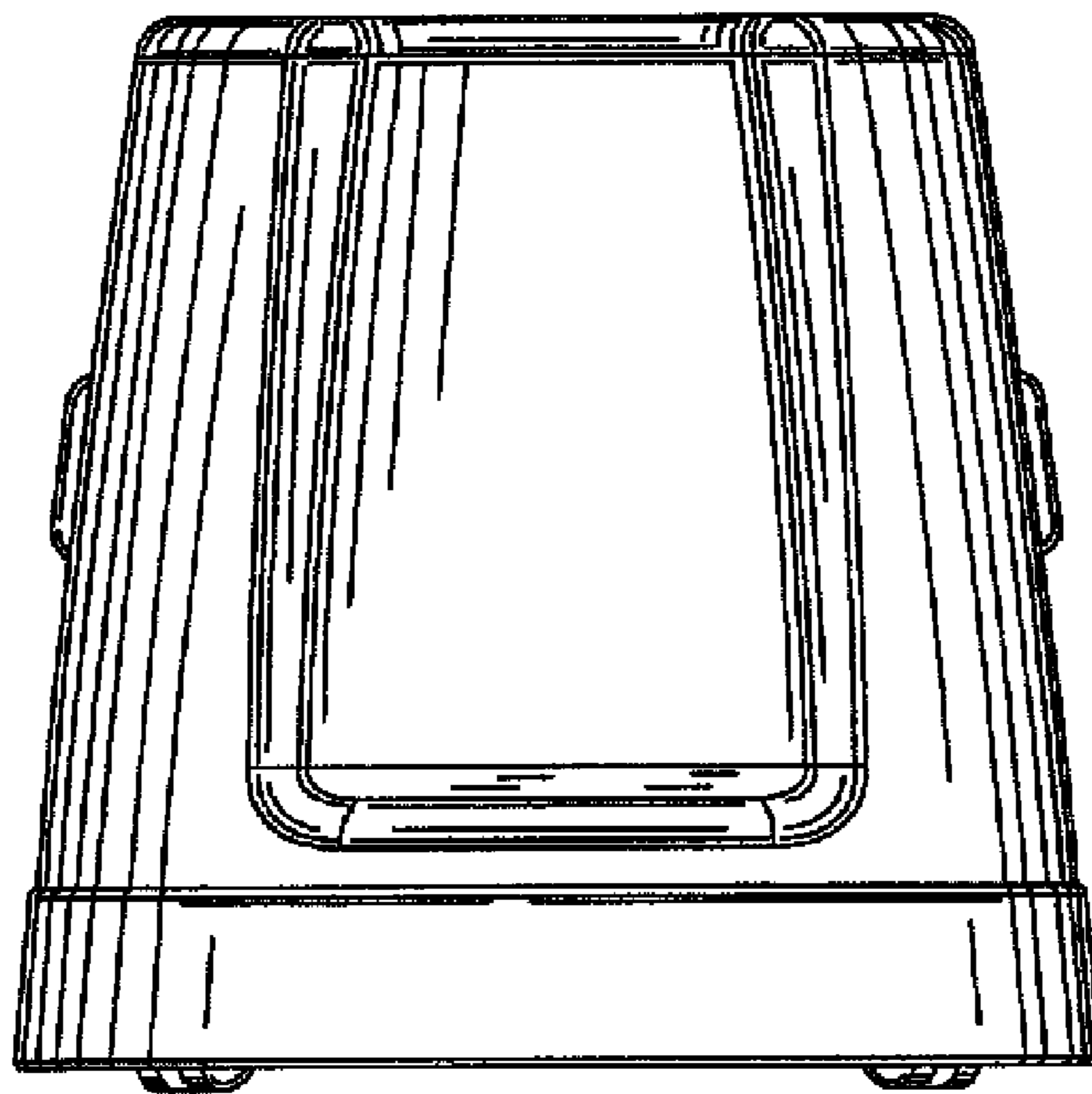


FIG. 5

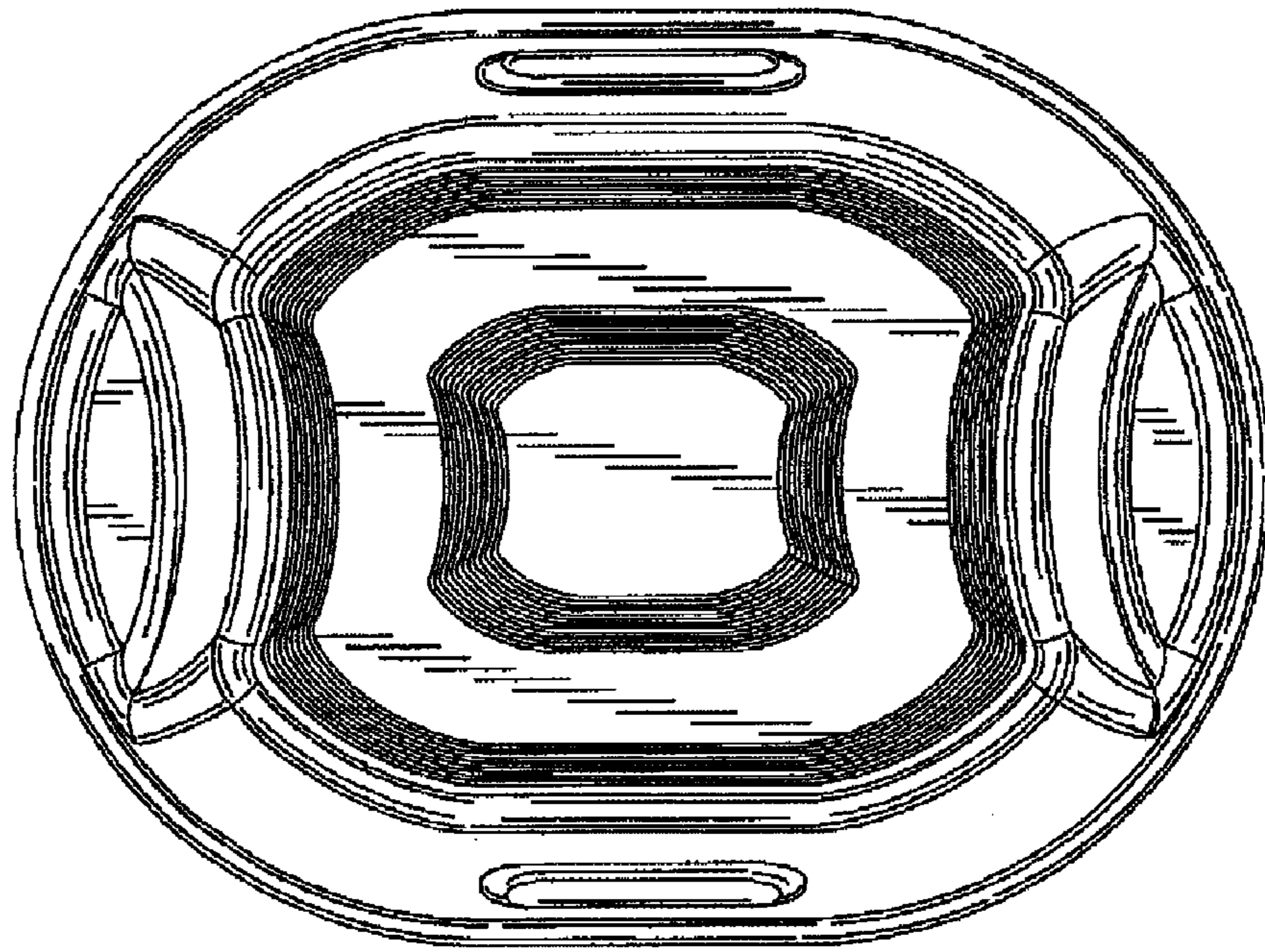


FIG. 6

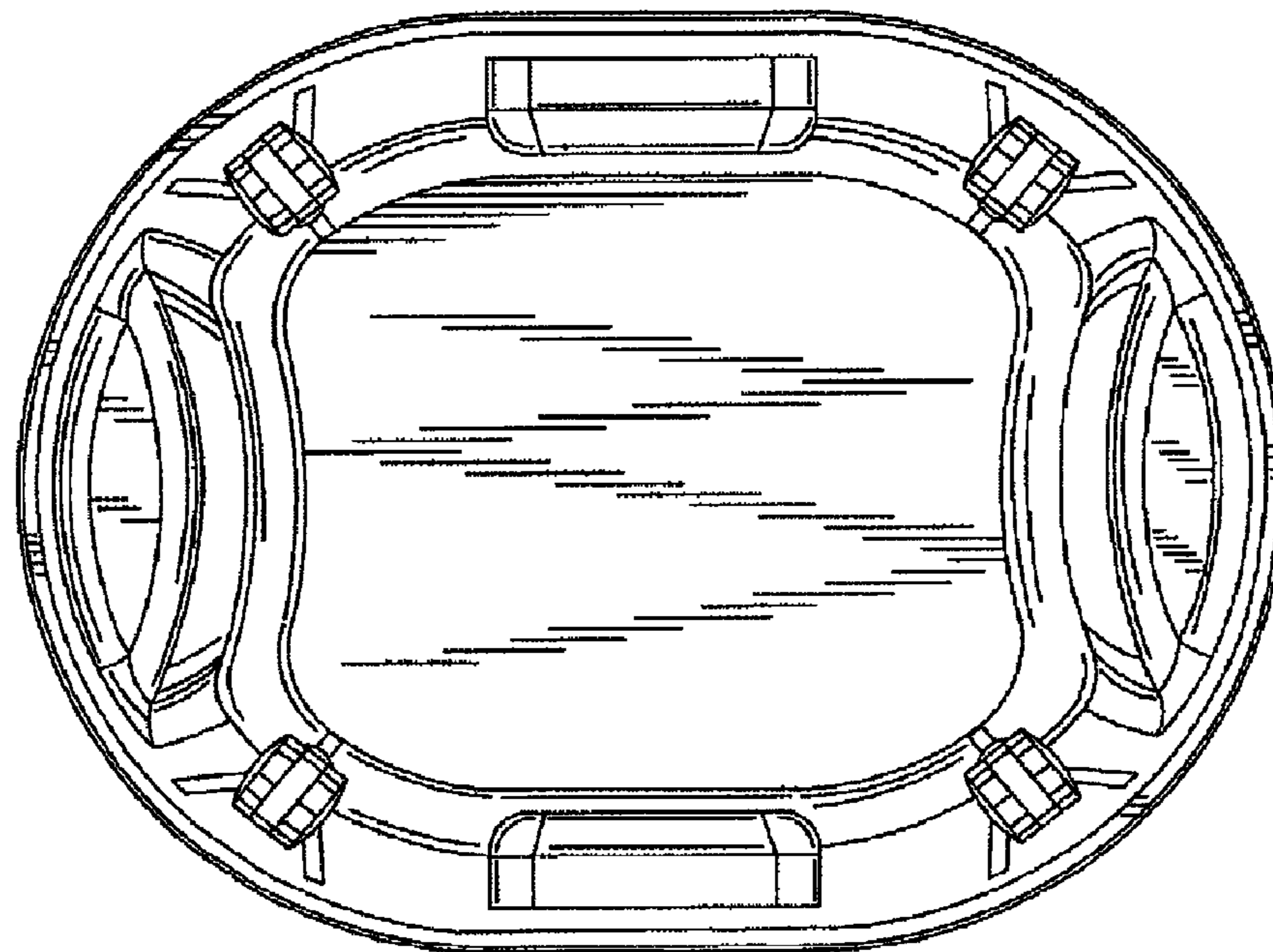


FIG. 7