



US00D650181S

(12) **United States Design Patent**
Madakbas

(10) **Patent No.:** **US D650,181 S**
(45) **Date of Patent:** **** Dec. 13, 2011**

(54) **FOLDABLE HIGH CHAIR**

4,877,292 A * 10/1989 Volpe et al. 297/440.12
5,860,704 A * 1/1999 Smith 297/440.12

(76) Inventor: **Betul H Madakbas**, Port Melbourne
(AU)

* cited by examiner

(**) Term: **14 Years**

Primary Examiner — Sandra Snapp

(21) Appl. No.: **29/350,236**

(74) *Attorney, Agent, or Firm* — Intellectual Property Law
Group LLP

(22) Filed: **Nov. 12, 2009**

(57) **CLAIM**

The ornamental design for a foldable high chair, as shown and
described.

(30) **Foreign Application Priority Data**

DESCRIPTION

May 12, 2009 (AU) 11688/2009

(51) **LOC (9) Cl.** **06-01**

(52) **U.S. Cl.** **D6/339**

(58) **Field of Classification Search** D6/333,
D6/339; 297/184.13, 184.17, 219.12, 250.1,
297/256.16, 463.1; D21/428; D12/129;
5/655

See application file for complete search history.

FIG. 1 is a perspective rear view of a foldable high chair
embodying my new design;
FIG. 2 is a perspective front view thereof;
FIG. 3 is a front elevational view thereof;
FIG. 4 is a rear elevational view thereof;
FIG. 5 is a left side elevational view thereof;
FIG. 6 is a right side elevational view thereof;
FIG. 7 is a top plan view thereof;
FIG. 8 is a bottom plan view thereof;
FIG. 9 is a bottom plan view with hidden detail thereof; and,
FIG. 10 is an unfolded disassembled view thereof.

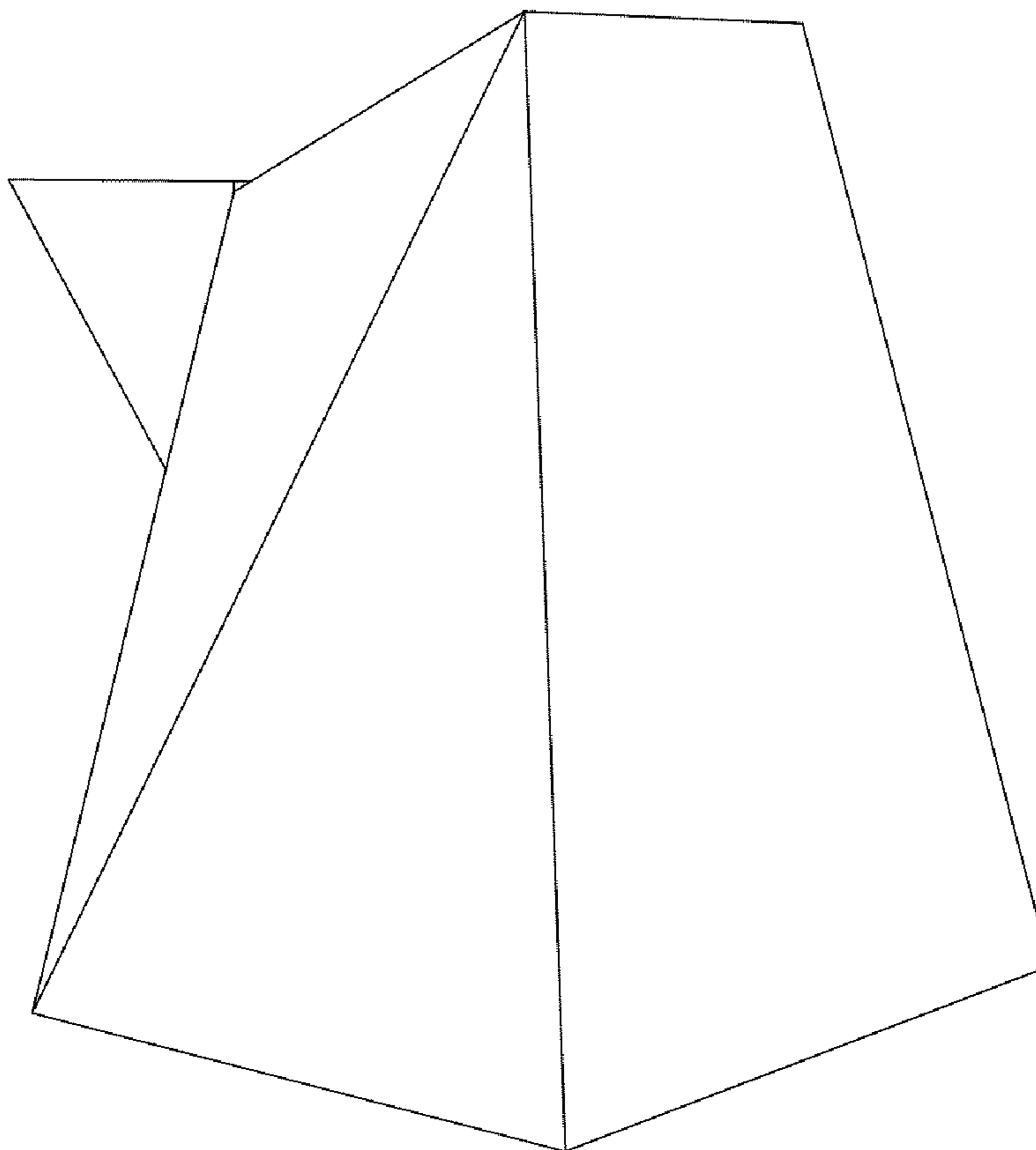
(56) **References Cited**

U.S. PATENT DOCUMENTS

D215,428 S * 9/1969 Tapert D6/352
D226,545 S * 3/1973 Hollingsworth D6/349
4,556,253 A * 12/1985 Geneve et al. 297/440.12
4,648,658 A * 3/1987 Calco 297/440.12
4,811,987 A * 3/1989 Volpe et al. 297/440.12

The broken lines shown in FIG. 9 of the drawings are for
illustrative purposes only and form no part of the claimed
invention. The dashed lines shown in FIG. 10 are understood
to represent fold lines.

1 Claim, 9 Drawing Sheets



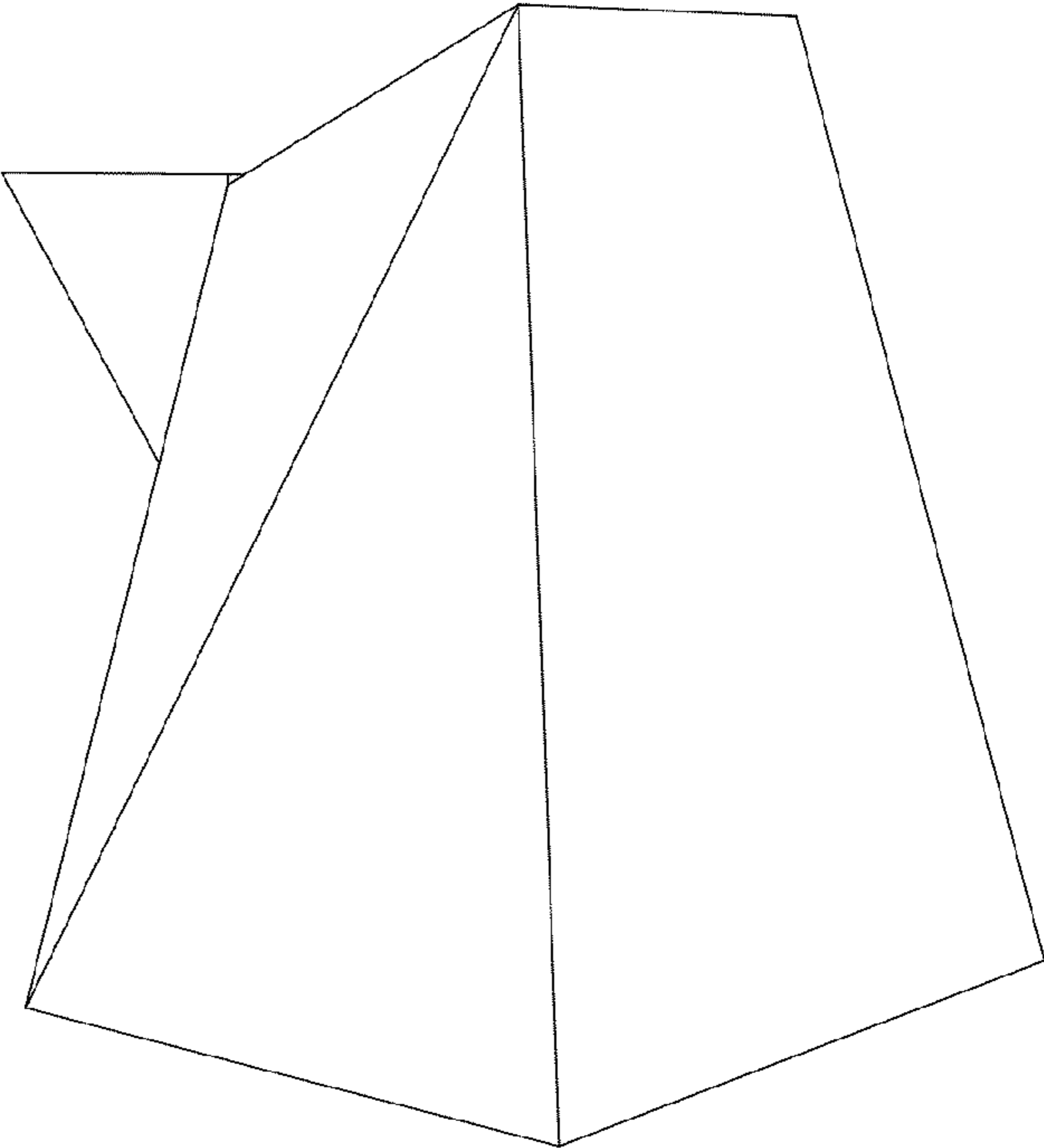


FIG. 1

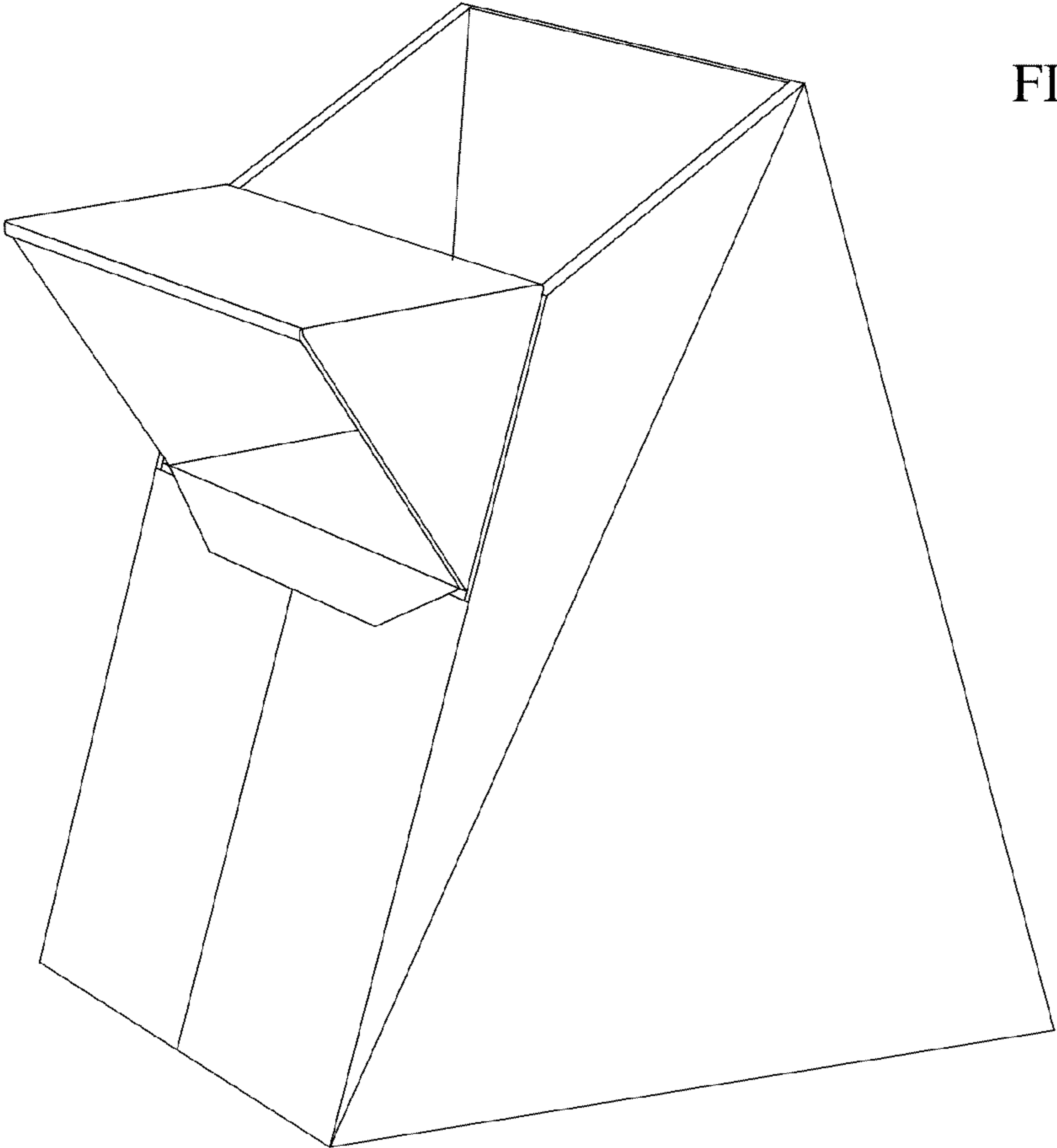


FIG. 2

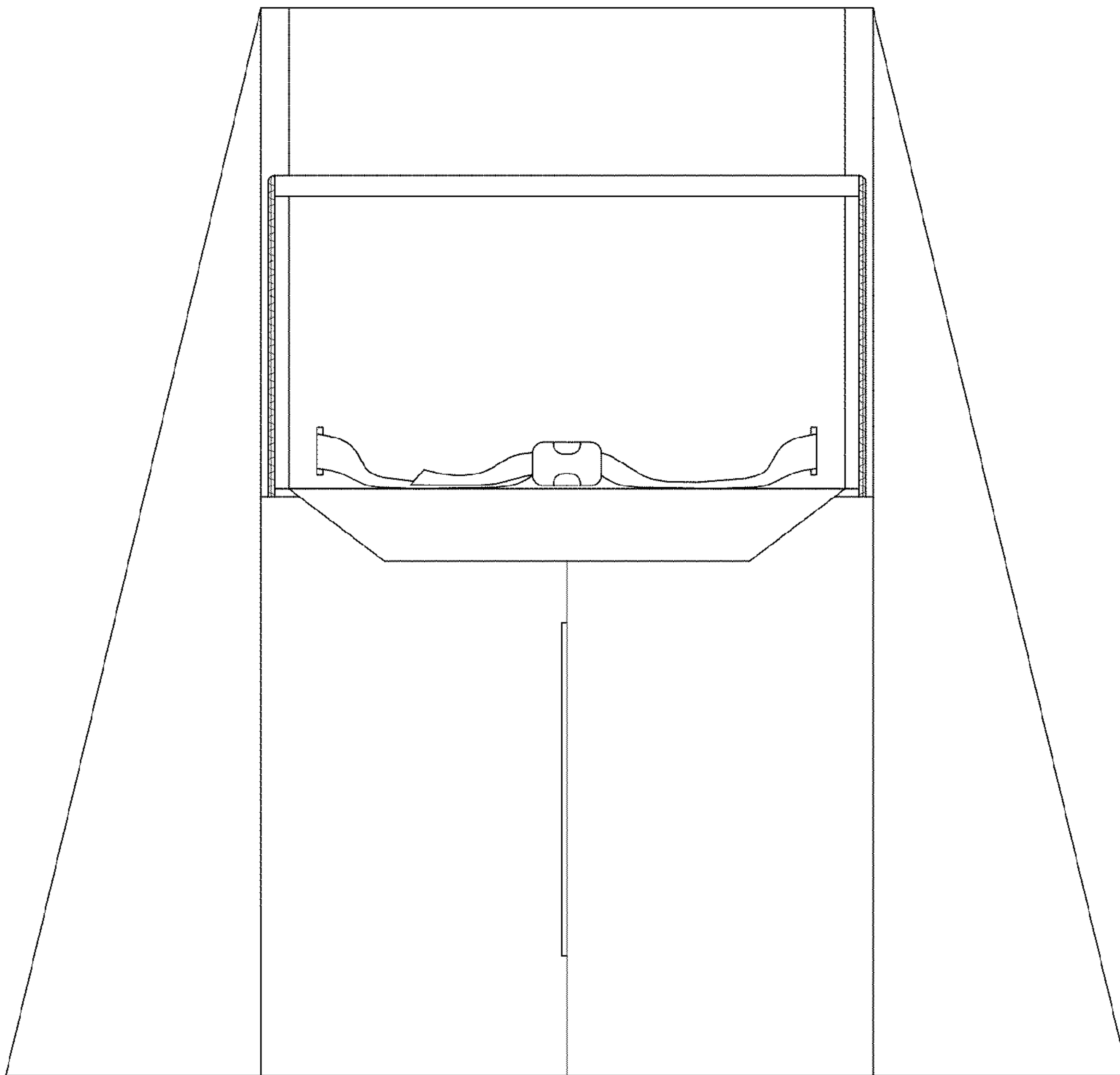


FIG. 3

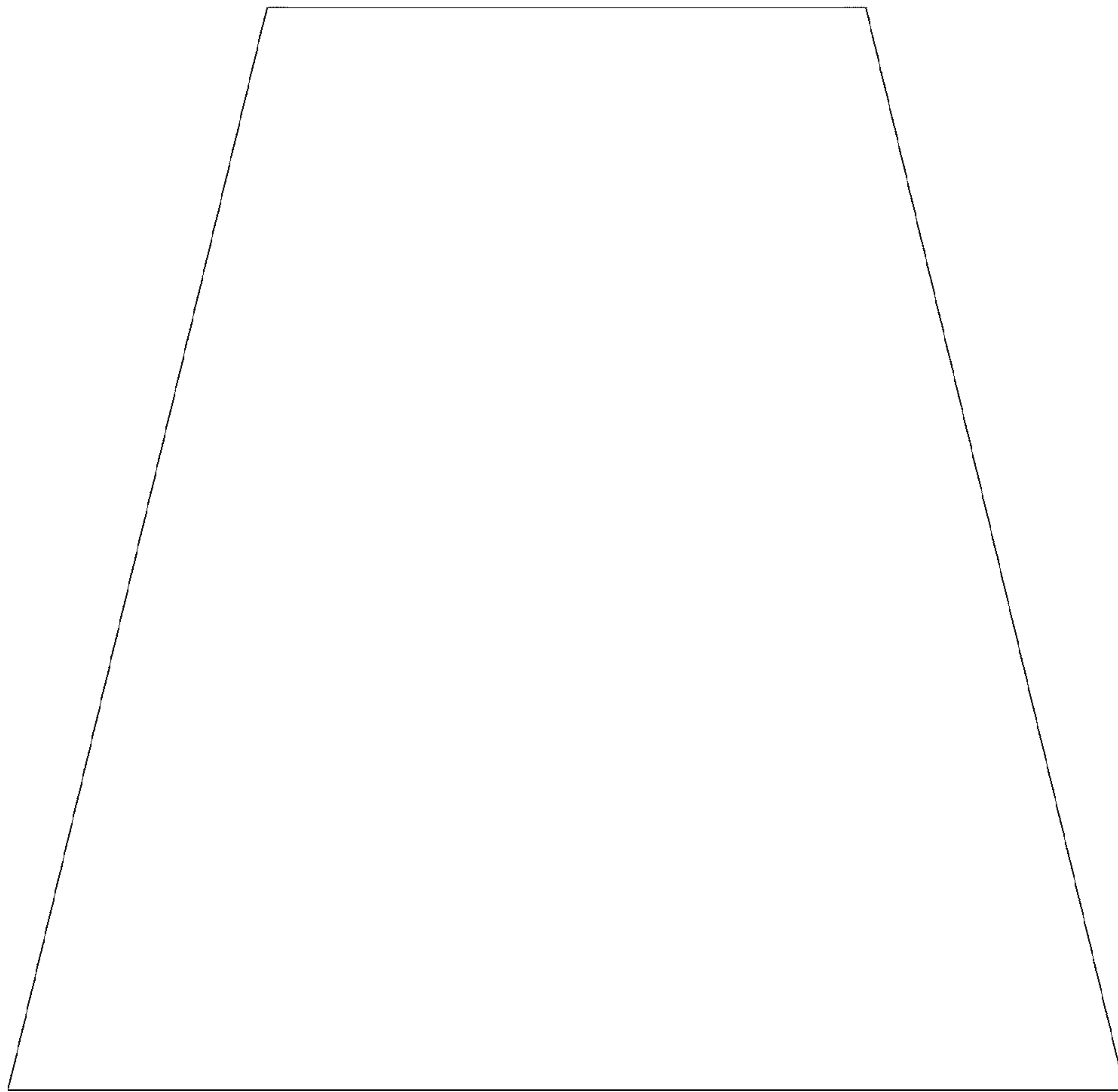


FIG. 4

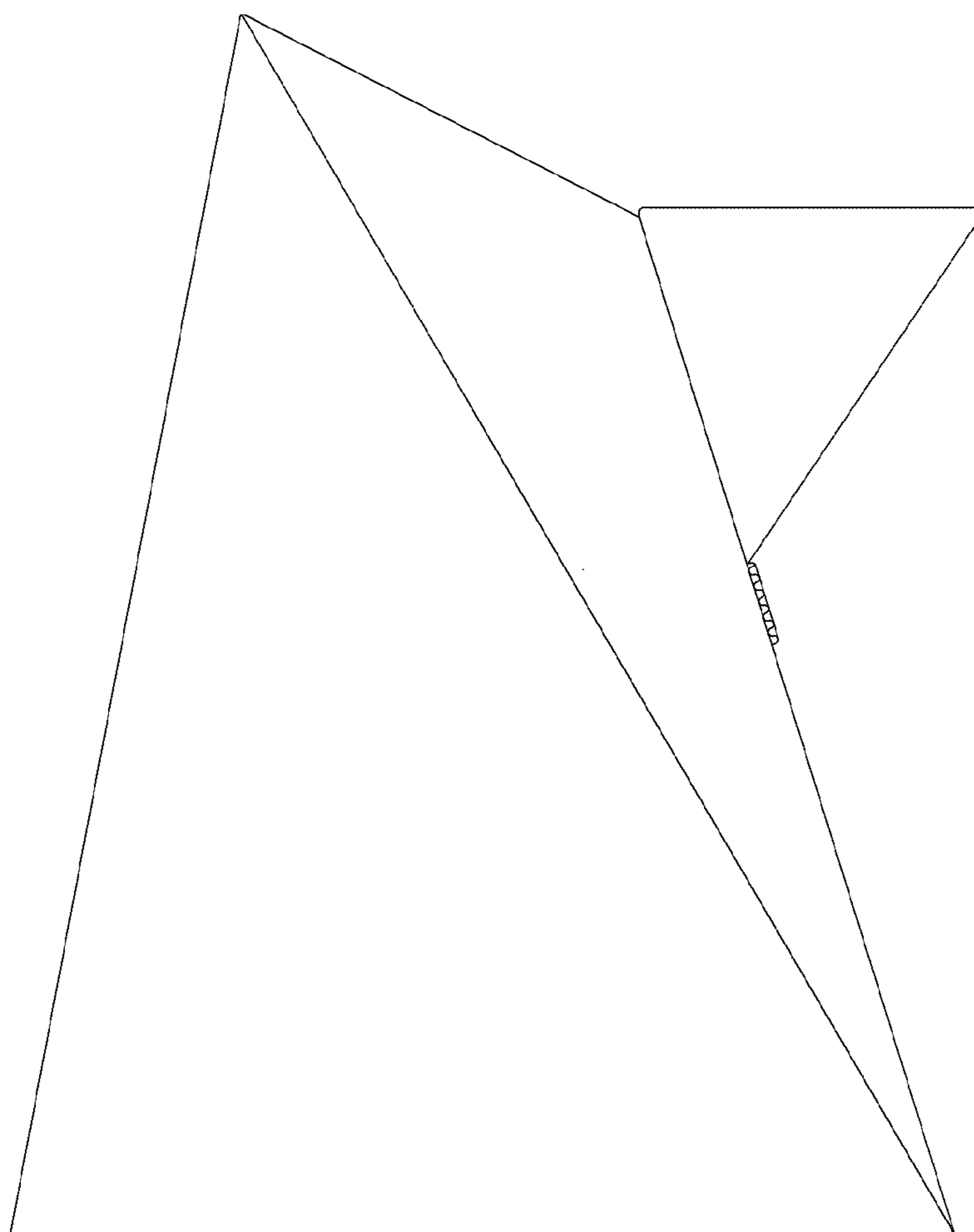


FIG. 5

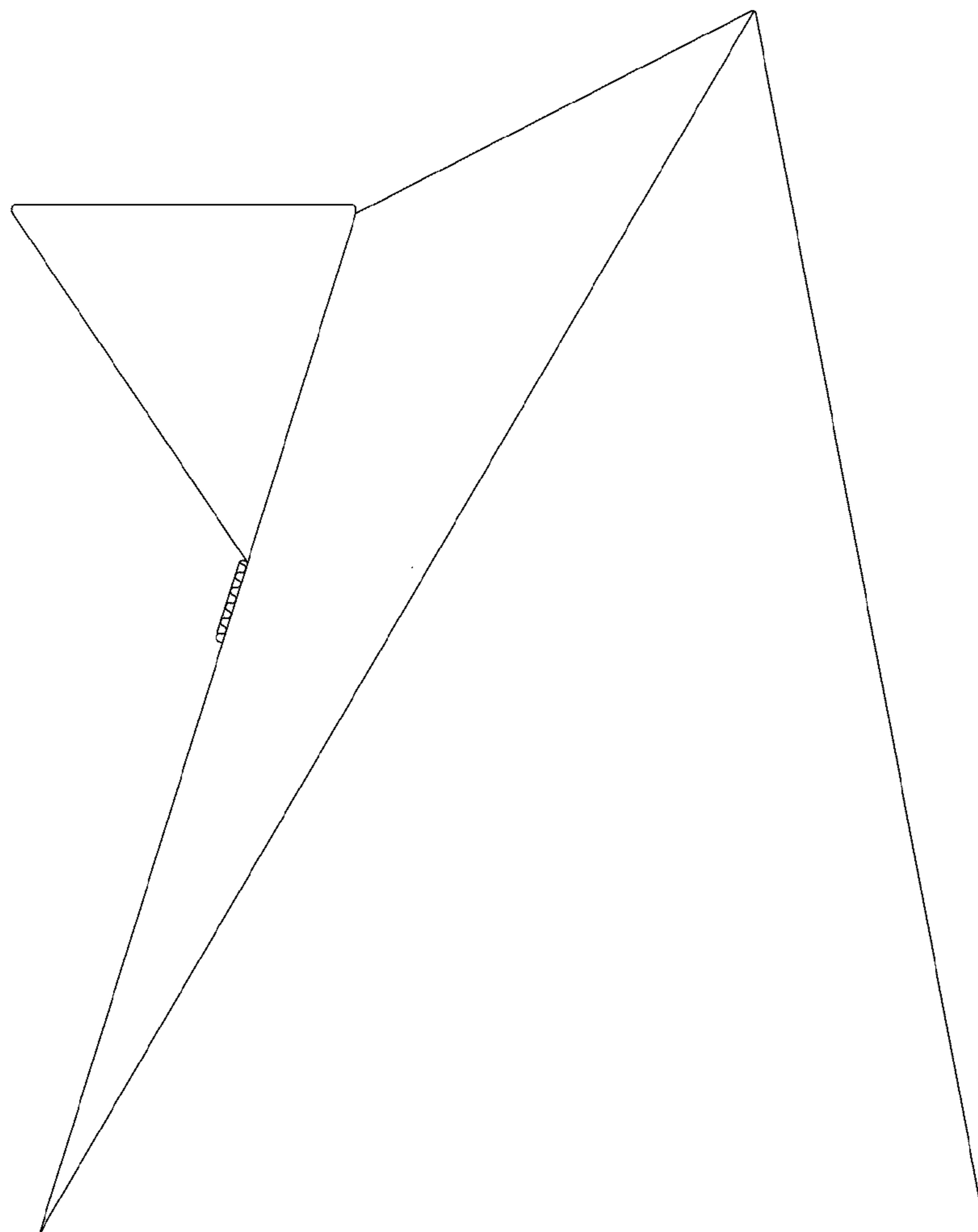


FIG. 6

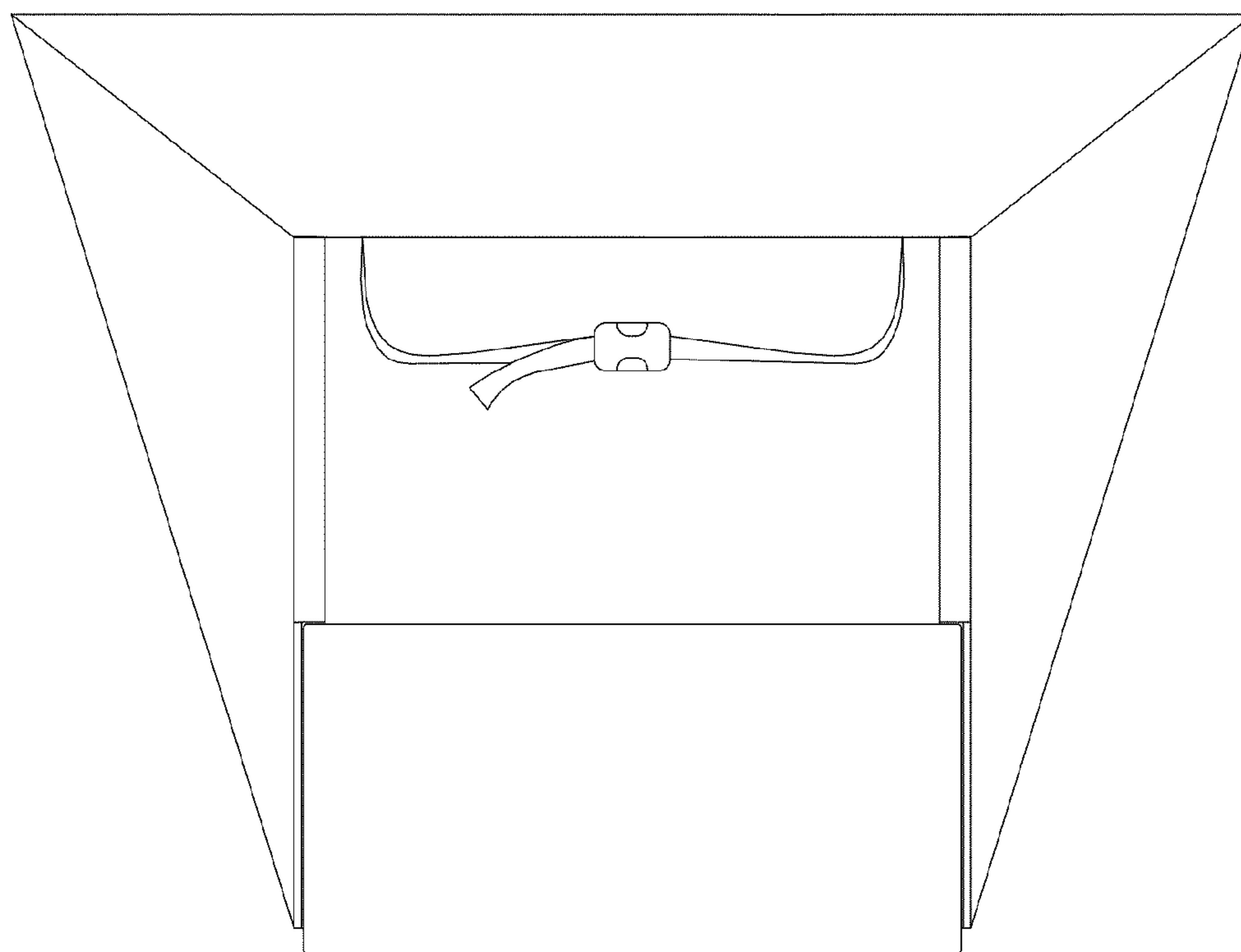


FIG. 7

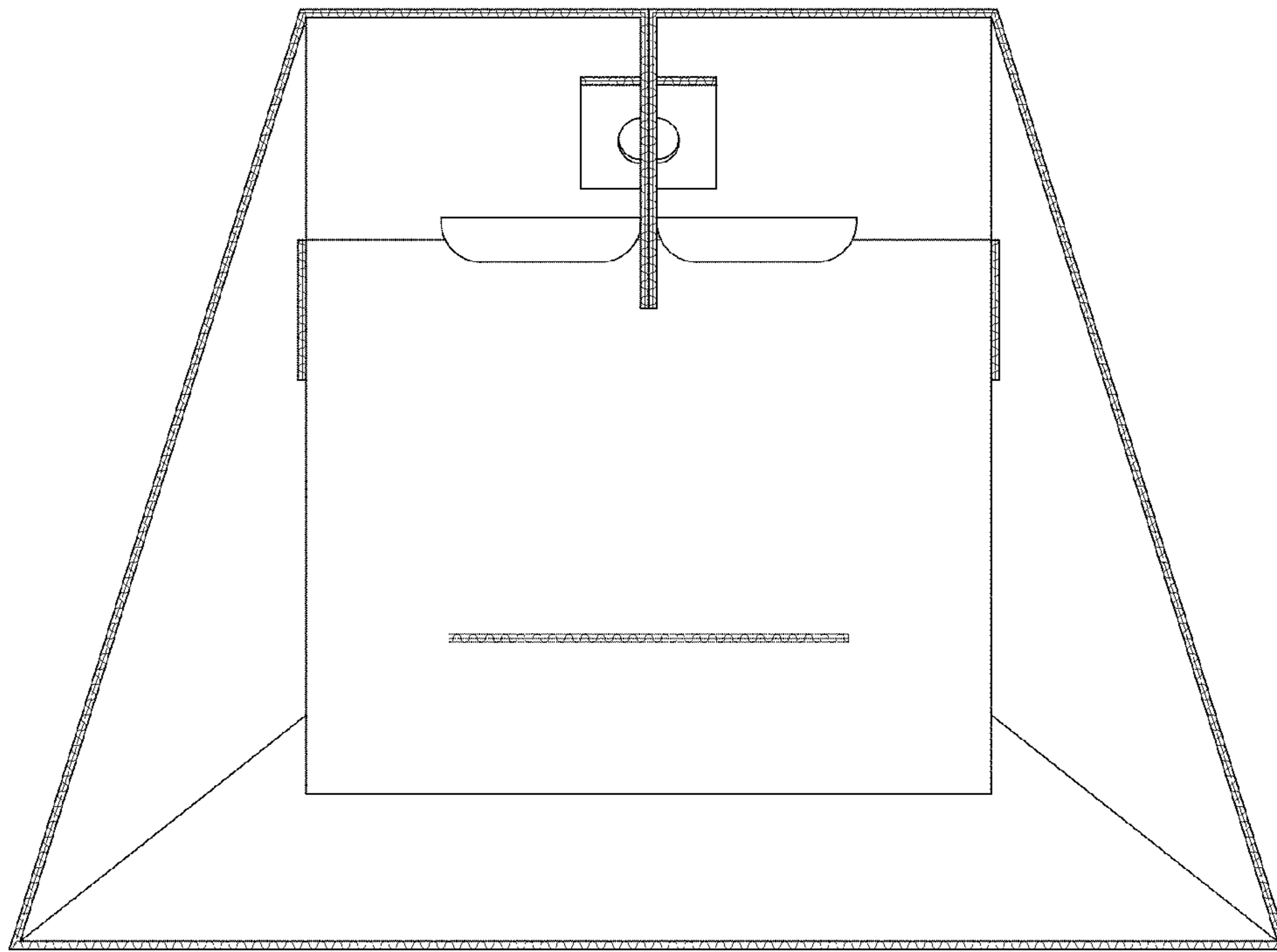


FIG. 8

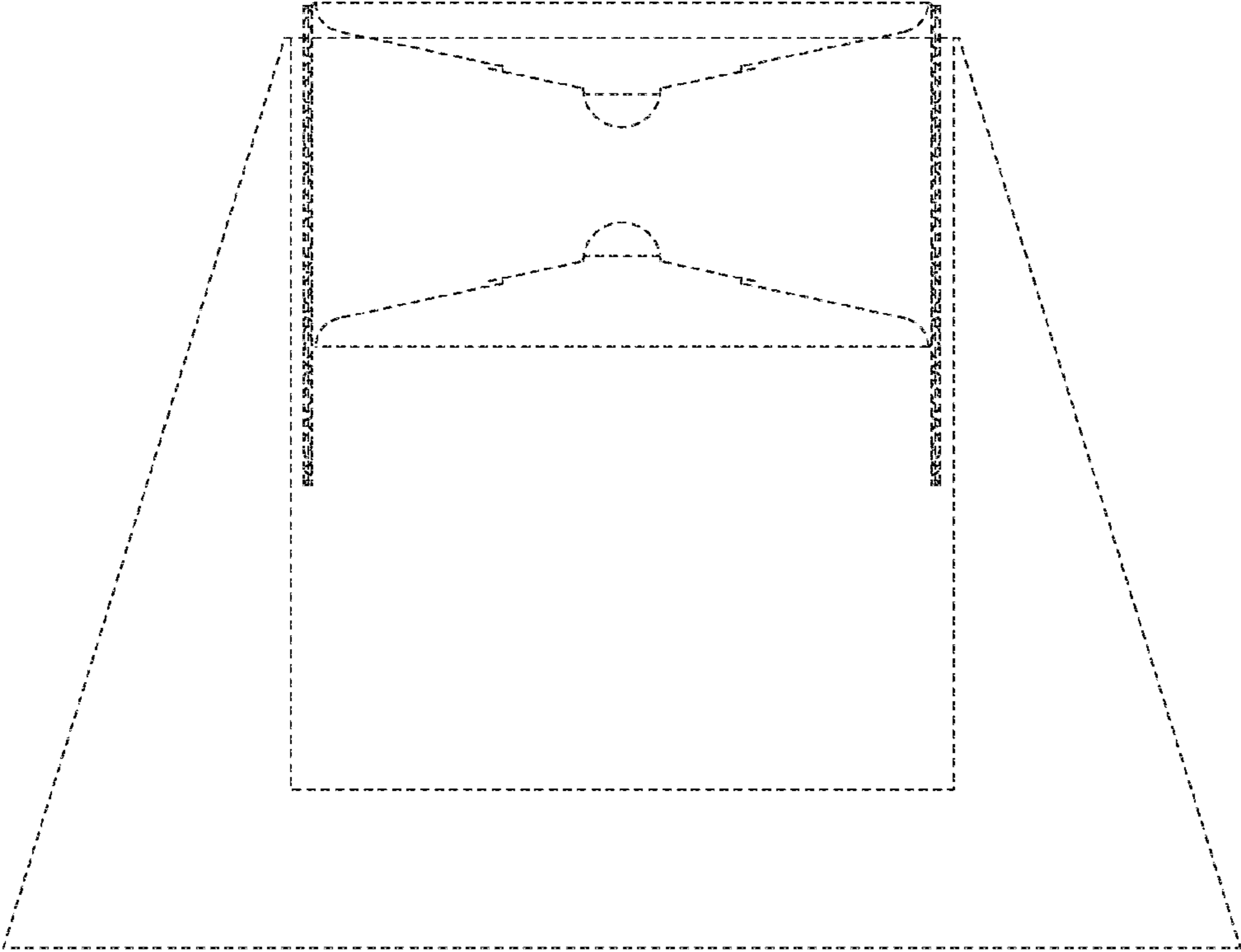


FIG. 9

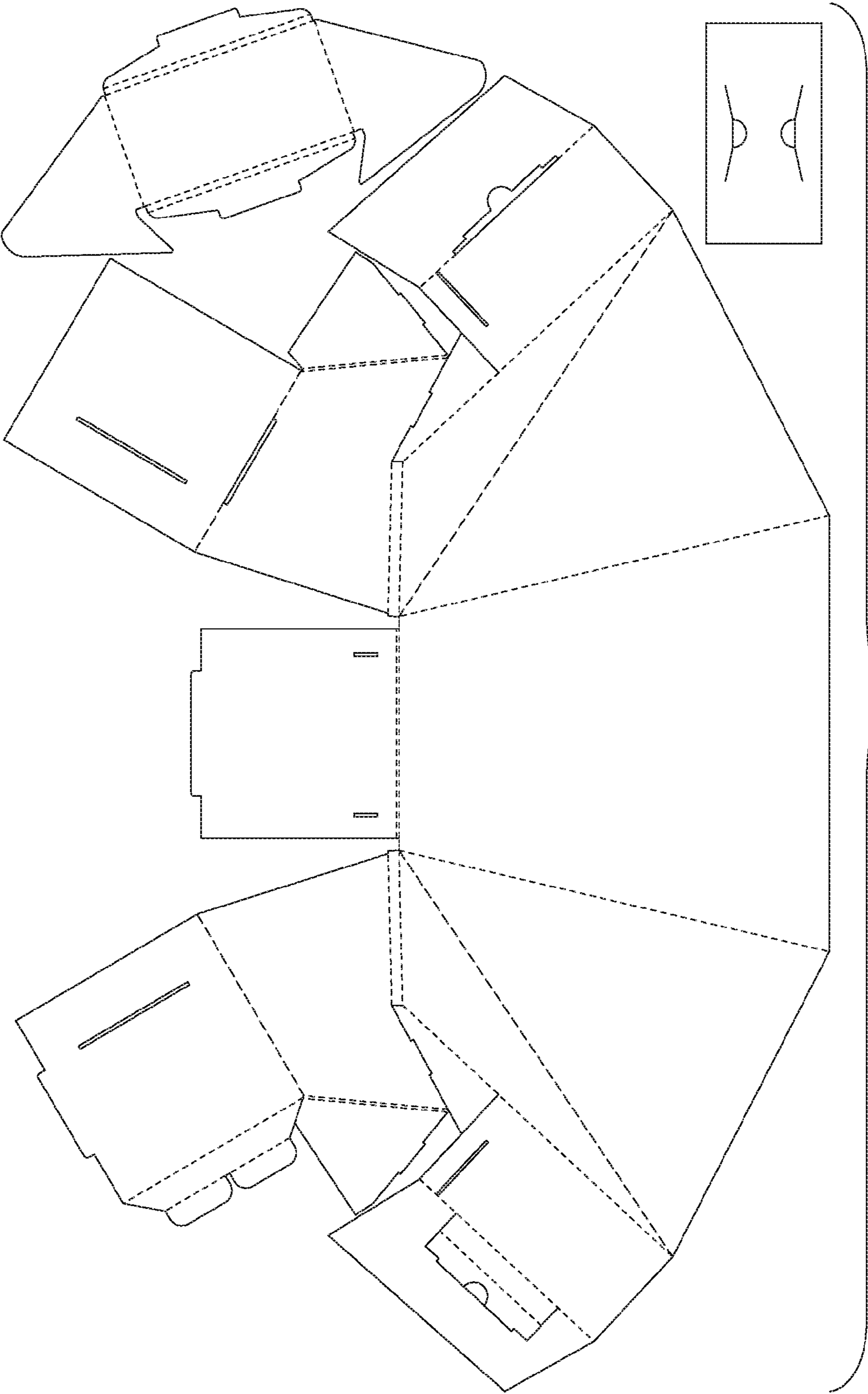


FIG. 10