



US00D650180S

(12) **United States Design Patent**  
**Rooth**

(10) **Patent No.:** **US D650,180 S**

(45) **Date of Patent:** **\*\* Dec. 13, 2011**

(54) **CHILDRENS FIGURINE TABLE AND CHAIR SET**

(76) Inventor: **David L. Rooth**, Larchmont, NY (US)

(\*\*) Term: **14 Years**

(21) Appl. No.: **29/388,529**

(22) Filed: **Mar. 30, 2011**

(51) **LOC (9) Cl.** ..... **06-01**

(52) **U.S. Cl.** ..... **D6/338**

(58) **Field of Classification Search** ..... D6/335,  
D6/336, 337, 338, 339, 349, 350, 351, 352,  
D6/353, 357; 291/118, 119, 134, 135, 158.2,  
291/158.3, 158.5, 170, 174 R; 5/12.1, 12.2  
See application file for complete search history.

(56) **References Cited**

**U.S. PATENT DOCUMENTS**

D68,529	S	10/1925	Graff	
2,019,374	A	10/1935	Weinbaum	
2,461,683	A	2/1949	Dierickx	
D173,910	S *	1/1955	Neusendorf	D6/337
D194,982	S *	4/1963	De La Riva	D6/337
3,334,942	A	8/1967	Breslow	
3,822,078	A *	7/1974	Spadolini	297/140
D243,134	S	1/1977	Downey	
D243,212	S	2/1977	Downey	
4,050,736	A	9/1977	Karp	
4,586,747	A	5/1986	Taylor	
4,909,573	A	3/1990	Barry	
D314,870	S	2/1991	Walsh	
D323,074	S *	1/1992	Michel	D6/337
D356,449	S	3/1995	Frye	
5,865,501	A *	2/1999	Eisenberg et al.	297/158.5
D411,771	S	7/1999	Ellingwood	
6,010,185	A *	1/2000	Petersen	297/158.3
6,045,193	A *	4/2000	Johnson	297/423.41
D430,414	S	9/2000	Aloisi	
6,126,240	A	10/2000	Tse	
D439,060	S *	3/2001	Larsen	D6/337
D456,622	S *	5/2002	Moquin	D6/337
D627,981	S *	11/2010	Shen	D6/338
2007/0290531	A1	12/2007	Larsen	

**OTHER PUBLICATIONS**

[http://3.bp.blogspot.com/\\_uJpdkiH\\_K3M/SGppSOeud3I/AAAAAAAAAArg/DH9JdjEdqBA/s1600-h/fw389\\_cosy\\_corner\\_dining\\_table\\_and\\_chairs\\_set.jpg](http://3.bp.blogspot.com/_uJpdkiH_K3M/SGppSOeud3I/AAAAAAAAAArg/DH9JdjEdqBA/s1600-h/fw389_cosy_corner_dining_table_and_chairs_set.jpg); Cosy Corner Dining Set; Dec. 20, 2010.  
<http://www.thisnext.com/item/C9C8B601/AE7FFC97/Corner-Dining-Room-Chairs>; This Next; Dec. 20, 2010.  
[http://www.furniturestoreblog.com/2009/01/18/furniture\\_fashion\\_home\\_furnishings\\_and\\_products\\_review.html](http://www.furniturestoreblog.com/2009/01/18/furniture_fashion_home_furnishings_and_products_review.html); Furniture Fashion; Dec. 20, 2010.

\* cited by examiner

*Primary Examiner* — Sandra Snapp  
(74) *Attorney, Agent, or Firm* — Neustel Law Offices

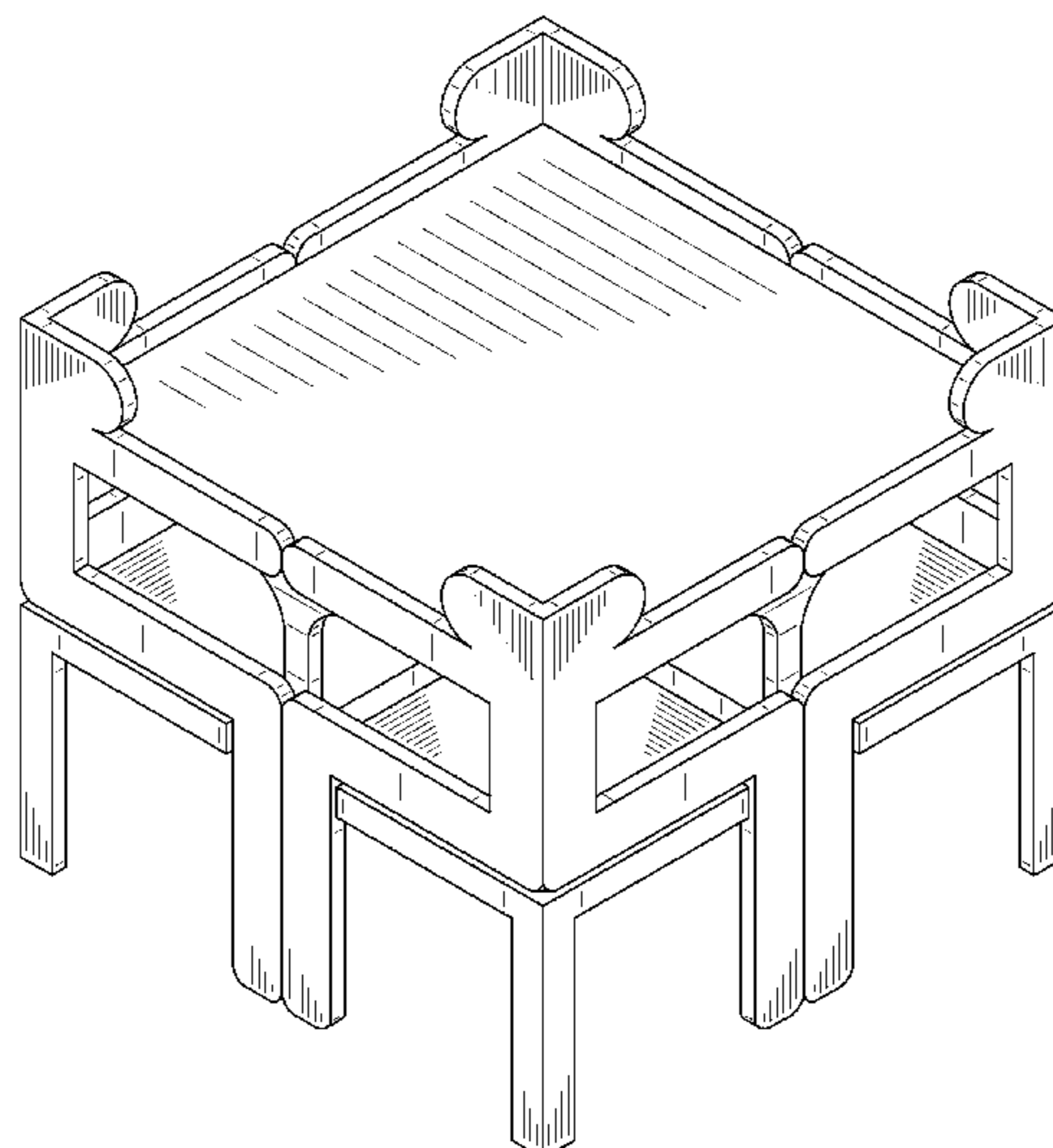
(57) **CLAIM**

The ornamental design for a childrens figurine table and chair set, as shown and described.

**DESCRIPTION**

FIG. 1 is an upper perspective view of a childrens figurine table and chair set showing my new design.  
FIG. 2 is a partially exploded upper perspective view of a childrens figurine table and chair set showing my new design.  
FIG. 3 is a top plan view of the childrens figurine table and chair set showing my new design.  
FIG. 4 is a bottom plan view of a childrens figurine table and chair set showing my new design.  
FIG. 5 is a front elevation view of a childrens figurine table and chair set showing my new design.  
FIG. 6 is a rear elevation view of a childrens figurine table and chair set showing my new design.  
FIG. 7 is a left side elevation view of a childrens figurine table and chair set showing my new design; and,  
FIG. 8 is a right side elevation view of a childrens figurine table and chair set showing my new design.  
Any shading and cross-hatching are not features of the design but are utilized to illustrate the surface contours of the childrens figurine table and chair set in the drawings.

**1 Claim, 8 Drawing Sheets**



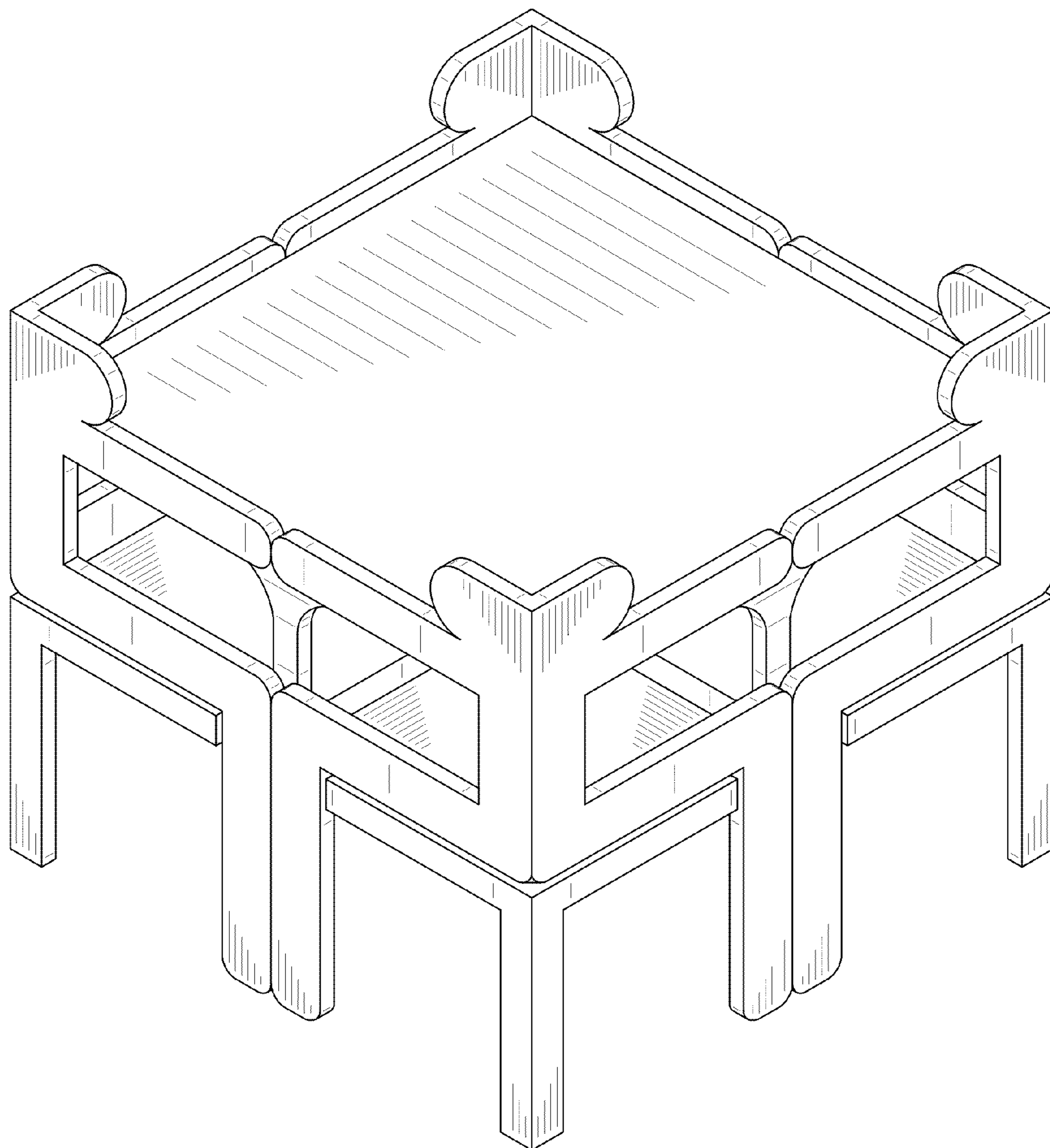


FIG. 1

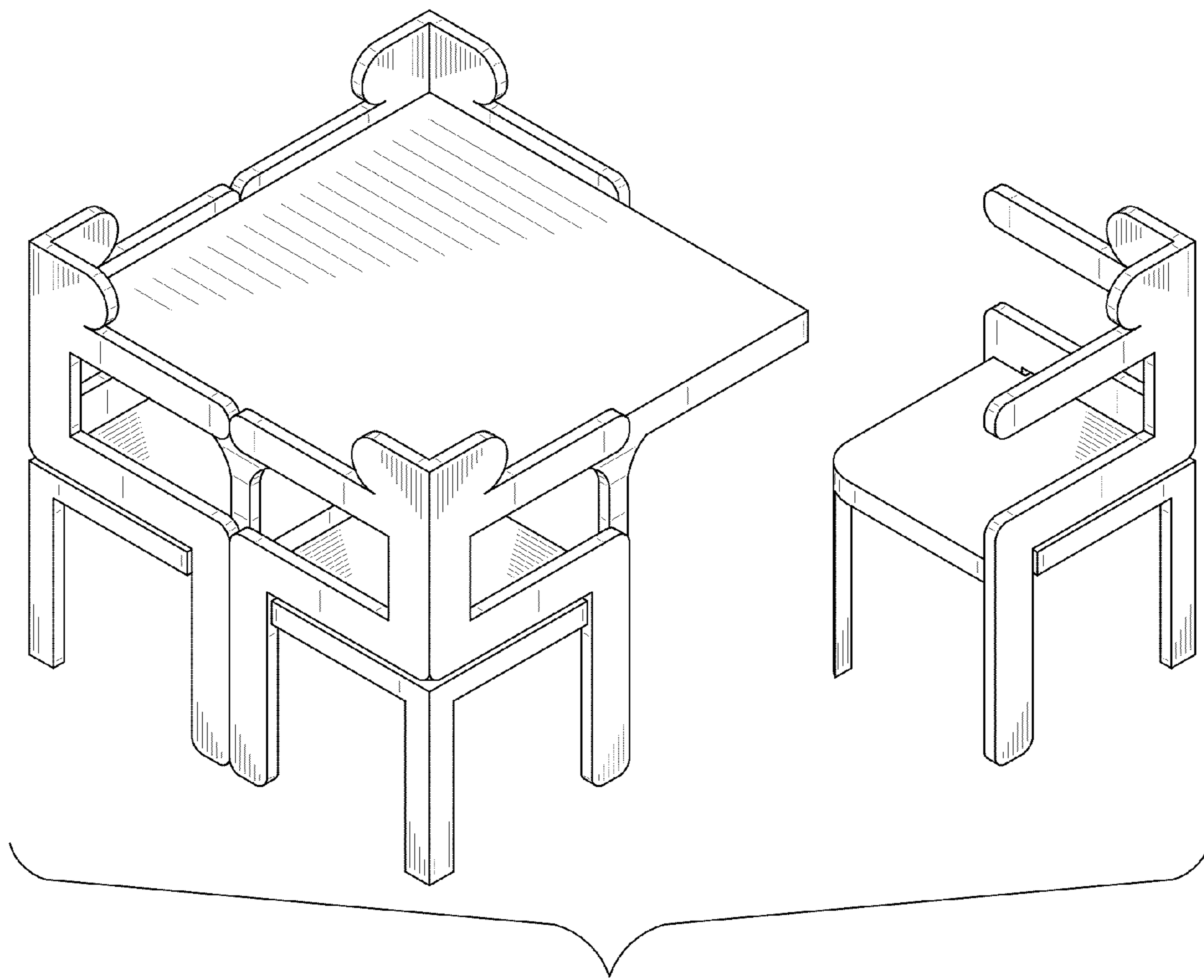


FIG. 2

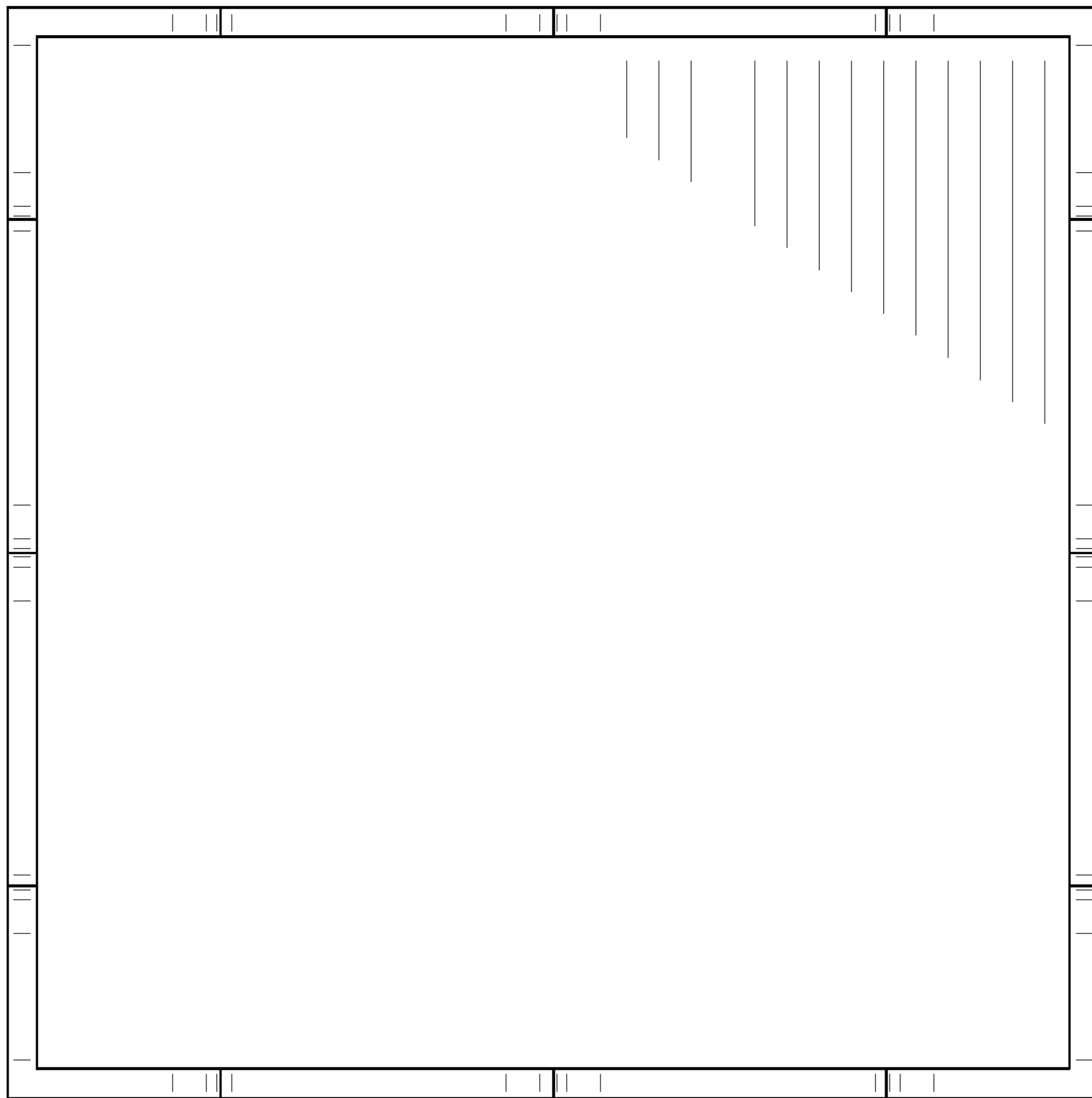


FIG. 3

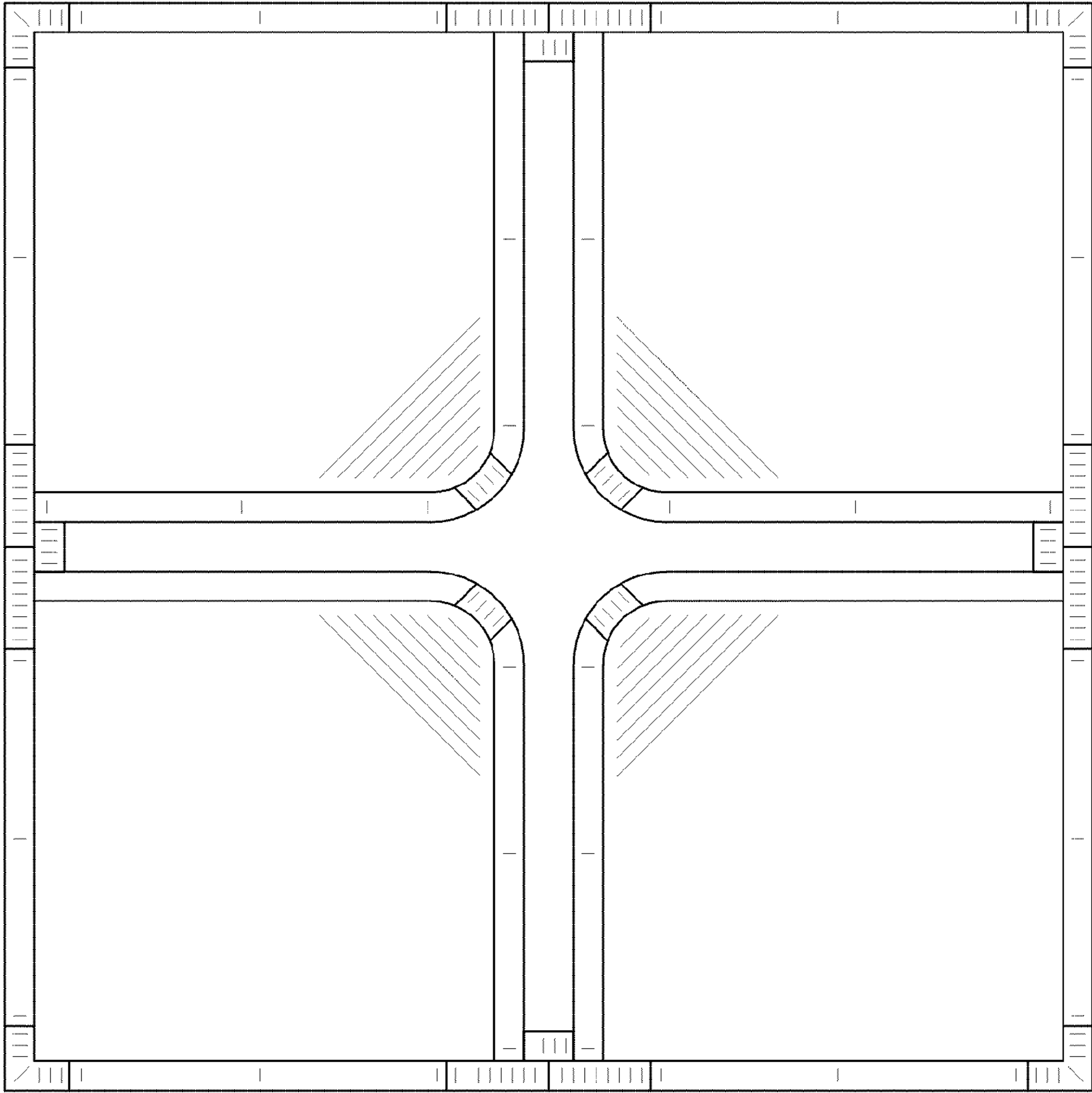


FIG. 4

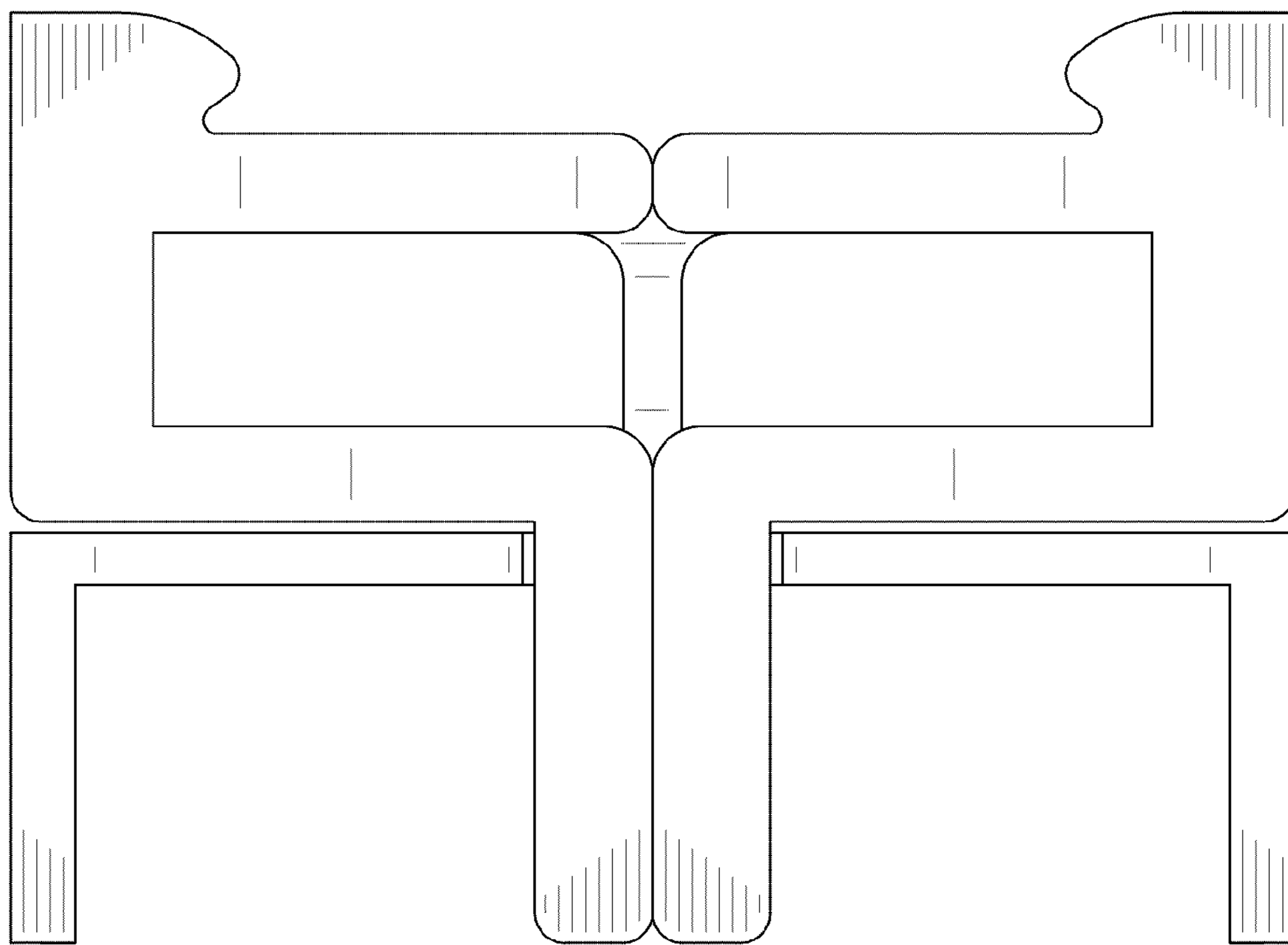


FIG. 5

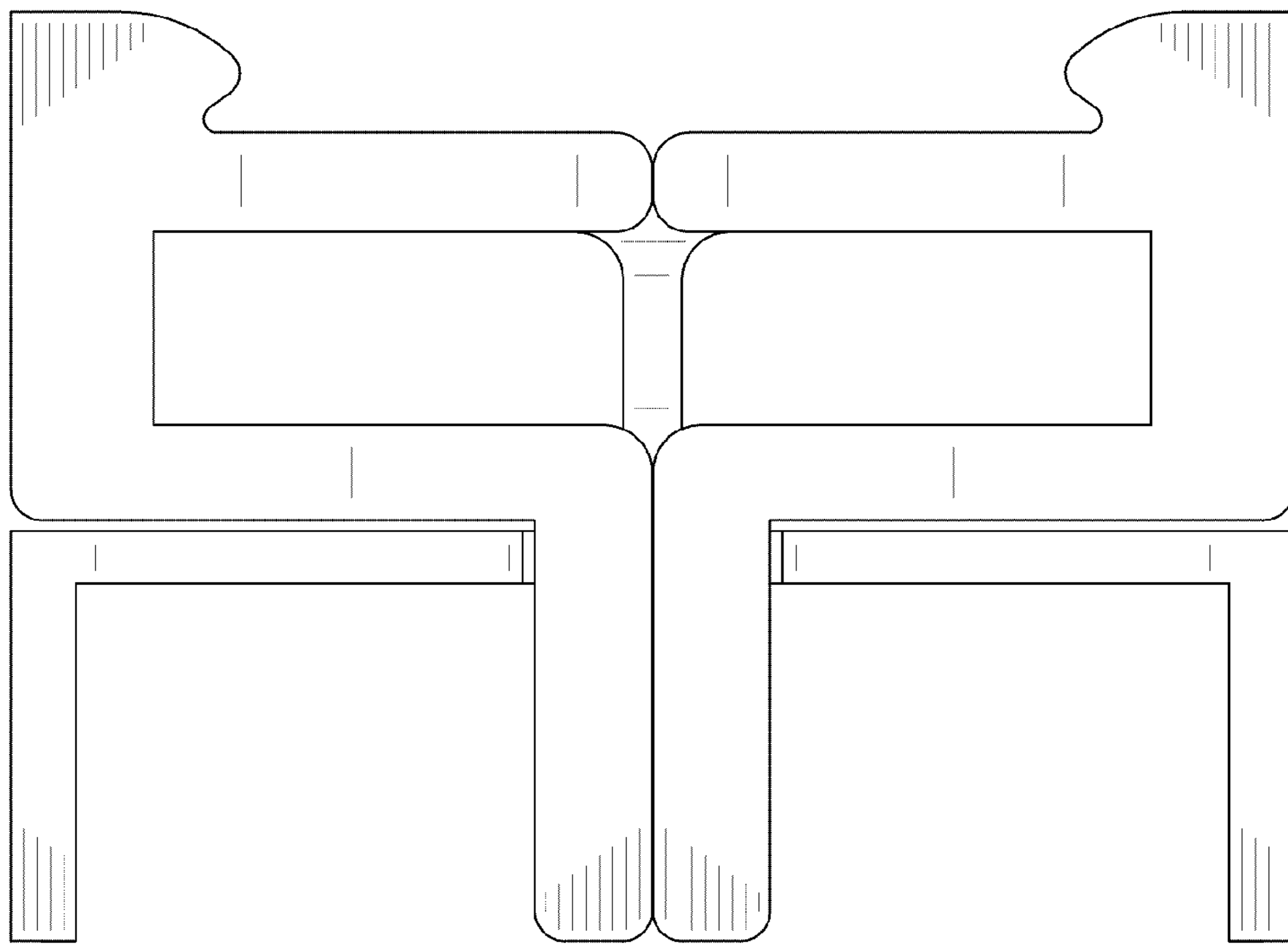


FIG. 6

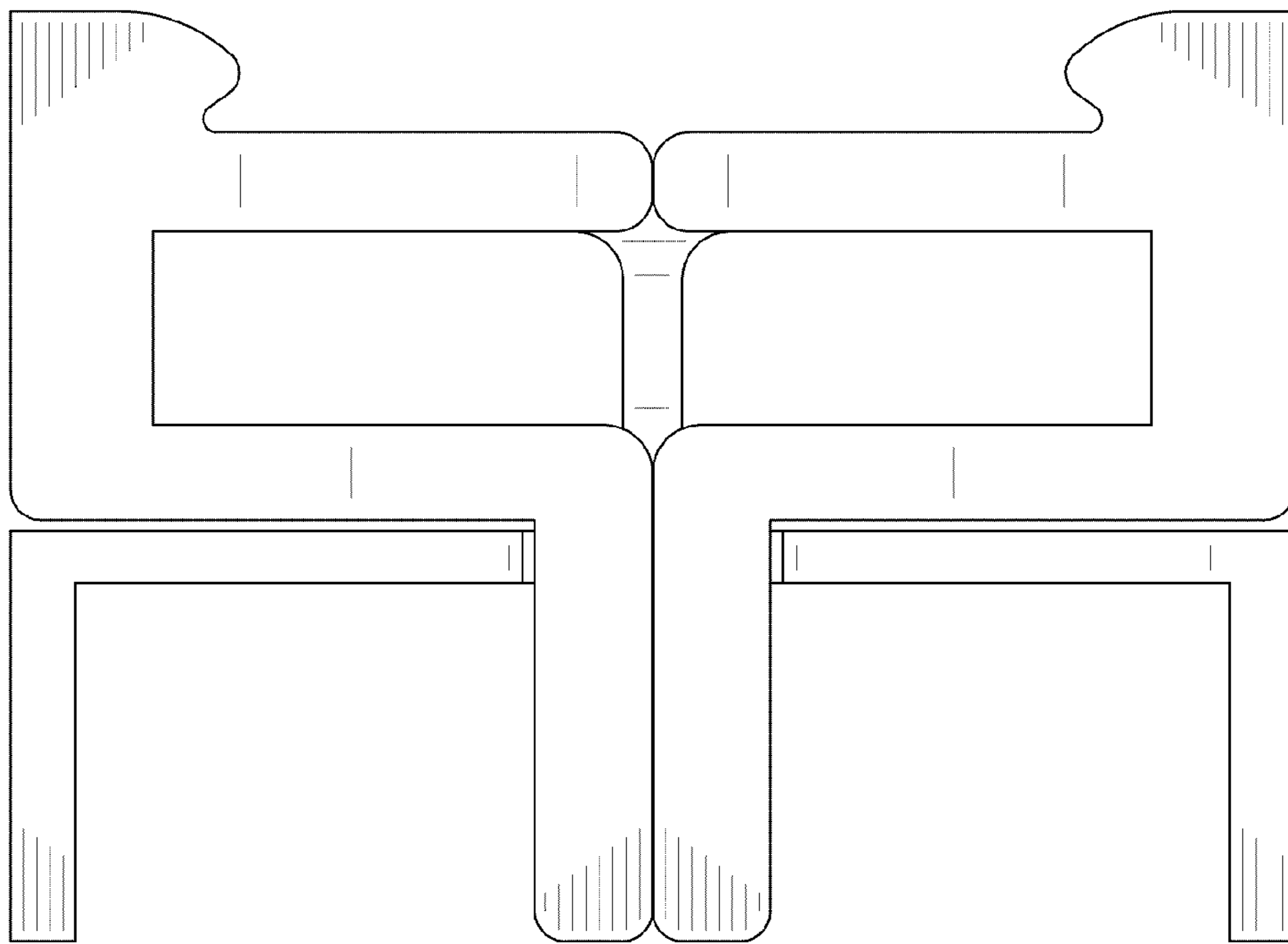


FIG. 7



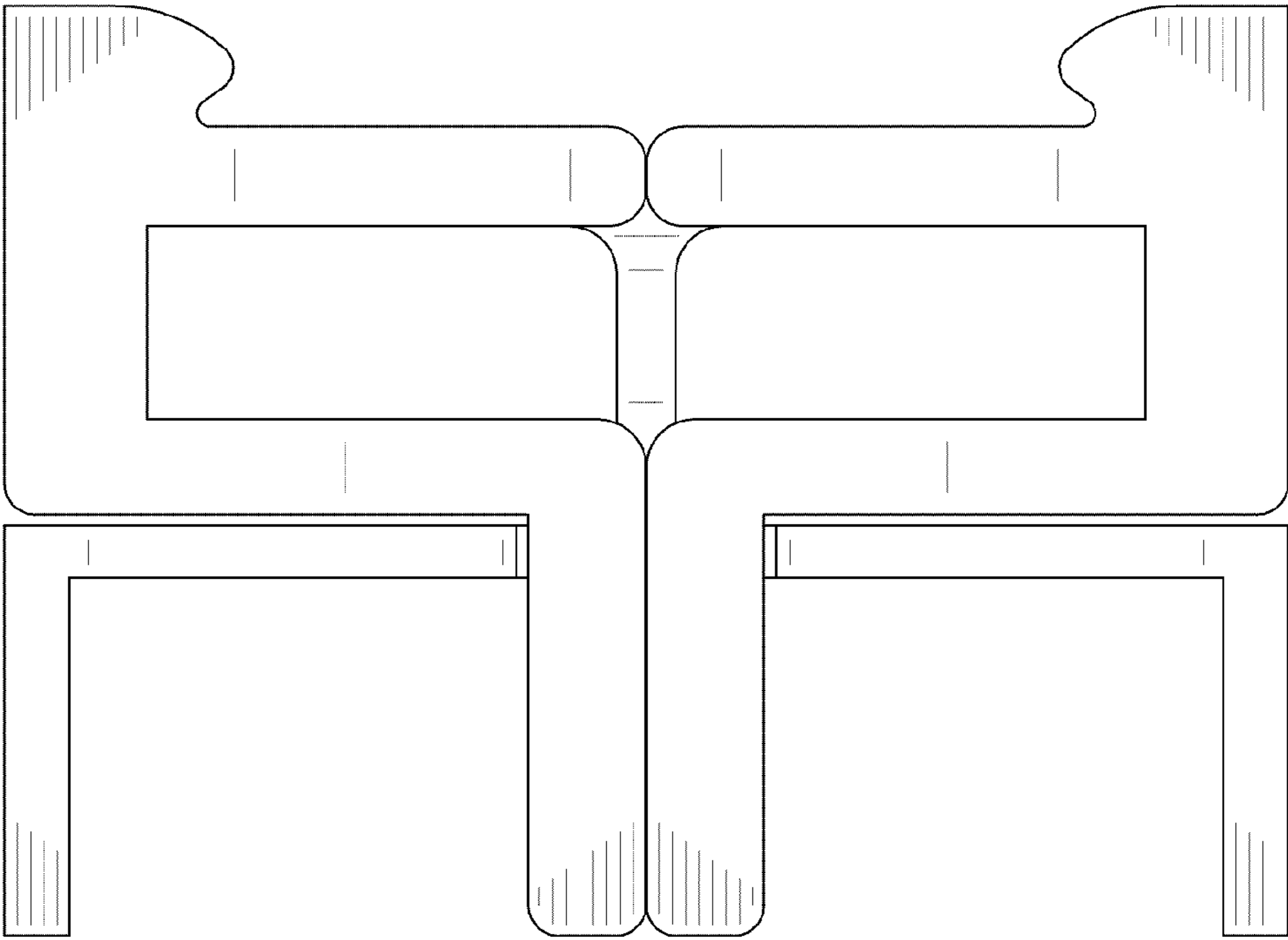


FIG. 8