



US00D650179S

(12) **United States Design Patent**
Rooth

(10) **Patent No.:** **US D650,179 S**
(45) **Date of Patent:** **** Dec. 13, 2011**

(54) **CHILDRENS FIGURINE TABLE AND CHAIR SET**

(76) Inventor: **David Rooth**, Larchmont, NY (US)

(**) Term: **14 Years**

(21) Appl. No.: **29/388,528**

(22) Filed: **Mar. 30, 2011**

(51) **LOC (9) Cl.** **06-01**

(52) **U.S. Cl.** **D6/338**

(58) **Field of Classification Search** D6/335,
D6/336, 337, 338, 339, 349, 350, 351, 352,
D6/353, 357; 291/118, 119, 134, 135, 158.2,
291/158.3, 158.5, 170, 174 R; 5/12.1, 12.2
See application file for complete search history.

(56) **References Cited**

U.S. PATENT DOCUMENTS

D685,529	10/1925	Graff	
2,019,374 A	10/1935	Weinbaum	
2,461,683 A	2/1949	Dierickx	
D173,910 S *	1/1955	Neusendorf	D6/337
D194,982 S *	4/1963	De La Riva	D6/337
3,334,942 A	8/1967	Breslow	
3,822,078 A *	7/1974	Spadolini	297/140
D243,134 S	1/1977	Downey	
D243,212 S	2/1977	Downey	
4,050,736 A	9/1977	Karp	
4,586,747 A	5/1986	Taylor	
4,909,573 A	3/1990	Barry	
D314,870 S	2/1991	Walsh	
D323,074 S *	1/1992	Michel	D6/337
D356,449 S	3/1995	Frye	
5,865,501 A *	2/1999	Eisenberg et al.	297/158.5
D411,771 S	7/1999	Ellingwood	
6,010,185 A *	1/2000	Petersen	297/158.3
6,045,193 A *	4/2000	Johnson	297/423.41
D430,414 S	9/2000	Aloisi	
6,126,240 A	10/2000	Tse	
D439,060 S *	3/2001	Larsen	D6/337
D456,622 S *	5/2002	Moquin	D6/337
D627,981 S *	11/2010	Shen	D6/338
2007/0290531 A1	12/2007	Larsen	

OTHER PUBLICATIONS

http://3.bp.blogspot.com/_uJpdkiH_K3M/SGppSOeud31/AAAAAAAAAArg/DH9JdjEdqBA/s1600-h/fw389_cosy_corner_dining_table_and_chairs_set.jpg; Cosy Corner Dining Set; Dec. 20, 2010.
<http://www.thisnext.com/item/C9C8B601/AE7FFC97/Corner-Dining-Room-Chairs>; This Next; Dec. 20, 2010.
http://www.furniturestoreblog.com/2009/01/18/furniture_fashion_home_furnishings_and_products_review.html; Furniture Fashion; Dec. 20, 2010.

* cited by examiner

Primary Examiner — Sandra Snapp
(74) *Attorney, Agent, or Firm* — Neustel Law Offices

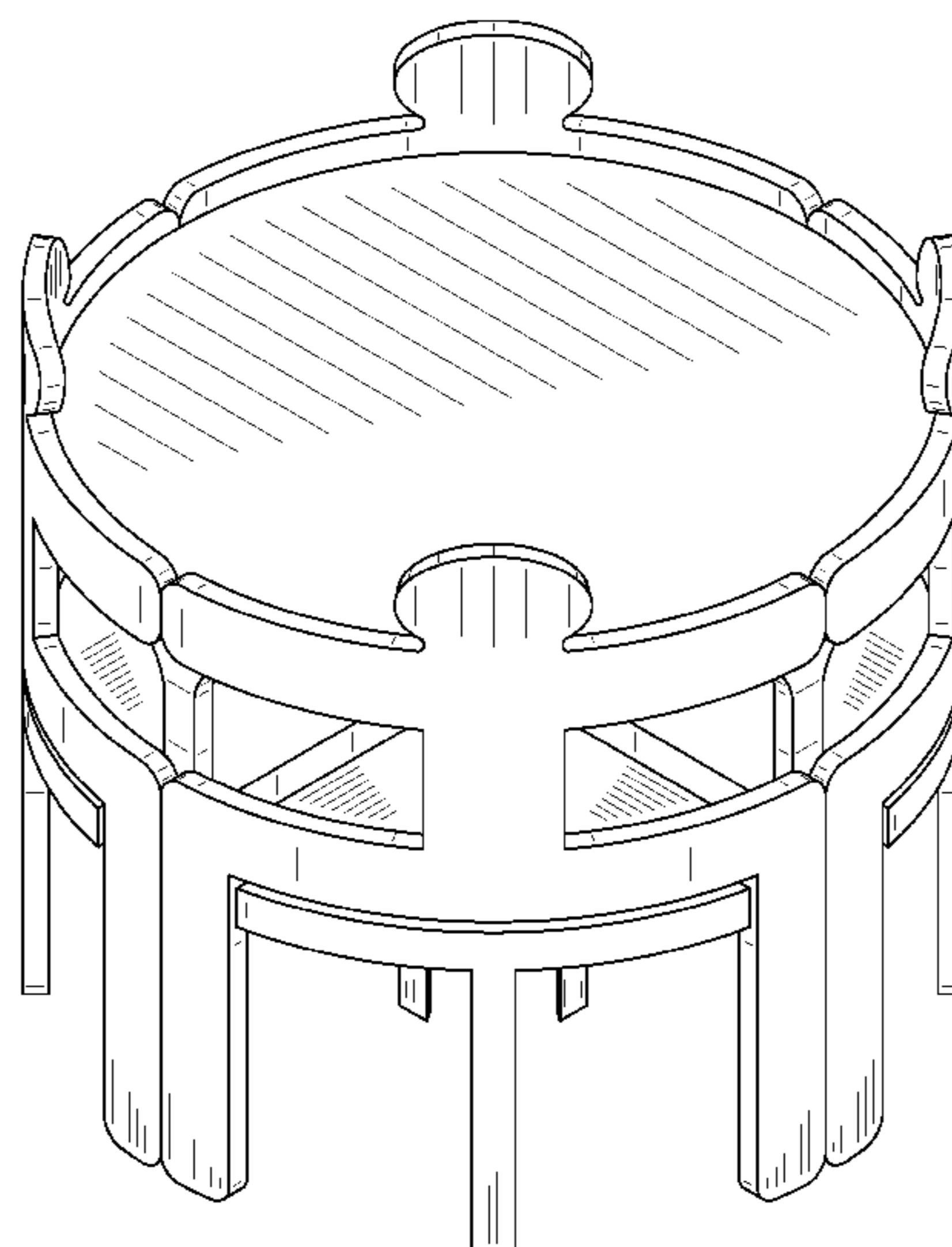
(57) **CLAIM**

The ornamental design for a childrens figurine table and chair, set as shown and described.

DESCRIPTION

FIG. 1 is an upper perspective view of a childrens figurine table and chair set showing my new design.
FIG. 2 is a partially exploded upper perspective view of a childrens figurine table and chair set showing my new design.
FIG. 3 is a top plan view of the childrens figurine table and chair set showing my new design.
FIG. 4 is a bottom plan view of a childrens figurine table and chair set showing my new design.
FIG. 5 is a front elevation view of a childrens figurine table and chair set showing my new design.
FIG. 6 is a rear elevation view of a childrens figurine table and chair set showing my new design.
FIG. 7 is a left side elevation view of a childrens figurine table and chair set showing my new design; and,
FIG. 8 is a right side elevation view of a childrens figurine table and chair set showing my new design.
Any shading and cross-hatching are not features of the design but are utilized to illustrate the surface contours of the childrens figurine table and chair set in the drawings.

1 Claim, 8 Drawing Sheets



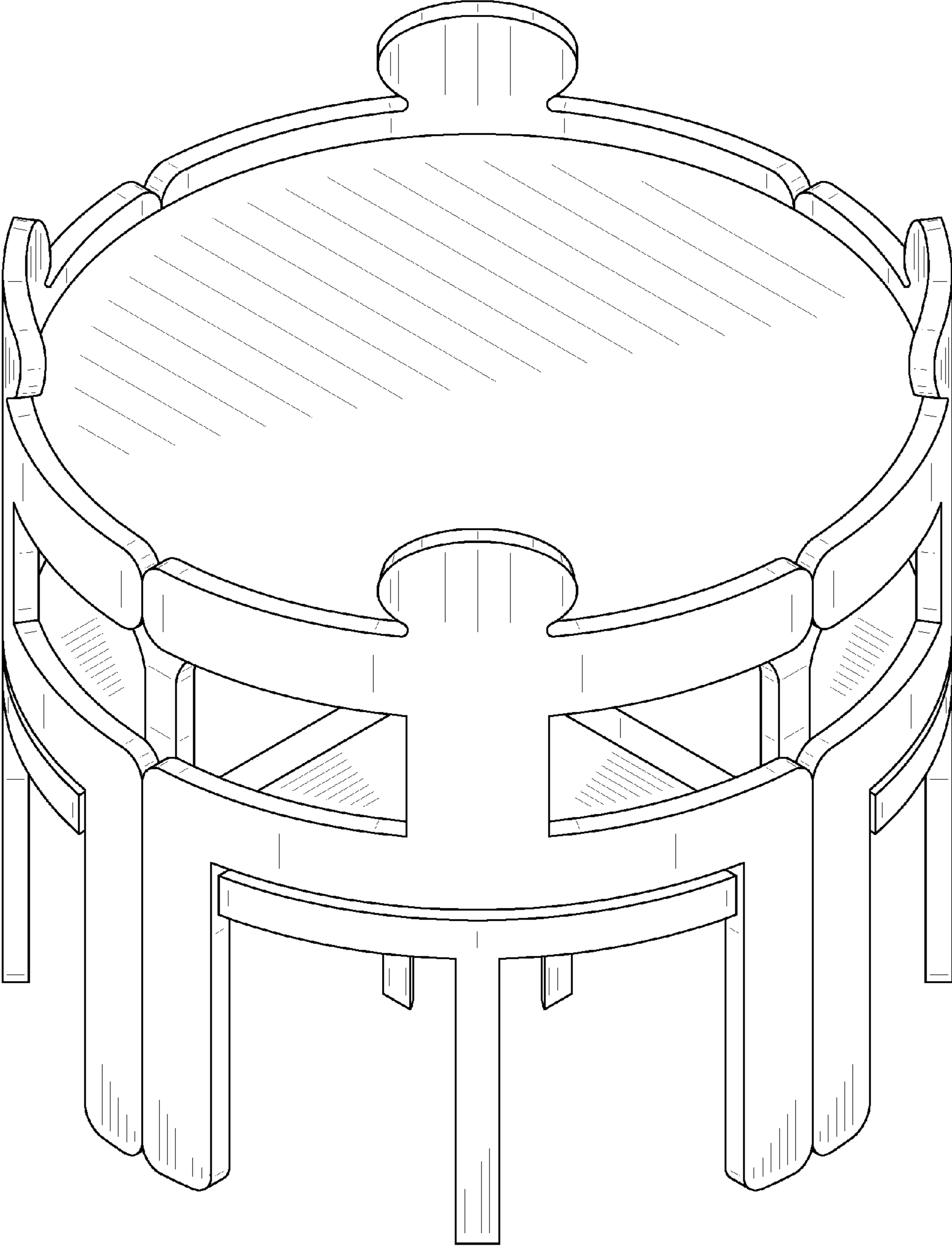


FIG. 1

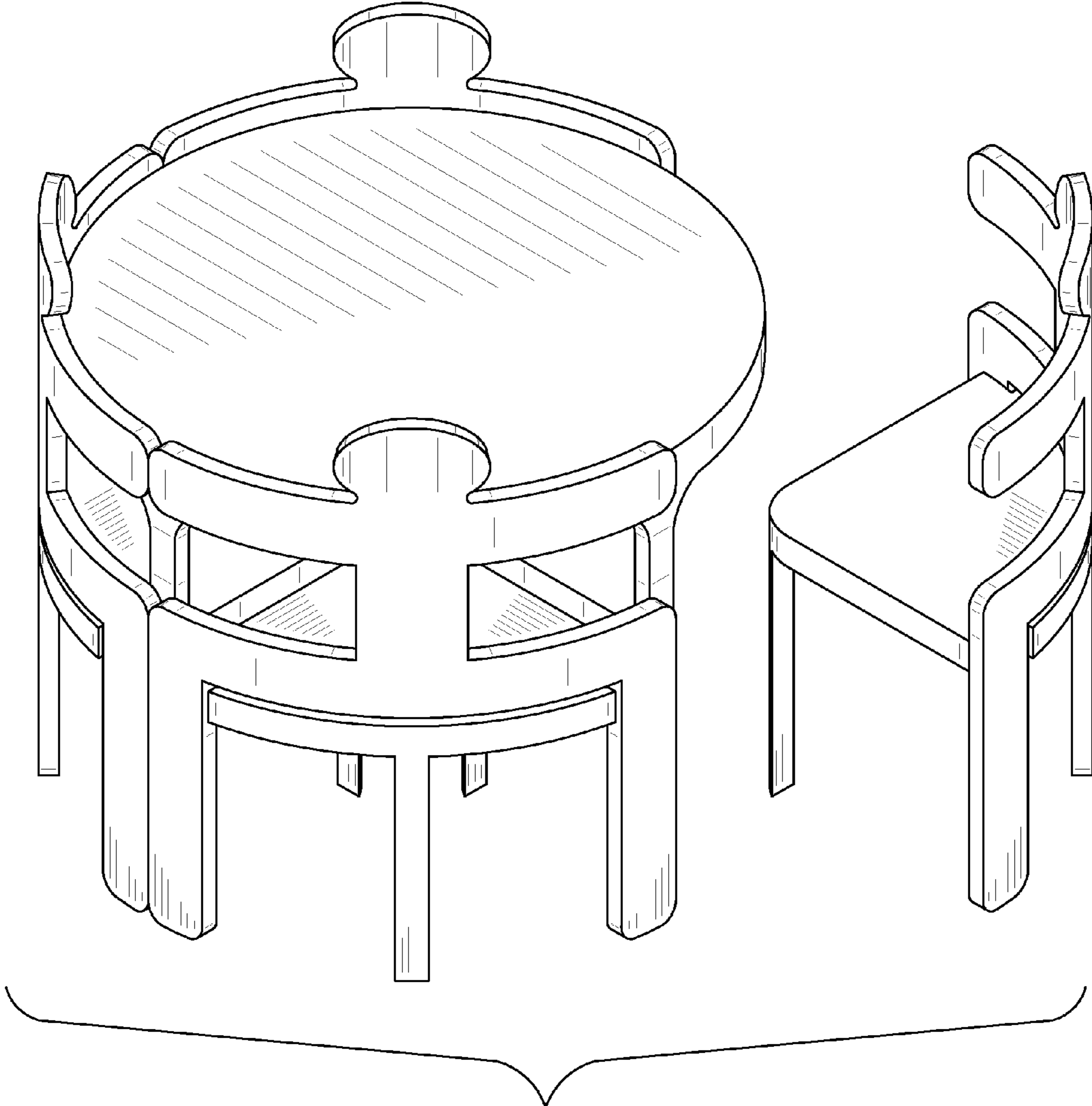


FIG. 2

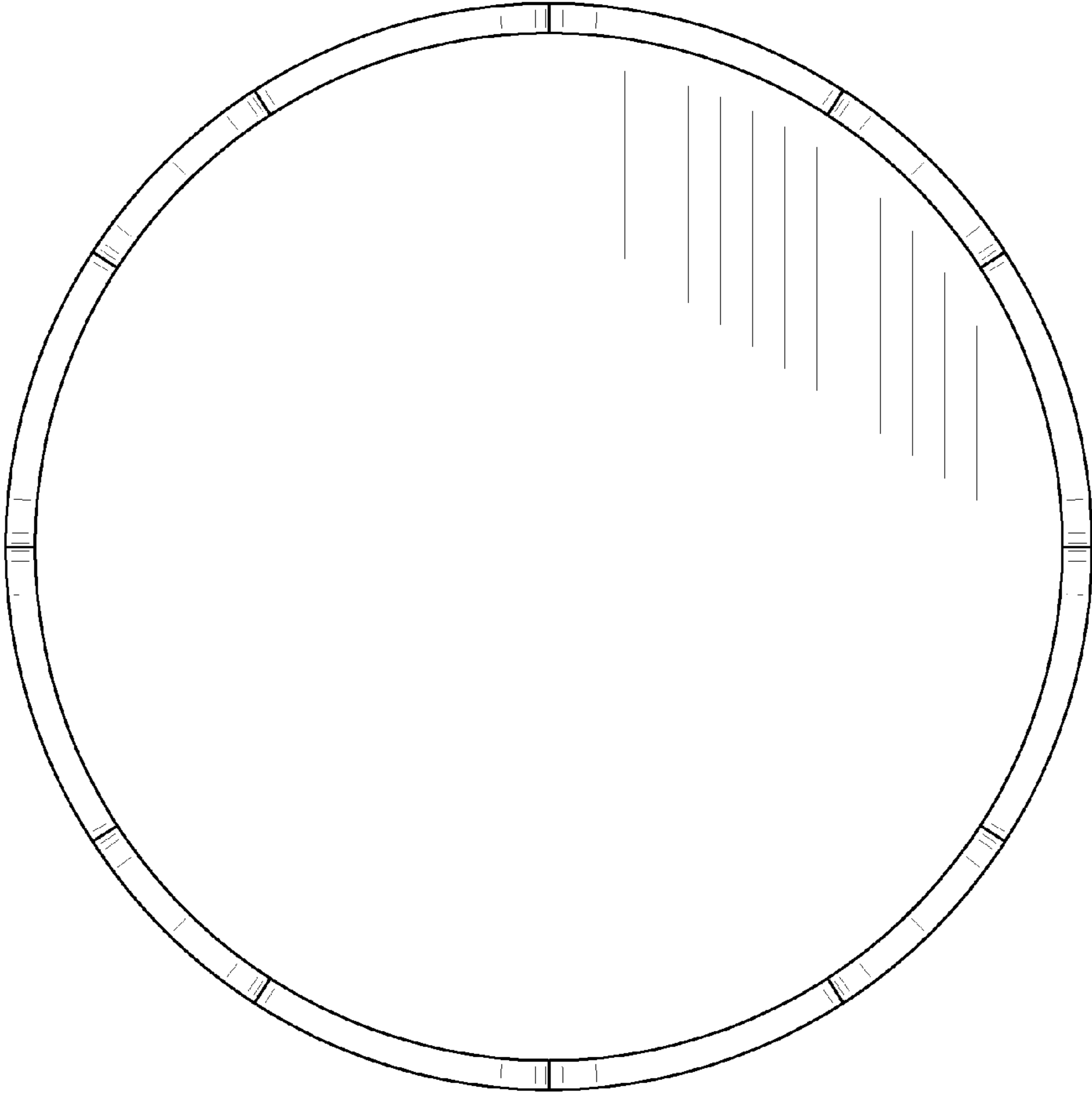


FIG. 3

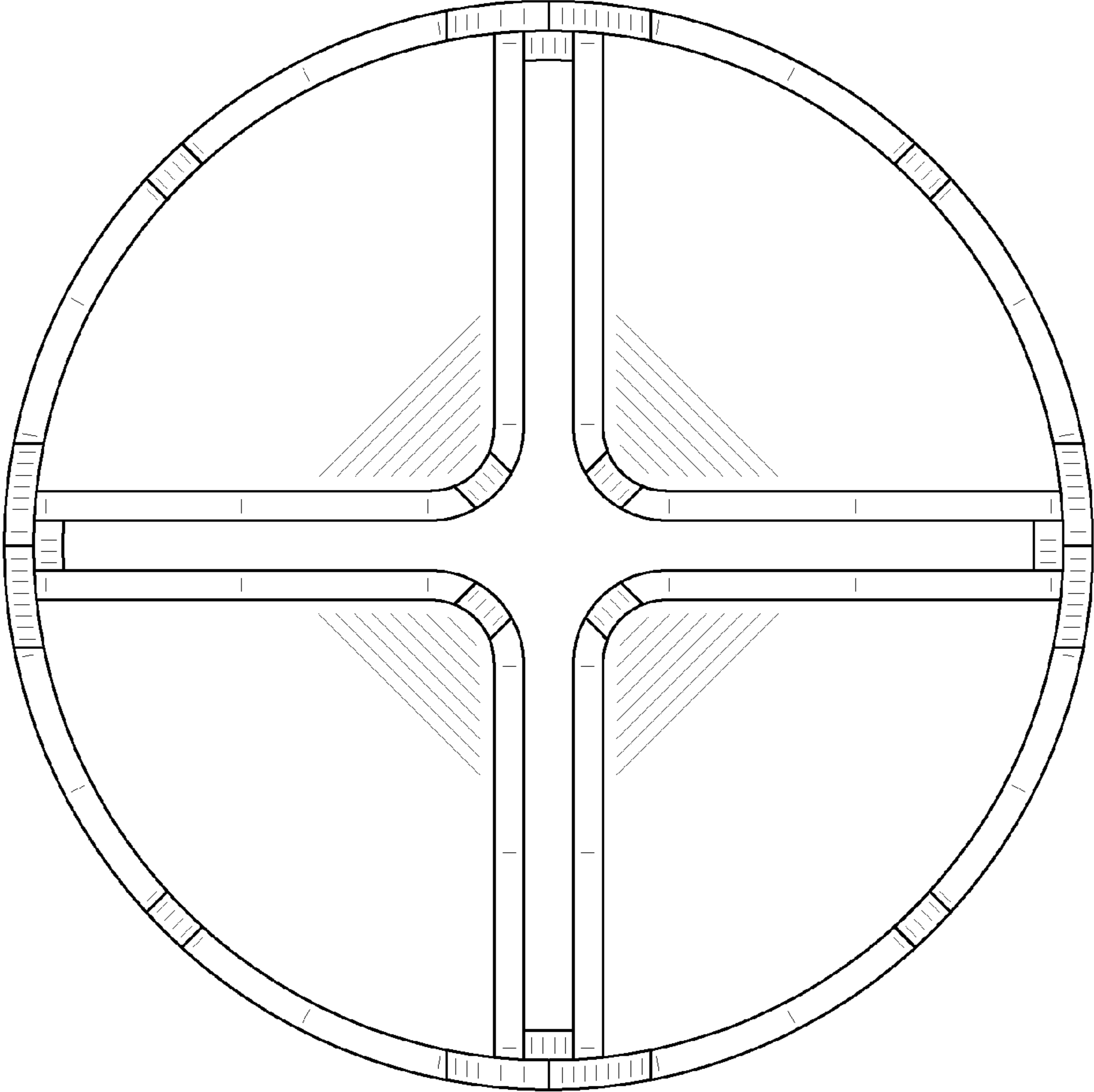


FIG. 4

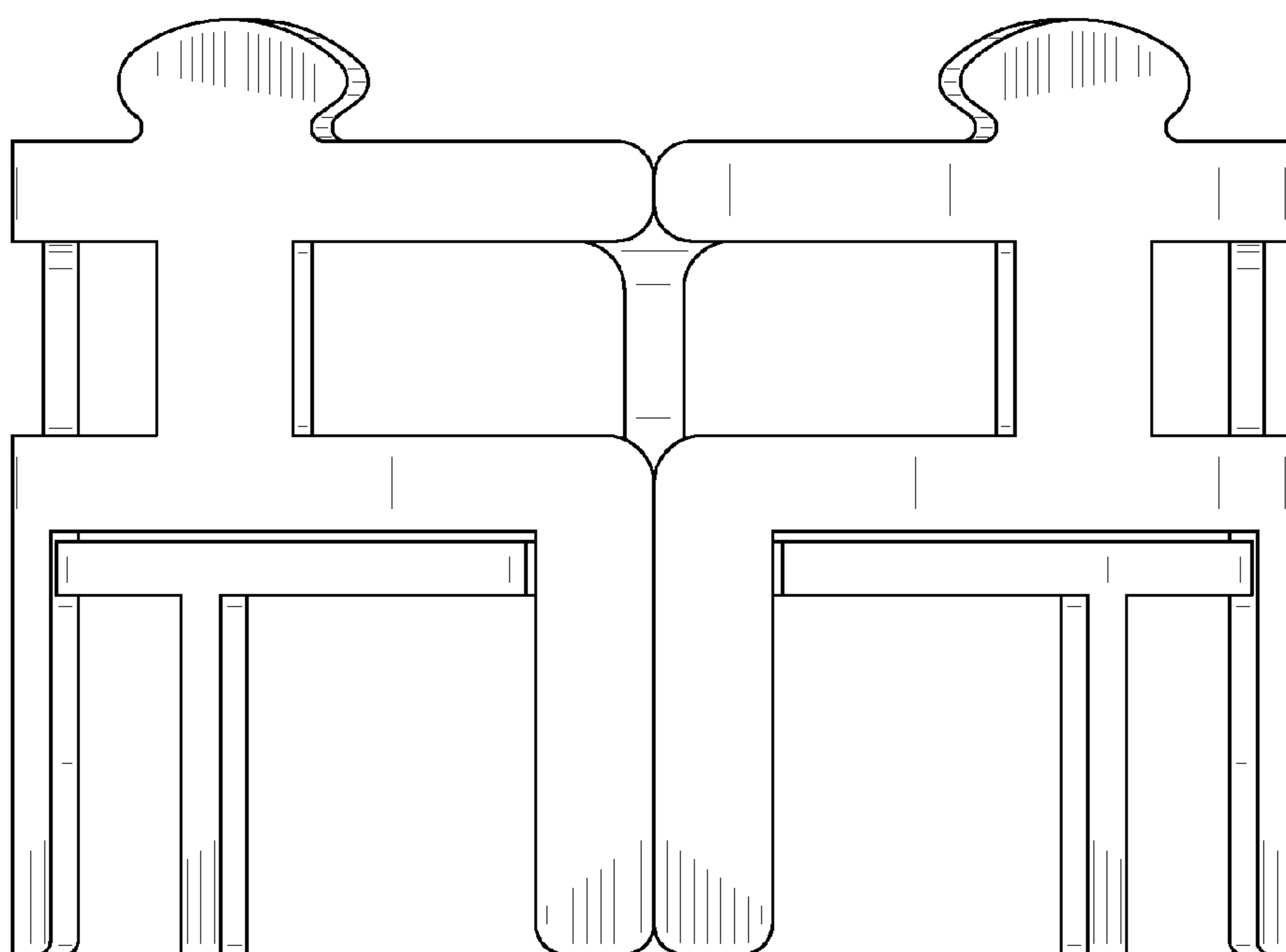


FIG. 5

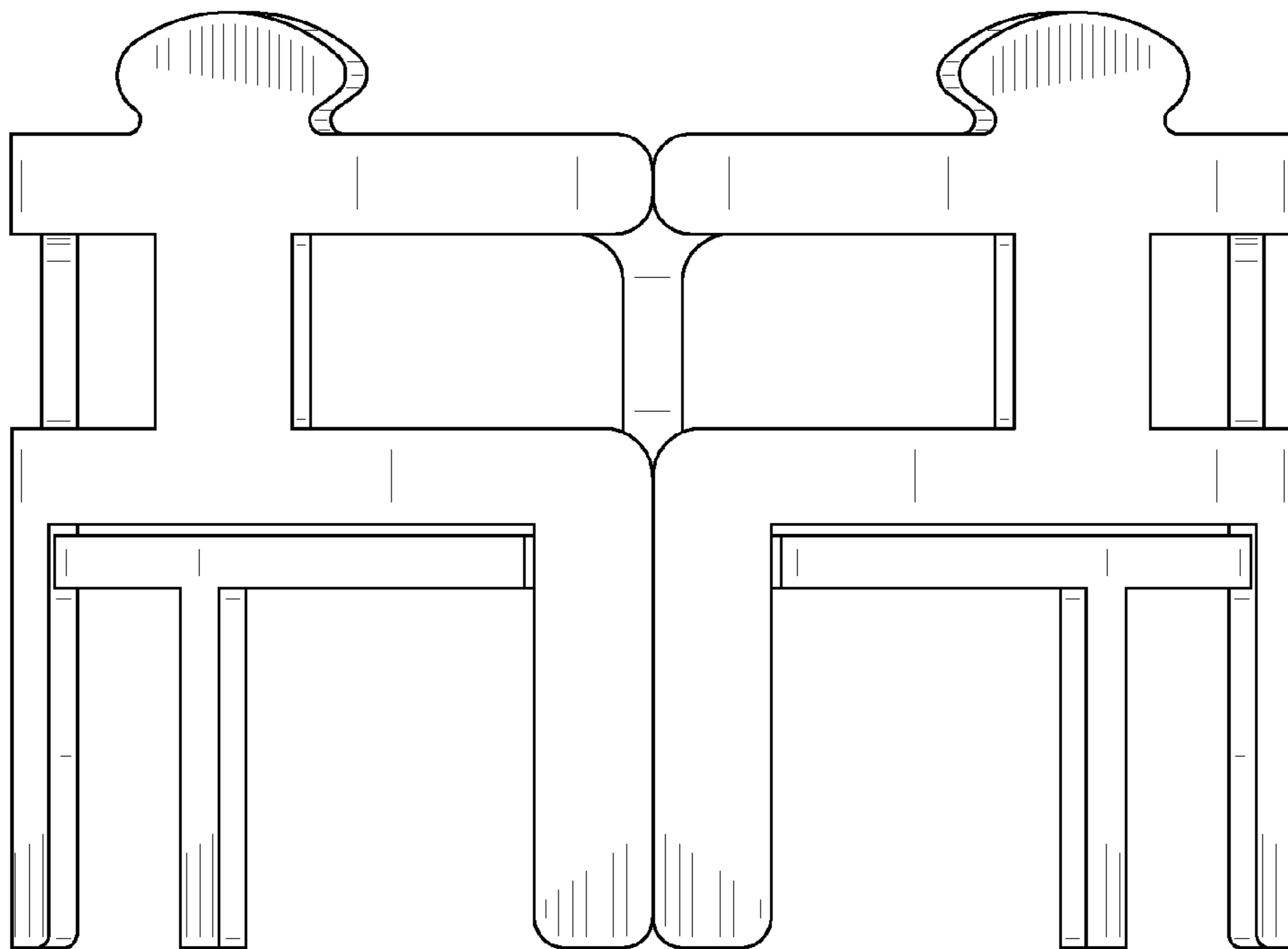


FIG. 6

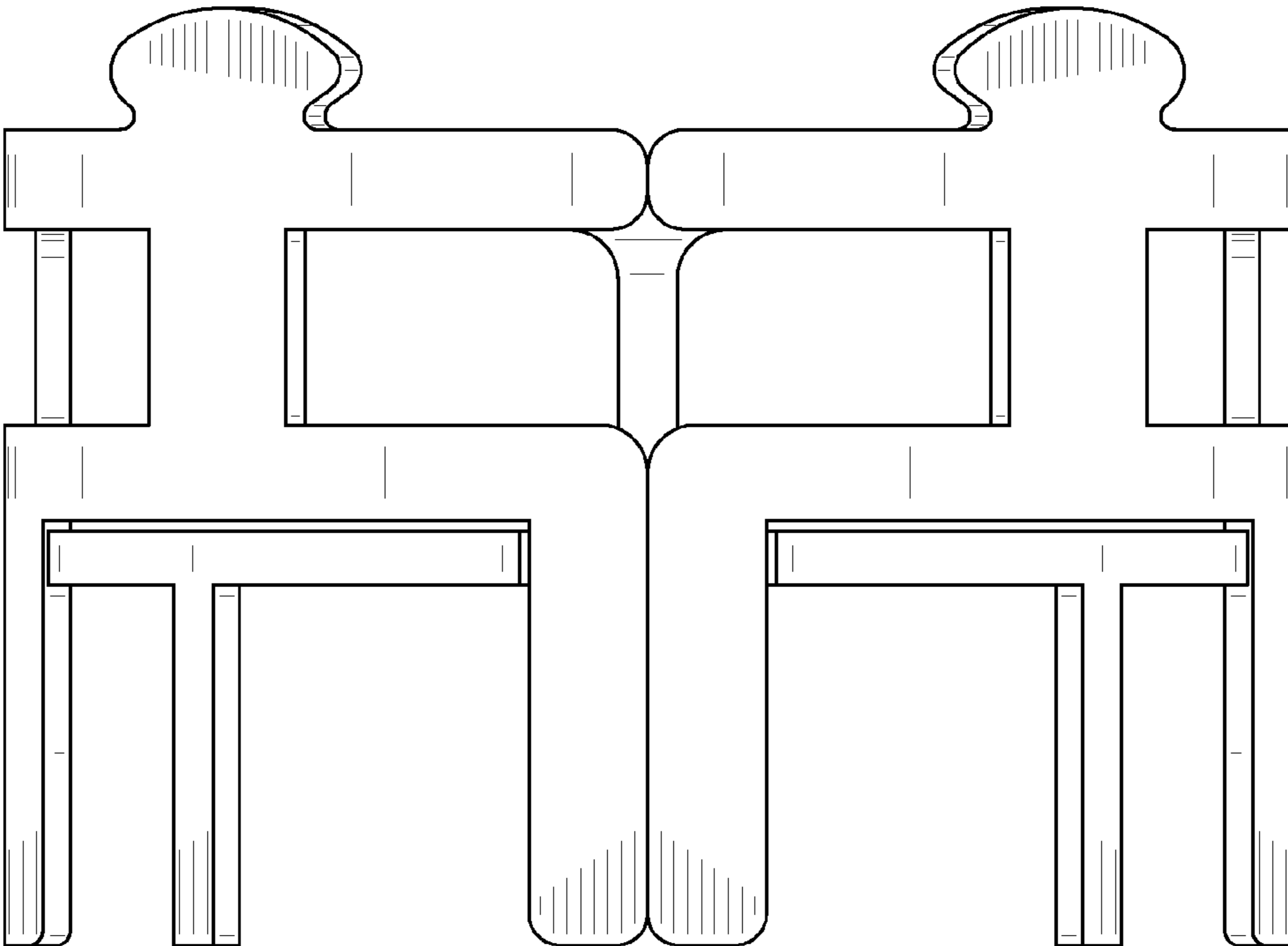


FIG. 7

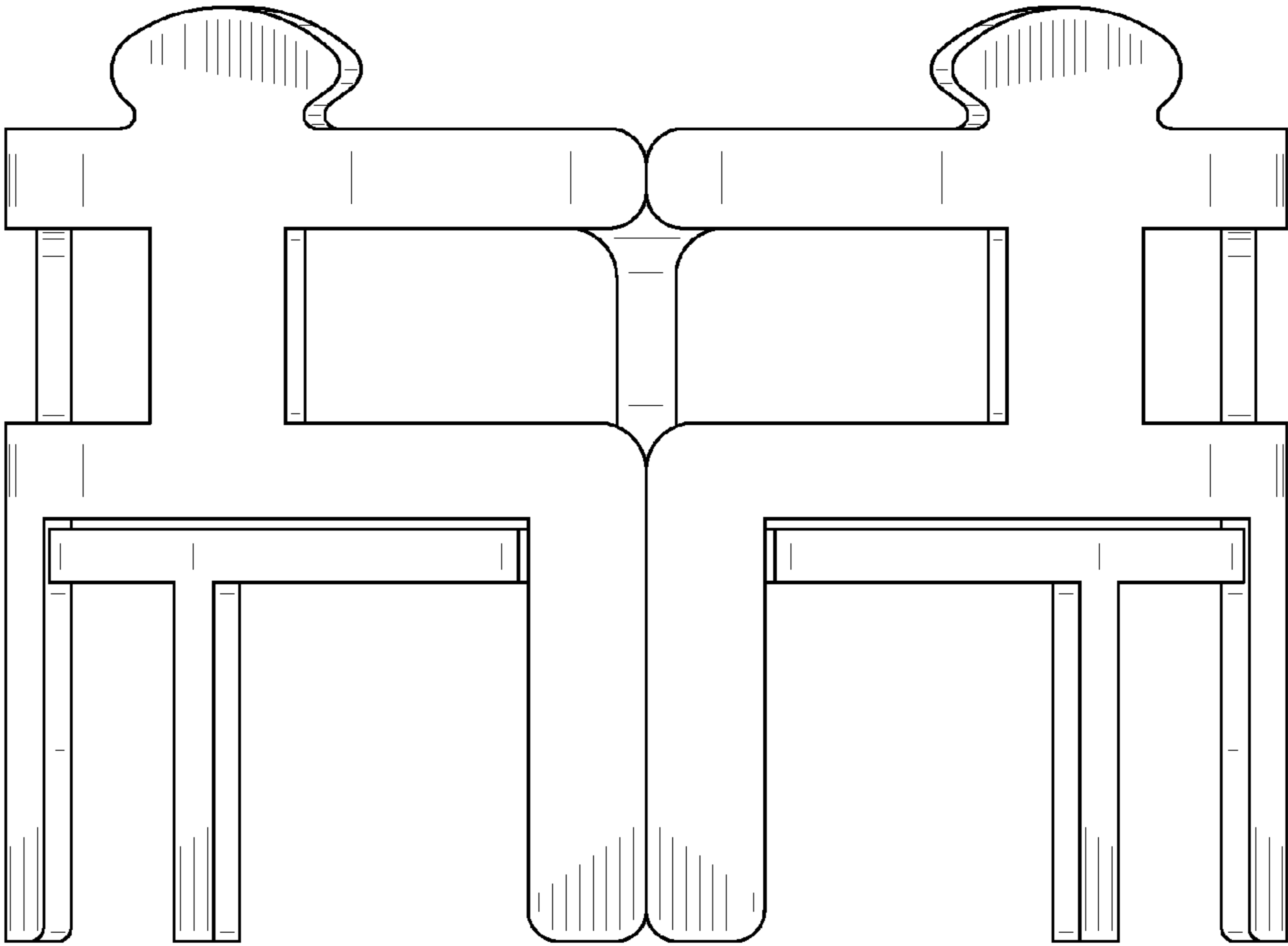


FIG. 8