



US00D650178S

(12) **United States Design Patent**  
**Ziaylek et al.**

(10) **Patent No.:** **US D650,178 S**  
(45) **Date of Patent:** **\*\* Dec. 13, 2011**

(54) **PLANAR POSITIVELY ENGAGING HELMET BRACKET**

(75) Inventors: **Michael P. Ziaylek**, Yardley, PA (US);  
**W. Brian McGinty**, Huntingdon Valley, PA (US)

(73) Assignee: **Michael P. Ziaylek**, Yardley, PA (US)

(\*\*) Term: **14 Years**

(21) Appl. No.: **29/316,675**

(22) Filed: **Oct. 20, 2009**

(51) **LOC (9) Cl.** ..... **06-08**

(52) **U.S. Cl.** ..... **D6/320**

(58) **Field of Classification Search** ..... D6/315,  
D6/320, 323, 327, 411, 465, 467, 468, 477,  
D6/512, 552, 553, 567, 569, 570, 574; D8/373;  
211/30-33; 248/127, 176.1, 235, 247, 309.1,  
248/316.233, 317

See application file for complete search history.

(56) **References Cited**

U.S. PATENT DOCUMENTS

D124,431	S	*	12/1940	Vogt	.....	D6/320
D281,203	S	*	11/1985	Nystrom	.....	D6/324
4,583,646	A	*	4/1986	Bowman	.....	211/32
4,821,891	A		4/1989	Williams		
4,975,980	A		12/1990	Ersteniuk		
5,002,190	A	*	3/1991	Moreland	.....	211/32
5,038,941	A	*	8/1991	Bastiaansen	.....	211/32
5,121,508	A		6/1992	Grilliot et al.		
5,137,157	A	*	8/1992	Lawson	.....	211/32
5,240,123	A	*	8/1993	Hawk	.....	211/32

D357,842	S		5/1995	Cohrs		
5,411,144	A		5/1995	Deupree		
5,480,073	A	*	1/1996	LaManna	.....	223/1
5,762,206	A	*	6/1998	Leichter	.....	211/32
D404,580	S	*	1/1999	Hasler	.....	D6/320
D408,637	S	*	4/1999	Sparks	.....	D6/320
6,212,688	B1		4/2001	Leslie		
6,478,025	B1		11/2002	Yort et al.		
6,776,453	B1		8/2004	Floyd, Jr.		
7,273,153	B1		9/2007	Kuniyoshi		
D574,160	S	*	8/2008	Therrio et al.	.....	D6/315
2003/0188448	A1		10/2003	Reed		

\* cited by examiner

*Primary Examiner* — Prabhakar Deshmukh

(74) *Attorney, Agent, or Firm* — Sperry, Zoda & Kane

(57) **CLAIM**

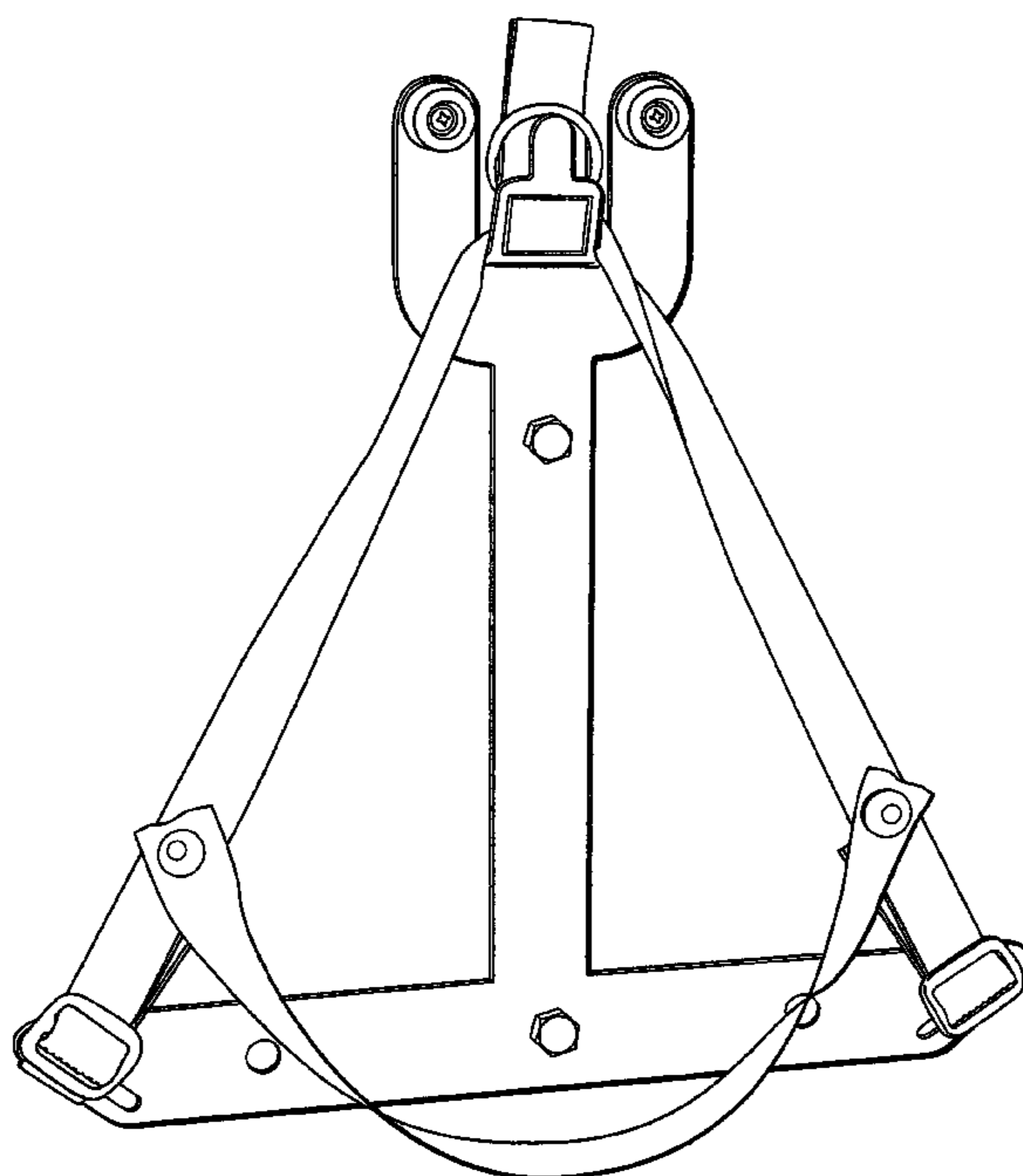
The ornamental design for a planar positively engaging helmet bracket, as shown and described.

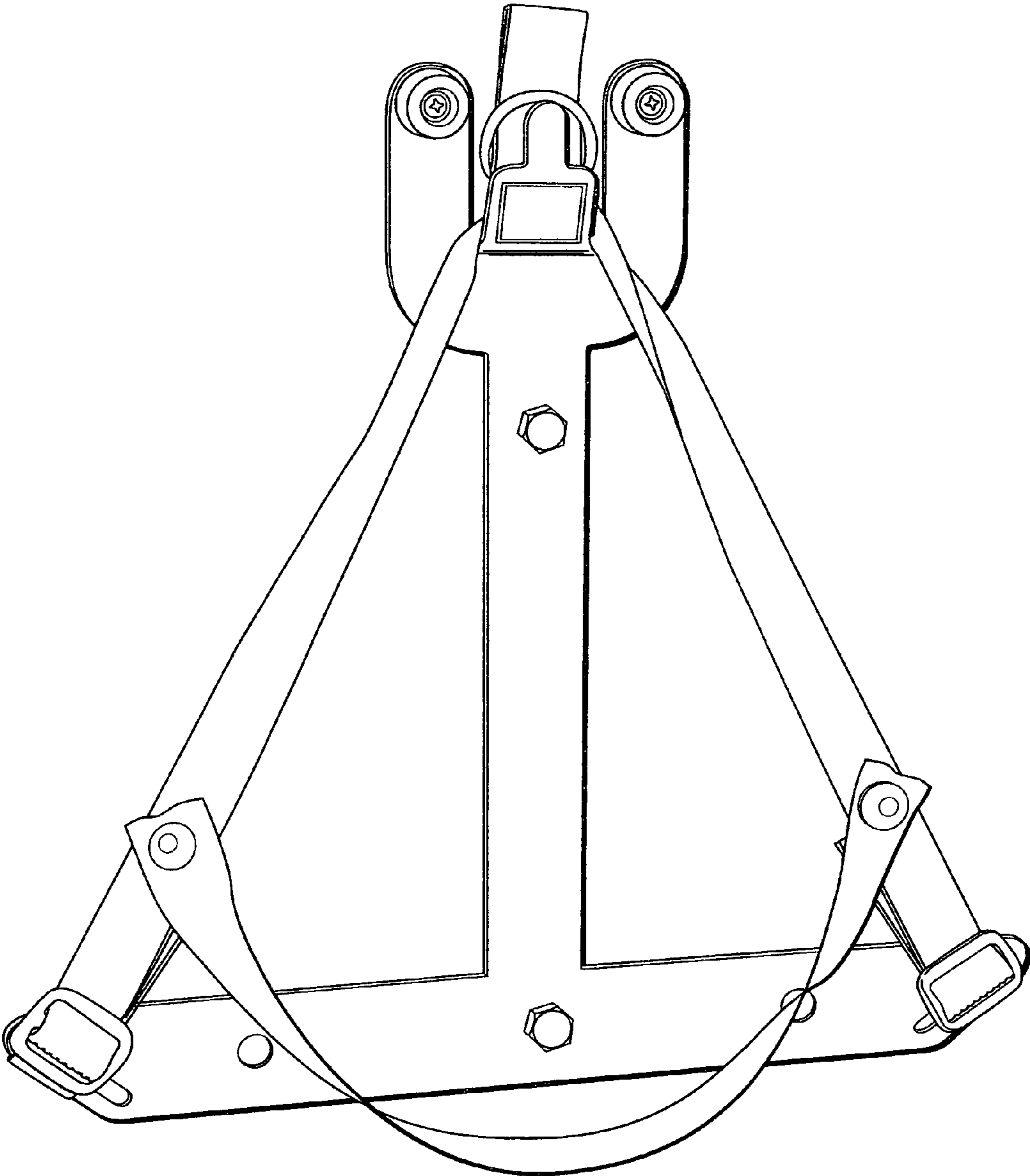
**DESCRIPTION**

FIG. 1 is front perspective view a planar positively engaging helmet bracket showing our new design; FIG. 2 is front elevational view thereof; FIG. 3 is a rear elevational view thereof; FIG. 4 is a side elevational view thereof; FIG. 5 is a top plan view thereof; FIG. 6 is a bottom plan view thereof; and, FIG. 7 is a front perspective view thereof, shown the article in its environmental use.

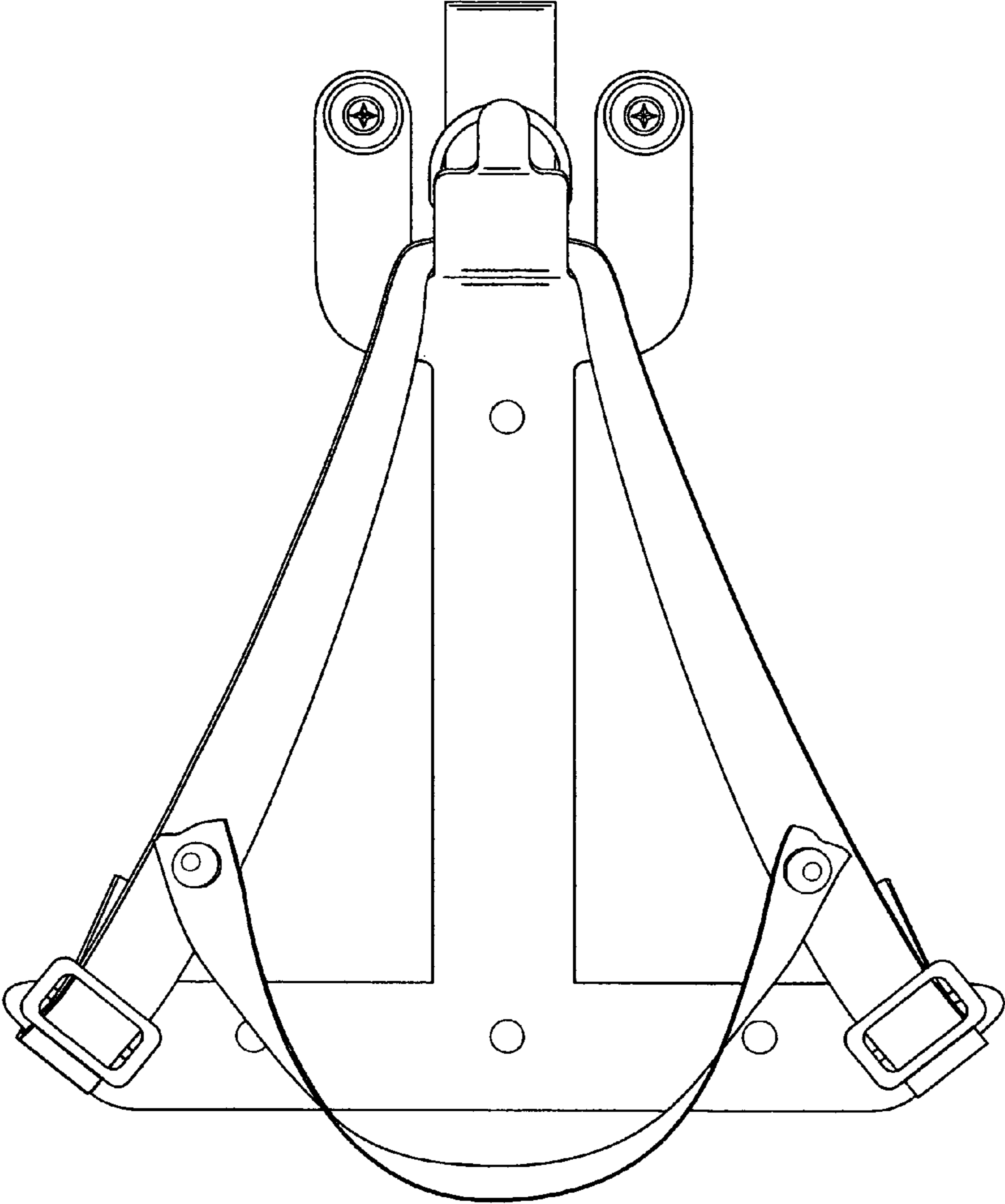
The broken lines representing helmet and disclaimed portions of the design are for illustrative purpose only and form no part of the claimed design.

**1 Claim, 5 Drawing Sheets**

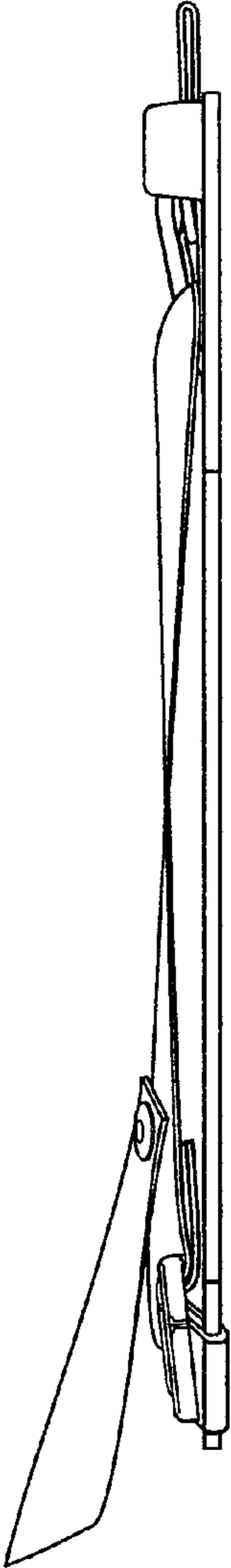




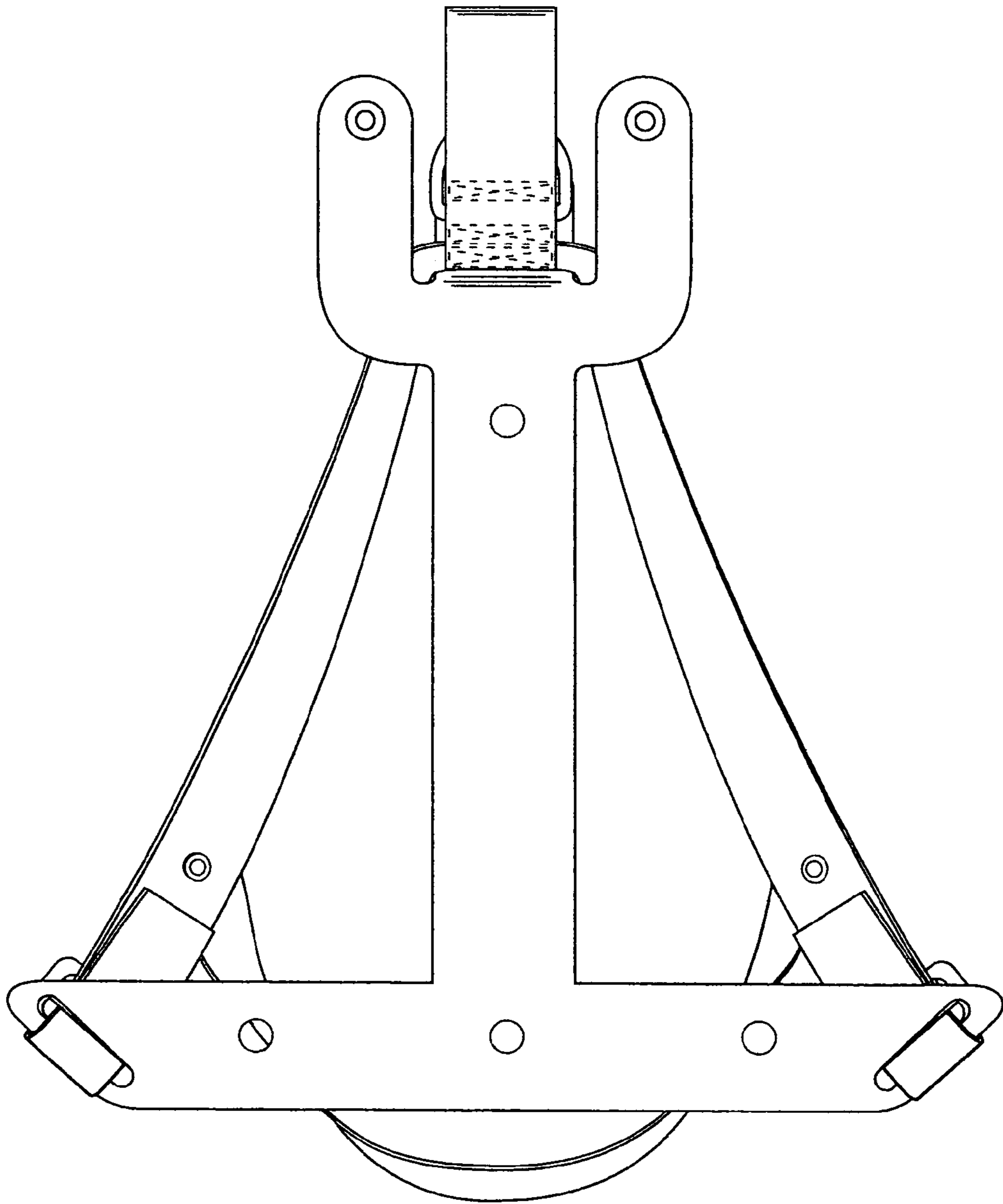
**FIG. 1**



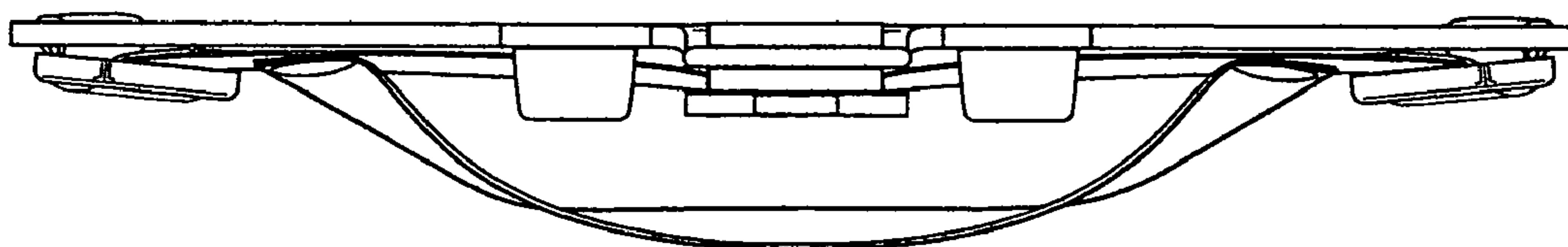
**FIG. 2**



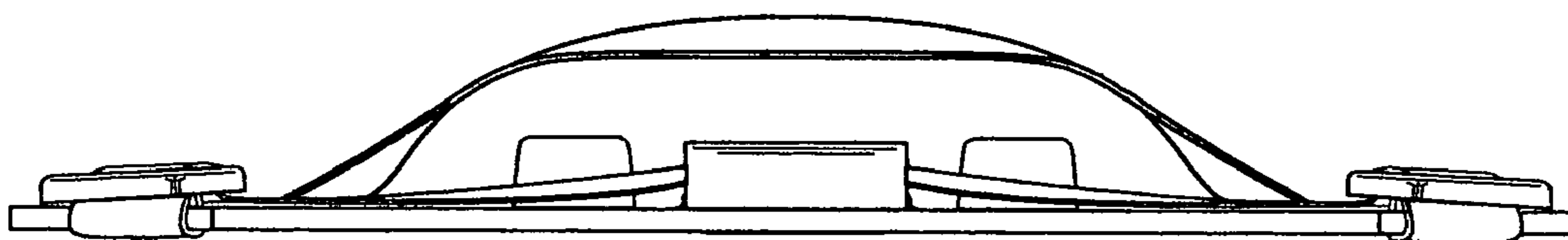
**FIG. 3**



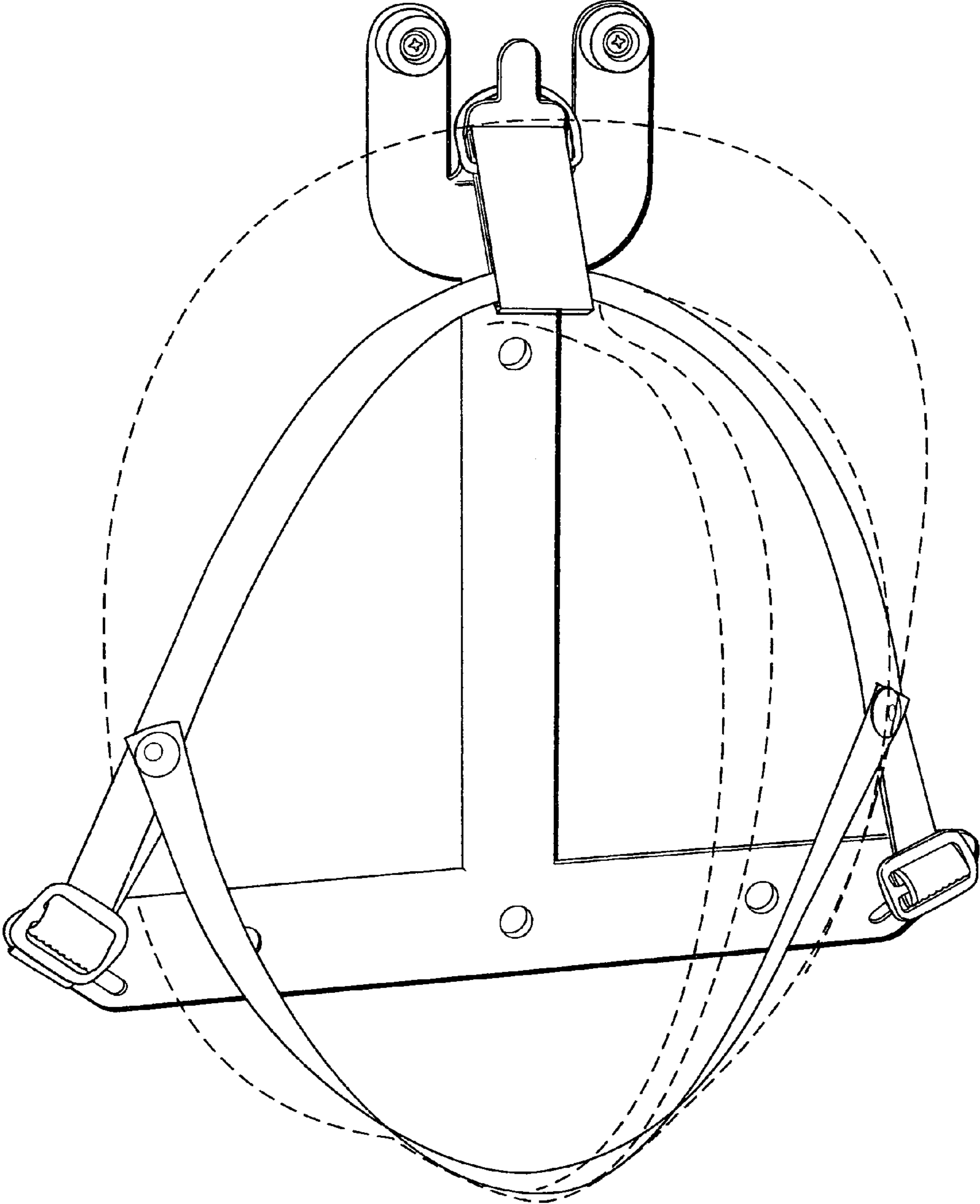
**FIG. 4**



**FIG. 5**



**FIG. 6**



**FIG. 7**