



US00D650176S

(12) **United States Design Patent**
Gadsby

(10) **Patent No.:** **US D650,176 S**
(45) **Date of Patent:** **** Dec. 13, 2011**

(54) **CLOTHES HANGER**

(75) Inventor: **Steve Gadsby**, Belper (GB)

(73) Assignee: **Montfort Services Sdn. Bhd.**, Kowloon (HK)

(**) Term: **14 Years**

(21) Appl. No.: **29/343,771**

(22) Filed: **Sep. 18, 2009**
(Under 37 CFR 1.47)

(30) **Foreign Application Priority Data**

Mar. 19, 2009 (EM) 001111504-0001

(51) **LOC (9) Cl.** **06-08**

(52) **U.S. Cl.** **D6/315**

(58) **Field of Classification Search** D6/315-328;
211/13.1, 85, 85.29, 85.31, 86.01, 119.01,
211/123, 124, 181.1; 223/85-98, DIG. 3
See application file for complete search history.

(56) **References Cited**

U.S. PATENT DOCUMENTS

D144,871	S	*	5/1946	Read	D6/317
2,589,737	A	*	3/1952	Scott-Dalgleish	211/119
2,782,974	A		2/1957	Borgfeldt		
2,799,438	A	*	7/1957	Cote	223/95
2,829,810	A	*	4/1958	Wilson	223/88
3,633,802	A		1/1972	Webster		
3,731,809	A		5/1973	Saenger		
4,066,967	A	*	1/1978	Spina	455/269

D375,413	S	*	11/1996	Lin	D6/319
5,901,888	A		5/1999	Schneider et al.		
6,053,378	A		4/2000	Doyel		
D432,318	S	*	10/2000	Licari	D6/318
D553,864	S	*	10/2007	Weal et al.	D6/315

FOREIGN PATENT DOCUMENTS

CN	101125057	A	2/2008
GB	2 257 354	A	1/1993
JP	61-26495	U	2/1986
JP	4-200509	A	7/1992
JP	2004-275346	A	10/2004
KR	10-2008-0112047	A	12/2008
WO	WO 90/09130	A1	8/1990

* cited by examiner

Primary Examiner — Prabhakar Deshmukh

(74) *Attorney, Agent, or Firm* — Dickstein Shapiro LLP

(57) **CLAIM**

The ornamental design for clothes hanger, as shown and described.

DESCRIPTION

FIG. 1 is a front elevational view of clothes hanger, showing the new design;

FIG. 2 is a rear elevational view thereof;

FIG. 3 is a top view thereof;

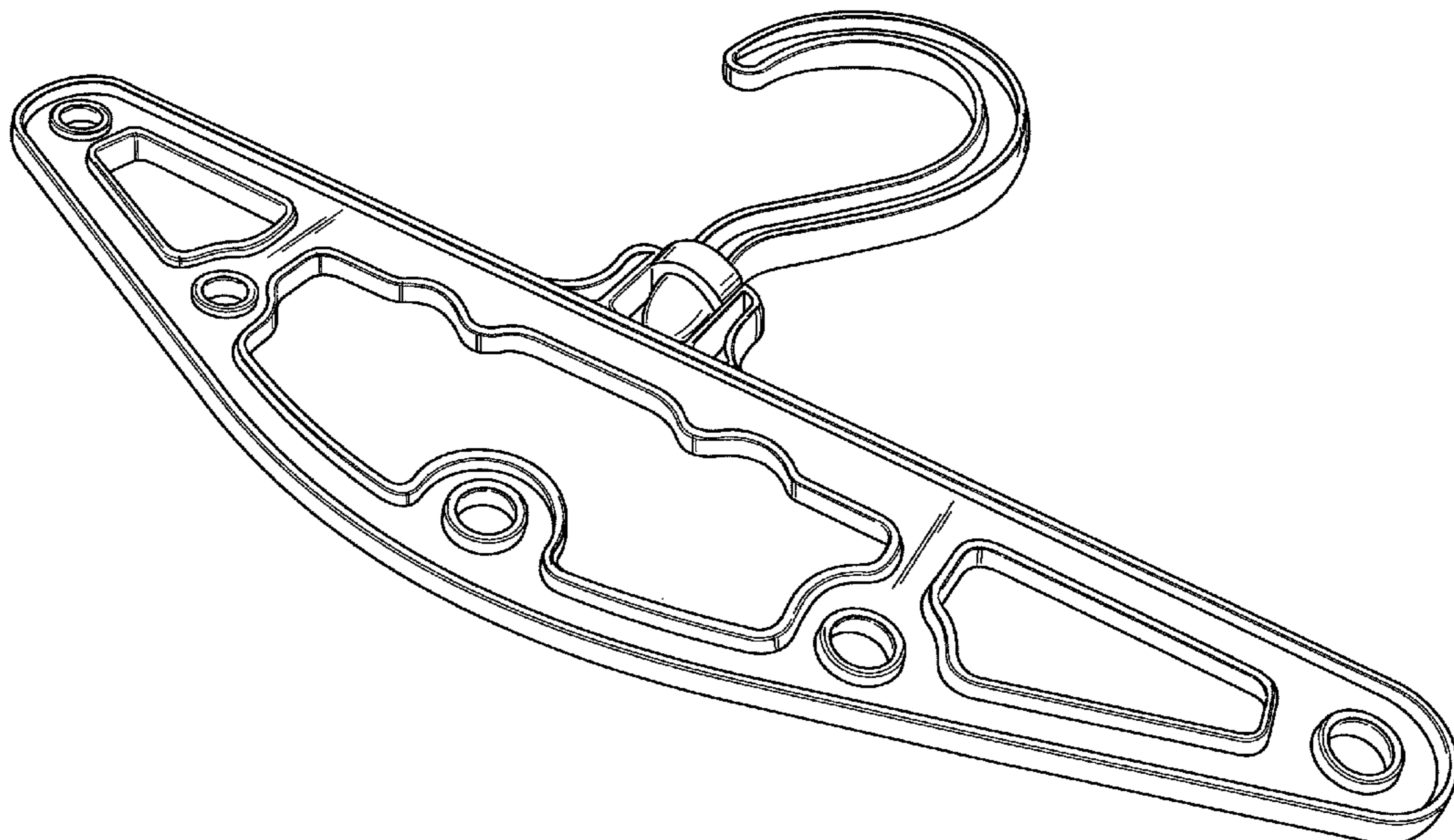
FIG. 4 is a bottom view thereof;

FIG. 5 is a right side view thereof;

FIG. 6 is a left side view thereof; and,

FIG. 7 is a perspective view thereof, showing portions of the front, left side and bottom thereof.

1 Claim, 5 Drawing Sheets



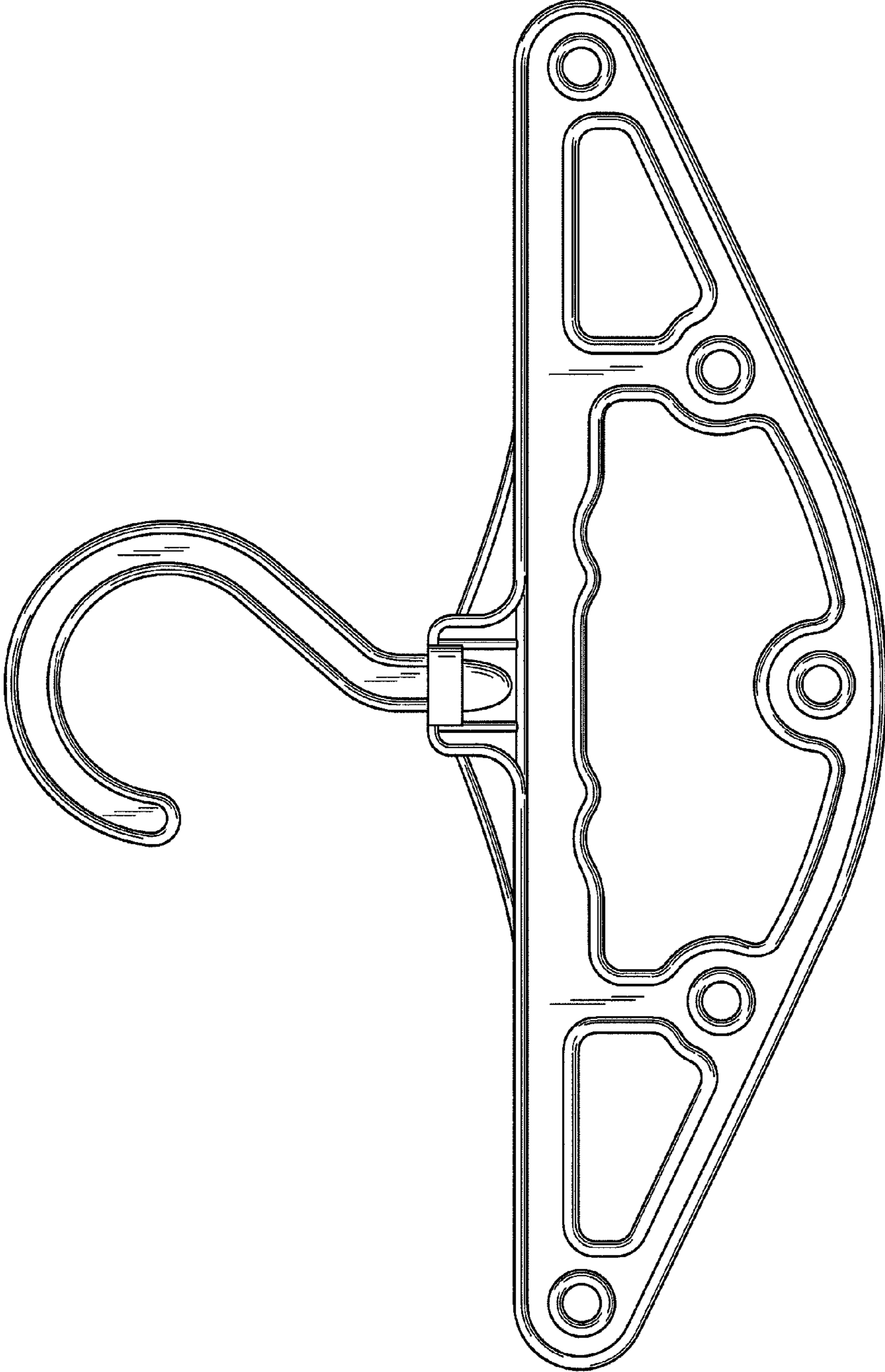


Fig. 1

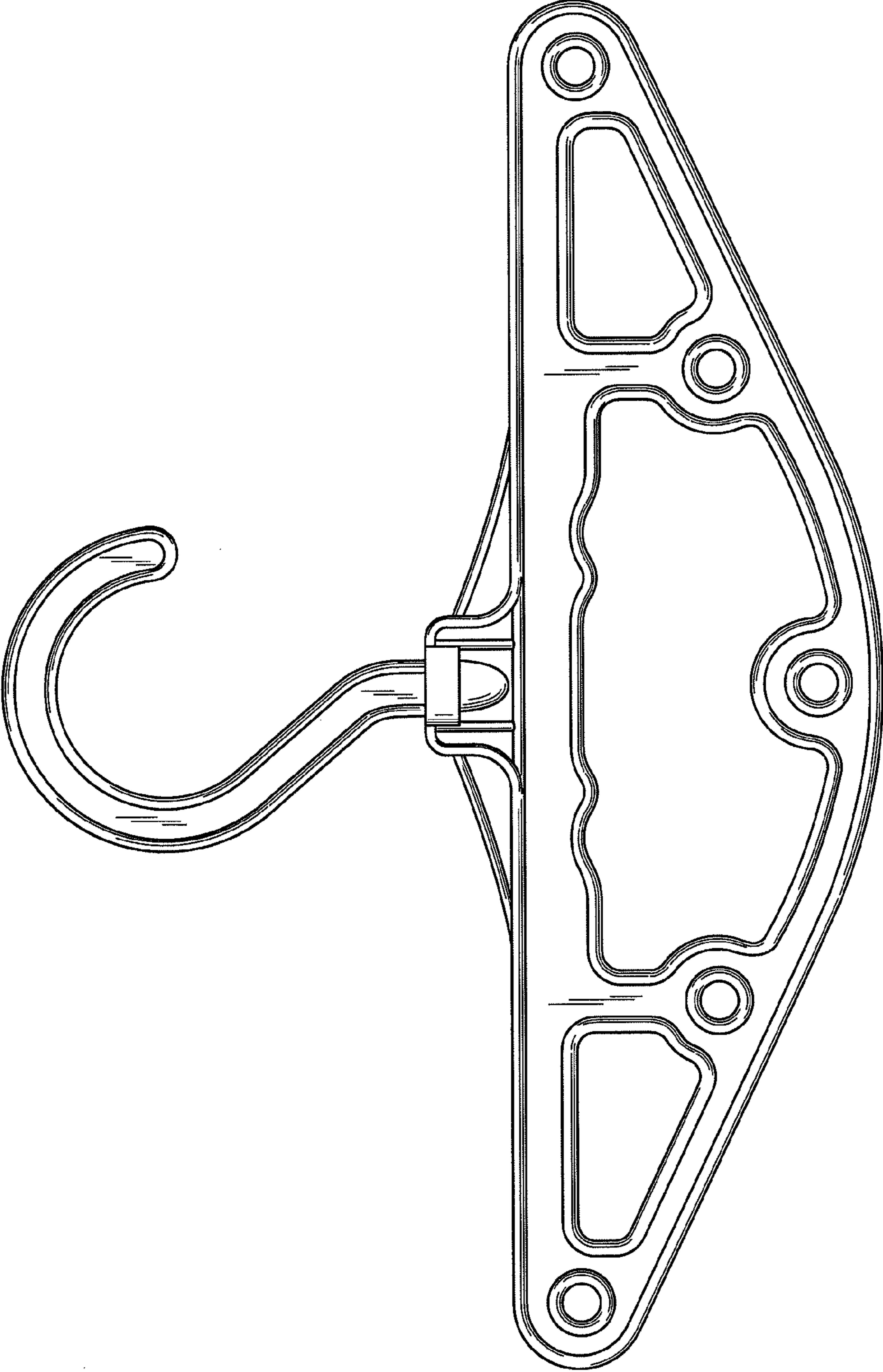


Fig. 2

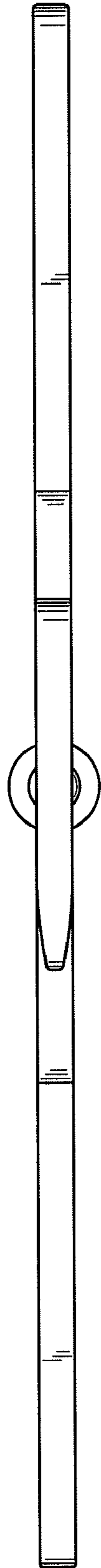


Fig. 3

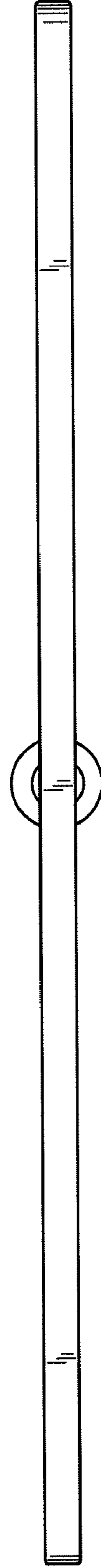


Fig. 4

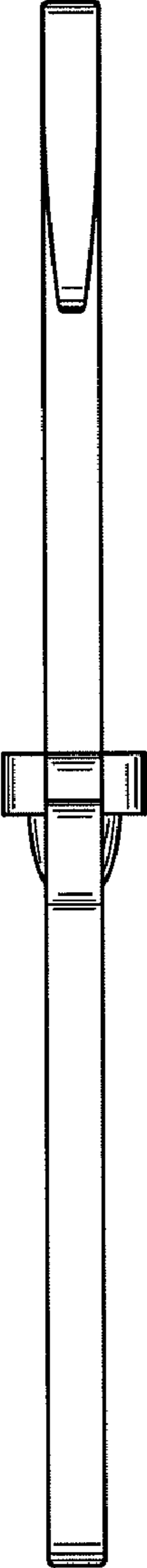


Fig. 5

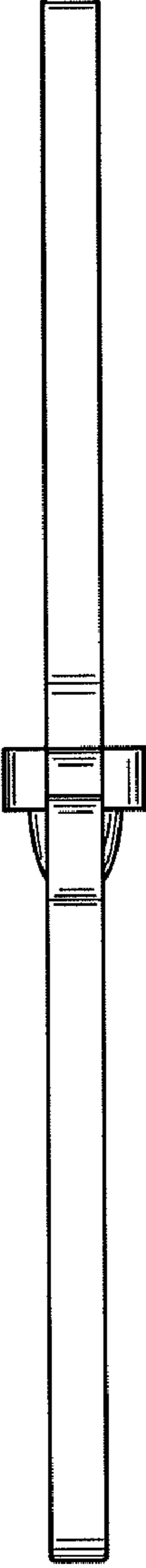


Fig. 6

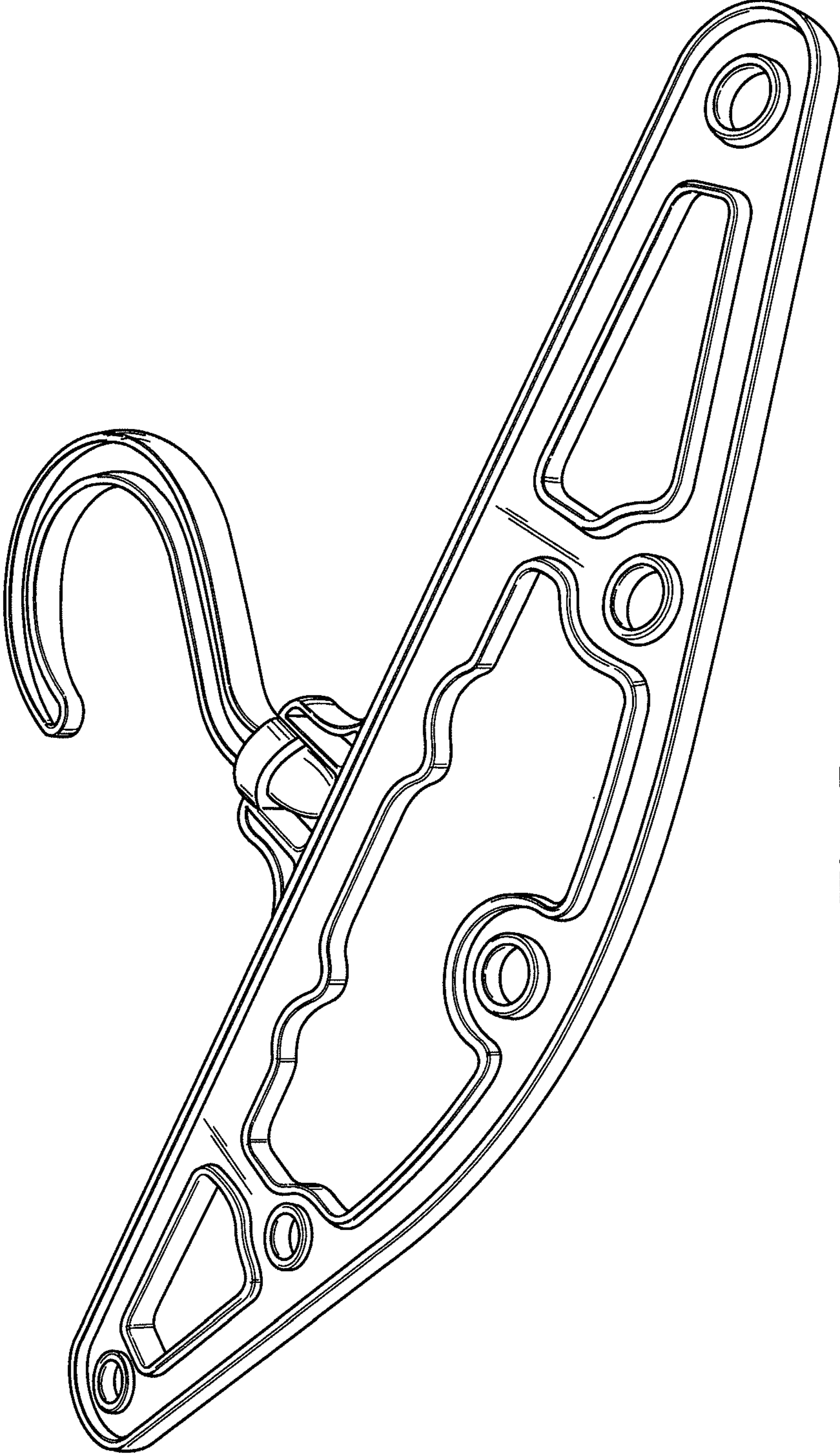


Fig. 7