



US00D650175S

(12) **United States Design Patent**  
**Lee**

(10) **Patent No.:** **US D650,175 S**  
(45) **Date of Patent:** **\*\* Dec. 13, 2011**

(54) **BASKET FOR A COOLER**  
(76) Inventor: **Justin Lee**, Houston, TX (US)  
(\*\*) Term: **14 Years**  
(21) Appl. No.: **29/394,040**  
(22) Filed: **Jun. 13, 2011**  
(51) **LOC (9) Cl.** ..... **03-01**  
(52) **U.S. Cl.** ..... **D3/306**  
(58) **Field of Classification Search** ..... D3/304–306,  
D3/314–315; 206/509, 512–513, 557, 821;  
211/13.1, 41.3, 41.4, 86.01, 88.01; 220/485,  
220/491–494; D6/511, 566–567, 537–540,  
D6/572–574  
See application file for complete search history.

D526,454 S \* 8/2006 Plikuhn ..... D32/55  
D547,094 S \* 7/2007 Klein et al. .... D6/462  
D554,419 S \* 11/2007 Thompson et al. .... D6/566  
D555,943 S \* 11/2007 Butler et al. .... D6/491  
D556,476 S \* 12/2007 Butler et al. .... D6/491  
D564,814 S \* 3/2008 Snider ..... D6/520  
D588,814 S \* 3/2009 Ghiorghie ..... D3/304  
D589,729 S \* 4/2009 Klein et al. .... D6/510  
D616,680 S \* 6/2010 Snider ..... D6/513  
D628,388 S \* 12/2010 Klein et al. .... D3/318  
D634,121 S \* 3/2011 Goodman et al. .... D3/306  
D637,000 S \* 5/2011 Goodman et al. .... D3/306  
D643,695 S \* 8/2011 Goodman et al. .... D7/631

\* cited by examiner

*Primary Examiner* — Elizabeth Albert  
*Assistant Examiner* — Kelley Donnelly  
(74) *Attorney, Agent, or Firm* — Egbert Law Offices PLLC

(56) **References Cited**

U.S. PATENT DOCUMENTS

2,662,662 A \* 12/1953 Moorhead ..... 220/485  
2,968,418 A \* 1/1961 Stoddard ..... 206/509  
3,272,377 A \* 9/1966 Schray ..... 220/494  
3,279,641 A \* 10/1966 Fredrick ..... 220/494  
3,647,077 A \* 3/1972 Gillespie ..... 211/133.5  
D264,761 S \* 6/1982 Dekarski ..... D3/306  
4,337,872 A \* 7/1982 Wright ..... 220/491  
D296,601 S \* 7/1988 Chap ..... D3/306  
D301,431 S \* 6/1989 Landis ..... D7/402  
D326,946 S \* 6/1992 Szuster ..... D3/306  
D343,712 S \* 1/1994 Linder ..... D6/513  
D348,760 S \* 7/1994 Linder ..... D3/306  
D477,144 S \* 7/2003 Remmers ..... D3/306  
D498,632 S \* 11/2004 Anderson et al. .... D6/566  
D507,108 S \* 7/2005 Suero, Jr. .... D3/304  
D508,167 S \* 8/2005 Anderson et al. .... D6/566  
D512,223 S \* 12/2005 Snell ..... D3/304

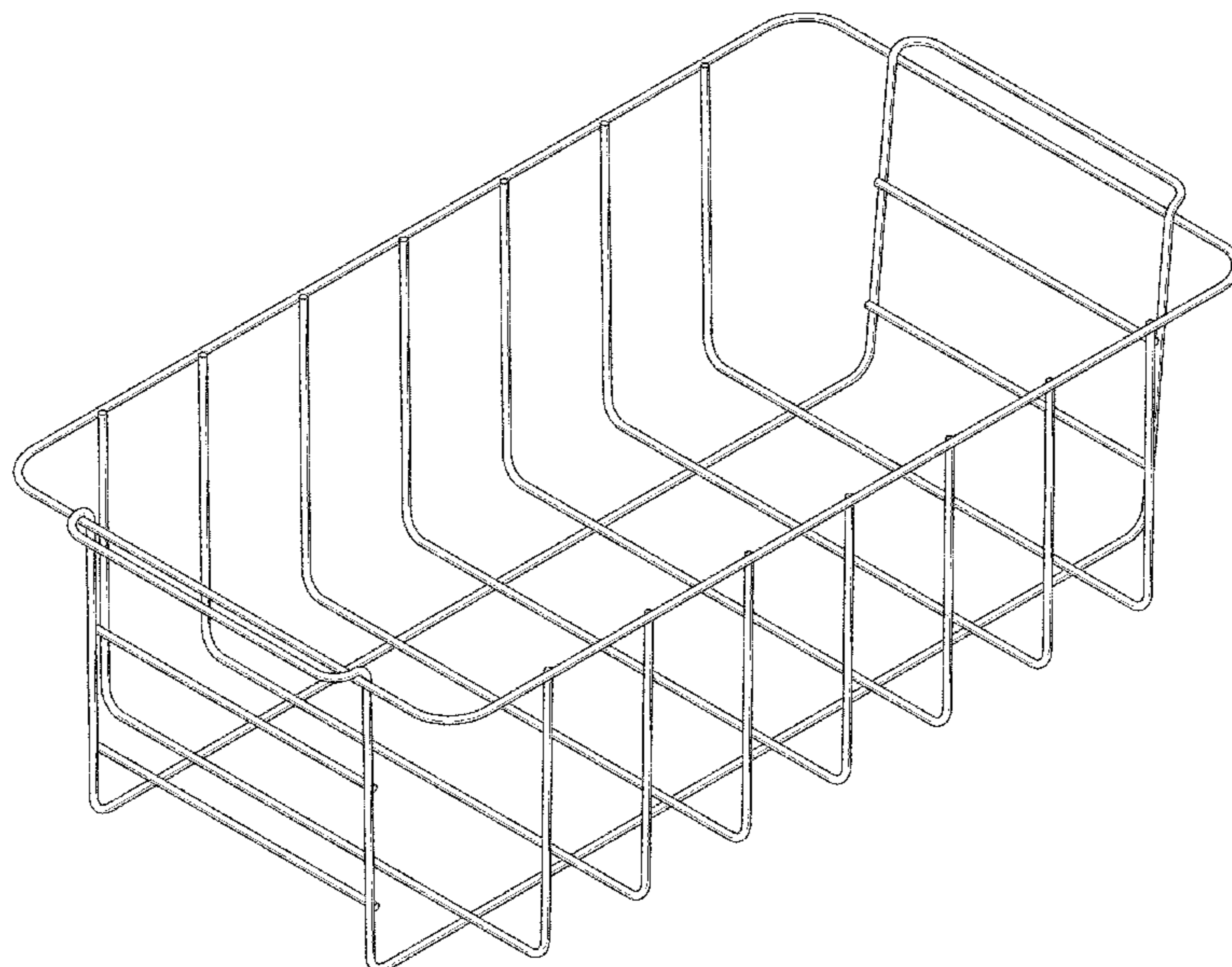
(57) **CLAIM**

The ornamental design for an basket for a cooler, as shown and described.

**DESCRIPTION**

FIG. 1 is an upper perspective view of the basket for a cooler showing my design.  
FIG. 2 is a front view thereof;  
FIG. 3 is a side view thereof;  
FIG. 4 is a top view thereof;  
FIG. 5 is a bottom view thereof; and,  
FIG. 6 is an upper perspective view showing the basket for a cooler positioned within a cooler.  
The features presented in broken lines are for environmental purposes only and form no part of the claimed design.

**1 Claim, 4 Drawing Sheets**



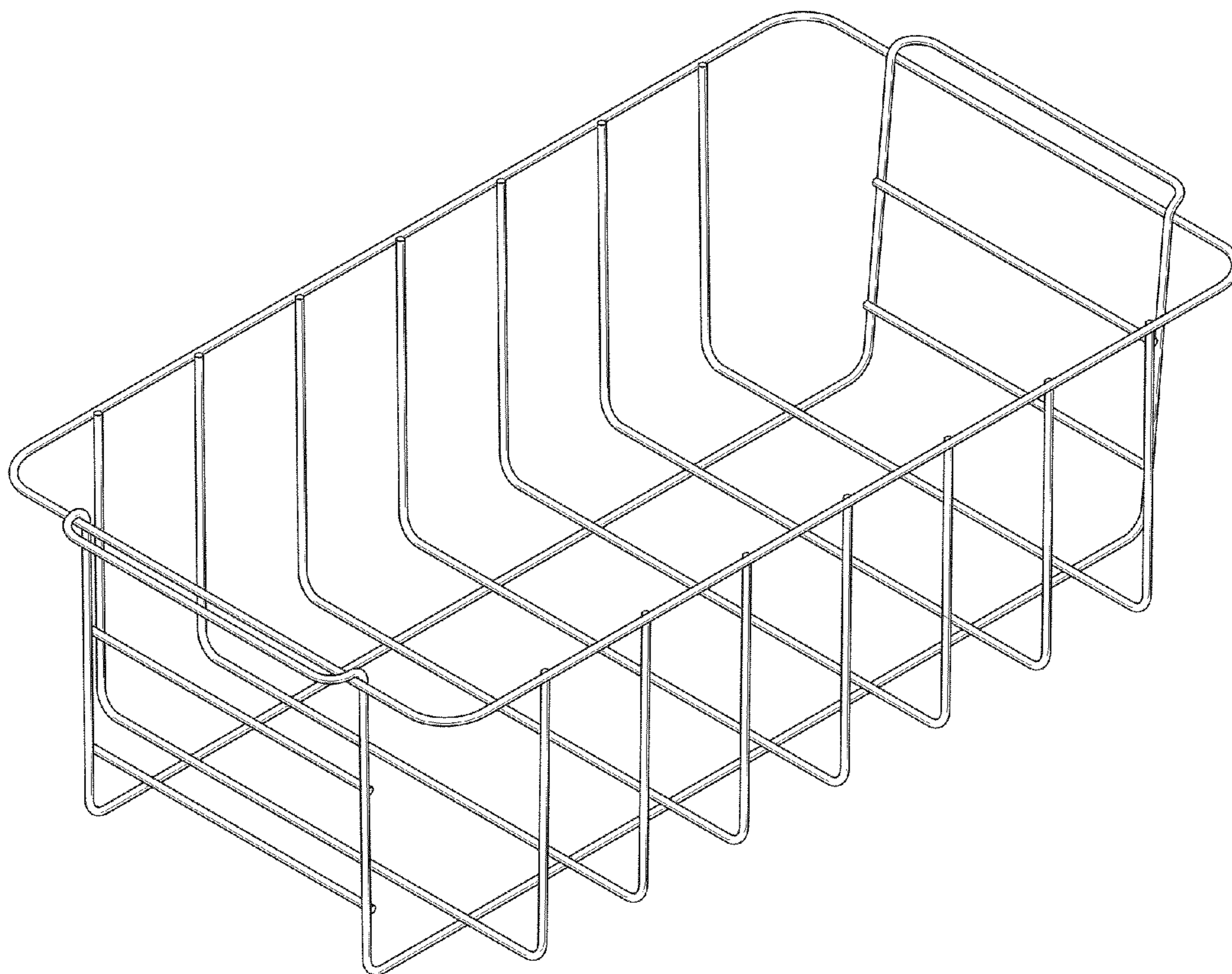


FIG. 1

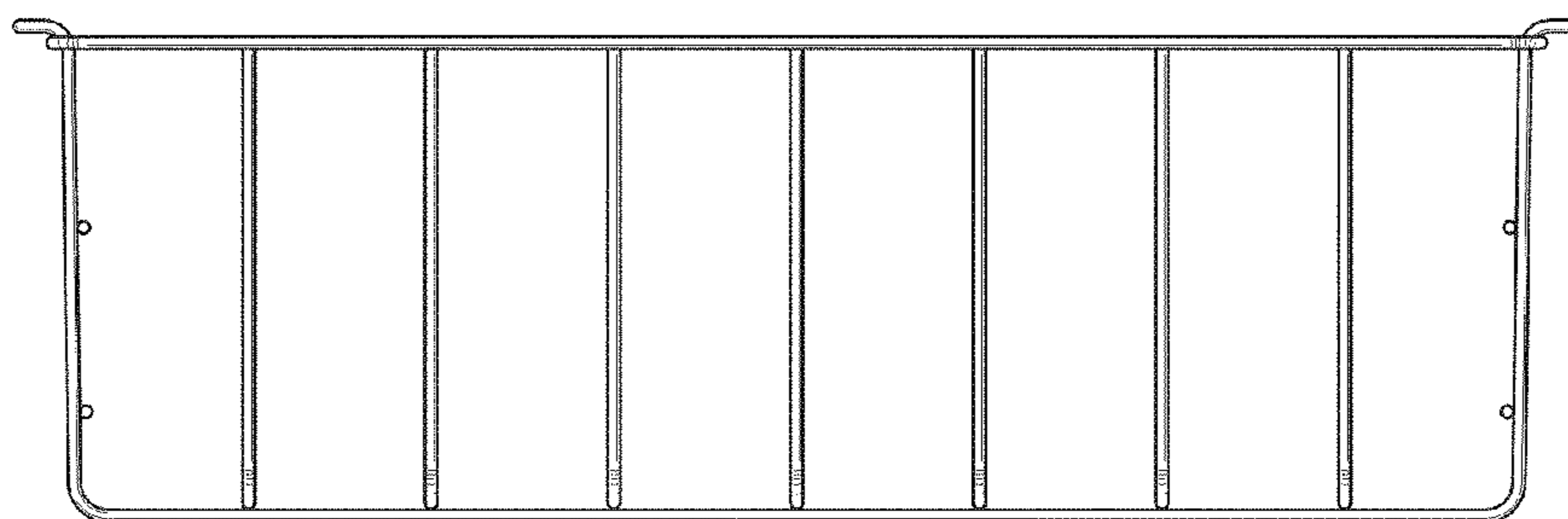
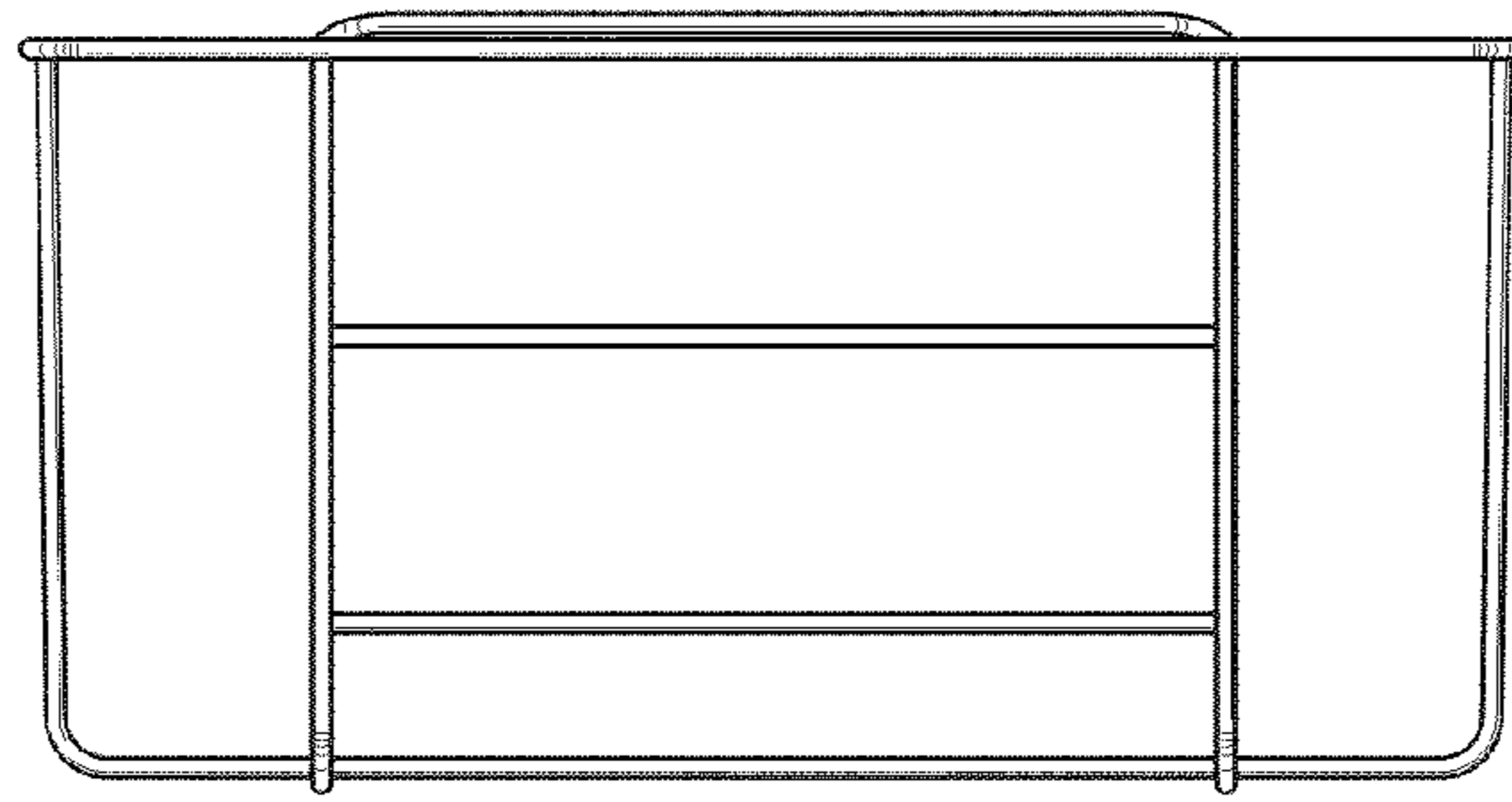
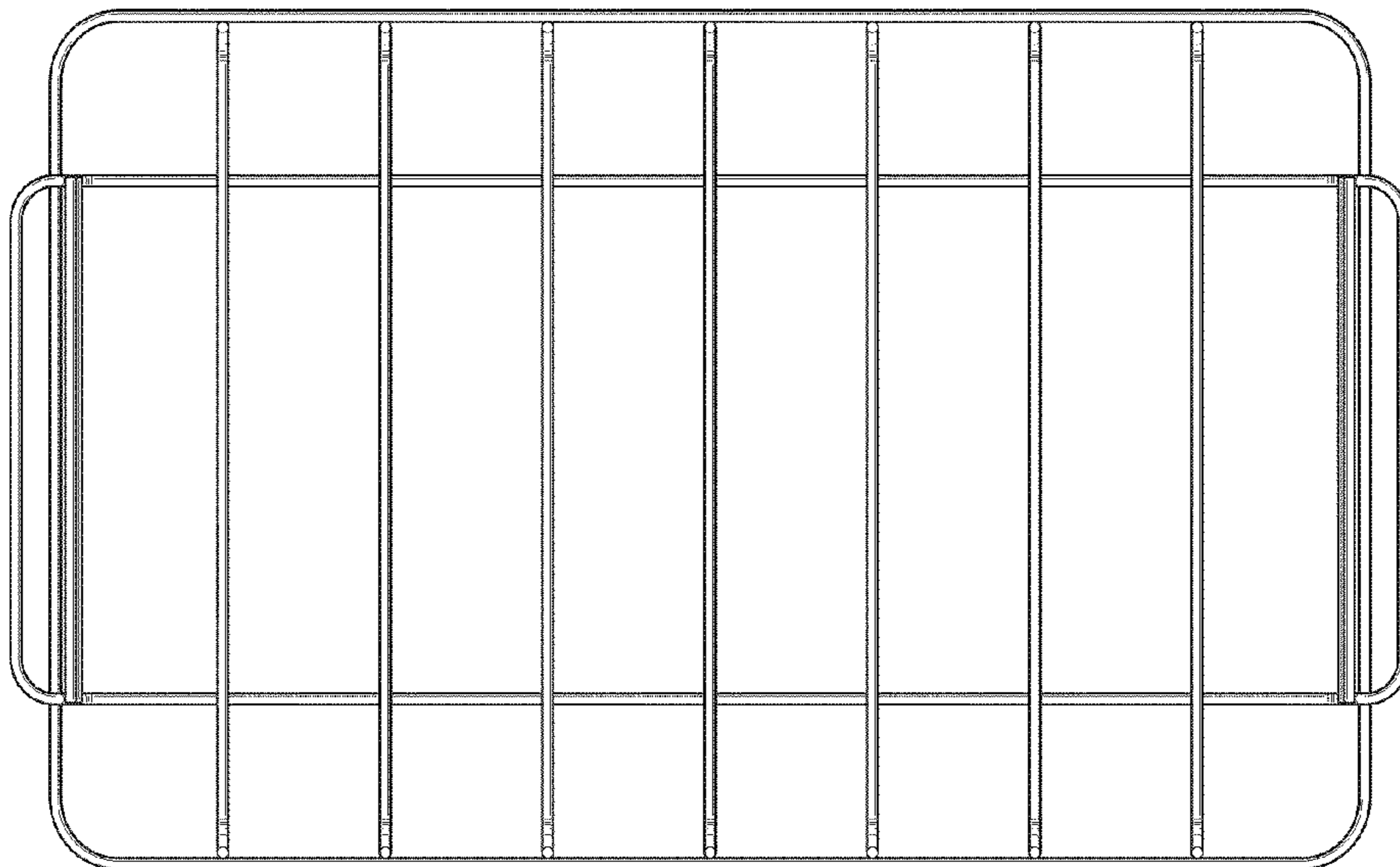


FIG. 2

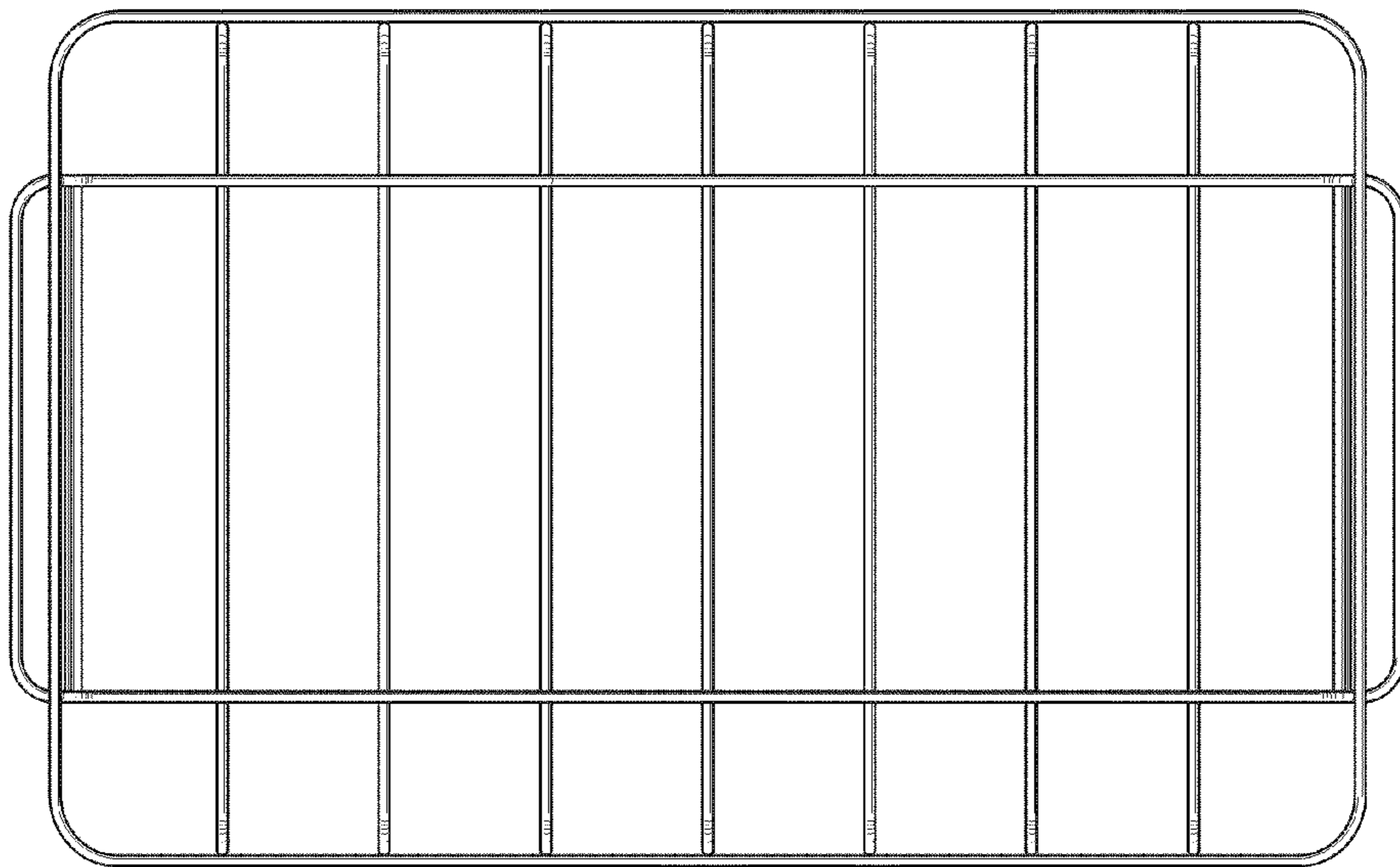


*FIG. 3*



*FIG. 4*





*FIG. 5*

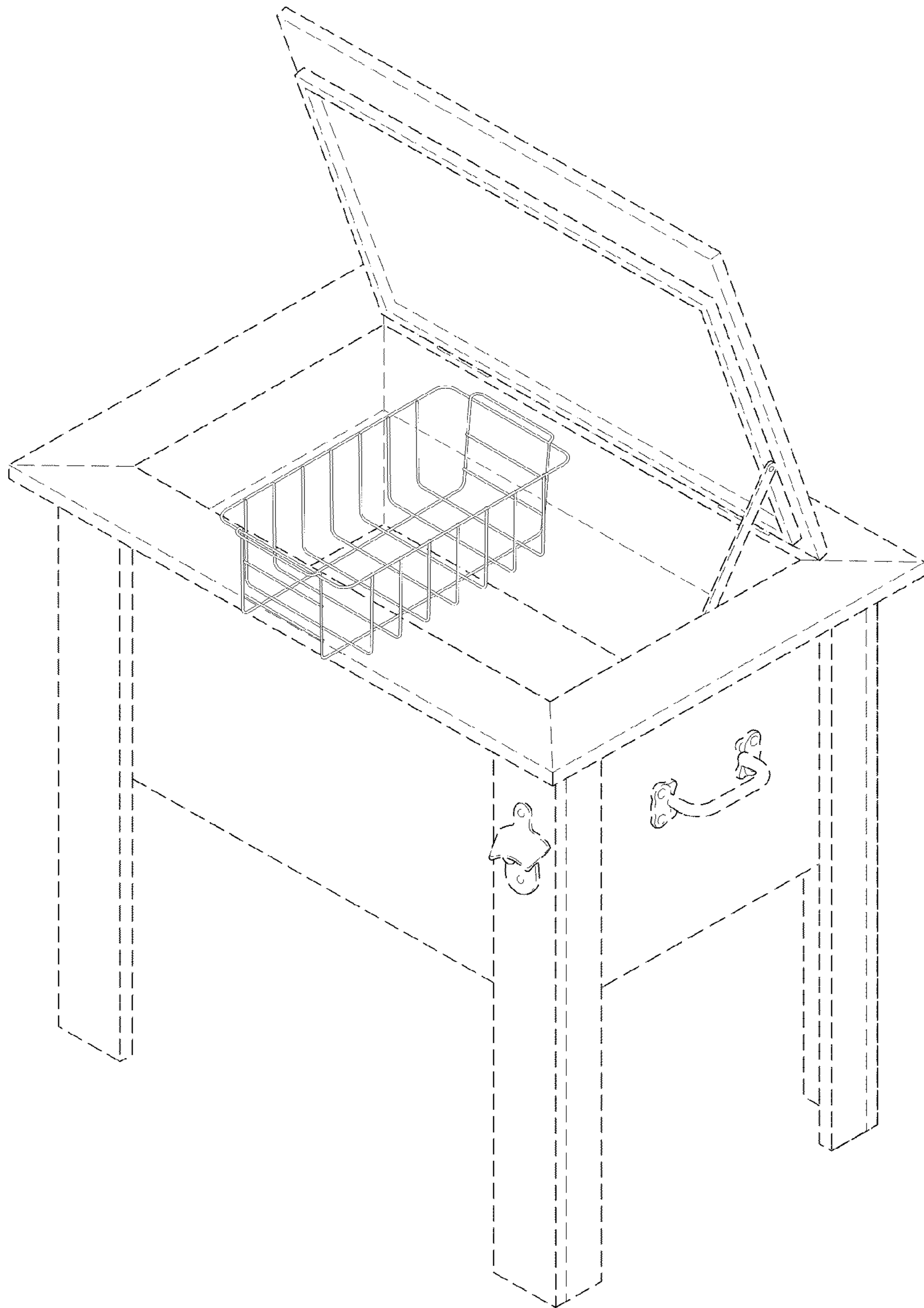


FIG. 6