



US00D650174S

(12) **United States Design Patent**  
**Ahlström**

(10) **Patent No.:** **US D650,174 S**

(45) **Date of Patent:** **\*\* Dec. 13, 2011**

(54) **STORAGE BOX**

(75) Inventor: **Joakim Ahlström**, Täby (SE)

(73) Assignee: **Hammarplast Consumer Aktiebolag**,  
Tingsryd (SE)

(\*\*) Term: **14 Years**

(21) Appl. No.: **29/379,277**

(22) Filed: **Nov. 17, 2010**

(30) **Foreign Application Priority Data**

May 18, 2010 (EM) ..... 001709254

(51) **LOC (9) Cl.** ..... **03-01**

(52) **U.S. Cl.** ..... **D3/302**

(58) **Field of Classification Search** ..... D3/273,  
D3/284, 294–295, 302, 304, 318; D9/430–432,  
D9/424–425; 206/503–507, 509–510, 514–515,  
206/518

See application file for complete search history.

(56) **References Cited**

**U.S. PATENT DOCUMENTS**

D328,425 S *	8/1992	Brightbill	.....	D3/282
D339,436 S *	9/1993	Craft et al.	.....	D32/53
D360,778 S *	8/1995	Apt et al.	.....	D6/448
D360,898 S *	8/1995	Huerto et al.	.....	D19/90
D361,511 S *	8/1995	Dickinson et al.	.....	D7/605
D381,512 S *	7/1997	Green	.....	D3/294
D391,762 S *	3/1998	Ahern, Jr.	.....	D3/302
D398,151 S *	9/1998	Ahern, Jr.	.....	D3/304
D400,354 S *	11/1998	Burrows	.....	D3/307

**OTHER PUBLICATIONS**

Cimco-Werkzeugfabrik—Raaco Compact 47; Raaco Compact 37 (1 page of photos).

Peli Products Barcelona (Spain) 0500 Transport Case; 03040 Cube Case (1 page of photos).

Parat GmbH & Co. KG (Germany) Profi-Line tool box; Profi-Line tool container (1 page of photos).

Ningbo Meijia (Meiqi) Tool Co., Ltd; (China); MJ-3196-24; MJ-3056-24.5, MJ-2059-38 (3 page of photos).

Manoplast Renk Plastik Sanayi (Turkey) “YN-15” (1 page of photos).

Alegre Valeplast s.l. (Valencia Spain) 1 page.

\* cited by examiner

*Primary Examiner* — Holly Baynham

(74) *Attorney, Agent, or Firm* — Ladas & Parry LLP

(57) **CLAIM**

The ornamental design for a storage box, as shown and described.

**DESCRIPTION**

FIG. 1 is a perspective view showing the top side, the right side, and the front of a storage box showing my new design; FIG. 2 is a perspective view showing the underside, the left side, and the back thereof;

FIG. 3 is a front elevational view thereof;

FIG. 4 is a rear elevational view thereof;

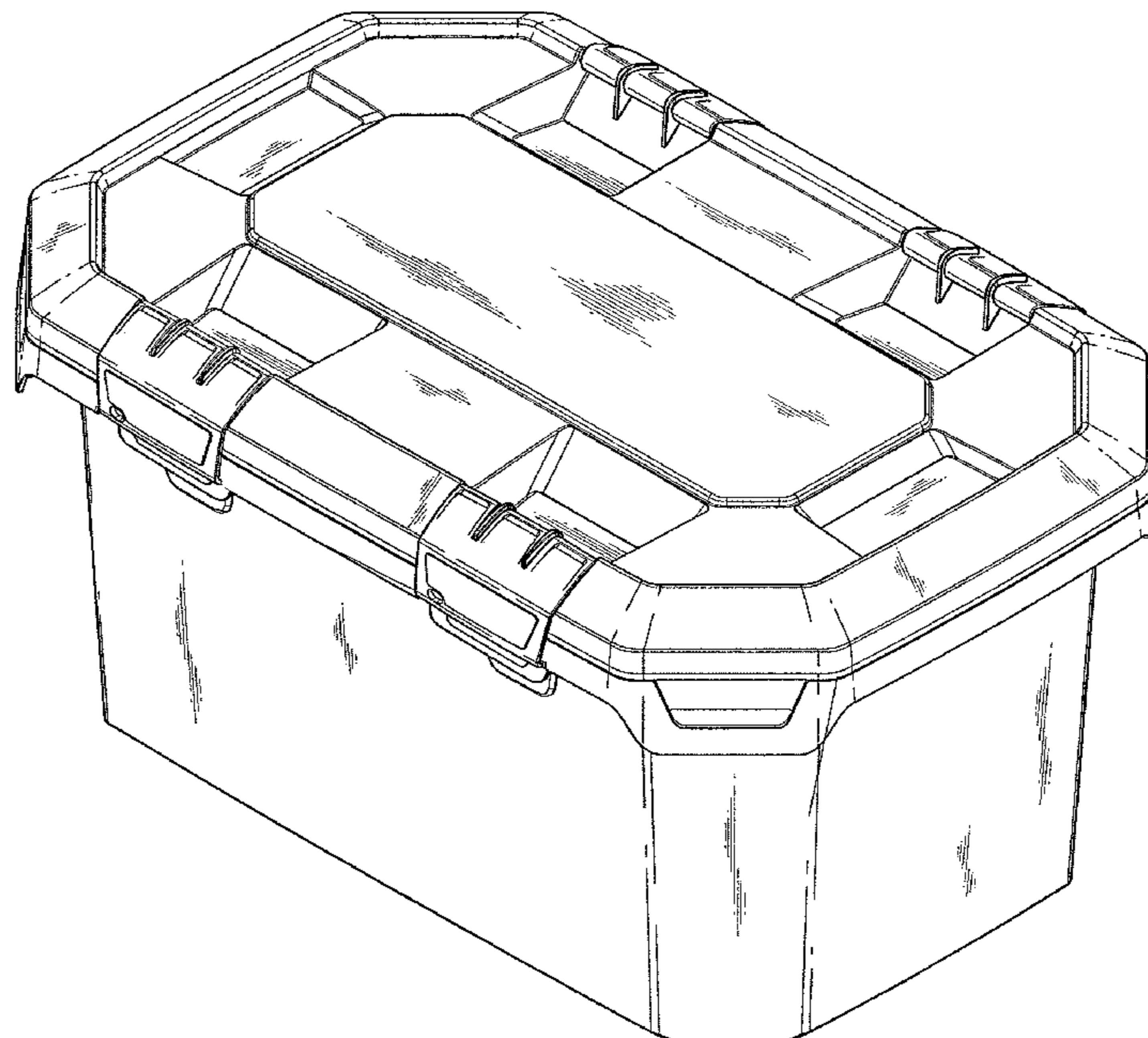
FIG. 5 is a right elevational view thereof;

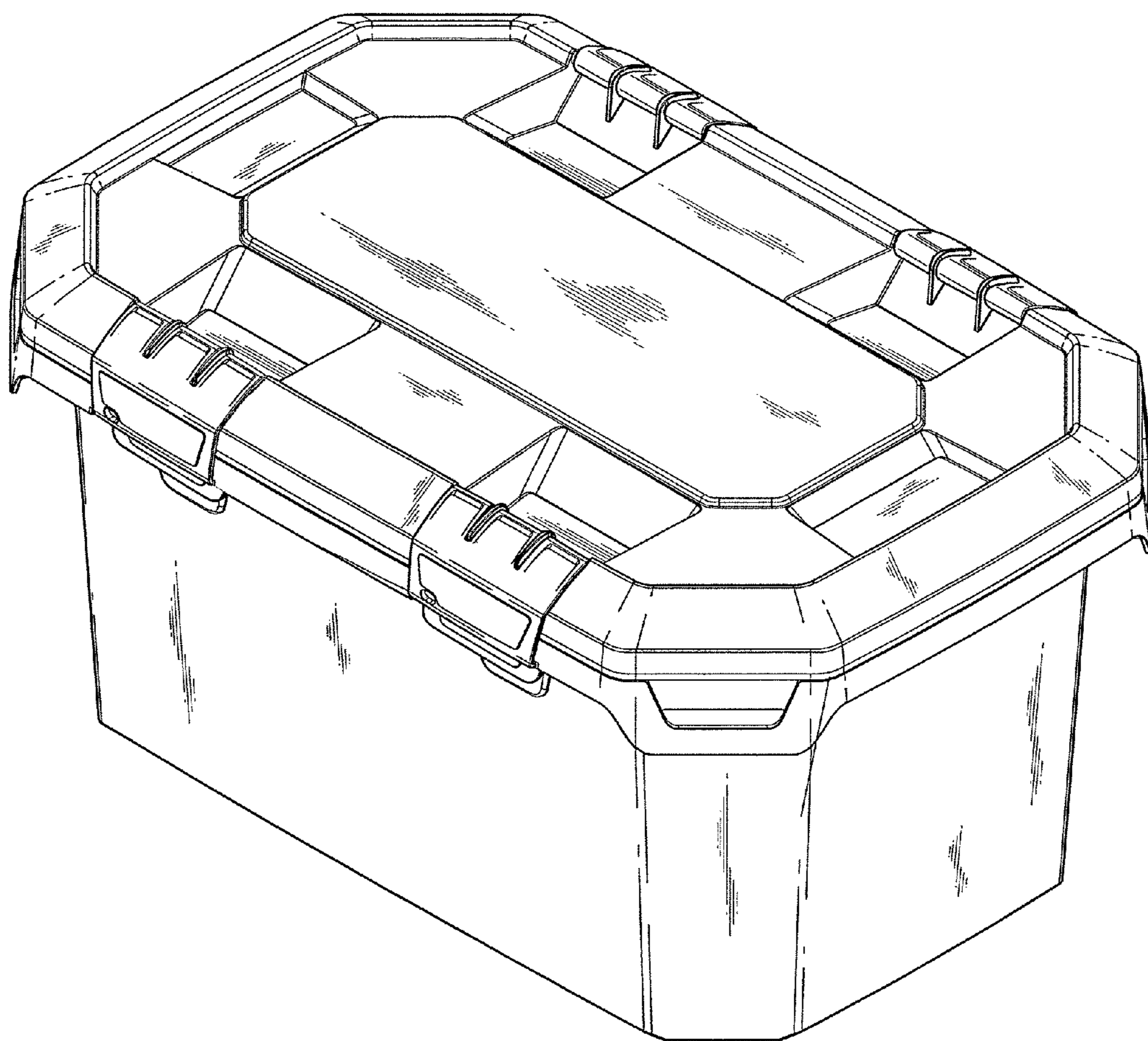
FIG. 6 is a left elevational view thereof;

FIG. 7 is a top plan view thereof; and,

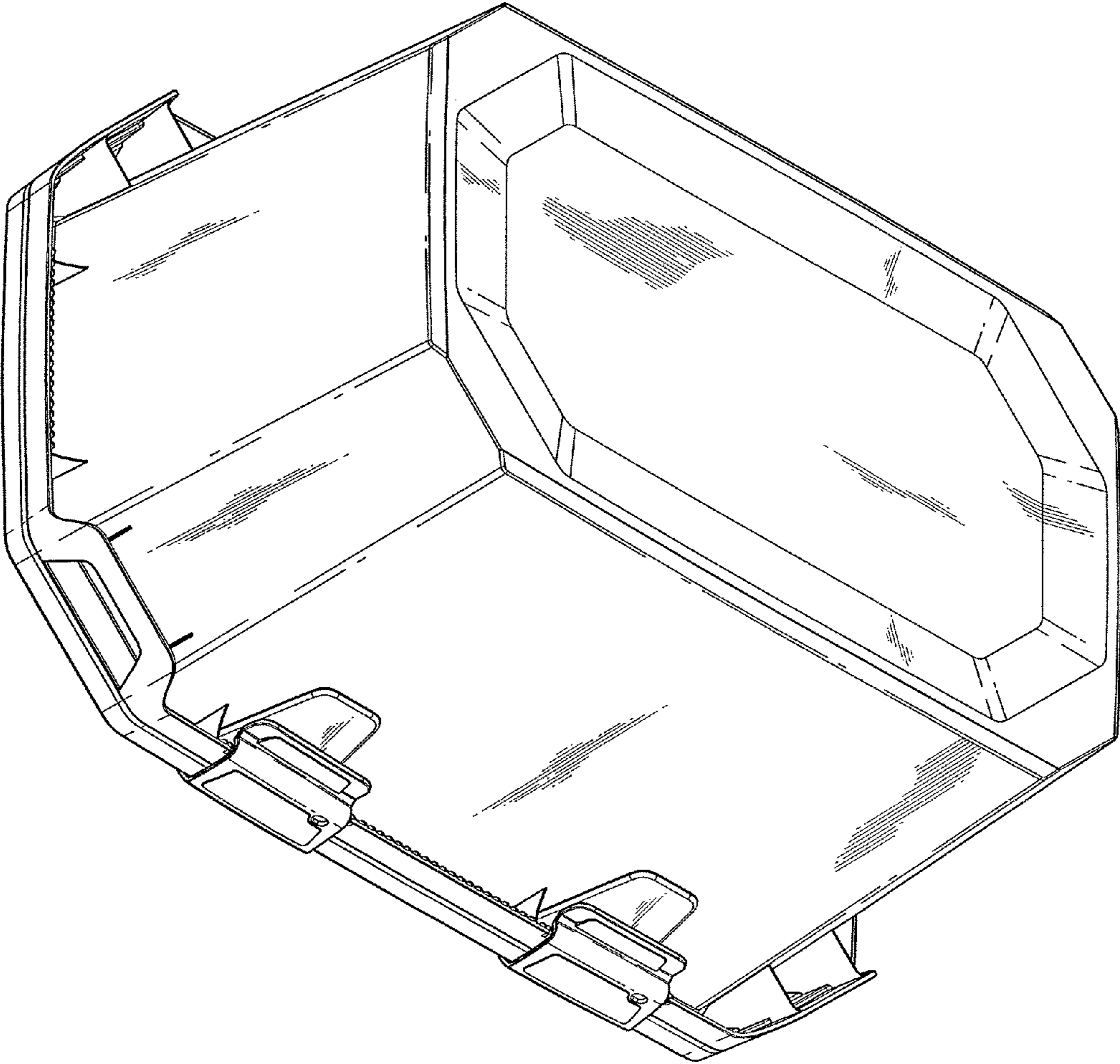
FIG. 8 is a bottom plan view thereof.

**1 Claim, 8 Drawing Sheets**

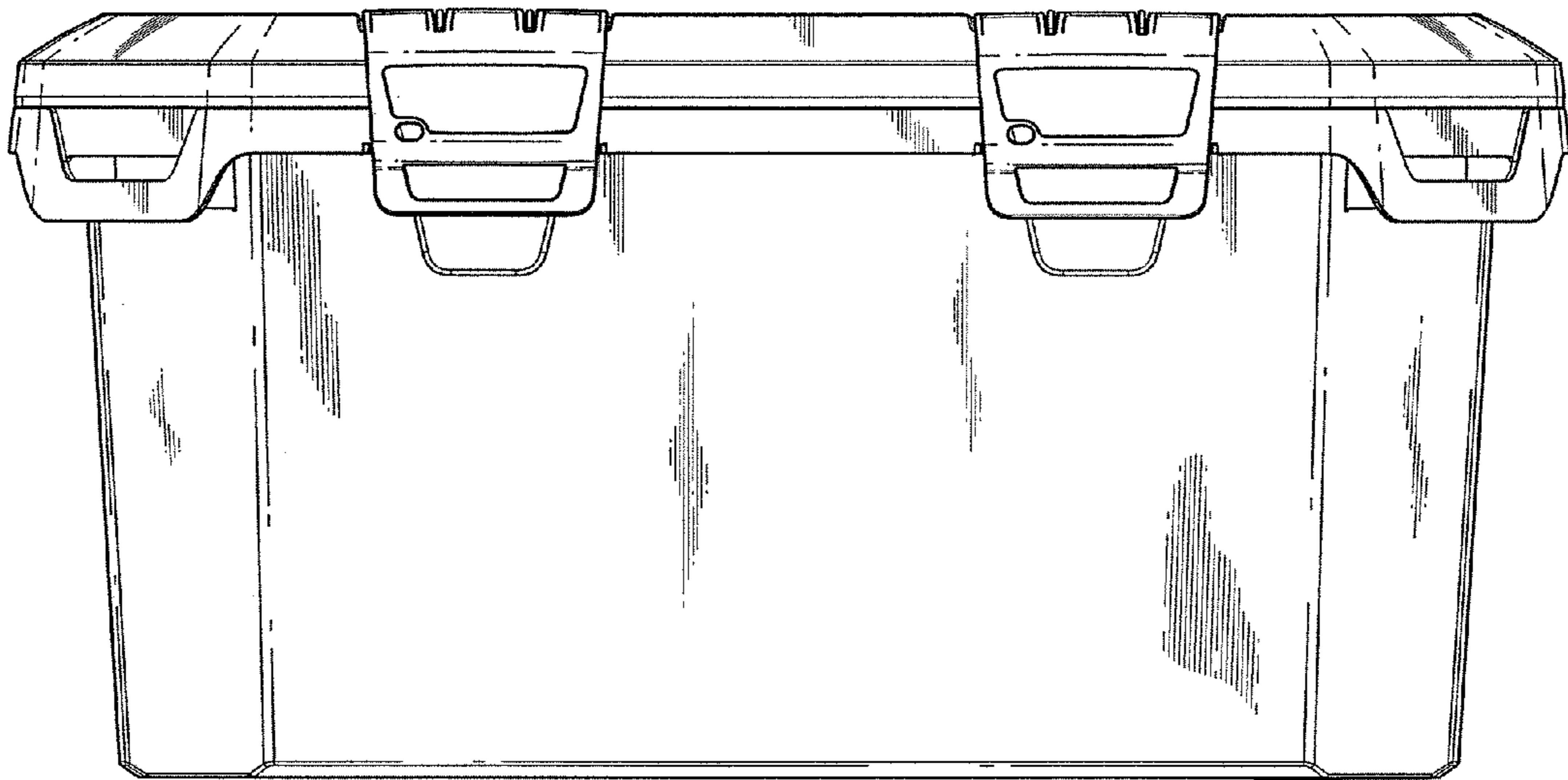




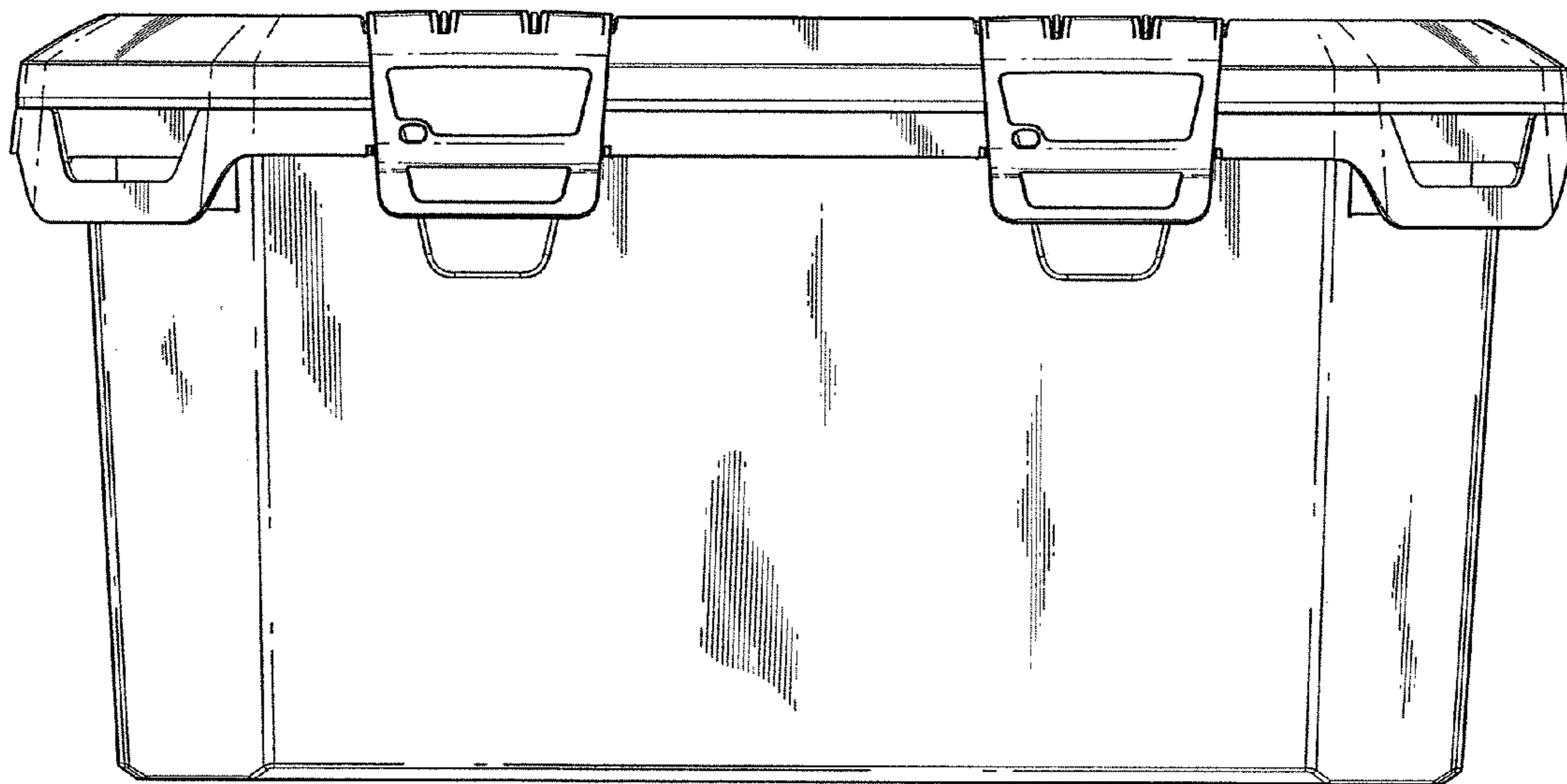
*Fig. 1*



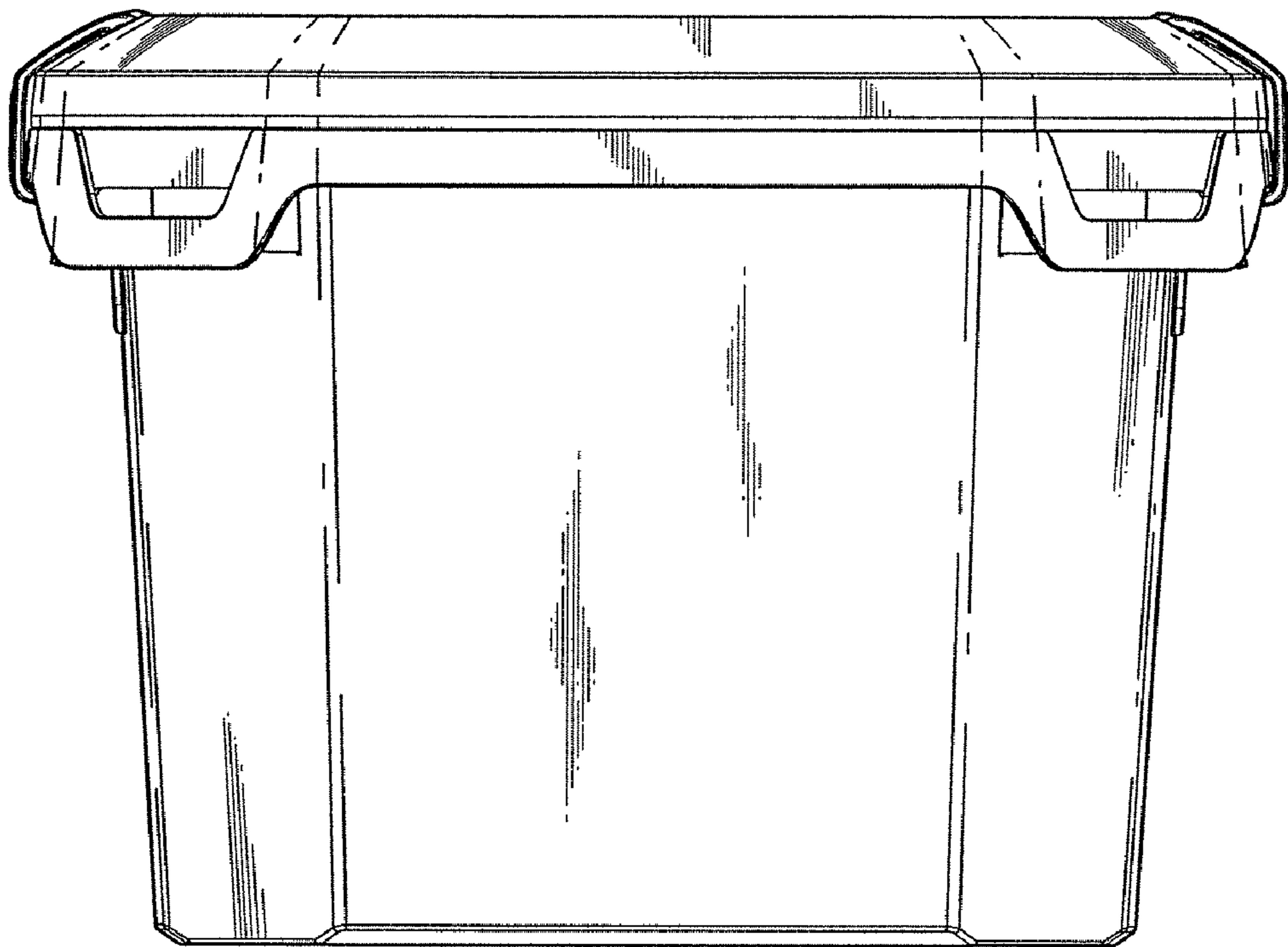
*Fig. 2*



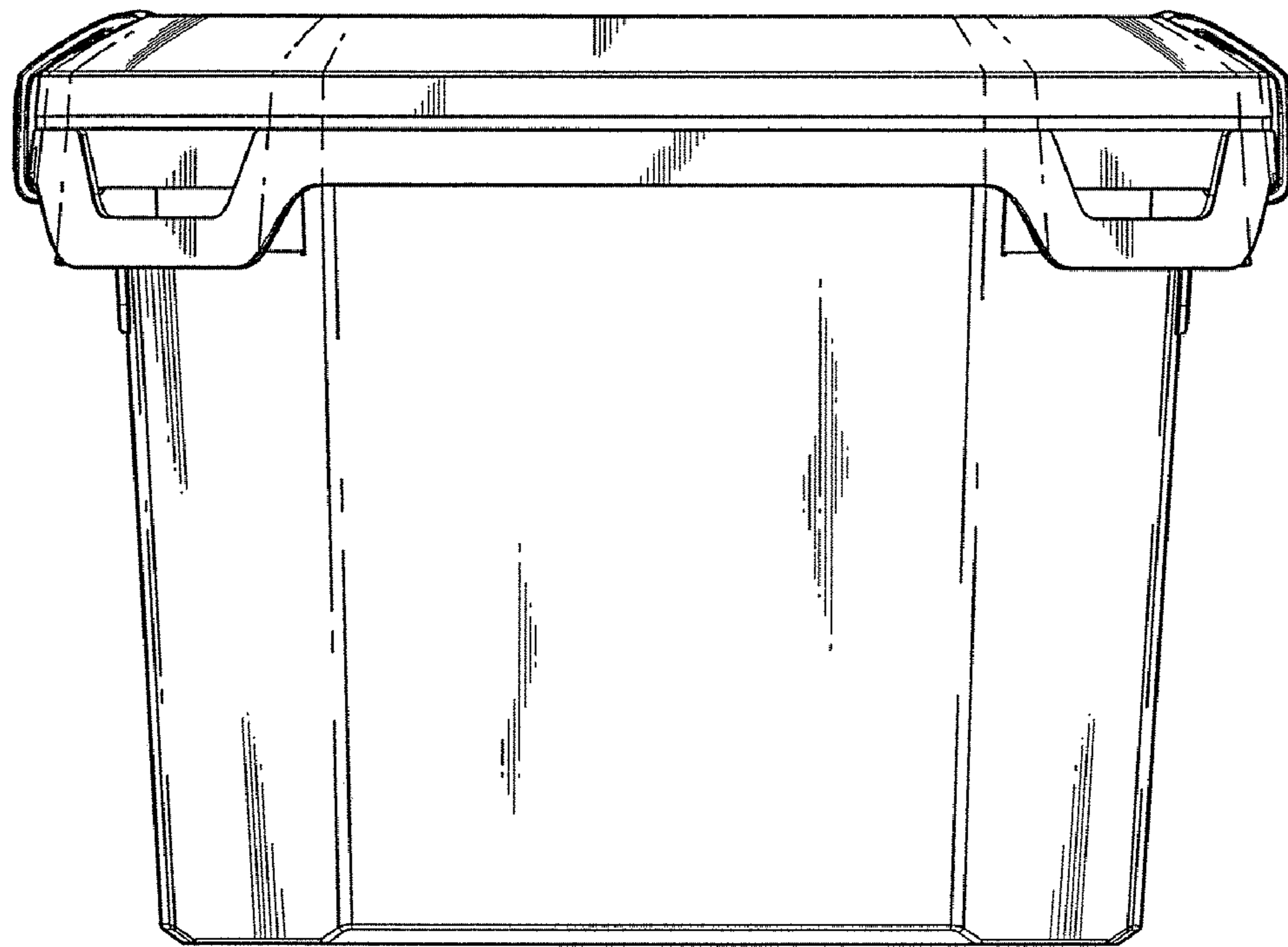
*Fig. 3*



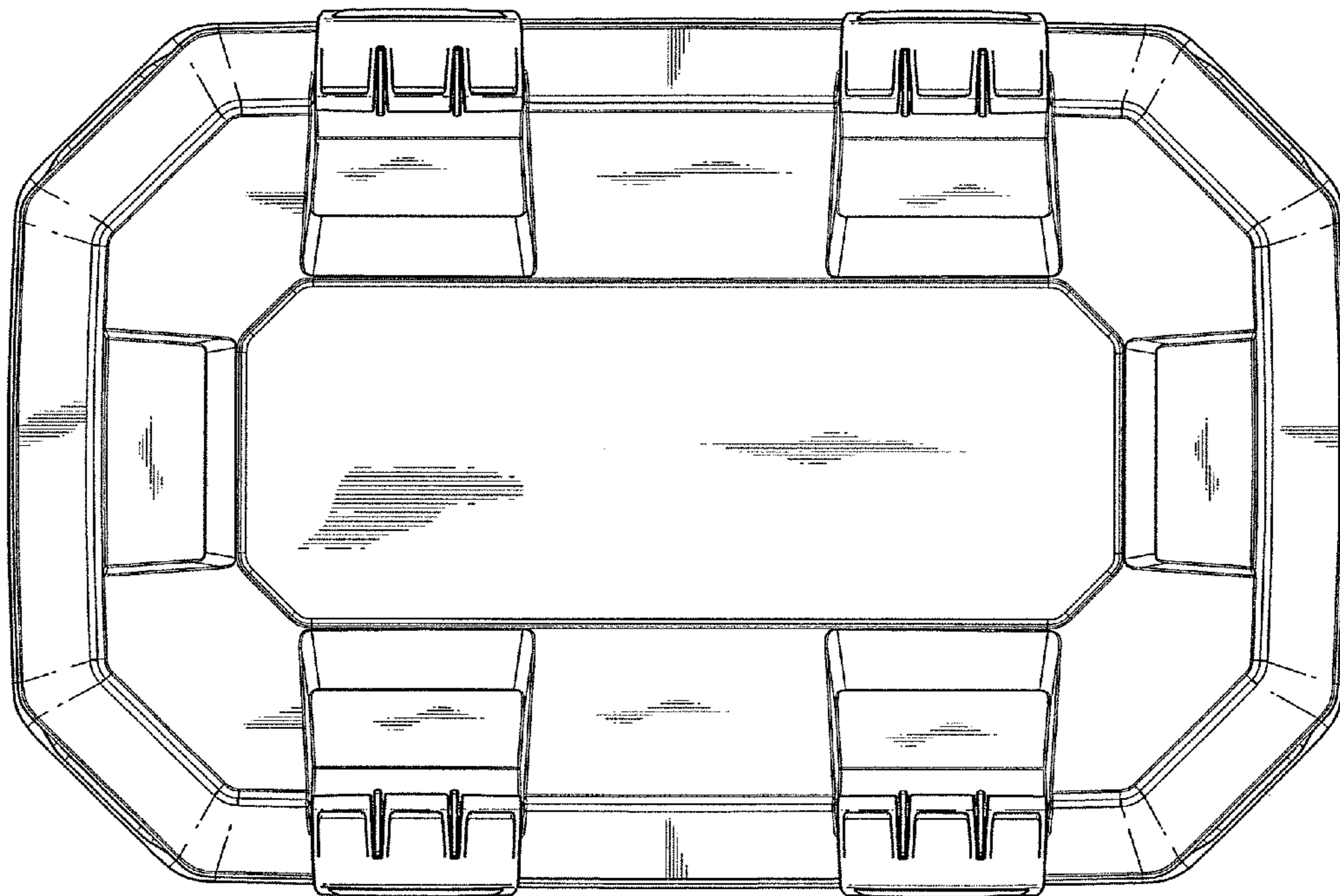
**Fig. 4**



***Fig. 5***

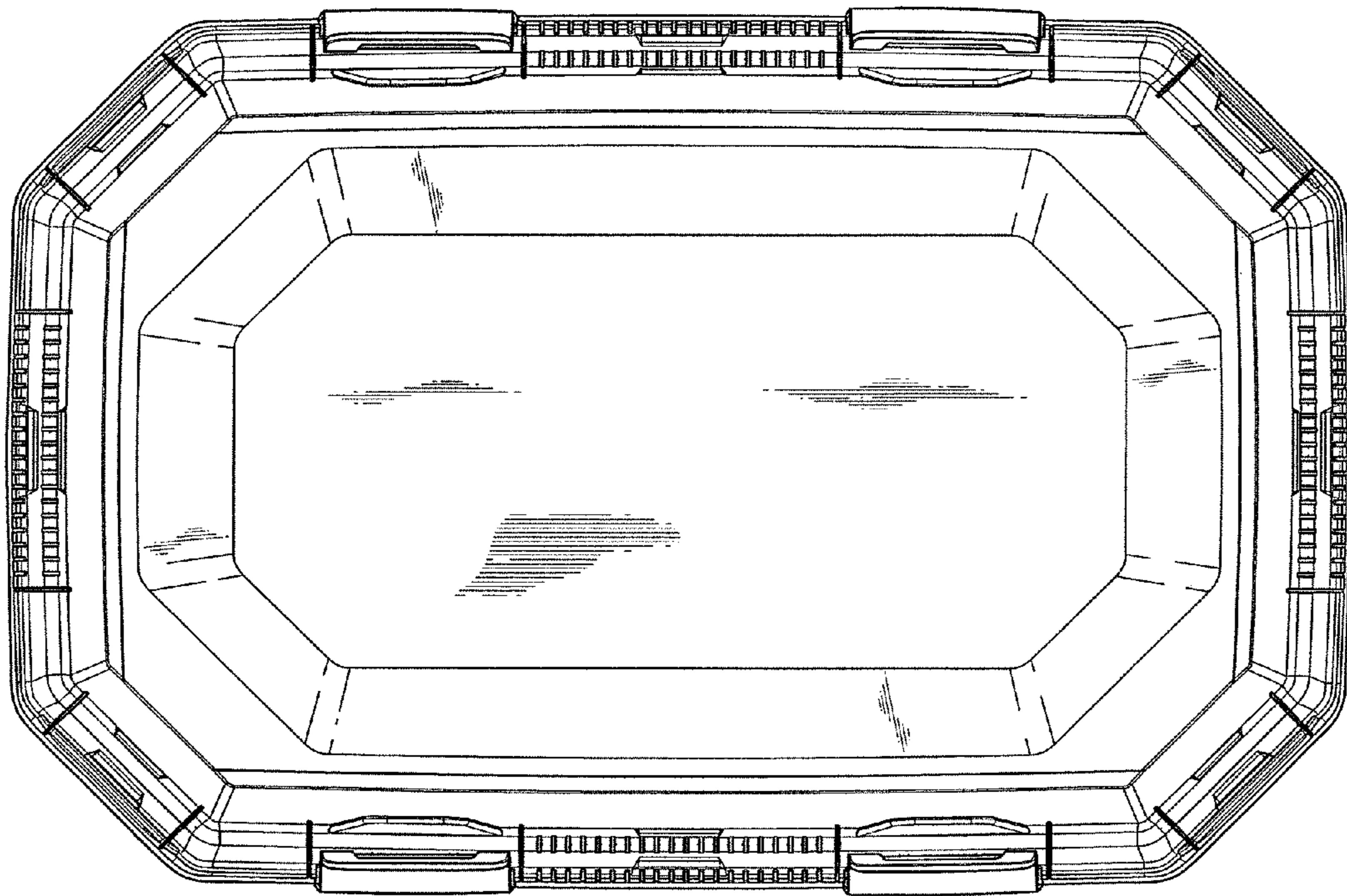


***Fig. 6***



*Fig. 7*





*Fig. 8*