



US00D650171S

(12) **United States Design Patent**
Kanner

(10) **Patent No.:** **US D650,171 S**

(45) **Date of Patent:** **** Dec. 13, 2011**

(54) **CONTACT LENS CASE**

D571,610 S * 6/2008 Bodum D7/399
D624,789 S * 10/2010 Bodum D7/510

(75) Inventor: **Rowland W. Kanner**, Guntersville, AL
(US)

* cited by examiner

(73) Assignee: **Atrion Medical Products, Inc.**, Arab,
AL (US)

Primary Examiner — David Muller

(74) *Attorney, Agent, or Firm* — Clark Hill PLC

(**) Term: **14 Years**

(57) **CLAIM**

The ornamental design for a contact lens case, as shown and described.

(21) Appl. No.: **29/376,335**

DESCRIPTION

(22) Filed: **Oct. 5, 2010**

(51) **LOC (9) Cl.** **03-01**

(52) **U.S. Cl.** **D3/264**

(58) **Field of Classification Search** D3/263,
D3/264, 266, 201; 206/5, 5.1, 6; D24/216-218,
D24/224; D7/510, 511, 523, 399; D9/500,
D9/503, 504; 220/669, 670, 673, 675
See application file for complete search history.

FIG. 1 is a perspective view of a contact lens case showing my new design;

FIG. 2 is a side elevational view thereof;

FIG. 3 is a side elevational view of the side opposite the side shown in FIG. 2;

FIG. 4 is a front elevational view thereof;

FIG. 5 is a rear elevational view thereof;

FIG. 6 is a top plan view thereof;

FIG. 7 is a bottom plan view thereof;

FIG. 8 is a perspective view of the integral cap and lens support structure of the contact lens case shown in FIGS. 1-7;

FIG. 9 is a top plan view thereof;

FIG. 10 is a front elevational view thereof;

FIG. 11 is a rear elevational view thereof;

FIG. 12 is a side elevational view thereof;

FIG. 13 is a side elevational view of the side opposite the side shown in FIG. 12; and,

FIG. 14 is a bottom plan view thereof.

The separate showing of the integral cap and lens support structure in FIGS. 8-14 is for ease of illustration only.

(56) **References Cited**

U.S. PATENT DOCUMENTS

5,089,240	A *	2/1992	Perlaky	206/5.1
5,186,317	A *	2/1993	Ryder et al.	206/5.1
5,366,078	A *	11/1994	Braun	206/5.1
5,388,686	A *	2/1995	Kanner et al.	206/5.1
D356,591	S *	3/1995	Kanner et al.	D3/264
D366,361	S *	1/1996	Kanner et al.	D3/264
6,000,534	A *	12/1999	Koomruian, Jr.	206/5.1
D420,744	S *	2/2000	Ostgaard et al.	D24/224
6,148,992	A *	11/2000	Kanner et al.	206/5.1
6,688,487	B2 *	2/2004	Oakes et al.	220/669
6,945,389	B2 *	9/2005	Scherer et al.	206/5.1

1 Claim, 5 Drawing Sheets

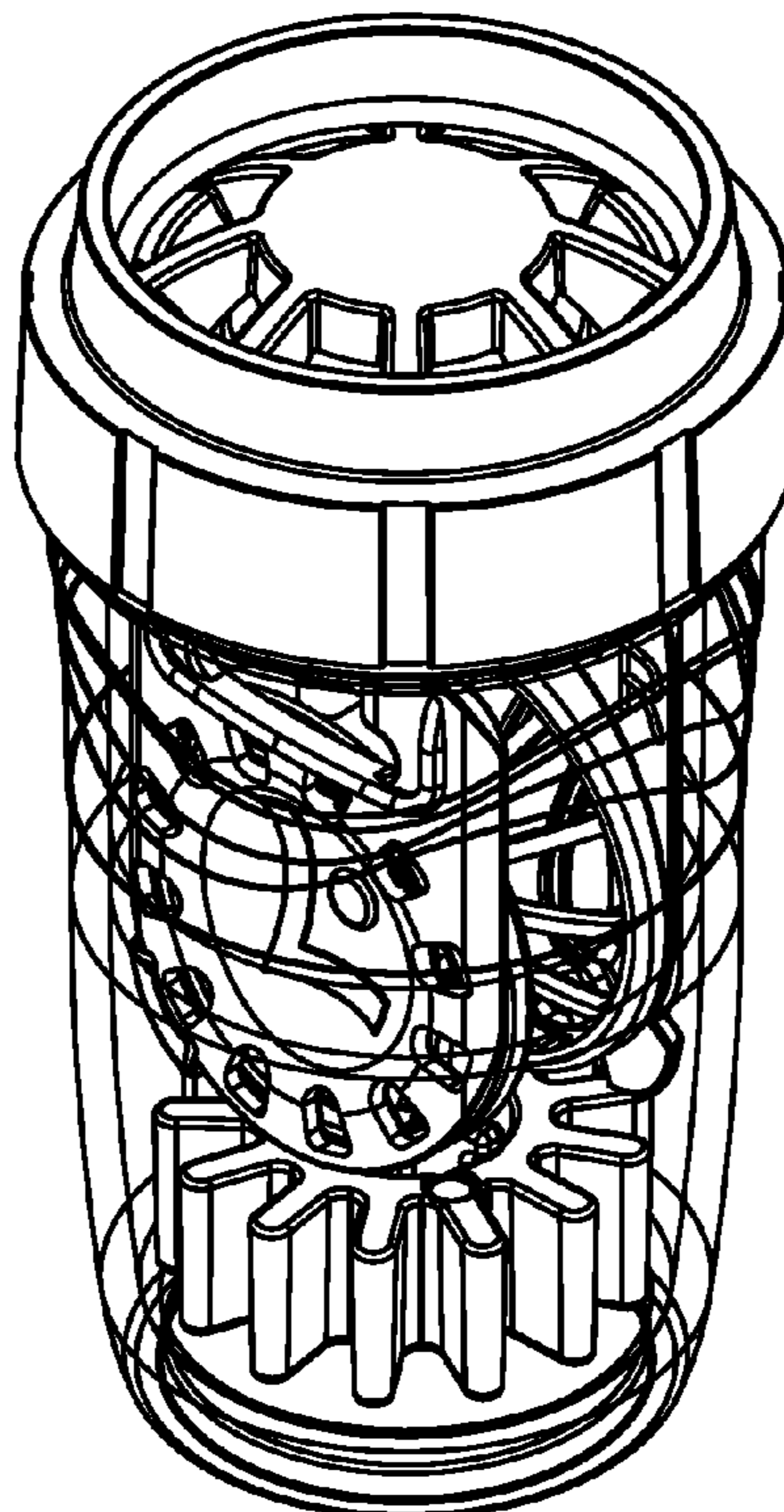


FIG. 1

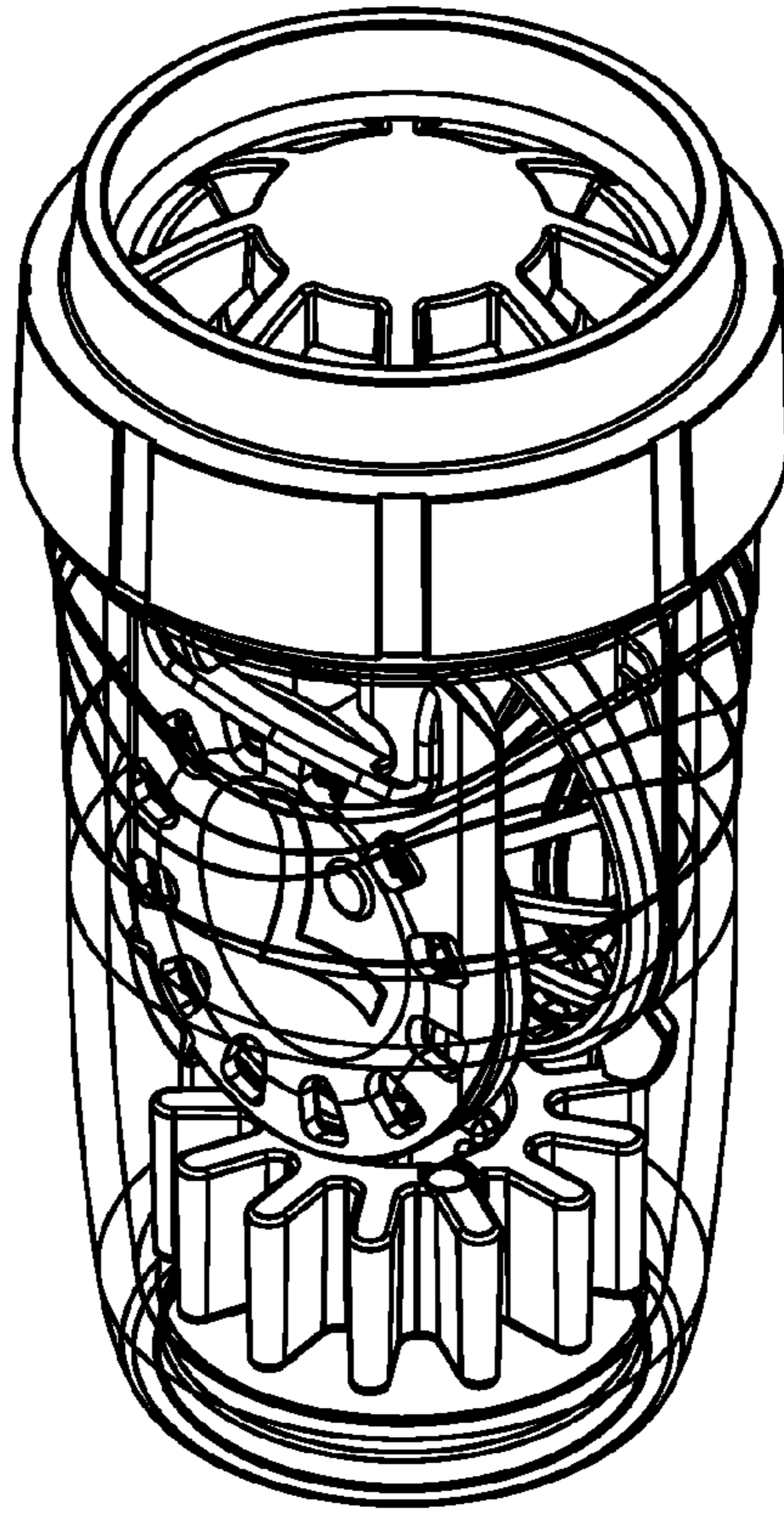


FIG. 2

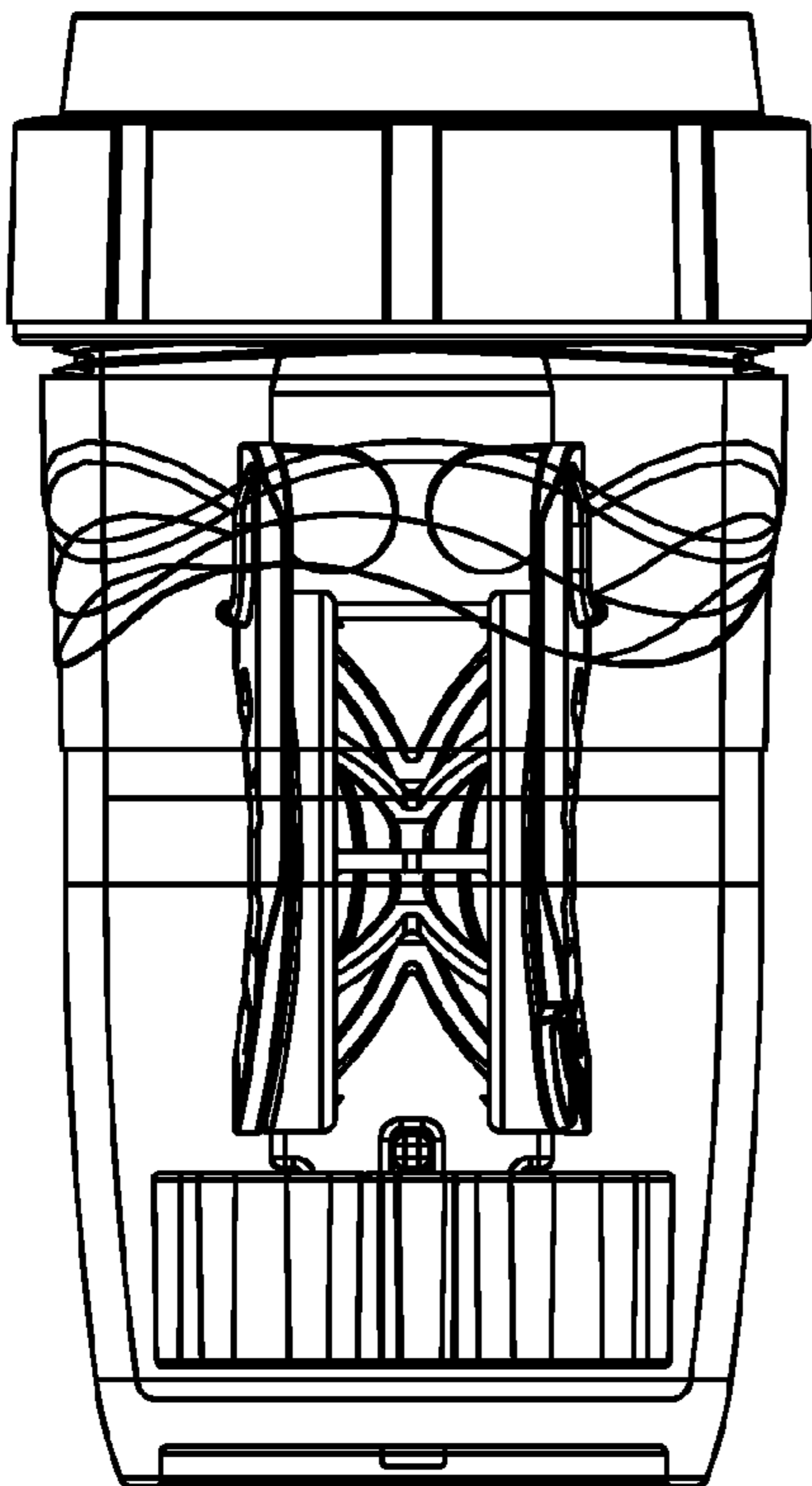


FIG. 3

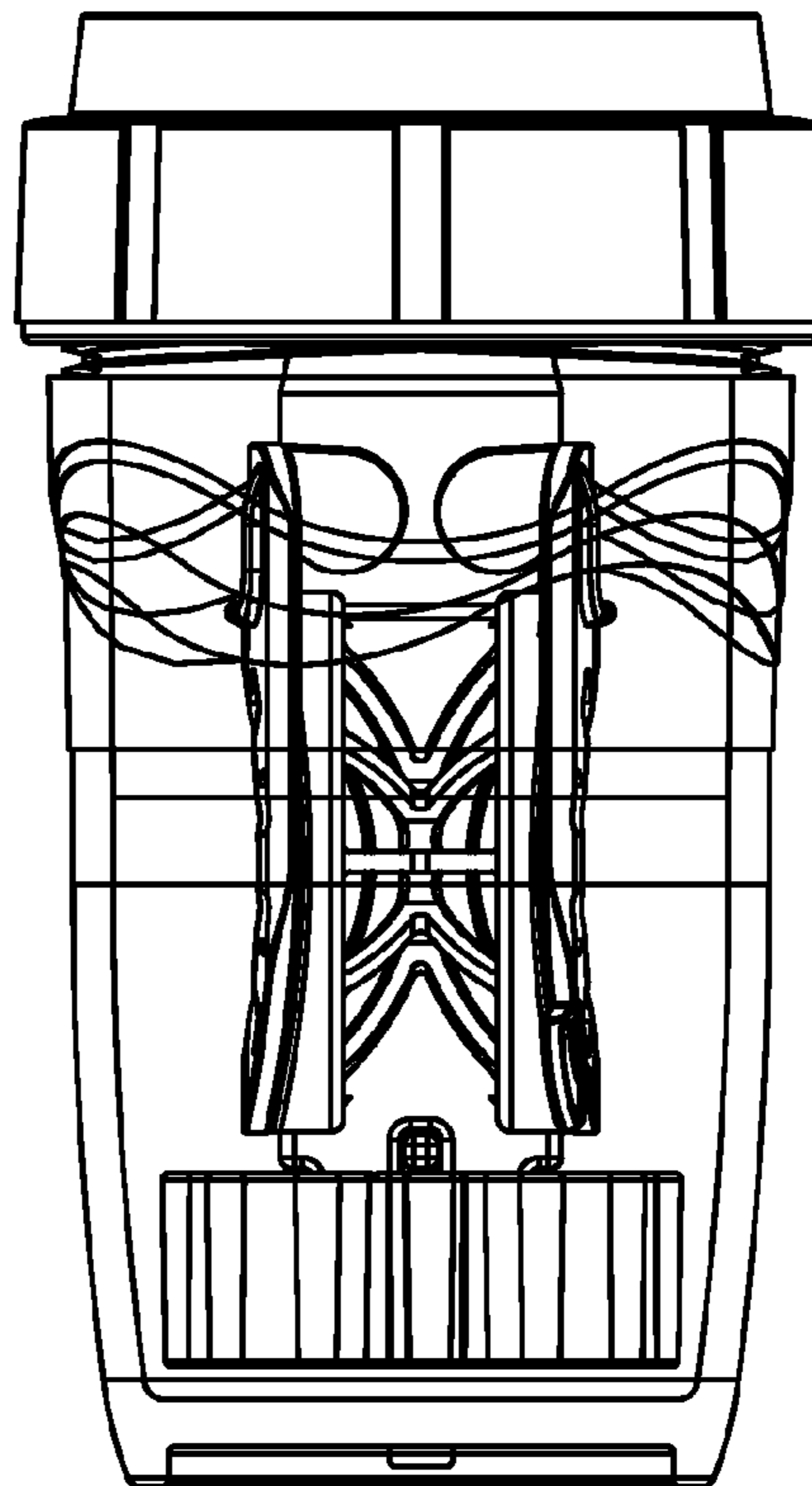


FIG. 4

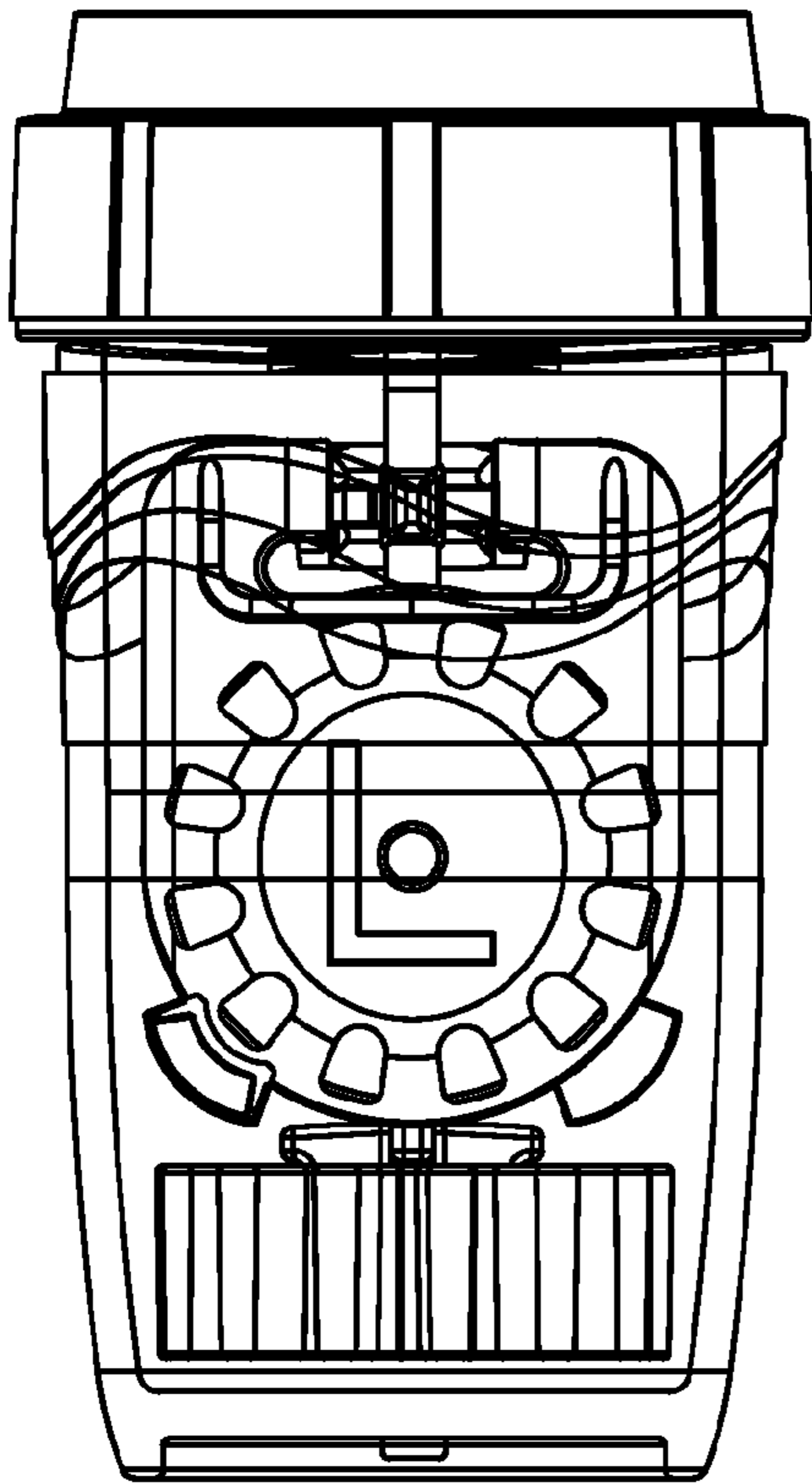


FIG. 5

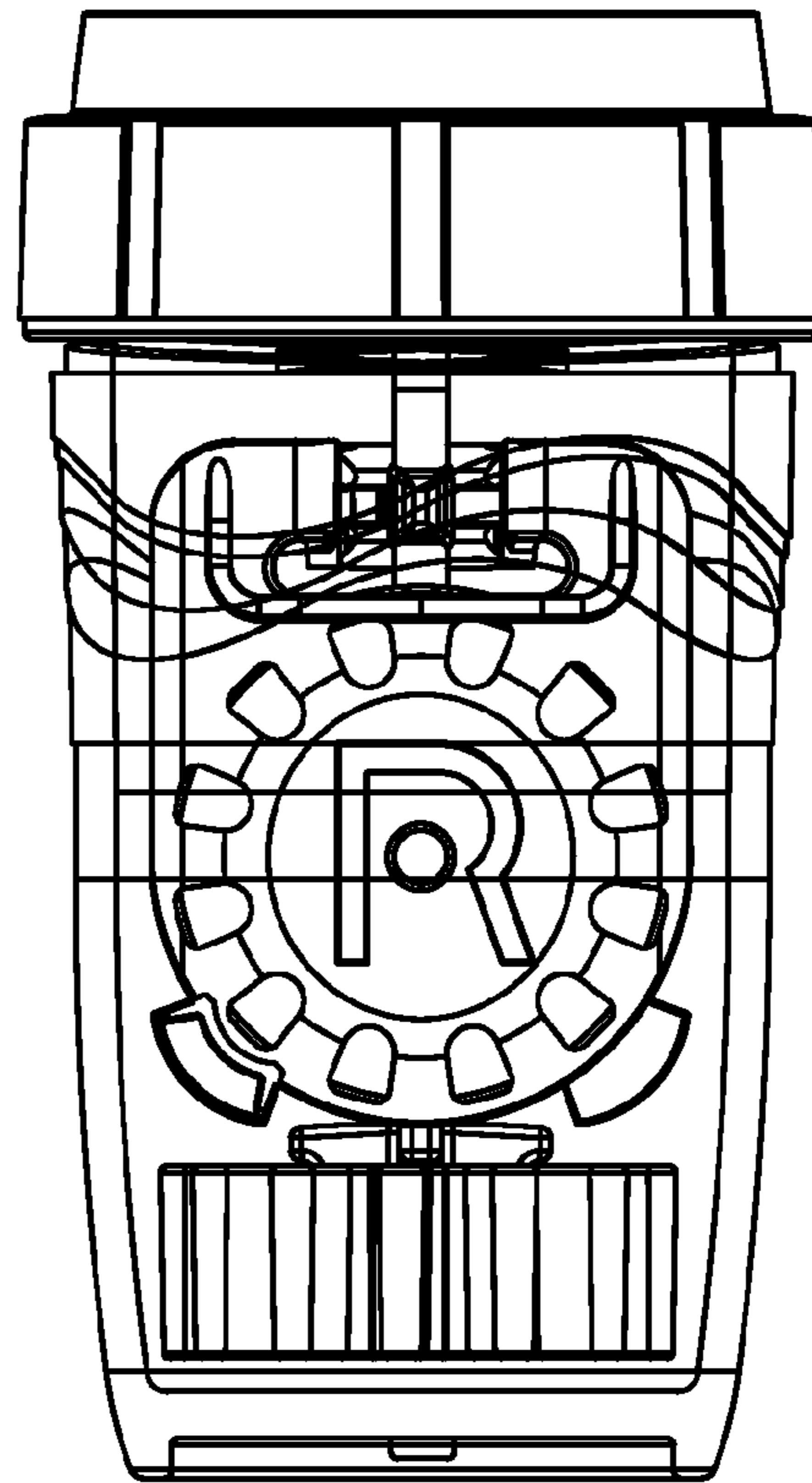


FIG. 6

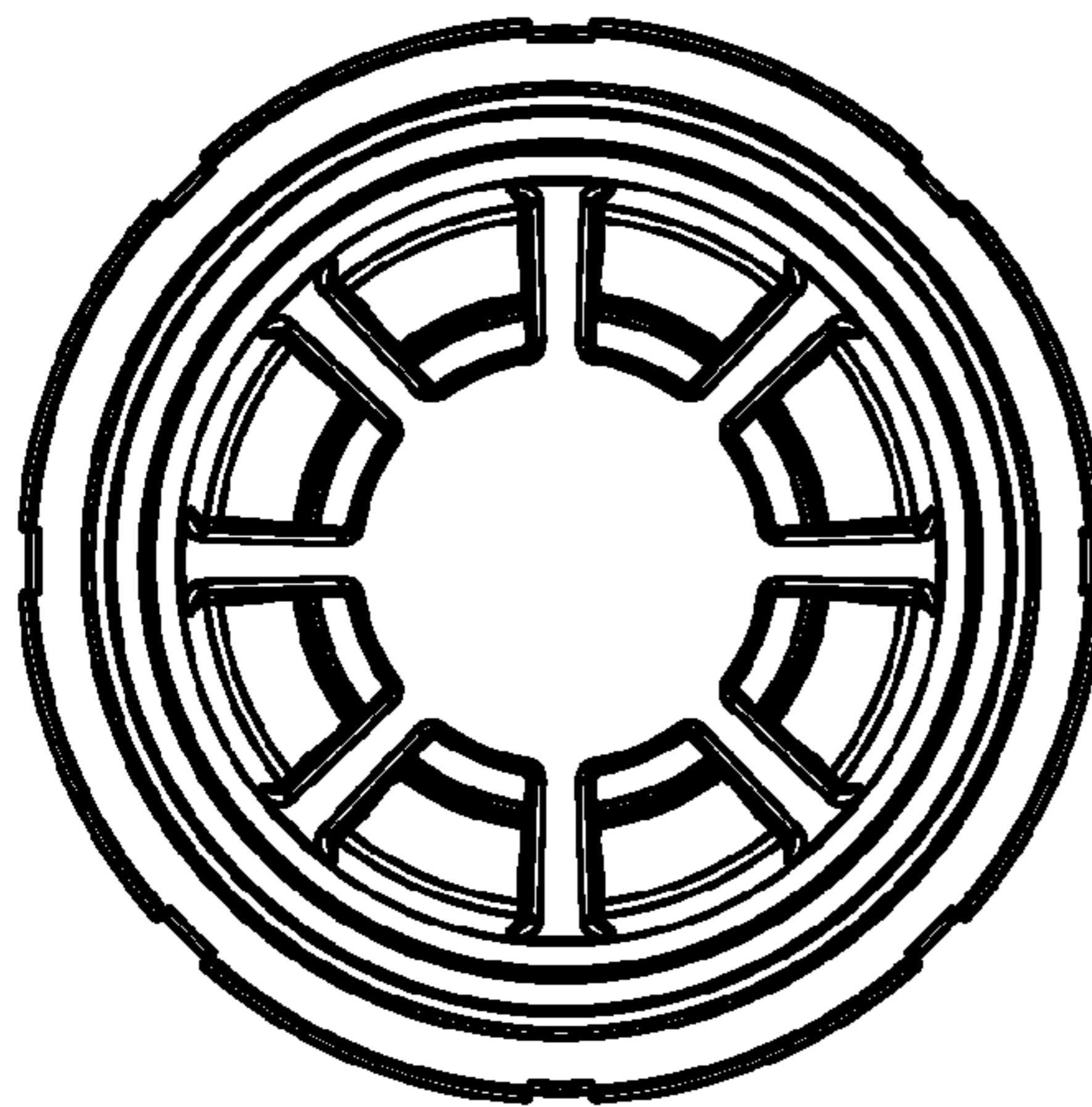


FIG. 7

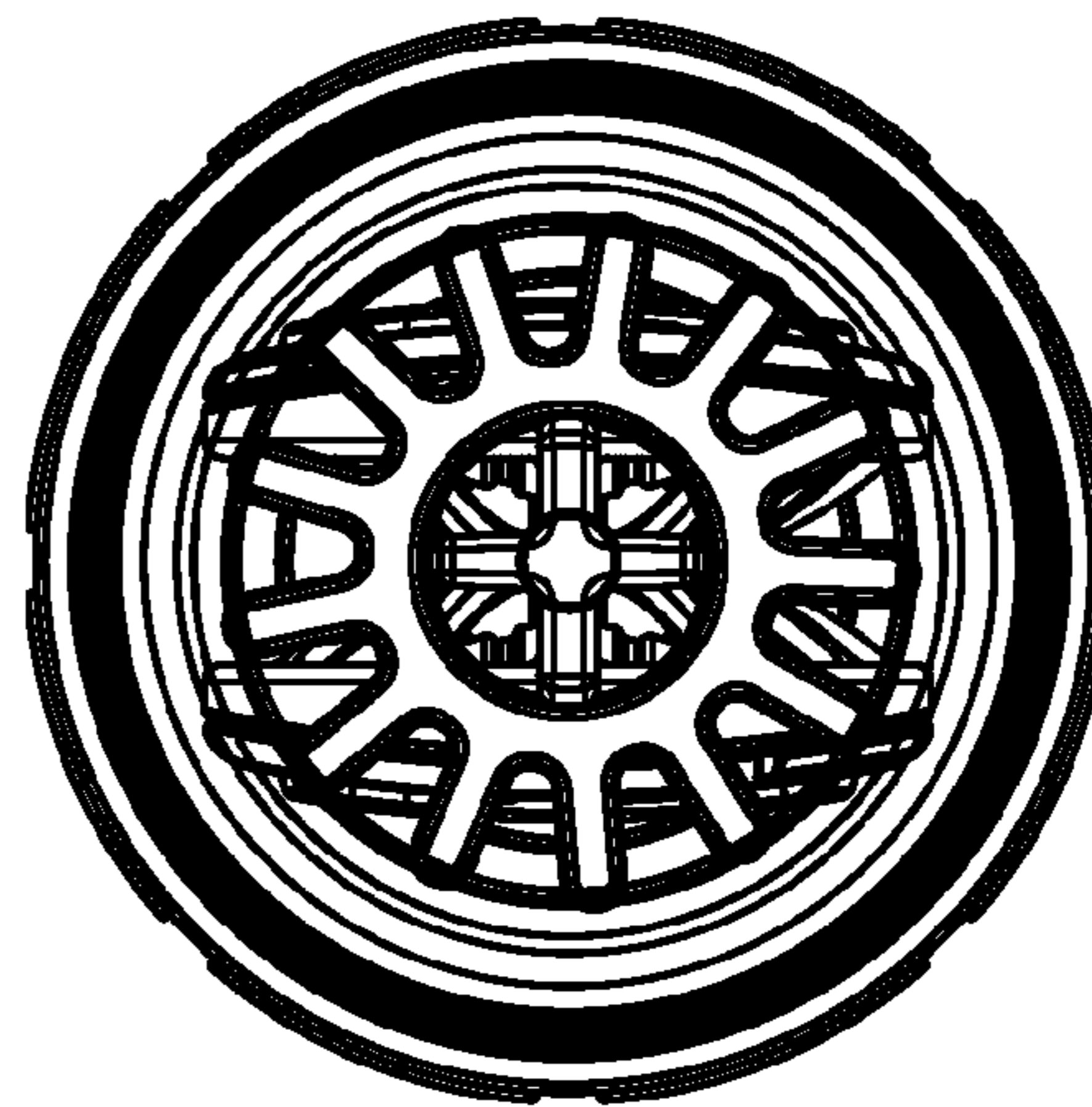


FIG. 8

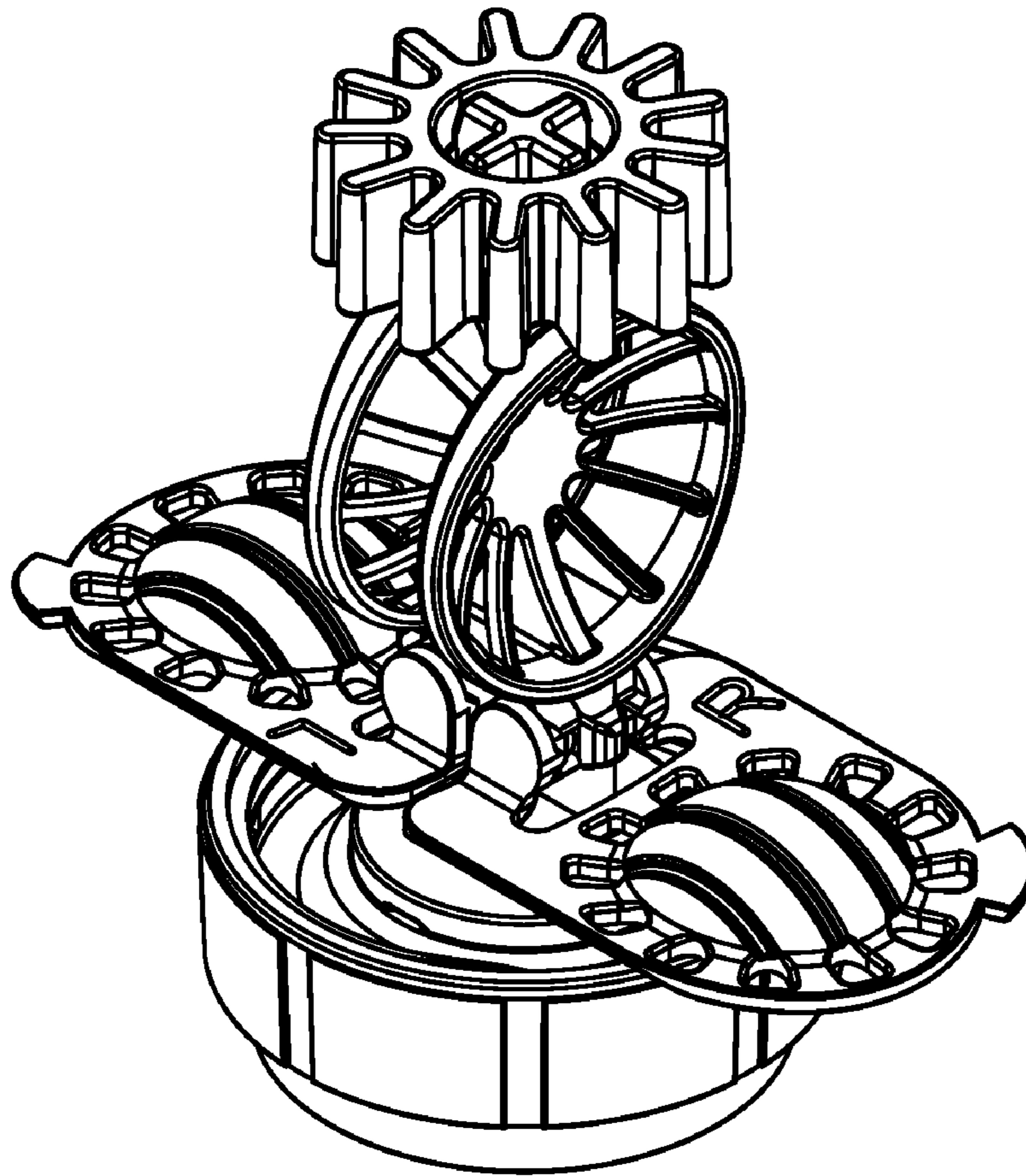


FIG. 9

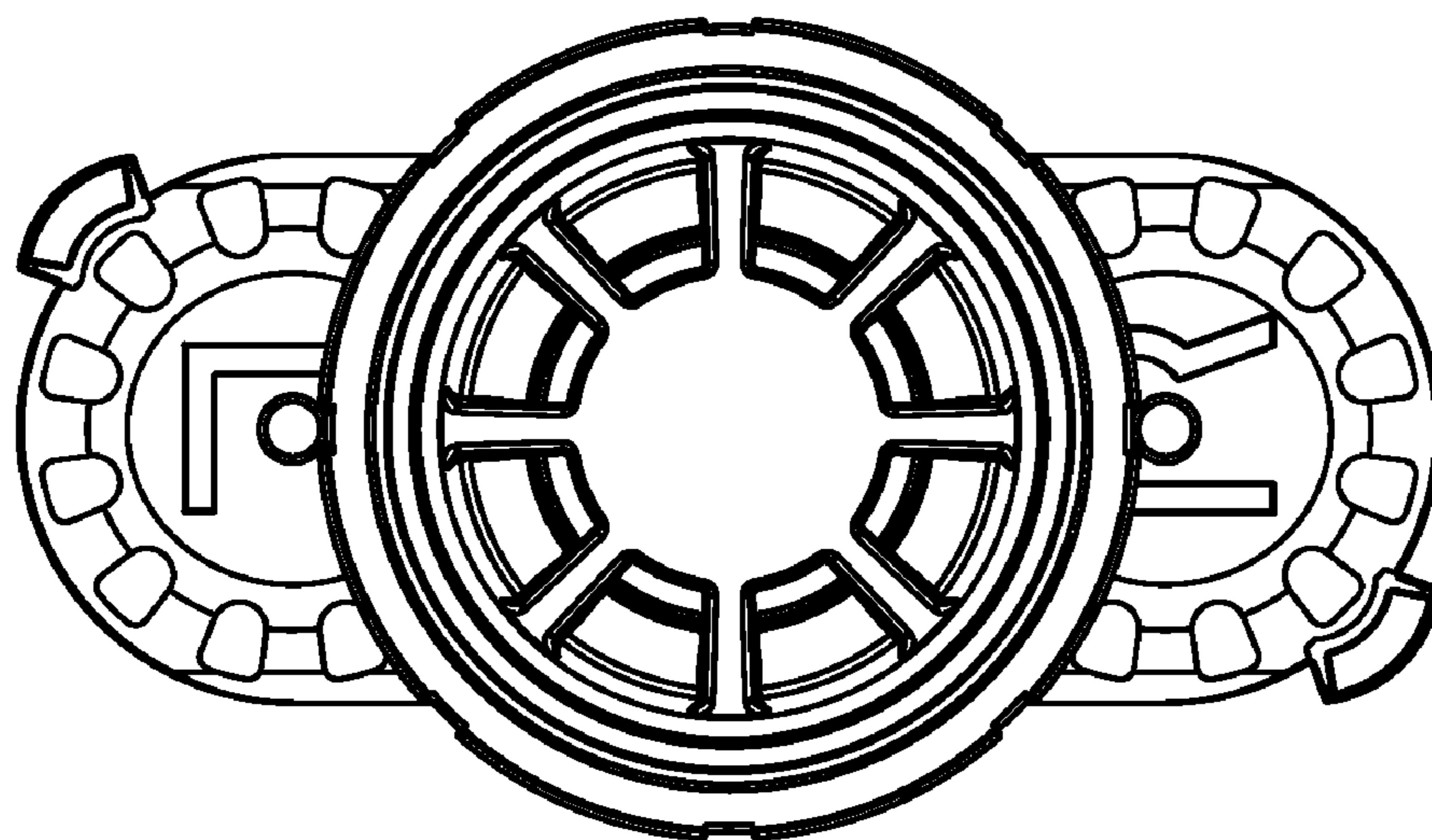


FIG. 10

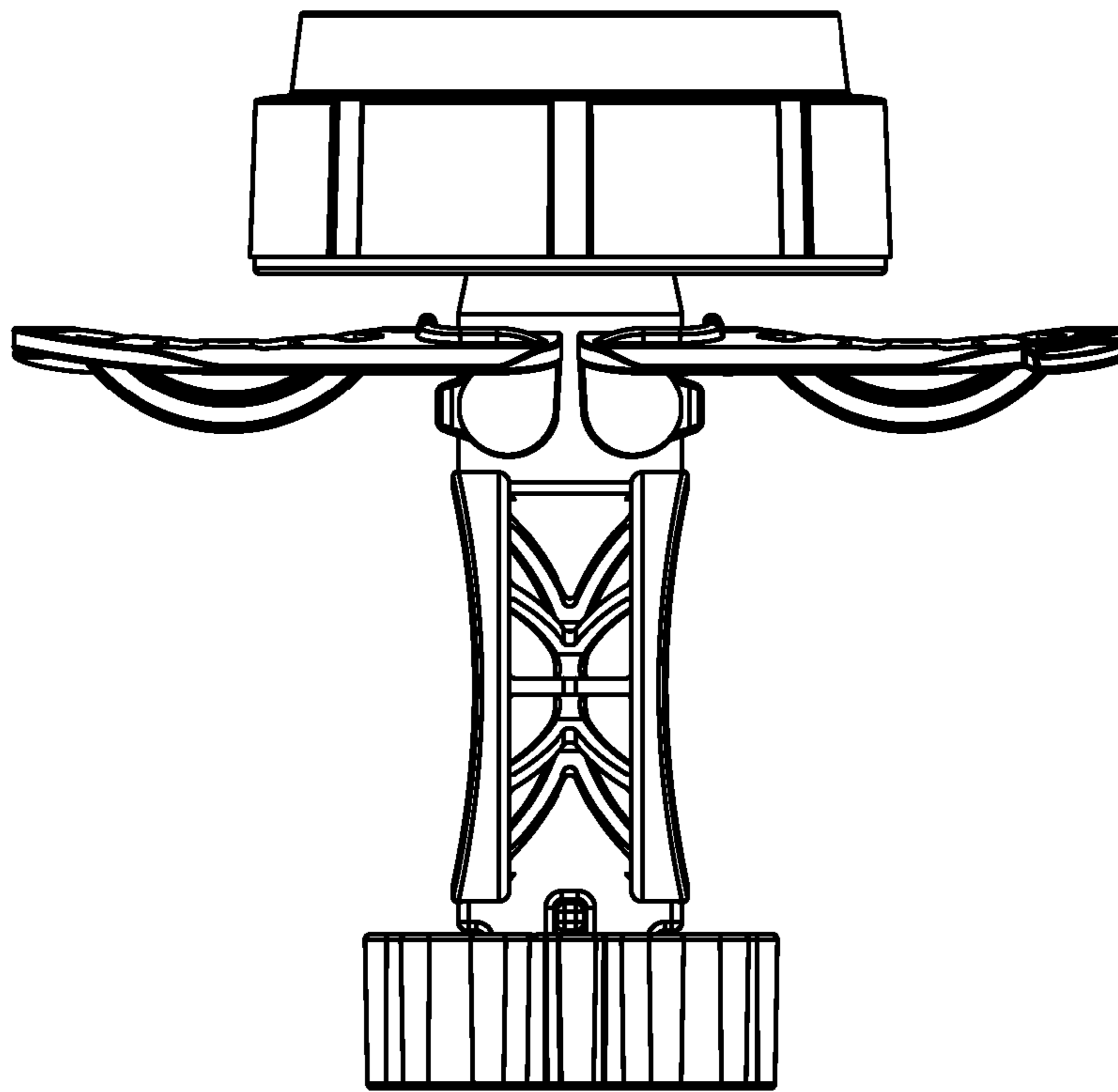


FIG. 11

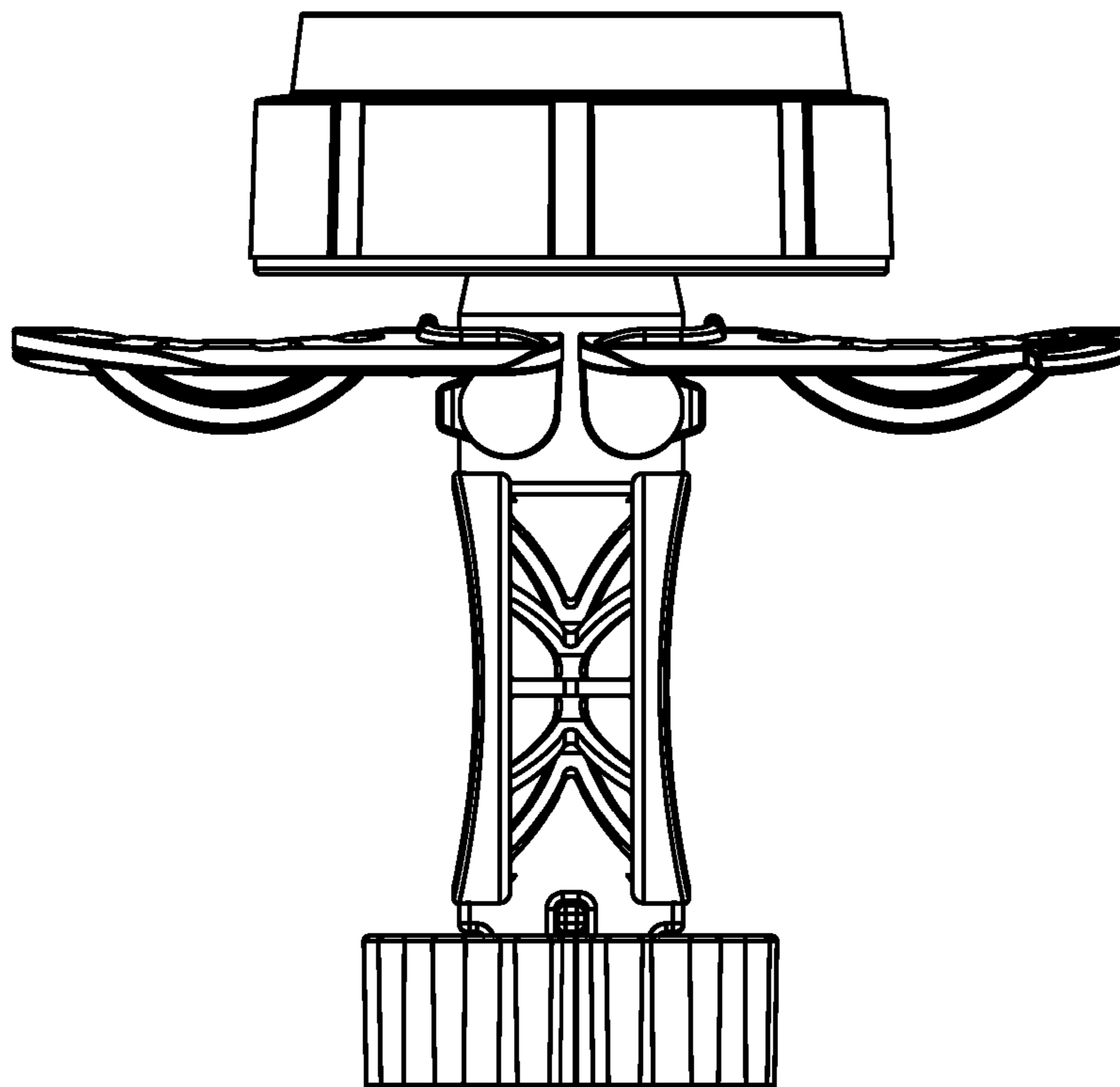


FIG. 12

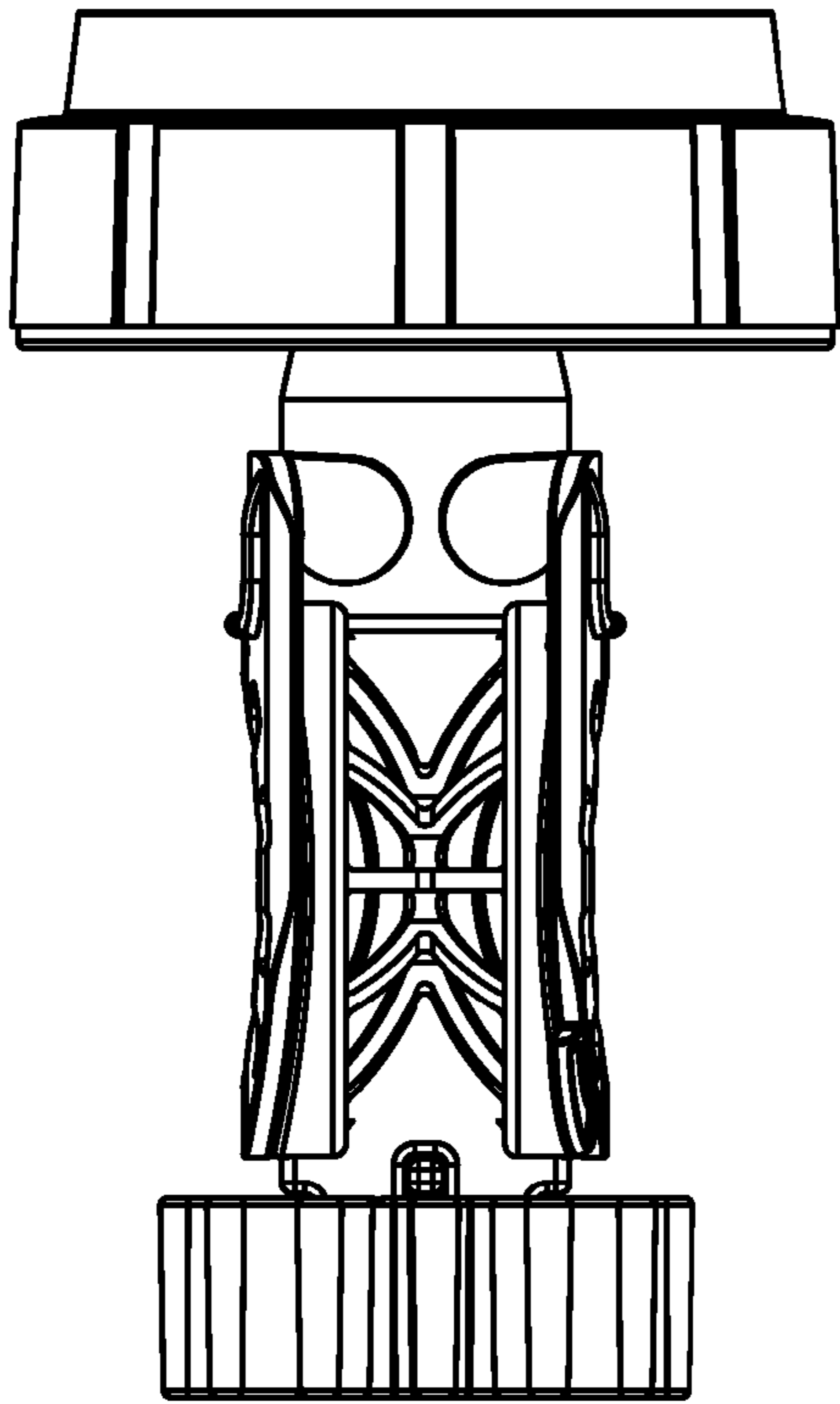


FIG. 13

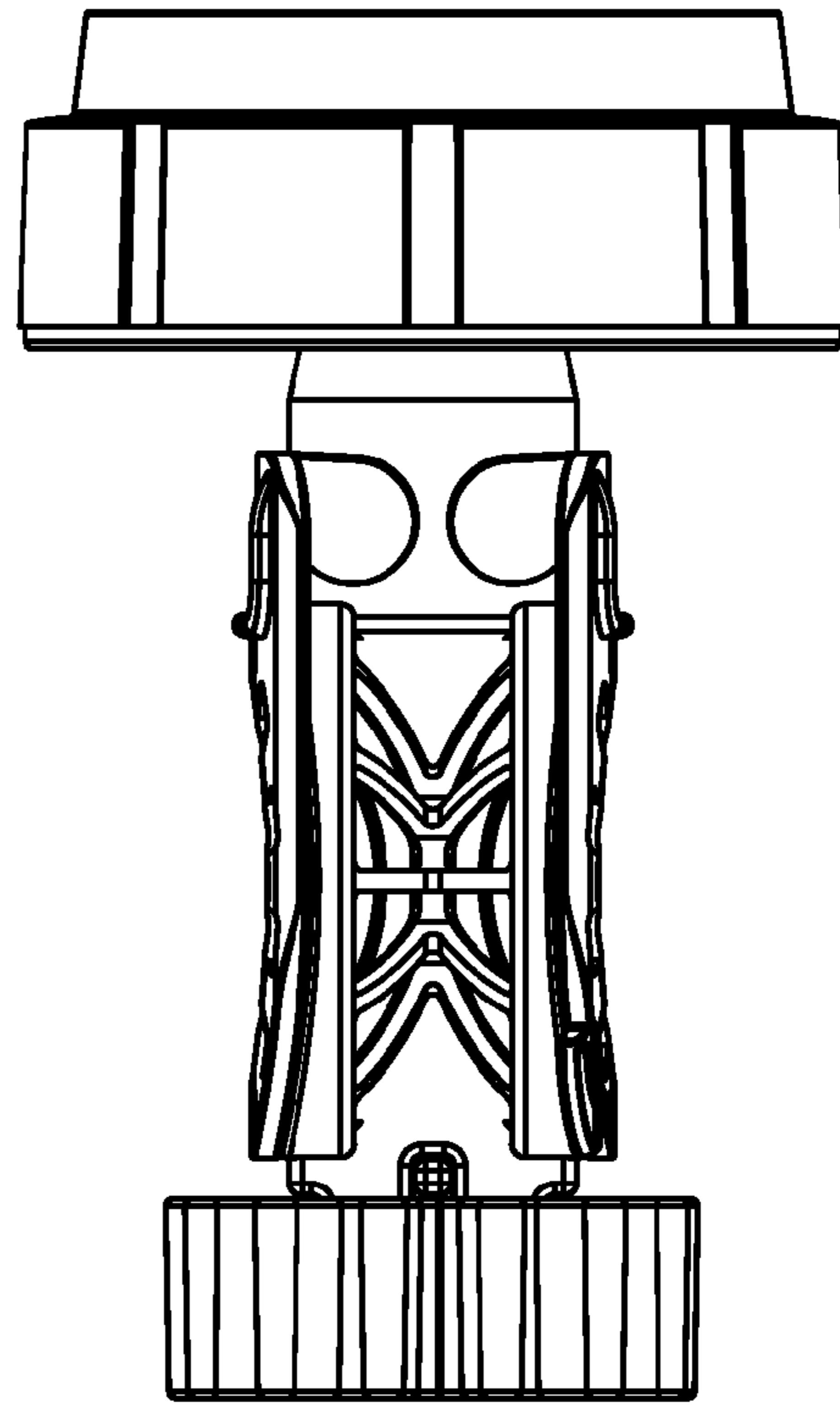


FIG. 14

