



US00D650160S

(12) **United States Design Patent**
Issler

(10) **Patent No.:** **US D650,160 S**
(45) **Date of Patent:** **** Dec. 13, 2011**

- (54) **UPPER FOR A SHOE**
- (75) Inventor: **David C. Issler**, Andover, MA (US)
- (73) Assignee: **Columbia Insurance Company**,
Omaha, NE (US)
- (**) Term: **14 Years**
- (21) Appl. No.: **29/394,522**
- (22) Filed: **Jun. 17, 2011**
- (51) **LOC (9) Cl.** **02-99**
- (52) **U.S. Cl.** **D2/970; D2/911**
- (58) **Field of Classification Search** D2/896,
D2/900, 909-911, 920, 943, 946, 969, 970,
D2/974; 36/83, 1.5, 2 R, 109, 3 A, 7.1 R,
36/45, 52, 112, 100
See application file for complete search history.

- D199,558 S * 11/1964 Cohn D2/912
- D228,832 S * 10/1973 Robinson D2/912
- D544,188 S * 6/2007 Le D2/970
- D572,894 S * 7/2008 Le D2/970
- D575,050 S * 8/2008 St-Louis et al. D2/970
- D578,747 S * 10/2008 Le D2/970
- D581,646 S * 12/2008 Le D2/970

* cited by examiner

Primary Examiner — Rob M Spear
Assistant Examiner — Rashida C McCoy
(74) *Attorney, Agent, or Firm* — IP Attorneys Group, LLC

(57) **CLAIM**
The ornamental design for a upper for a shoe, as shown and described.

DESCRIPTION

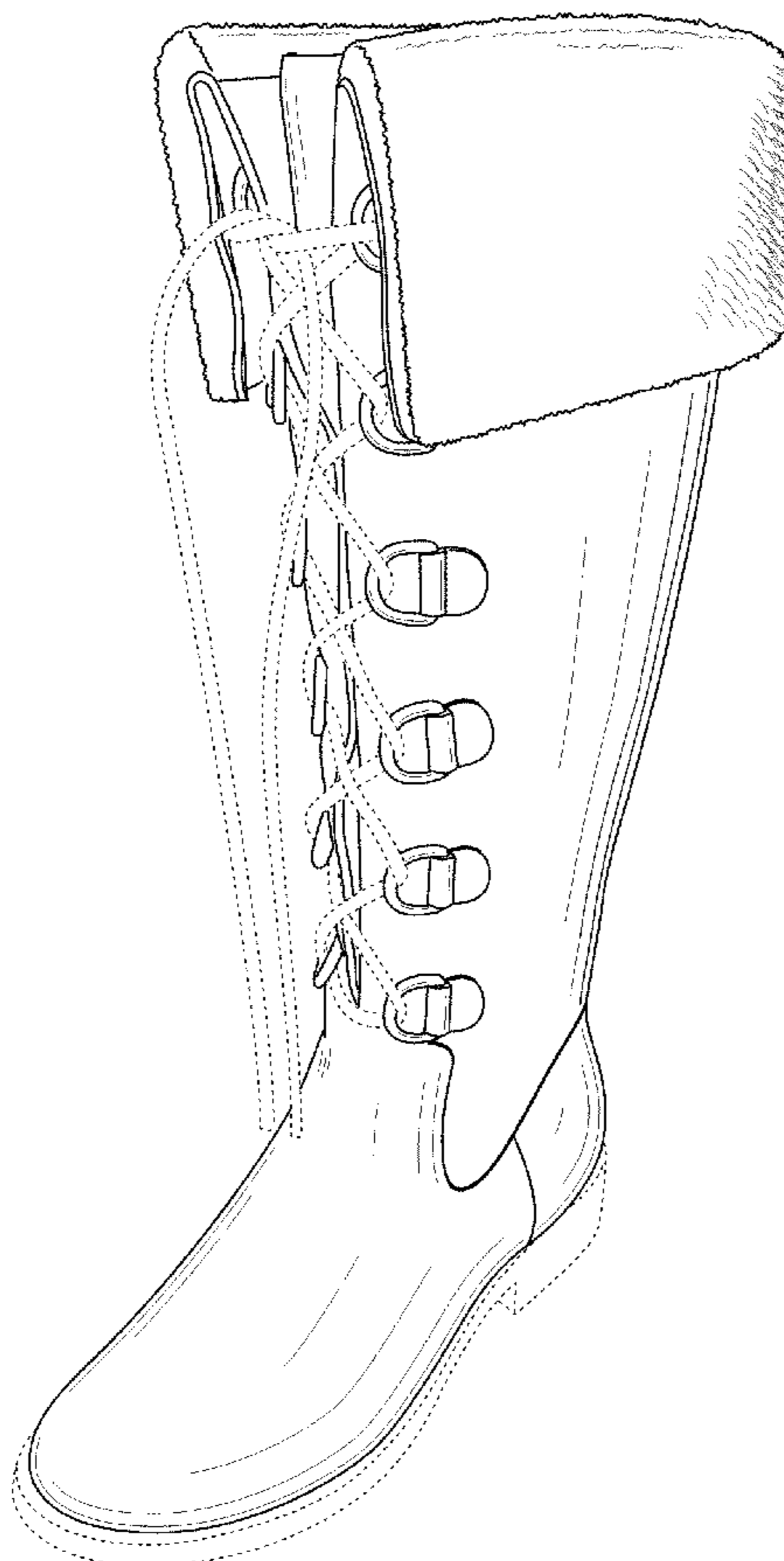
FIG. 1 is a top perspective view of an upper for a shoe, showing my new design;
FIG. 2 is a top view thereof;
FIG. 3 is a left side view thereof;
FIG. 4 is a right side view thereof;
FIG. 5 is a front view thereof; and,
FIG. 6 is a rear view thereof.
The broken lines shown in all of the figures are for environmental purposes and form no part of the claim.

1 Claim, 6 Drawing Sheets

(56) **References Cited**

U.S. PATENT DOCUMENTS

- D42,322 S * 3/1912 Grosvenor D2/911
- D73,139 S * 7/1927 Martin D2/911
- D77,278 S * 12/1928 Westling D2/911
- D152,309 S * 1/1949 Williams D2/911
- D154,007 S * 5/1949 Watkins et. al. D2/911
- D155,573 S * 10/1949 Bingham, Jr. D2/910



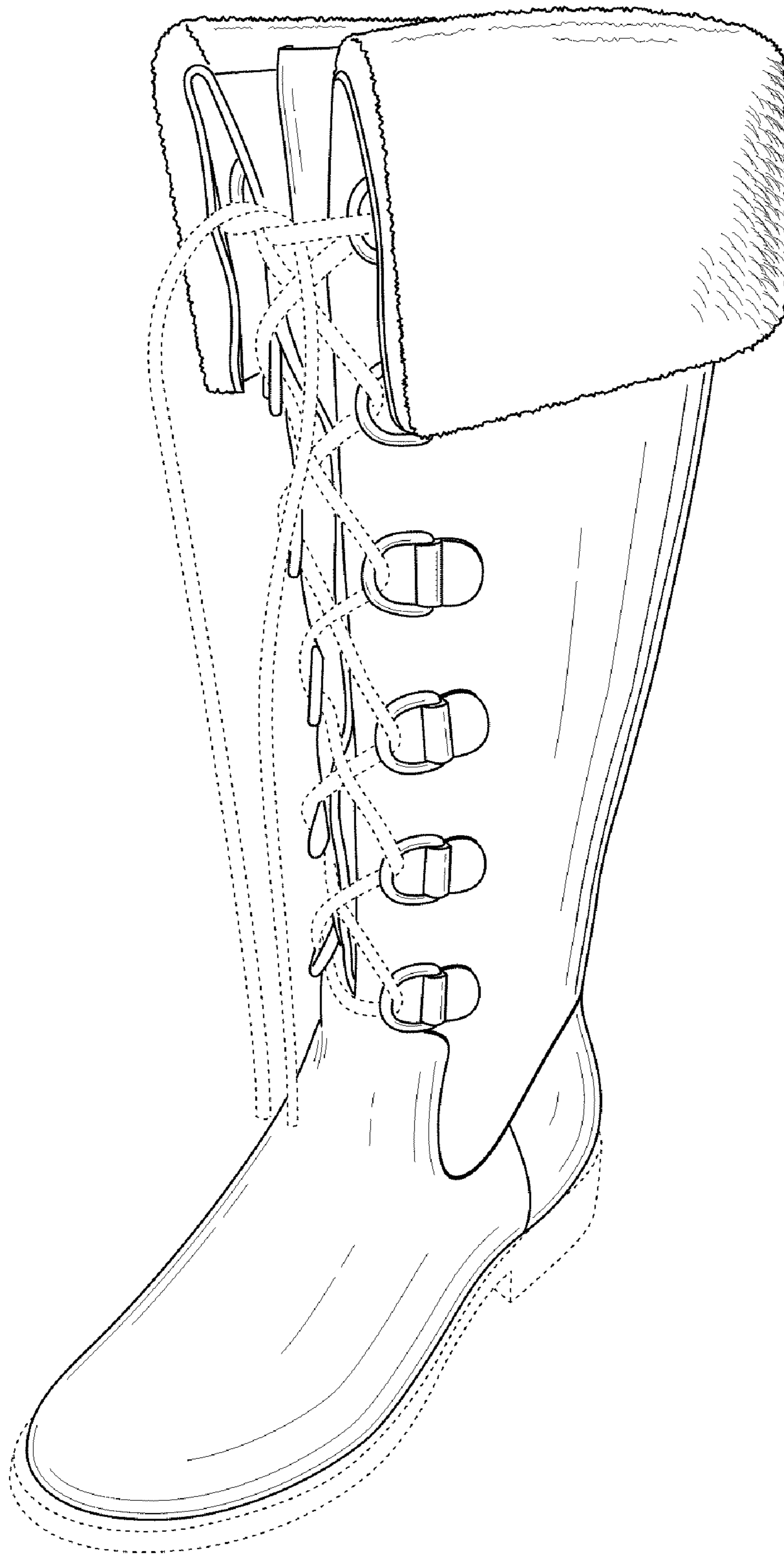


FIG. 1

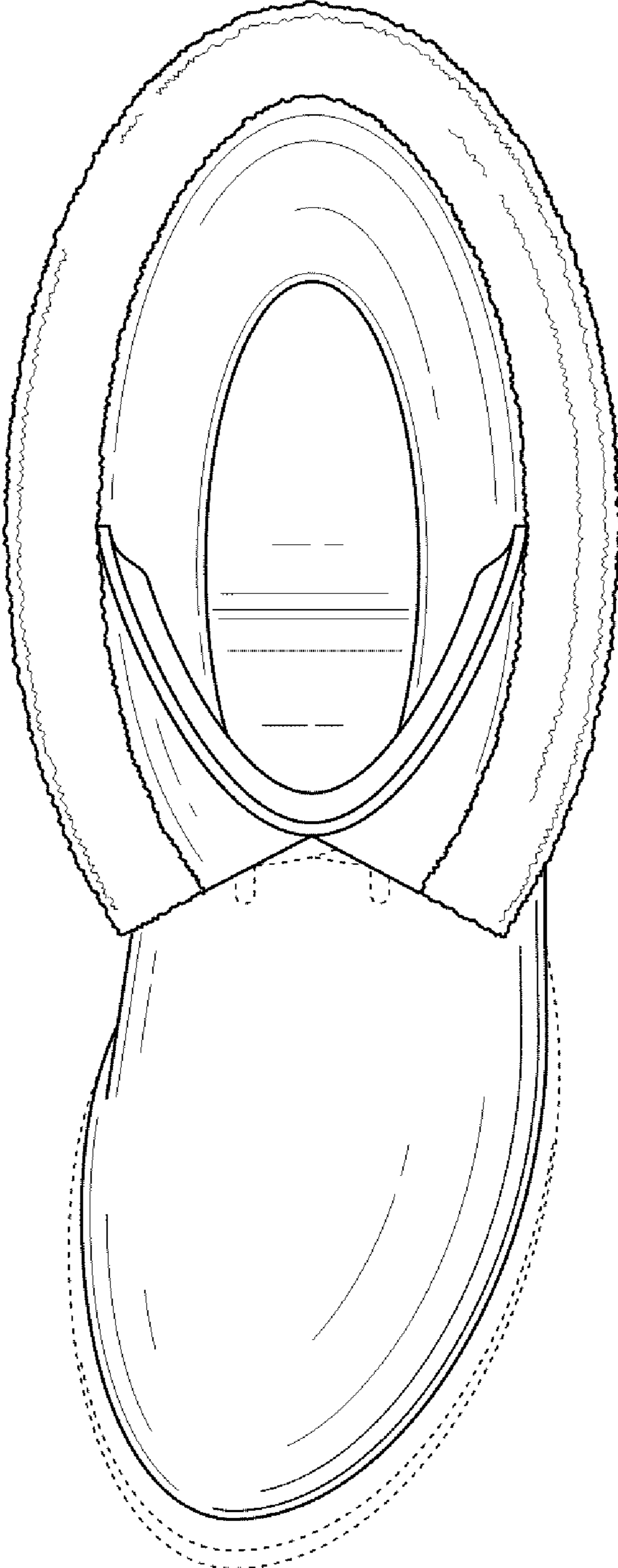


FIG. 2



FIG. 3

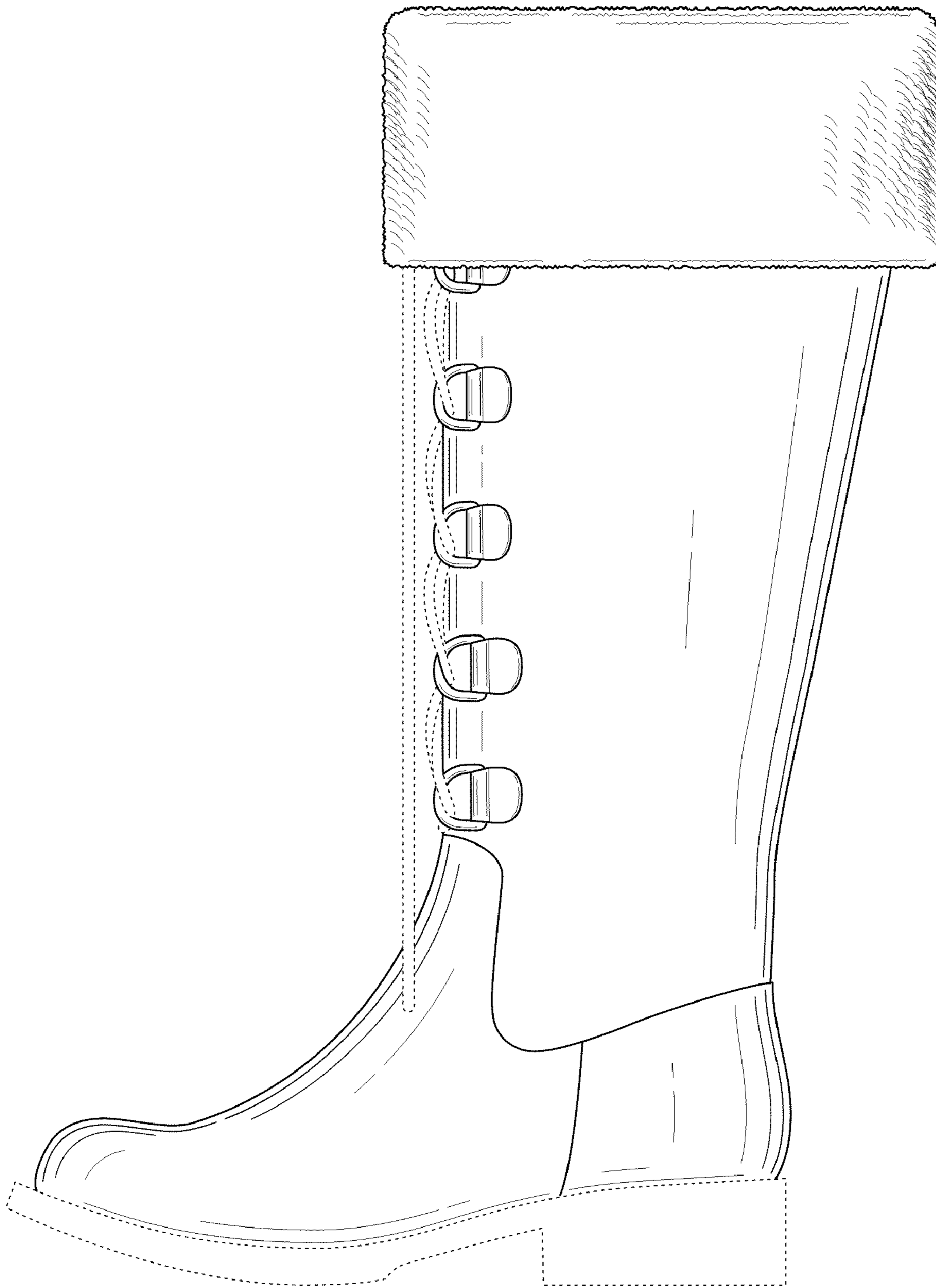


FIG. 4

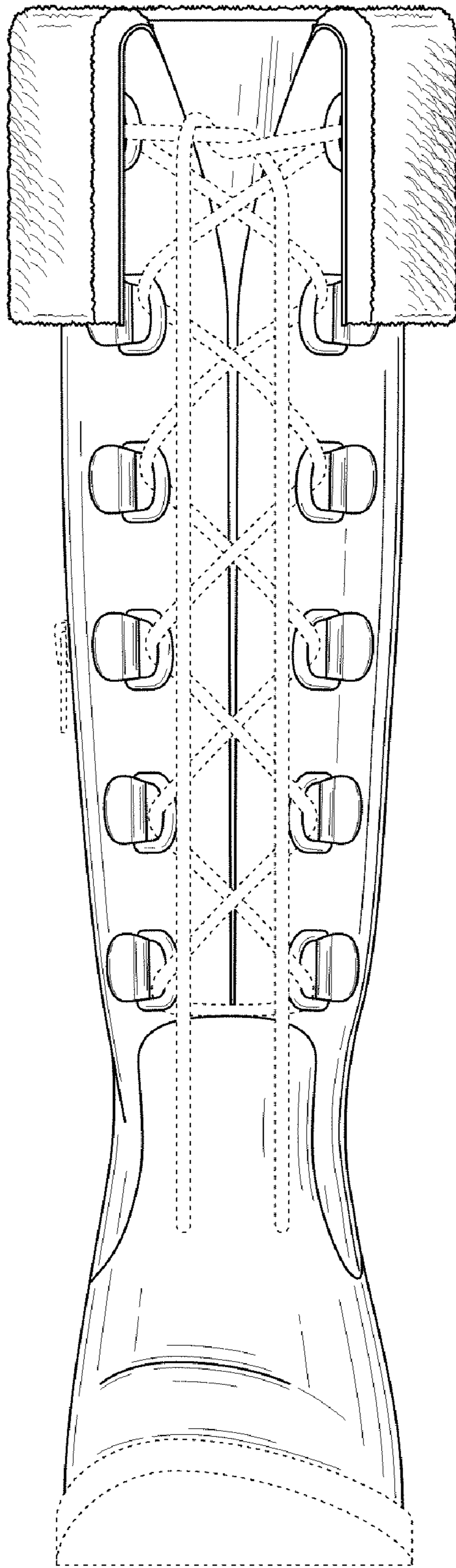


FIG. 5

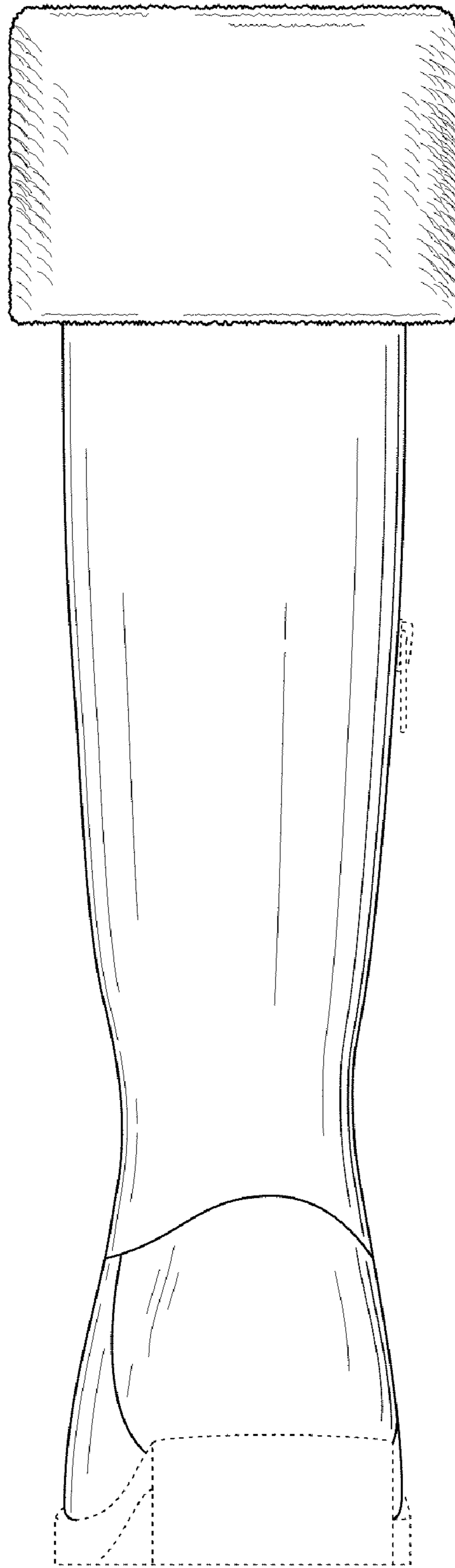


FIG. 6