



US00D650157S

(12) **United States Design Patent**
Liow

(10) **Patent No.:** **US D650,157 S**

(45) **Date of Patent:** **** *Dec. 13, 2011**

(54) **CLOG**

(76) Inventor: **Peter Liow**, Carson, CA (US)

(*) Notice: This patent is subject to a terminal disclaimer.

(**) Term: **14 Years**

(21) Appl. No.: **29/369,958**

(22) Filed: **Sep. 15, 2010**

(51) **LOC (9) Cl.** **02-04**

(52) **U.S. Cl.** **D2/923**

(58) **Field of Classification Search** D2/896,
D2/900, 916, 917, 923, 943, 946, 969, 972,
D2/976; 36/45, 8, 100, 88, 102, 112, 113,
36/3 A, 3 R, 7.4, 11.5, 4, 87, 7.5

See application file for complete search history.

(56) **References Cited**

U.S. PATENT DOCUMENTS

D416,667 S *	11/1999	Lamstein	D2/916
D529,263 S *	10/2006	Wolf	D2/923
D545,032 S *	6/2007	Wolf	D2/923
D545,033 S *	6/2007	Wolf	D2/926
D567,483 S *	4/2008	Liow	D2/896
D575,480 S *	8/2008	Zimmerman	D2/896
D578,743 S *	10/2008	Liow	D2/896
D579,182 S *	10/2008	Klavano	D2/916
D610,784 S *	3/2010	Del Biondi	D2/916
D624,733 S *	10/2010	O'Boyle et al.	D2/923

* cited by examiner

Primary Examiner — Robert M Spear

Assistant Examiner — Rashida C McCoy

(74) *Attorney, Agent, or Firm* — Frommer Lawrence & Haug LLP; Patrick R. Turner

(57) **CLAIM**

The ornamental design for clog, as shown and described.

DESCRIPTION

FIG. 1 is top isometric view of my new shoe design showing representative surface ornamentation;

FIG. 2 is a right side view thereof;

FIG. 3 is a left side view thereof;

FIG. 4 is a top view thereof;

FIG. 5 is a bottom view thereof

FIG. 6 is a rear view thereof;

FIG. 7 is a front view thereof;

FIG. 8 is a magnified surface view of the surface ornamentation identified in FIG. 2 as part 8;

FIG. 9 is a cutaway side planar view along the plane identified in FIG. 8 by line 9;

FIG. 10 is a cutaway side planar view along the plane identified in FIG. 8 by line 10;

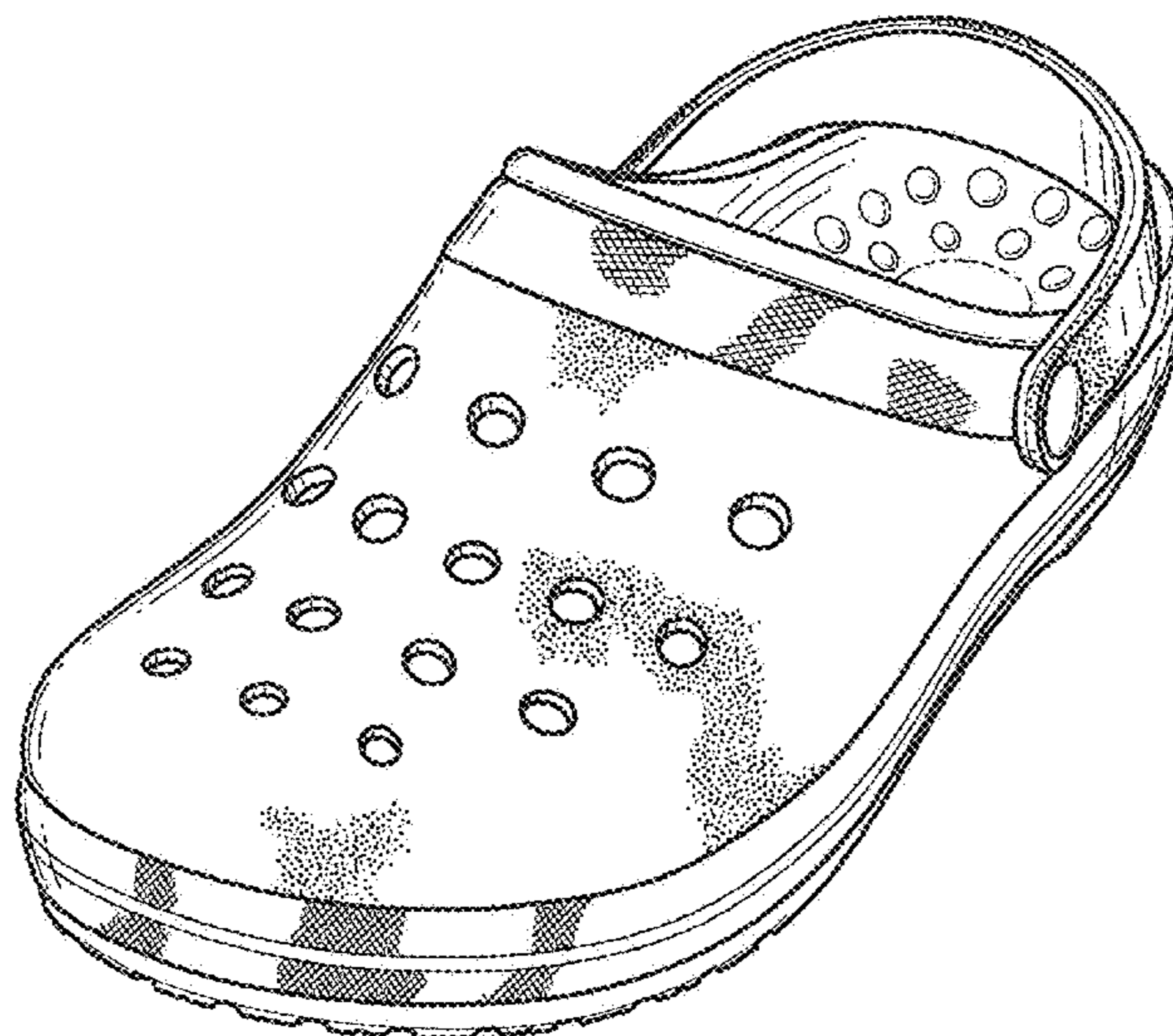
FIG. 11 is a magnified surface view of the surface ornamentation identified in FIG. 2 as part 11;

FIG. 12 is a cutaway side planar view along the plane identified in FIG. 11 by line 12; and,

FIG. 13 is a cutaway side planar view along the plane identified in FIG. 11 by line 13.

The broken lines in the drawings represent unclaimed environmental subject matter.

1 Claim, 6 Drawing Sheets



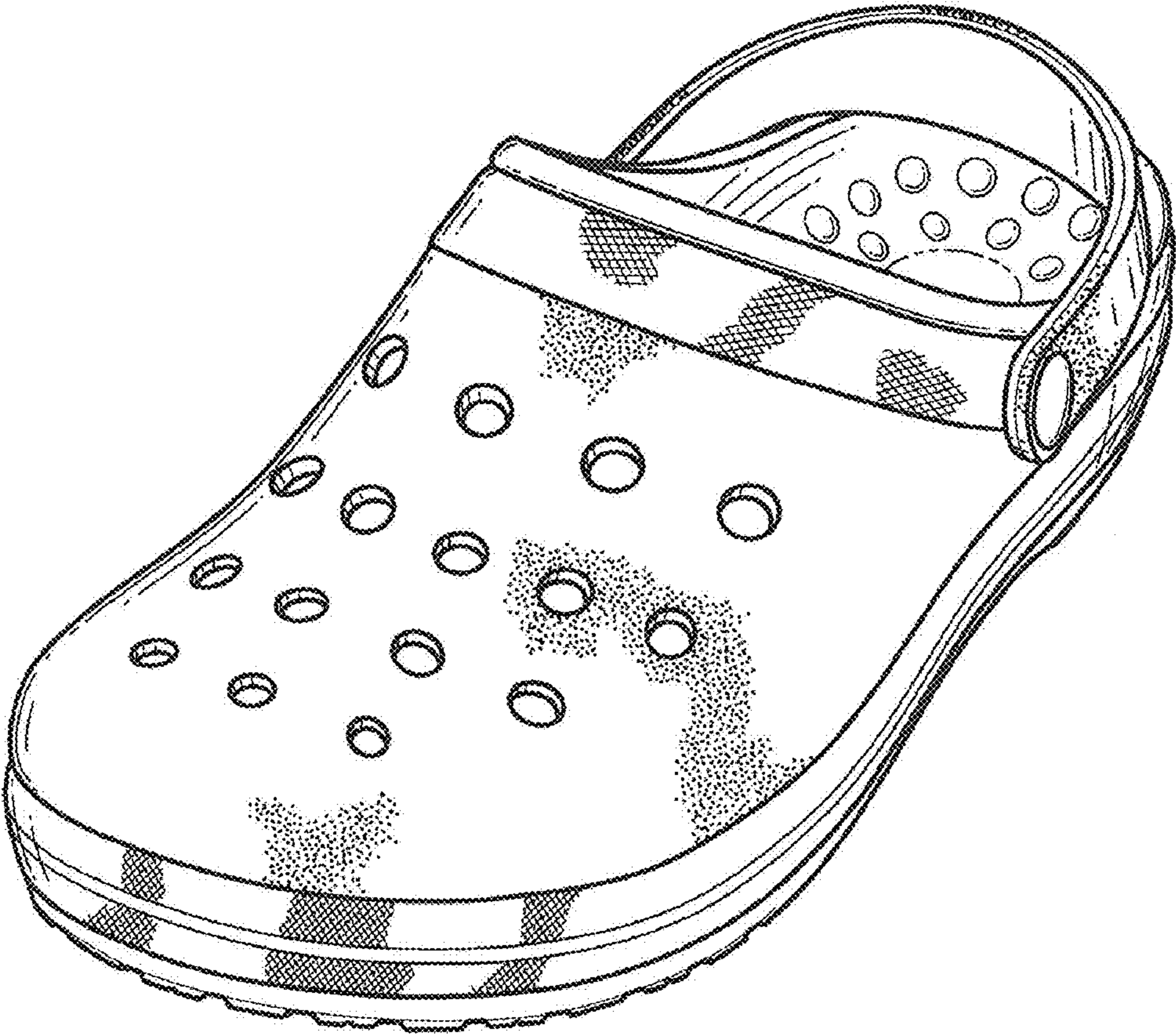


FIG. 1

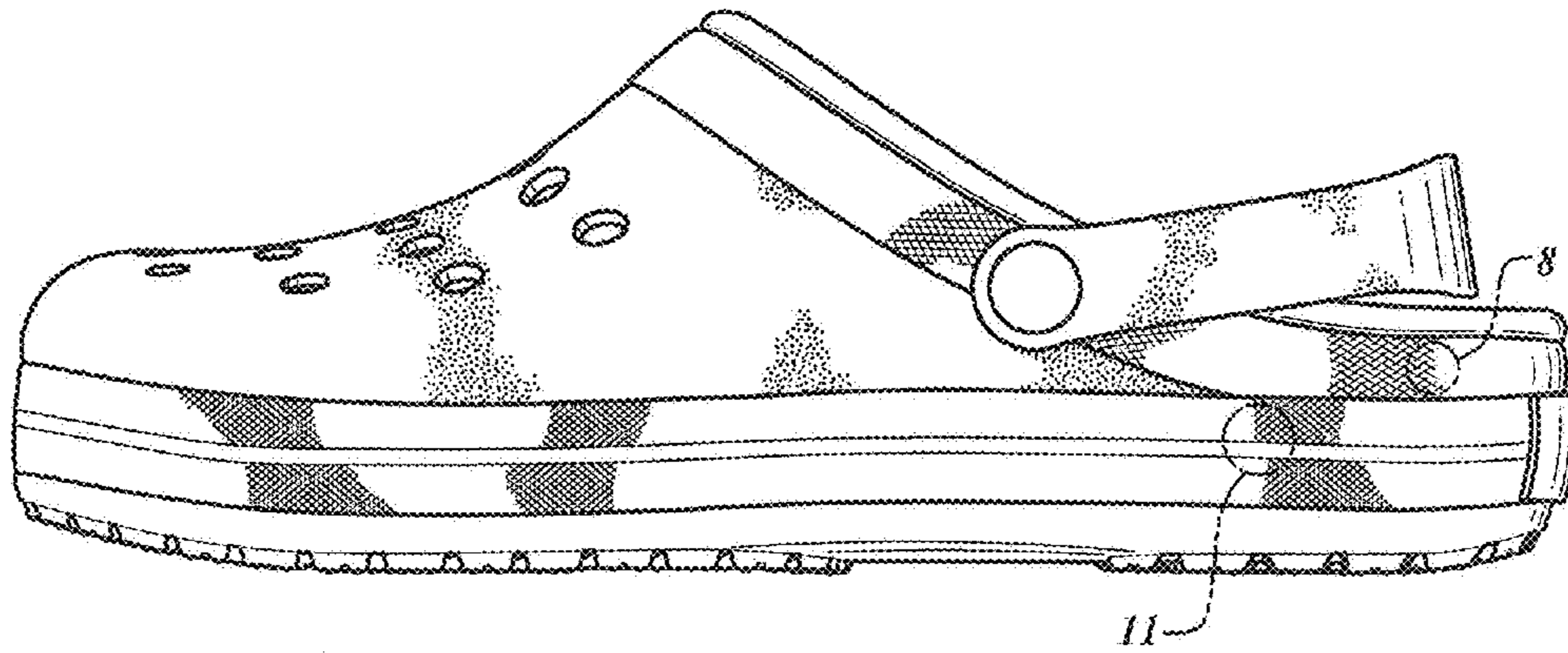


FIG. 2

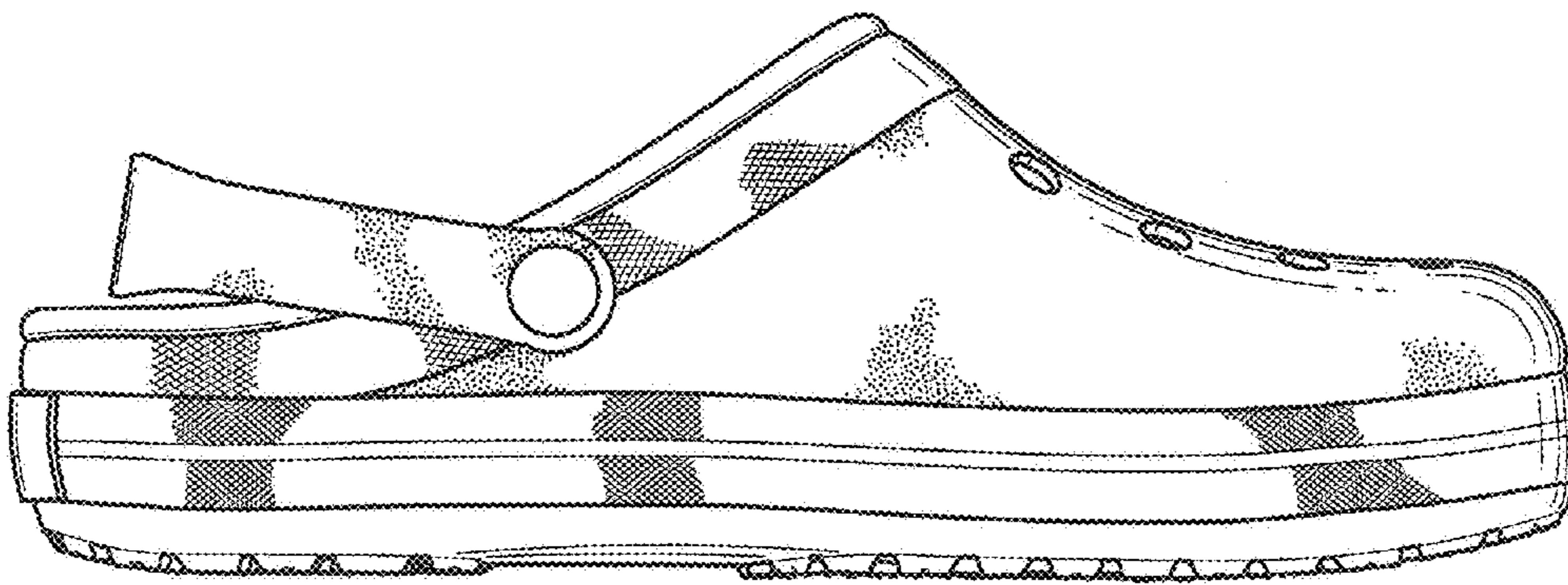


FIG. 3

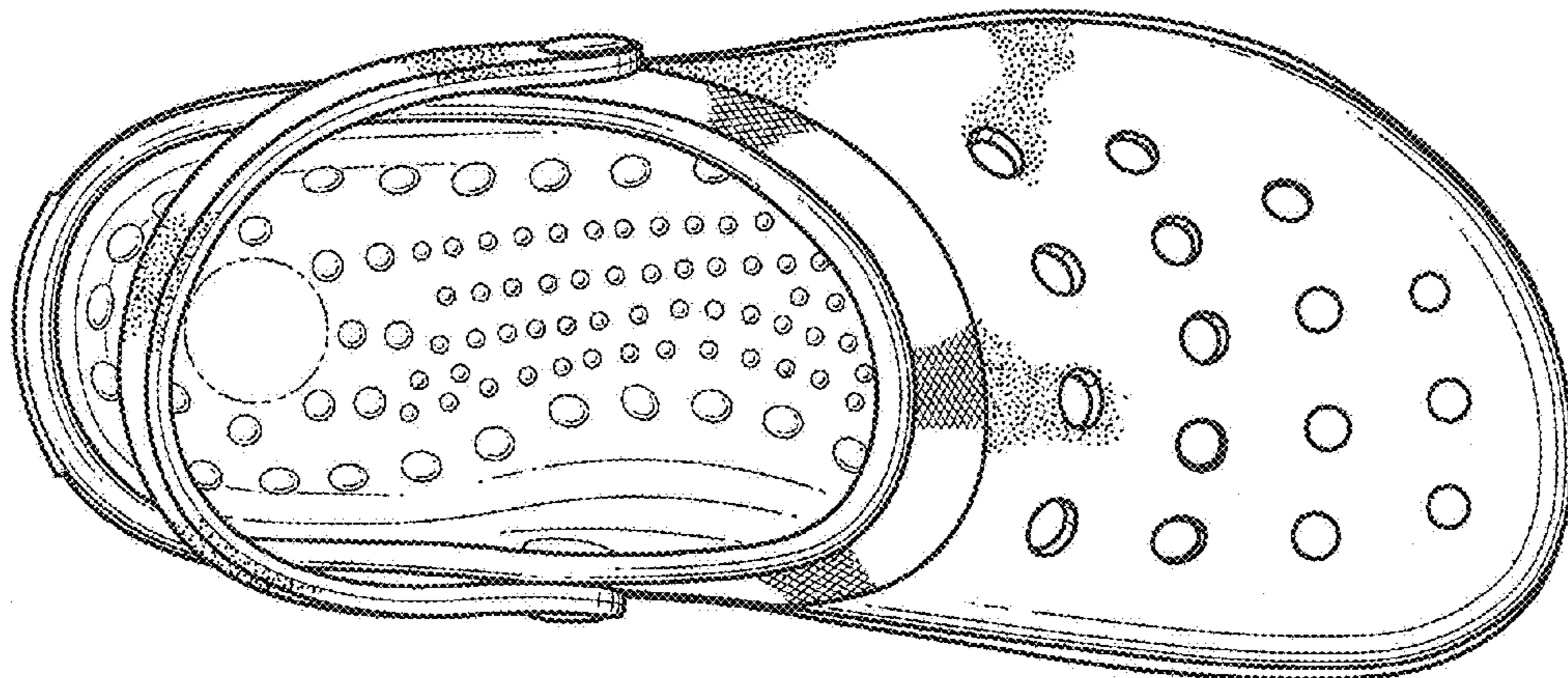


FIG. 4

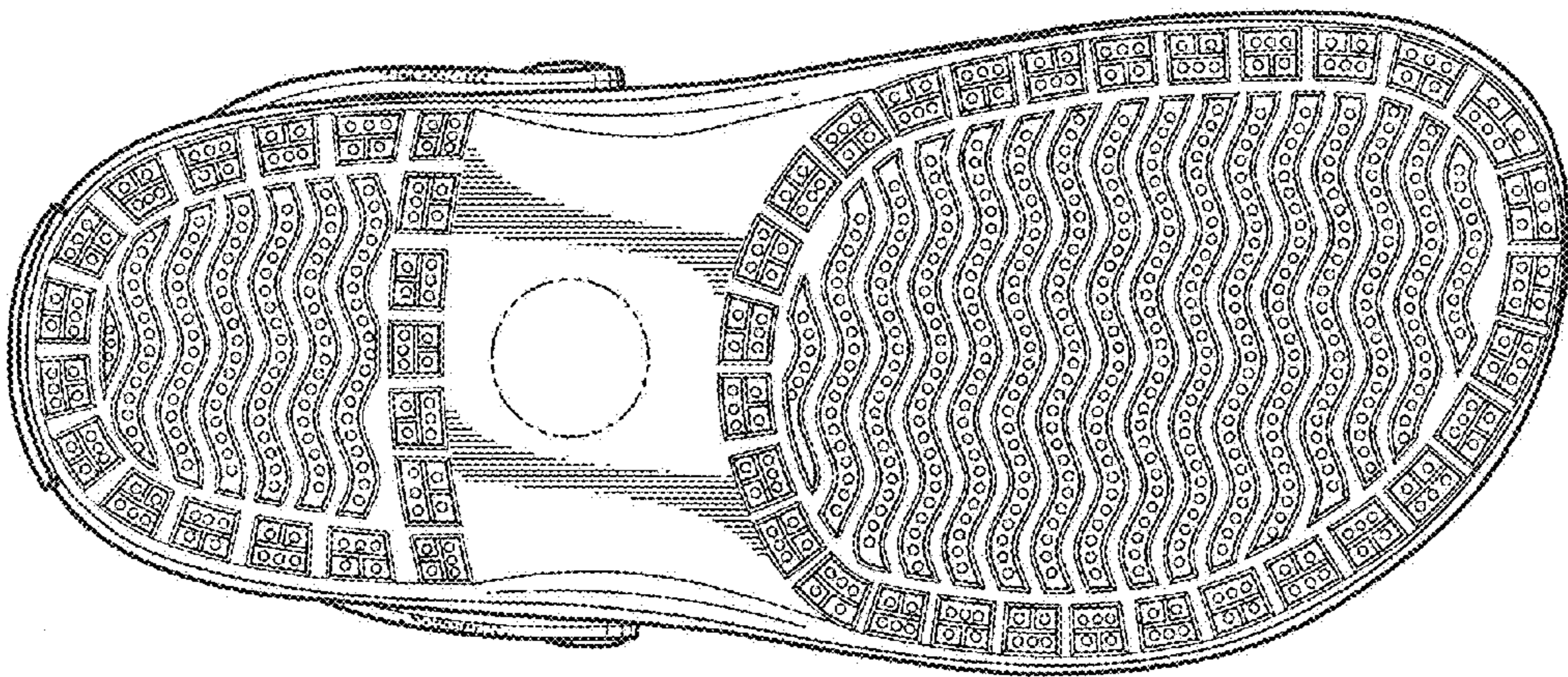


FIG. 5

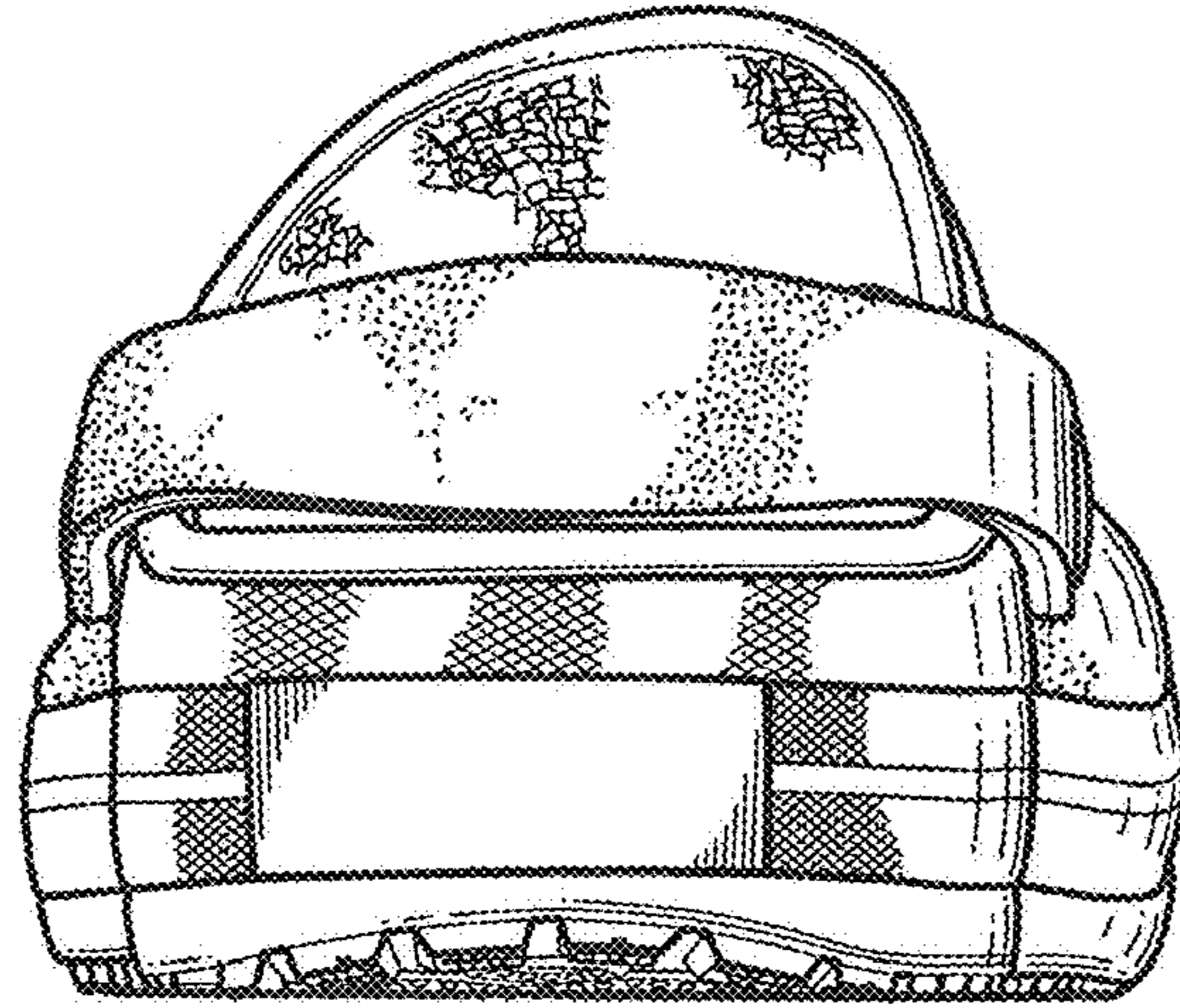


FIG. 6

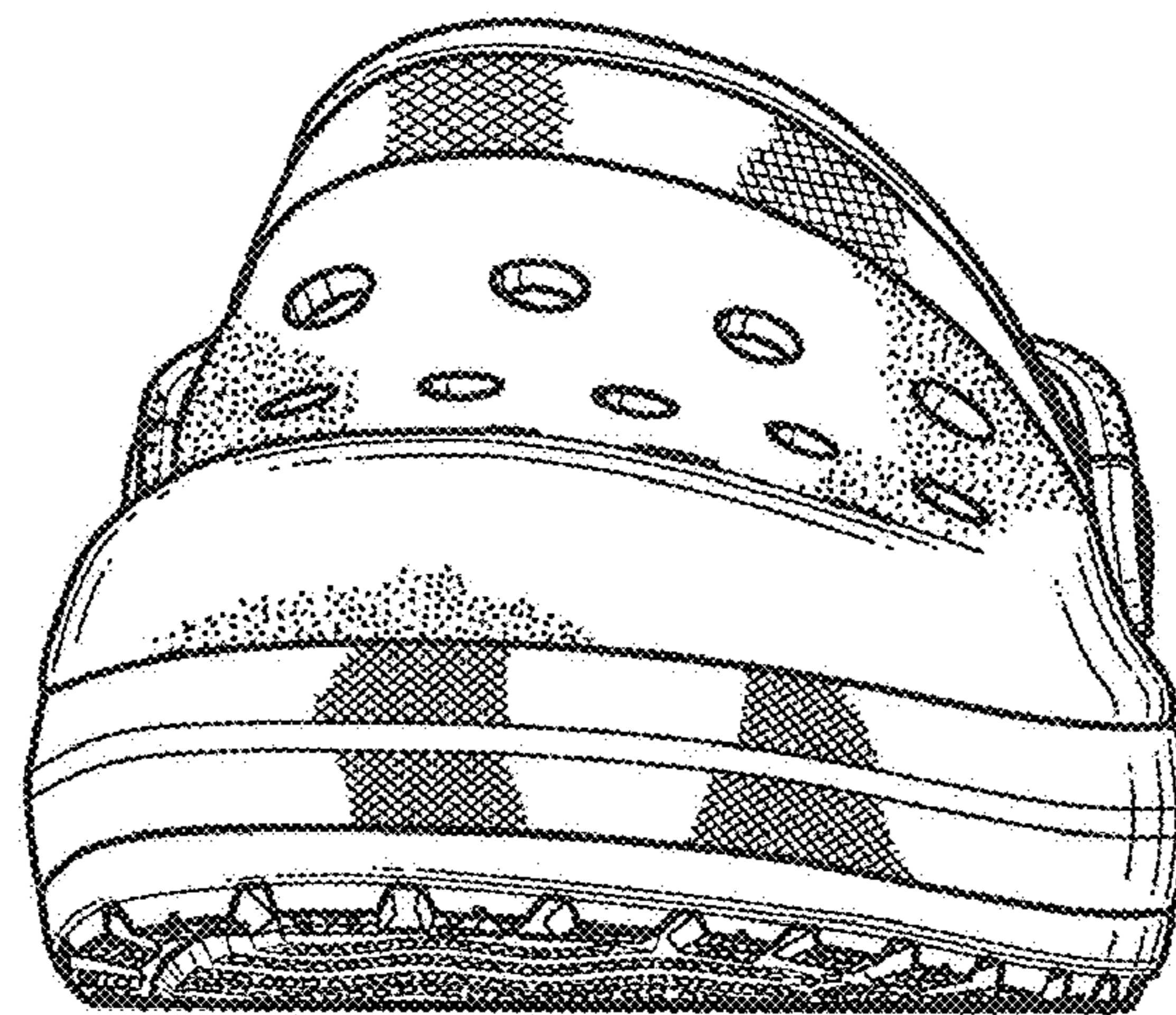


FIG. 7

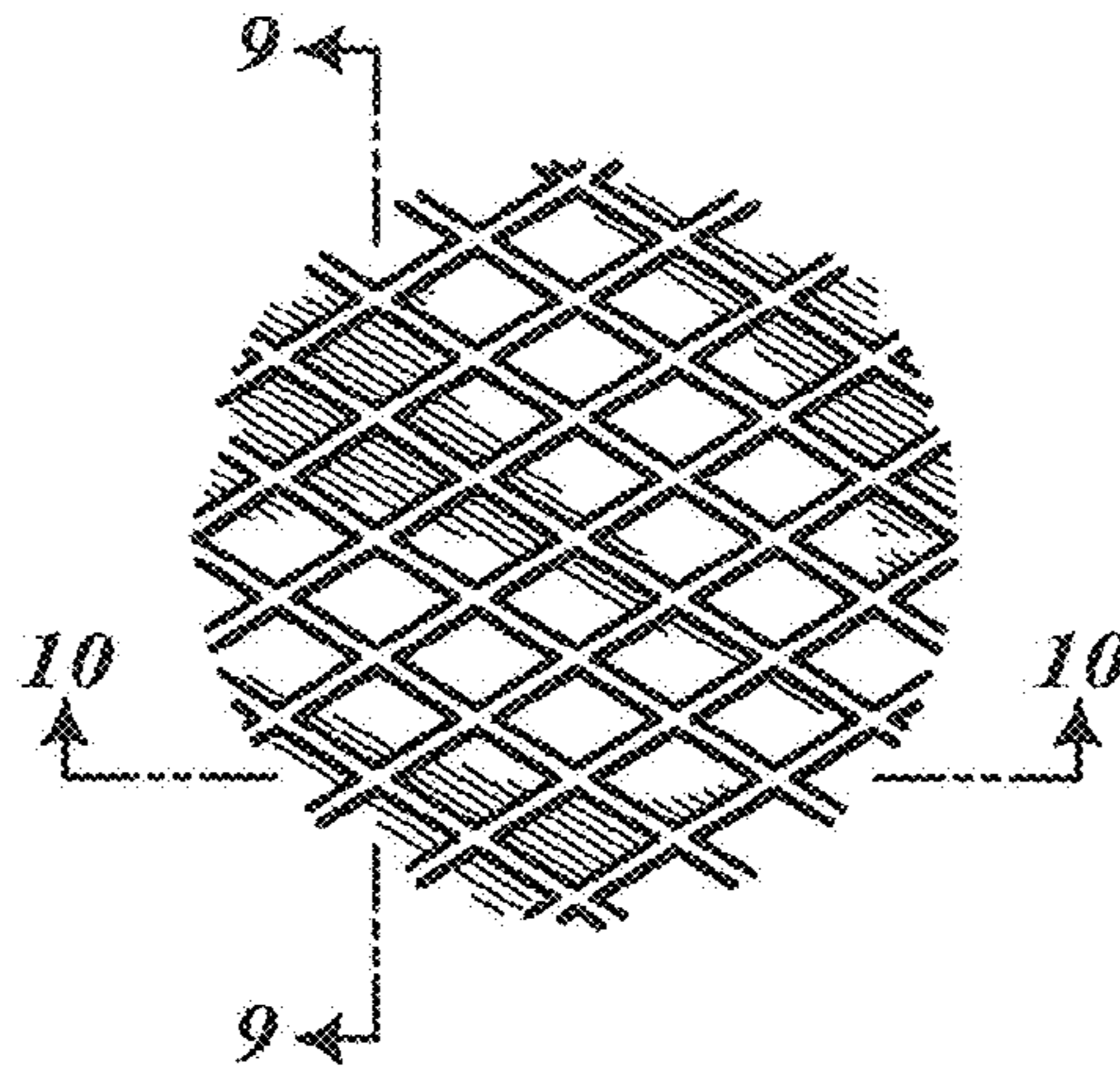


FIG. 8



FIG. 9



FIG. 10

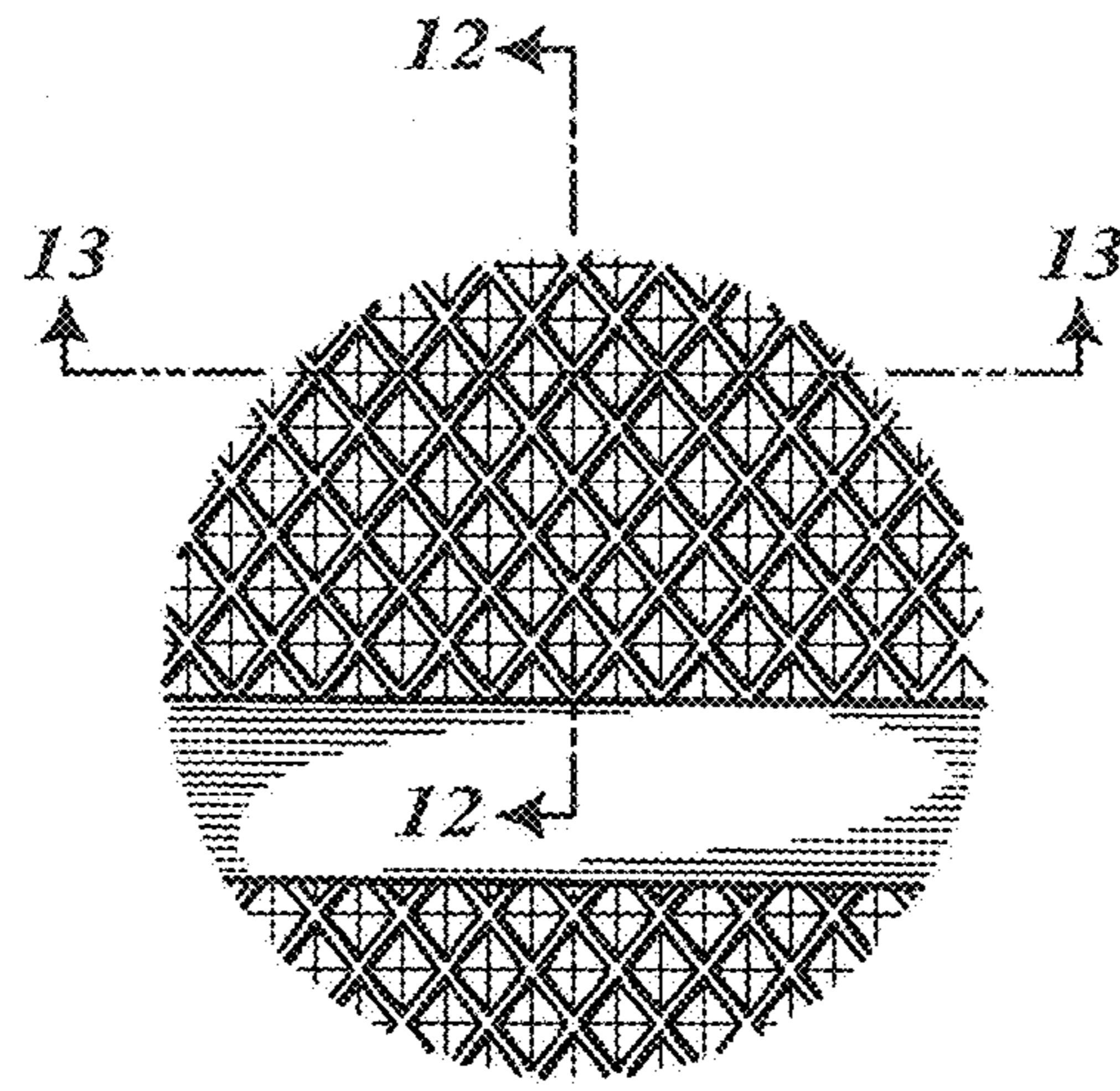


FIG. 11

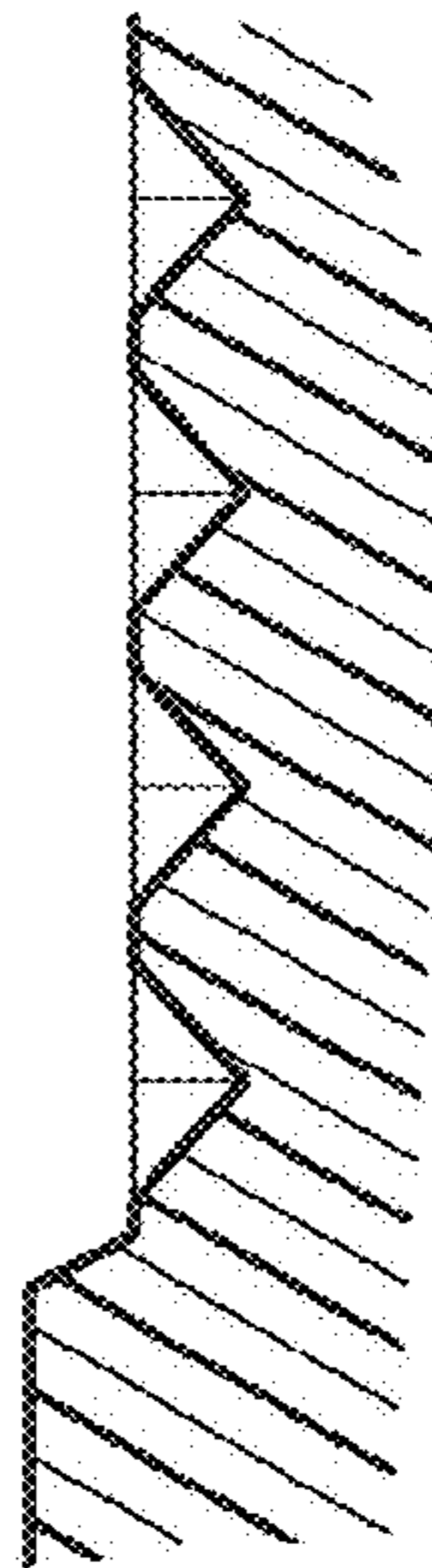


FIG. 12

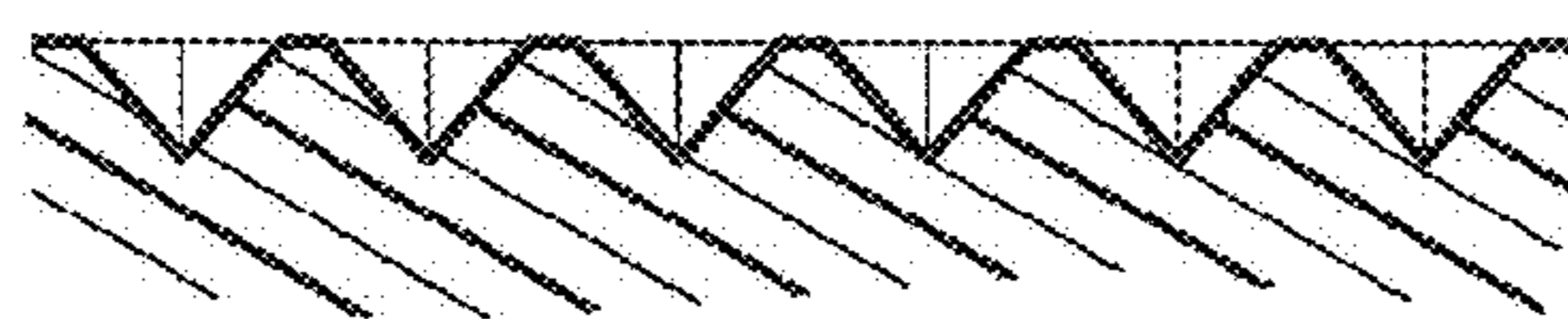


FIG. 13