



US00D650154S

(12) **United States Design Patent**
Saavedra

(10) **Patent No.:** **US D650,154 S**
(45) **Date of Patent:** **** Dec. 13, 2011**

(54) **GARMENT**

(76) Inventor: **John A. Saavedra**, Irmo, SC (US)

(**) Term: **14 Years**

(21) Appl. No.: **29/337,493**

(22) Filed: **May 22, 2009**

(51) **LOC (9) Cl.** **02-02**

(52) **U.S. Cl.** **D2/840**

(58) **Field of Classification Search** D2/717,
D2/724, 725, 749-751, 755, 828, 830-834,
D2/836, 839-841, 844, 845, 847, 849, 779;
2/90, 93, 95-98, 106, 108, 115, 116; D5/7,
D5/60

See application file for complete search history.

(56) **References Cited**

U.S. PATENT DOCUMENTS

| | | | | |
|-----------|-----|---------|-----------------|---------|
| 1,121,581 | A * | 12/1914 | Cohn | 2/93 |
| 1,186,866 | A * | 6/1916 | Van Heusen | 2/77 |
| 1,259,234 | A * | 3/1918 | Heath | 2/115 |
| 1,275,090 | A * | 8/1918 | Richards | 2/115 |
| 1,288,673 | A * | 12/1918 | Potterf | 2/70 |
| 1,345,046 | A * | 6/1920 | Wedlock | 112/417 |
| 1,403,308 | A * | 1/1922 | Flatow | 2/115 |
| 1,724,339 | A * | 8/1929 | Carter | 2/83 |
| 1,890,385 | A * | 12/1932 | Karahadian | 2/90 |
| D131,489 | S * | 3/1942 | Gepner | D2/750 |
| 2,374,506 | A * | 4/1945 | Schorovsky | 441/102 |
| D143,824 | S * | 2/1946 | Kiam | D2/831 |
| 4,068,320 | A * | 1/1978 | Machacek et al. | 2/227 |
| D278,477 | S * | 4/1985 | Mizuno | D2/849 |
| D291,500 | S * | 8/1987 | Boesen | D2/831 |
| D295,227 | S * | 4/1988 | Baptiste | D2/842 |
| D303,313 | S * | 9/1989 | Baptiste | D2/842 |
| D387,188 | S * | 12/1997 | Varao | D2/731 |
| 7,107,621 | B2 | 9/2006 | Meekins | |

OTHER PUBLICATIONS

AliExpress. <http://www.aliexpress.com/fm-store/104167/210559609-466480420/2011-New-Summer-Dress-vertical-stripe-chiffon-skirt-child-short-sleeve-stitching-available-wholesale-colors.html>. 2011. "Summer Dress vertical stripe".*

Topshop. <http://www.mystreetchic.com/trends/2011/07/11/red-vertical-stripe-sleeveless-shirt-24-topshop>. Jul. 2011. "Red Vertical Stripe Sleeveless Shirt".*
Kyle Hightower, "New Magic Jersey Officially Unveiled," Orlando Sentinel, Sep. 23, 2008.
Orlandofuntickets.com article, "Orlando Magic to Open their 20th Season," Oct. 27, 2008.
"Ed Hochuli," picture on Wikipedia.org, date N/A.

(Continued)

Primary Examiner — Rashida Johnson

(74) *Attorney, Agent, or Firm* — Dority & Manning, P.A.

(57) **CLAIM**

The ornamental design for a garment, as shown and described.

DESCRIPTION

FIG. 1 is a front view of a garment according to a first embodiment of the present design;

FIG. 2 is a back view of a garment according to a first embodiment of the present design;

FIG. 3 is a front perspective view of a person wearing a garment according to a first embodiment of the present design

FIG. 4 is a front view of a garment according to a second embodiment of the present design;

FIG. 5 is a back view of a garment according to a second embodiment of the present design;

FIG. 6 is a front perspective view of a person wearing a garment according to a second embodiment of the present design

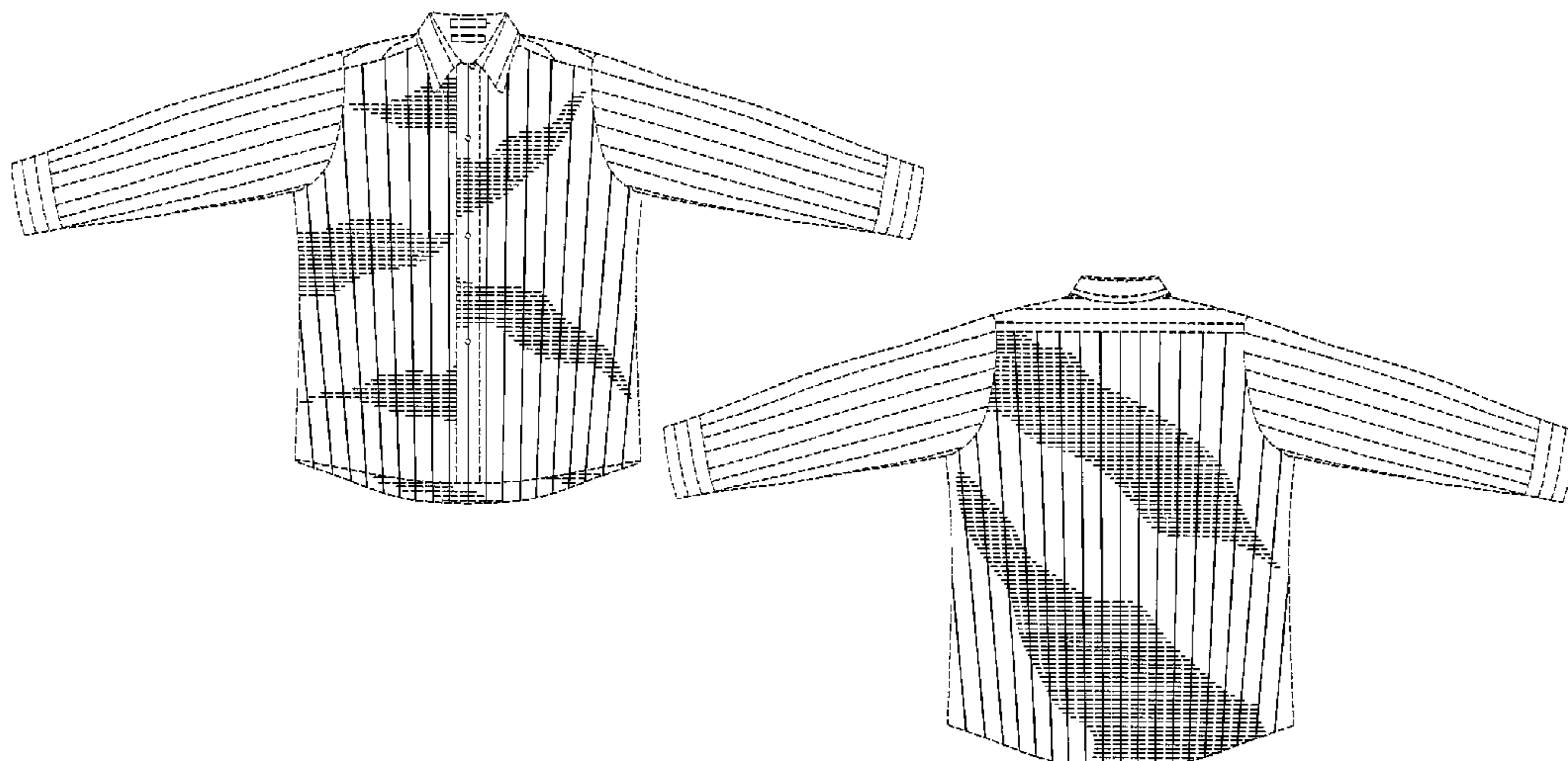
FIG. 7 is a front view of a garment according to a third embodiment of the present design;

FIG. 8 is a back view of a garment according to a third embodiment of the present design; and,

FIG. 9 is a front perspective view of a person wearing a garment according to a third embodiment of the present design.

The broken lines are for illustrative purposes only and form no part of the claimed design.

1 Claim, 9 Drawing Sheets



OTHER PUBLICATIONS

Picture of Ed Hochuli, date N/A.
"Official (American Football)," article on Wikipedia.org, section
entitled "Uniform" date N/A.

"Fashion Statement: NFL Refs Sport New Uniforms," ESPN.com,
Aug. 3, 2006.

* cited by examiner

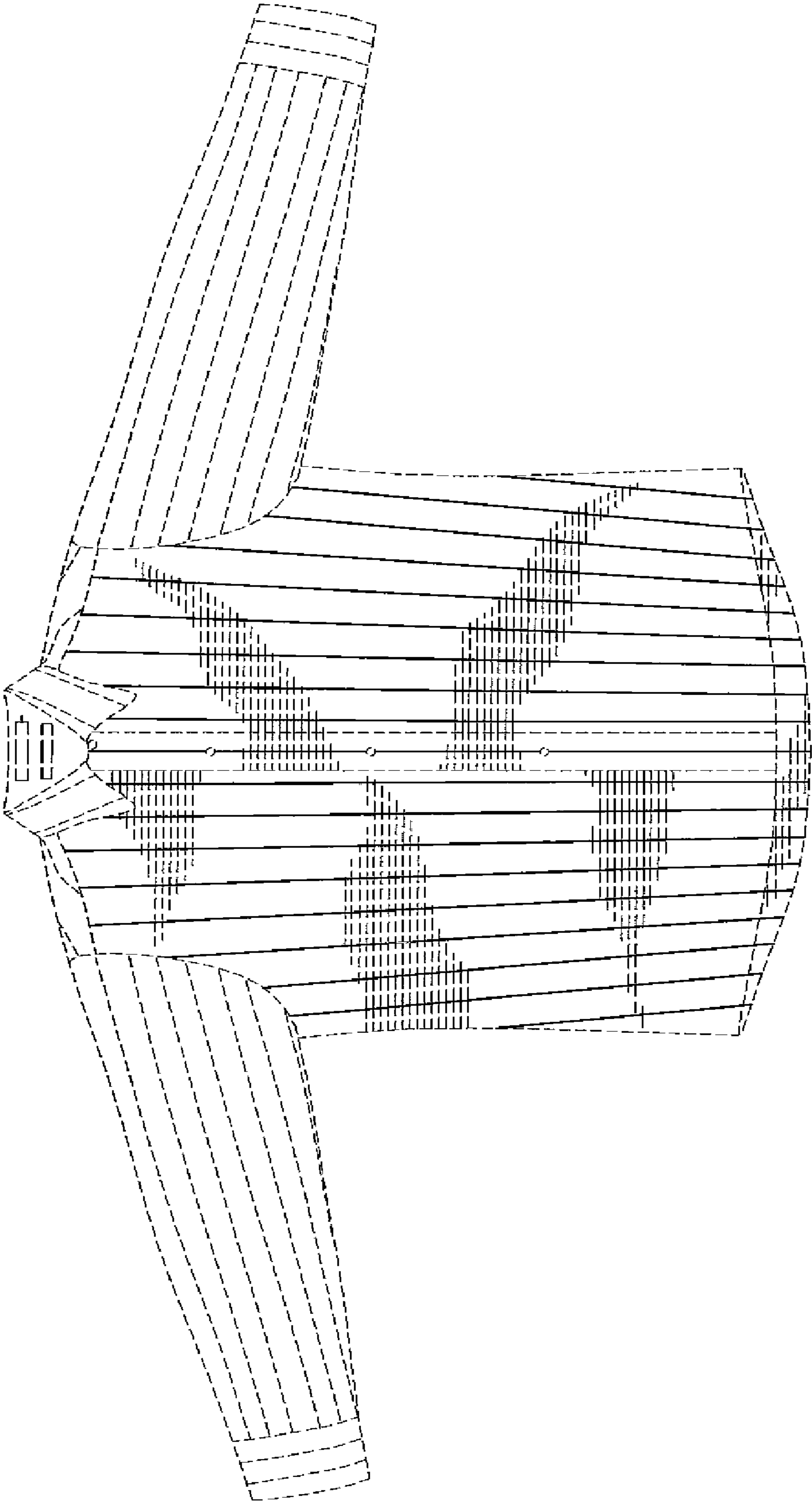


FIG. 1

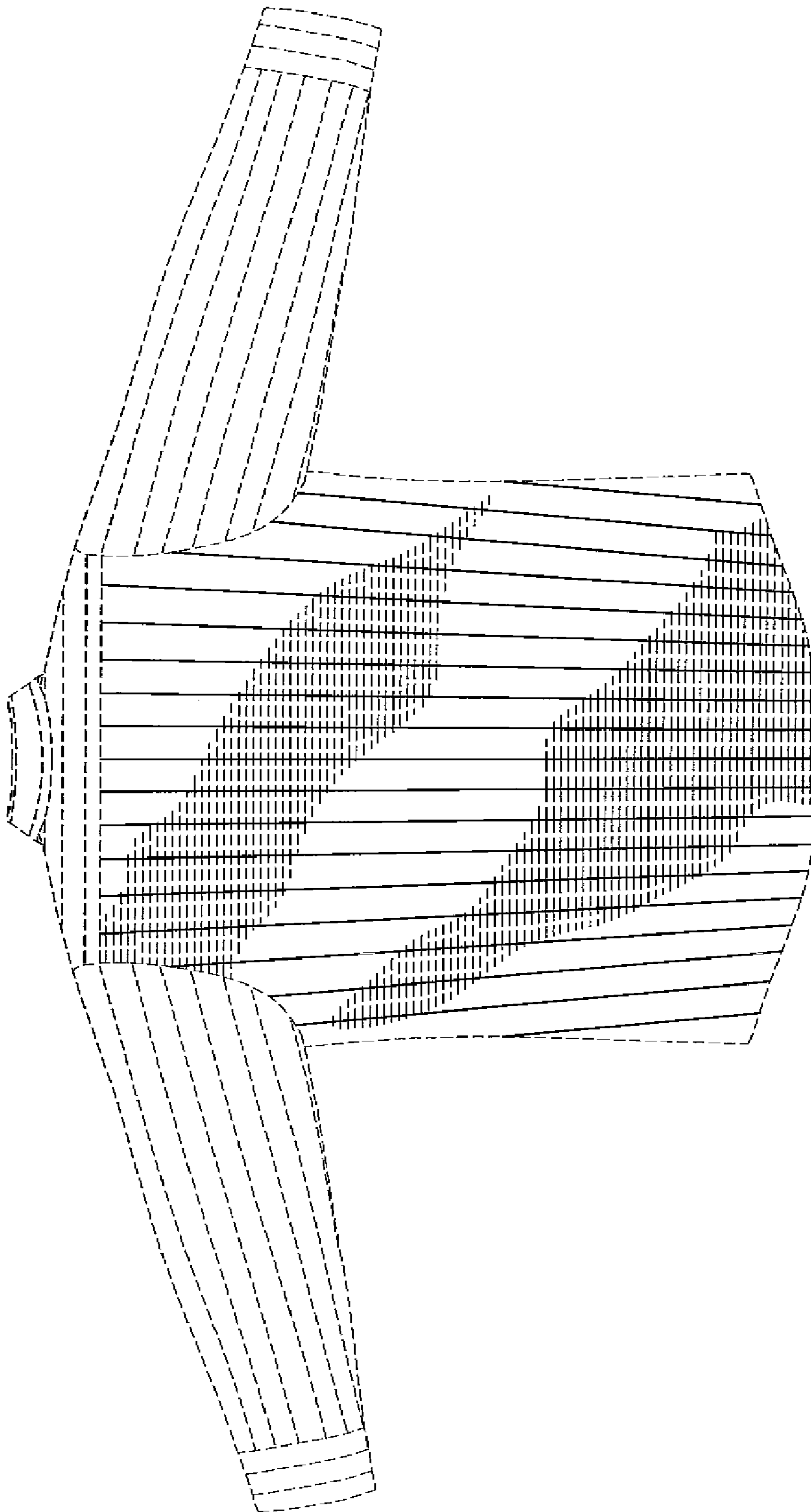


FIG.2

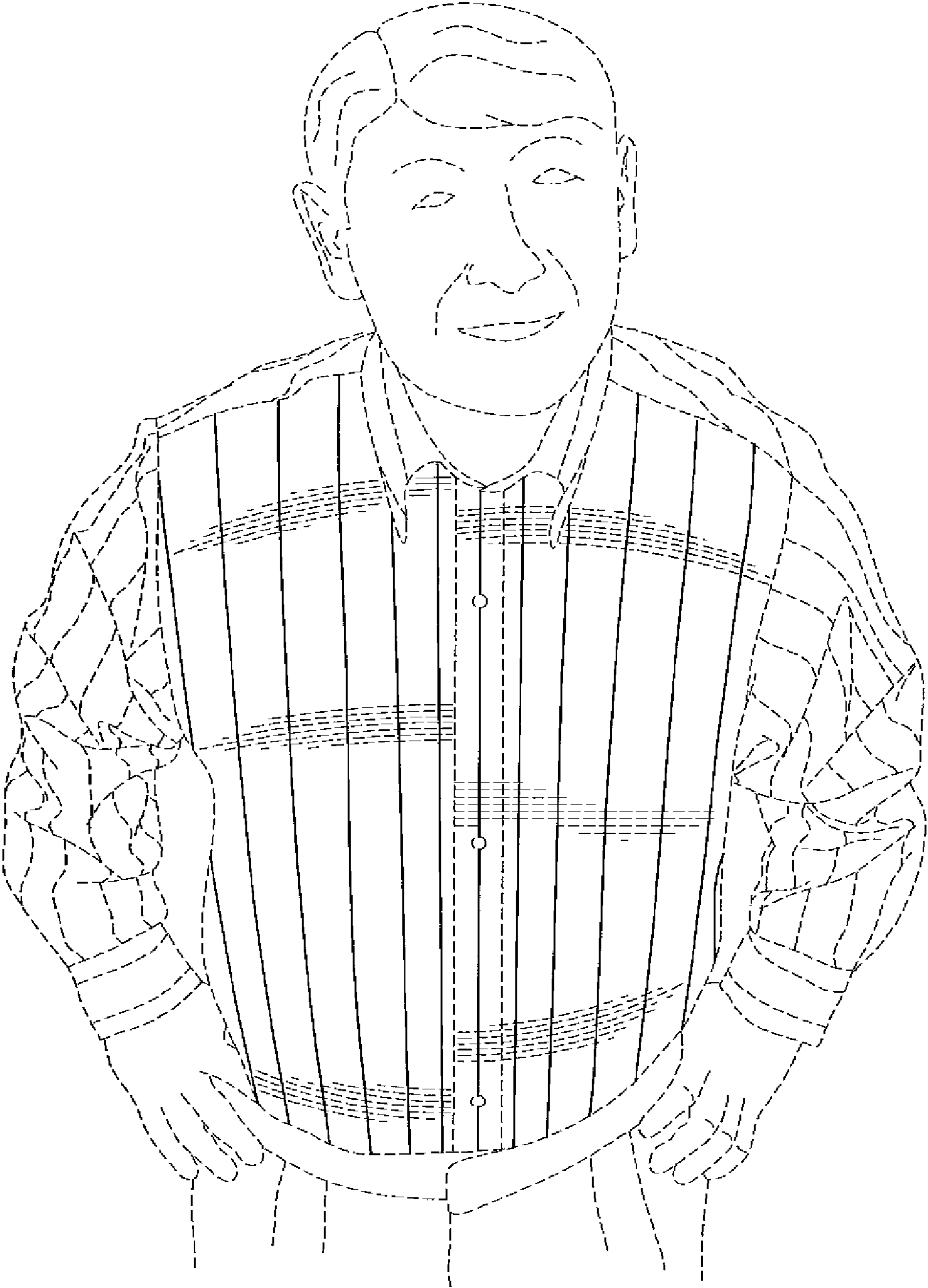


FIG.3

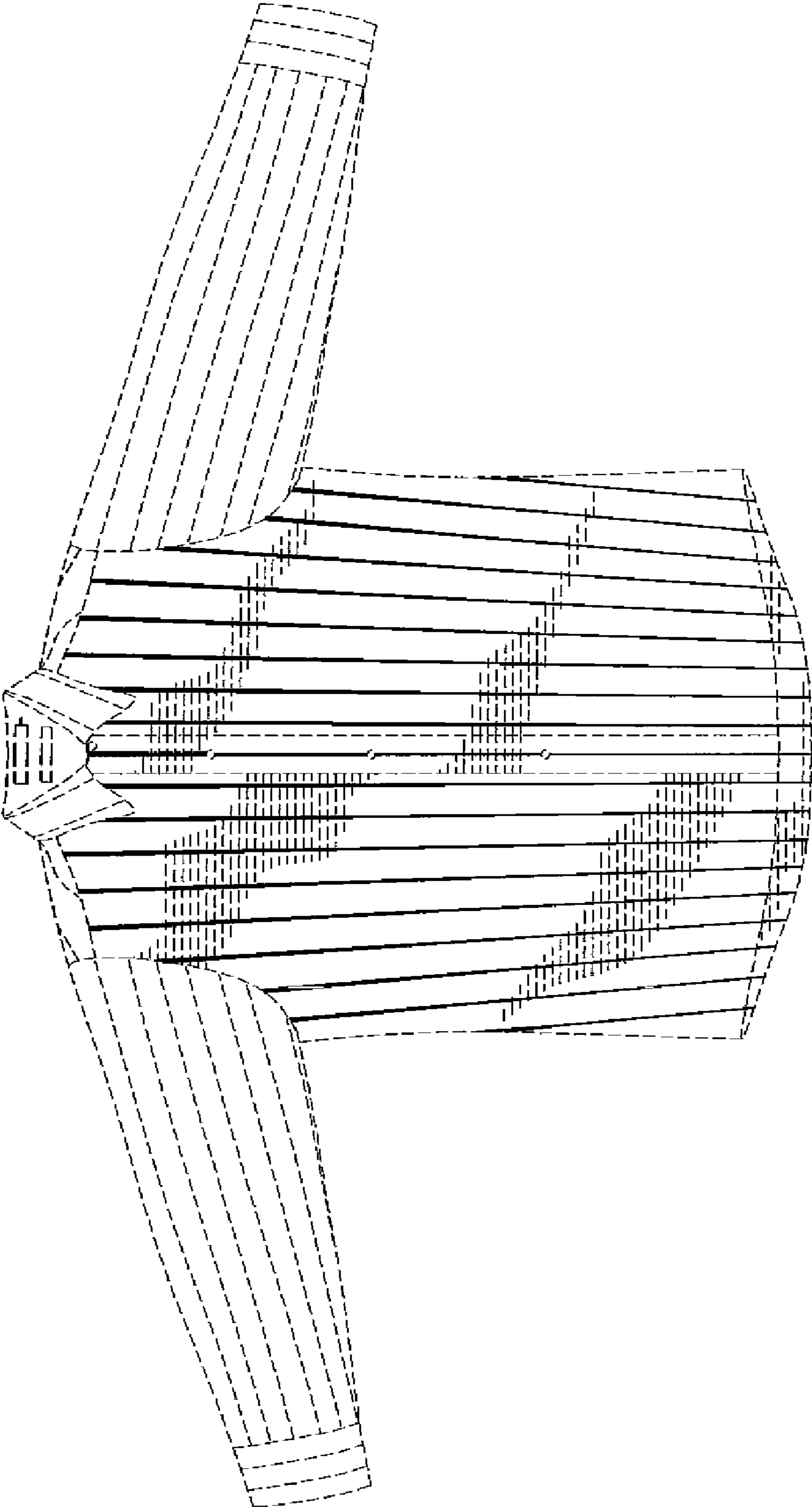


FIG.4

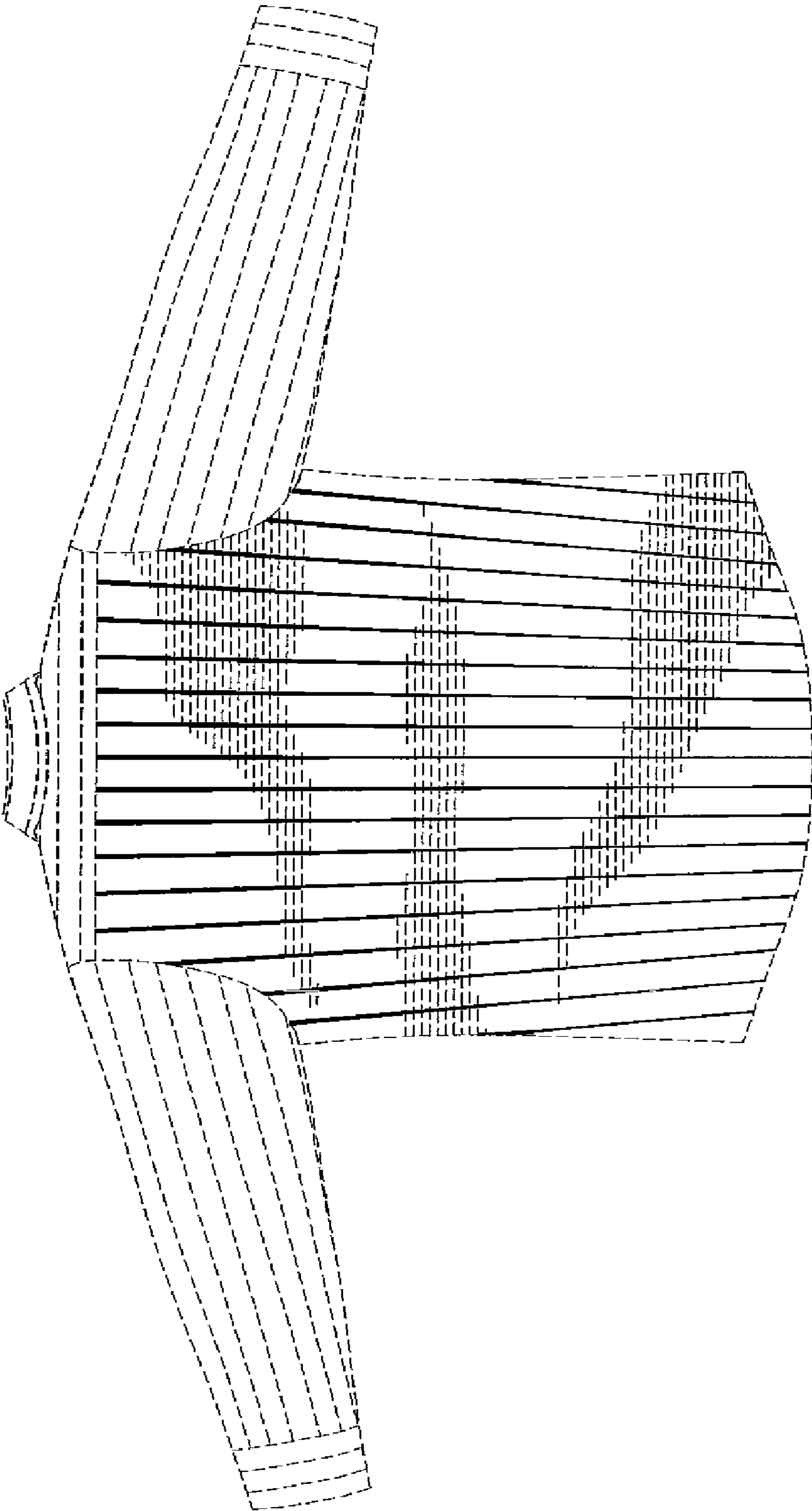


FIG. 5



FIG. 6

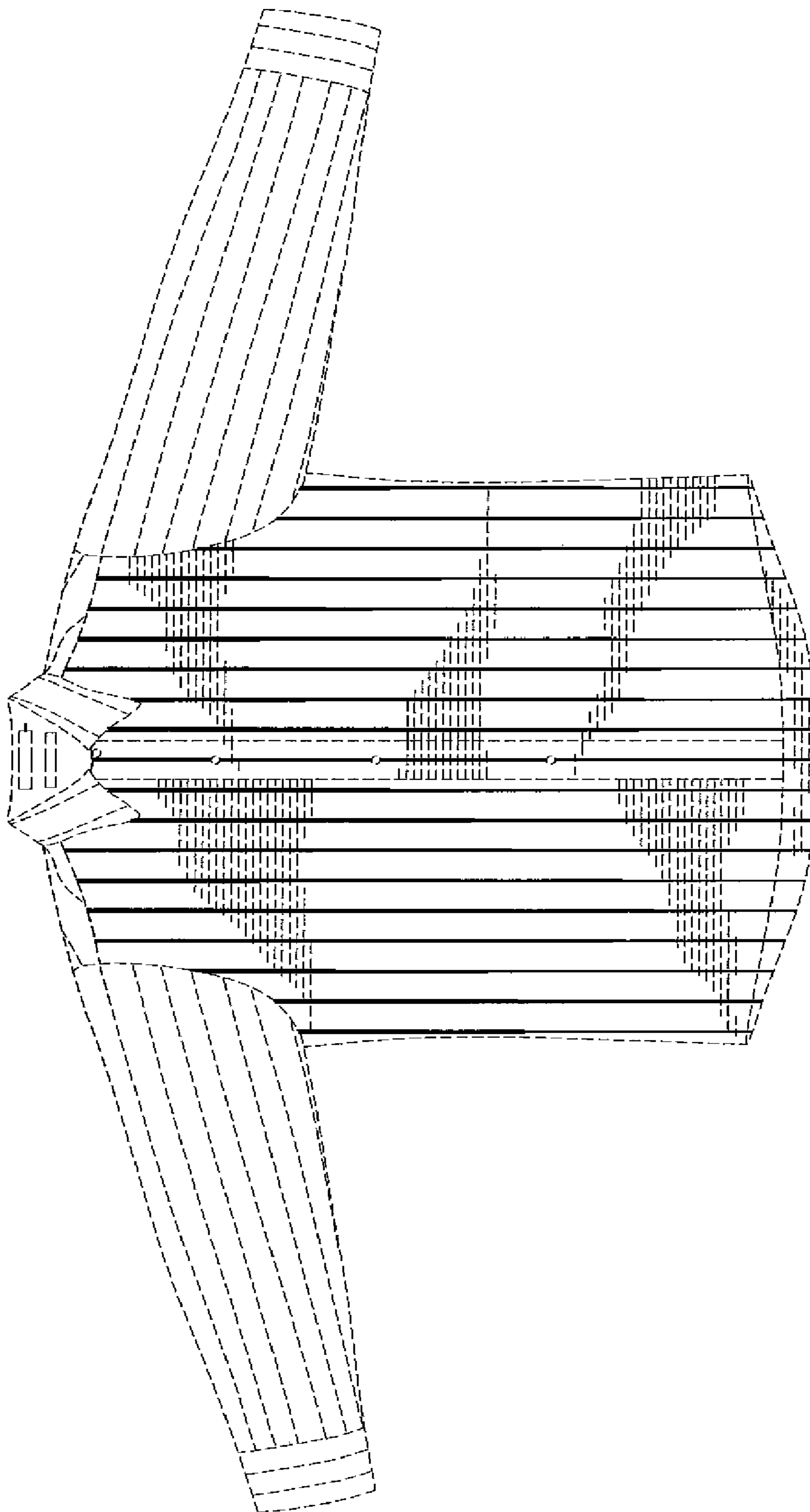


FIG. 7

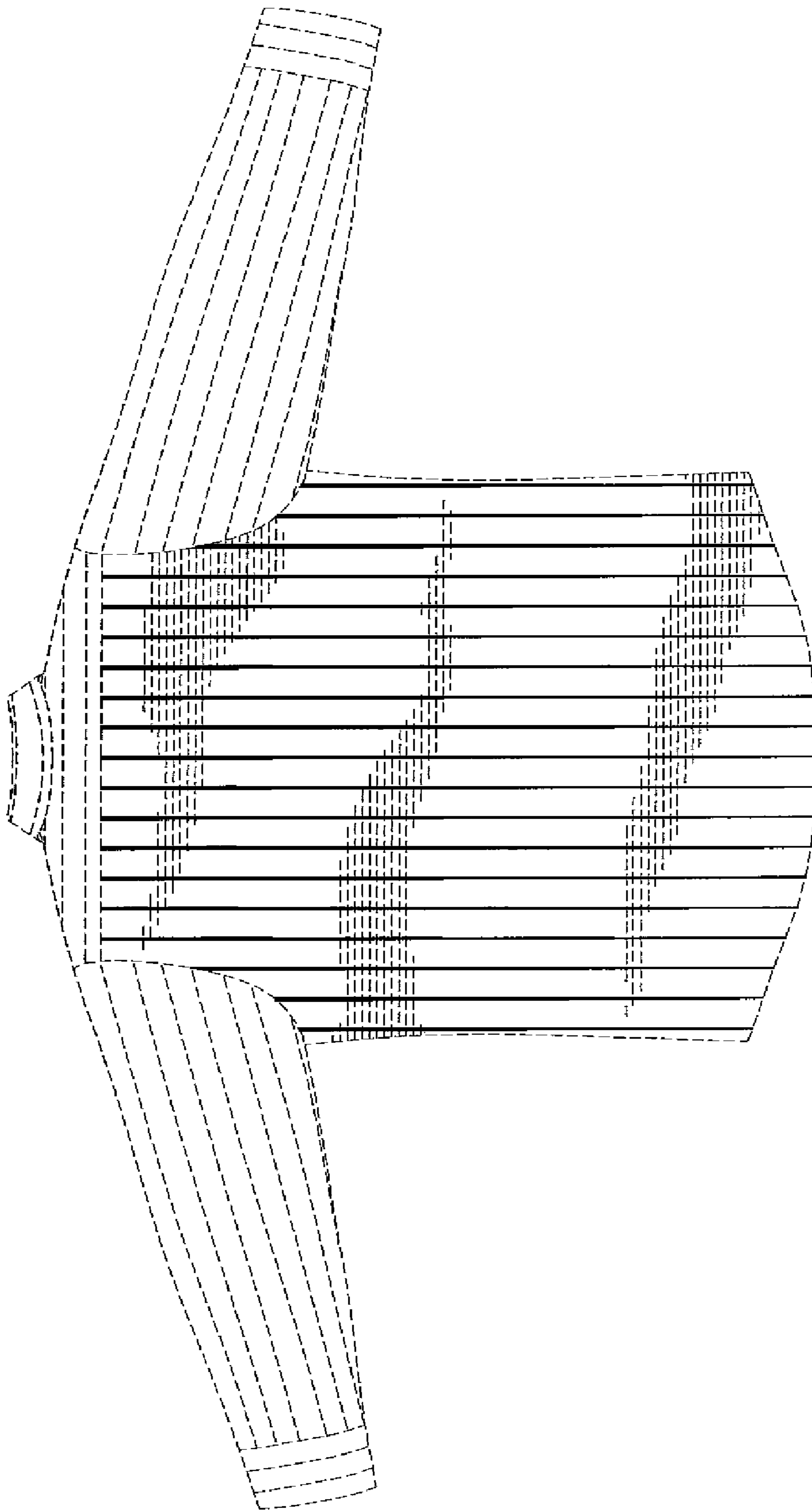


FIG.8



FIG.9