

US00D650148S

(12) **United States Design Patent**
Sanders et al.

(10) **Patent No.:** **US D650,148 S**

(45) **Date of Patent:** **** Dec. 13, 2011**

(54) **NECK TOWEL**

(76) Inventors: **John H. Sanders**, Sarasota, FL (US);
Norma Jean Holman, Sarasota, FL
(US)

(**) Term: **14 Years**

(21) Appl. No.: **29/383,776**

(22) Filed: **Jan. 21, 2011**

(51) **LOC (9) Cl.** **02-05**

(52) **U.S. Cl.** **D2/502**

(58) **Field of Classification Search** D2/500,
D2/501, 502, 503, 504, 505, 506, 507, 508,
D2/600, 602, 605, 509; D6/608; 2/91, 144,
2/147, 207, 208, 174, 916
See application file for complete search history.

(56) **References Cited**

U.S. PATENT DOCUMENTS

779,510	A *	1/1905	Troost	2/91
891,166	A *	6/1908	Harrison	2/91
1,405,744	A *	2/1922	Sampliner	2/91
1,916,068	A	6/1933	Nyhagen	
1,936,045	A	11/1933	Bachrach	
D142,469	S *	10/1945	Brodigan	D2/500
2,461,215	A *	2/1949	Judge	2/91
2,665,426	A	1/1954	Schmidt	
2,870,448	A	1/1959	Rosenthal	
2,939,150	A	6/1960	Rosenthal	
3,532,339	A *	10/1970	Smith	482/105
D315,640	S	3/1991	Pelzel	
5,086,629	A	2/1992	Dibrell	
5,326,610	A	7/1994	Moss	
D364,722	S *	12/1995	Kallonakis	D2/502
5,724,698	A	3/1998	Mondragon	
D396,338	S *	7/1998	Yang	D2/500
5,797,144	A	8/1998	Cicccone	
D400,335	S *	11/1998	Metcalf	D2/500
D414,645	S	10/1999	Cooper	
D428,751	S	8/2000	Edwards et al.	
6,227,742	B1	5/2001	Corn et al.	
6,644,881	B1	11/2003	Dawan	
D486,953	S *	2/2004	Hall	D2/500

6,718,554	B1	4/2004	Langston	
D495,550	S	9/2004	Weeks	
D512,259	S	12/2005	Mitchell	
6,986,163	B2	1/2006	Dugan	
D559,609	S	1/2008	Gonzalez	
D572,960	S	7/2008	Bendsen et al.	
7,467,423	B1 *	12/2008	Tawfik	2/207
D591,548	S	5/2009	LaFratta	
D596,439	S *	7/2009	Hall	D6/608
D602,228	S *	10/2009	Pritchett	D2/502
D613,544	S *	4/2010	Salvaggio	D6/608
D620,741	S	8/2010	Pride-Darrington et al.	
D622,483	S	8/2010	Stein	
D645,227	S *	9/2011	Clemens	D2/502
2005/0039242	A1 *	2/2005	Edmondson	2/207
2007/0022518	A1 *	2/2007	Sheu	2/207
2007/0204383	A1	9/2007	Hunt	

* cited by examiner

Primary Examiner — Karen E Eldridge Powers

(74) *Attorney, Agent, or Firm* — Charles J. Prescott

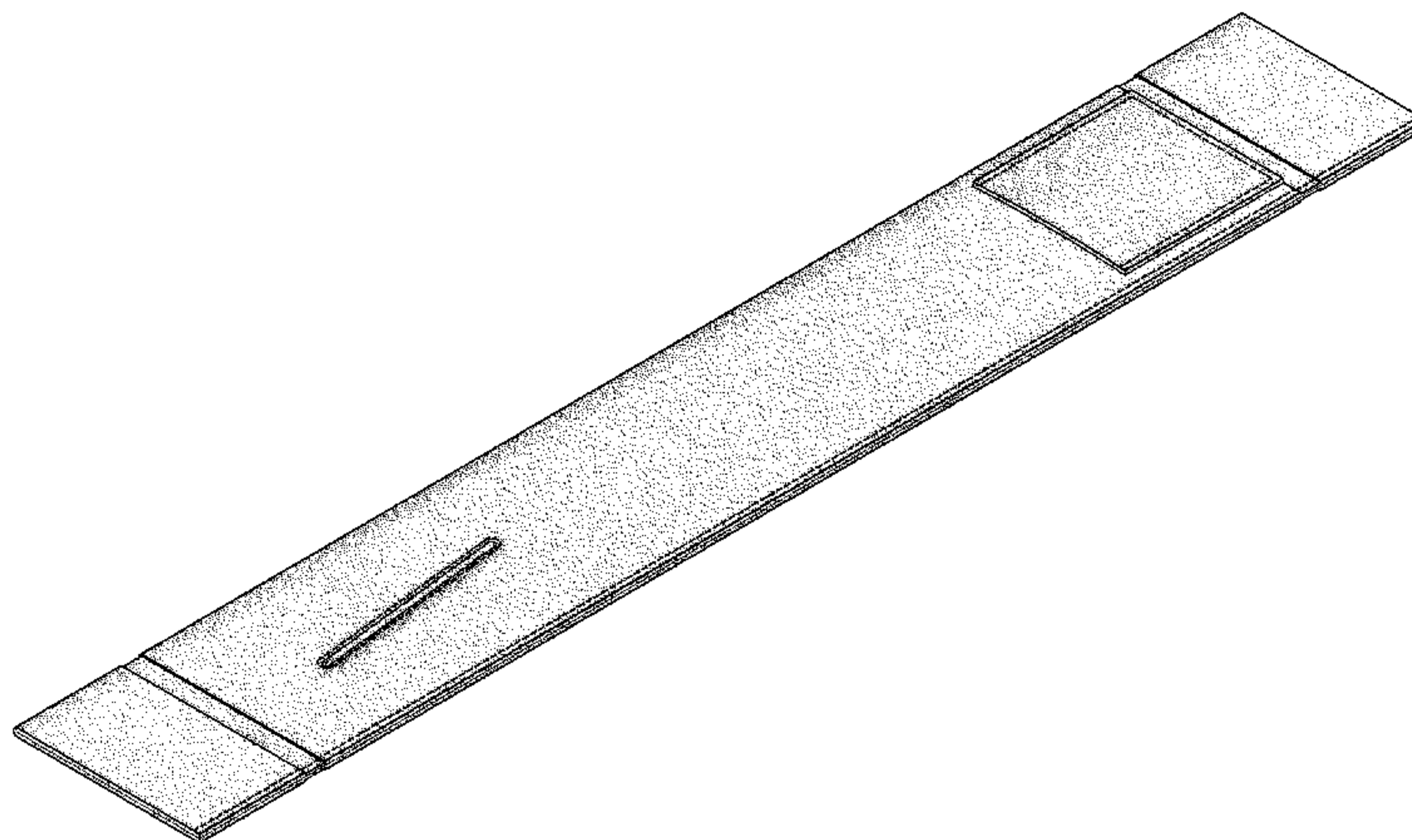
(57) **CLAIM**

The ornamental design for a neck towel, as shown and described.

DESCRIPTION

FIG. 1 is a perspective view of a neck towel showing our new design;
 FIG. 2 is a top plan view of the design of FIG. 1;
 FIG. 3 is a bottom plan view of the design of FIG. 1;
 FIG. 4 is a right side elevation view of the design of FIG. 1;
 FIG. 5 is a left side elevation view of the design of FIG. 1;
 FIG. 6 is an end elevation view of one end of the design of FIG. 1;
 FIG. 7 is an end elevation of the other end of the design of FIG. 1; and,
 FIG. 8 is a perspective view of the design of FIG. 1 in use.
 The broken lines shown on the surfaces of the neck towel are stitching. The partial human figure drawn in longer-segmented broken lines forms no part of the claimed design; it is meant to show the claimed design as it would appear when worn.

1 Claim, 4 Drawing Sheets



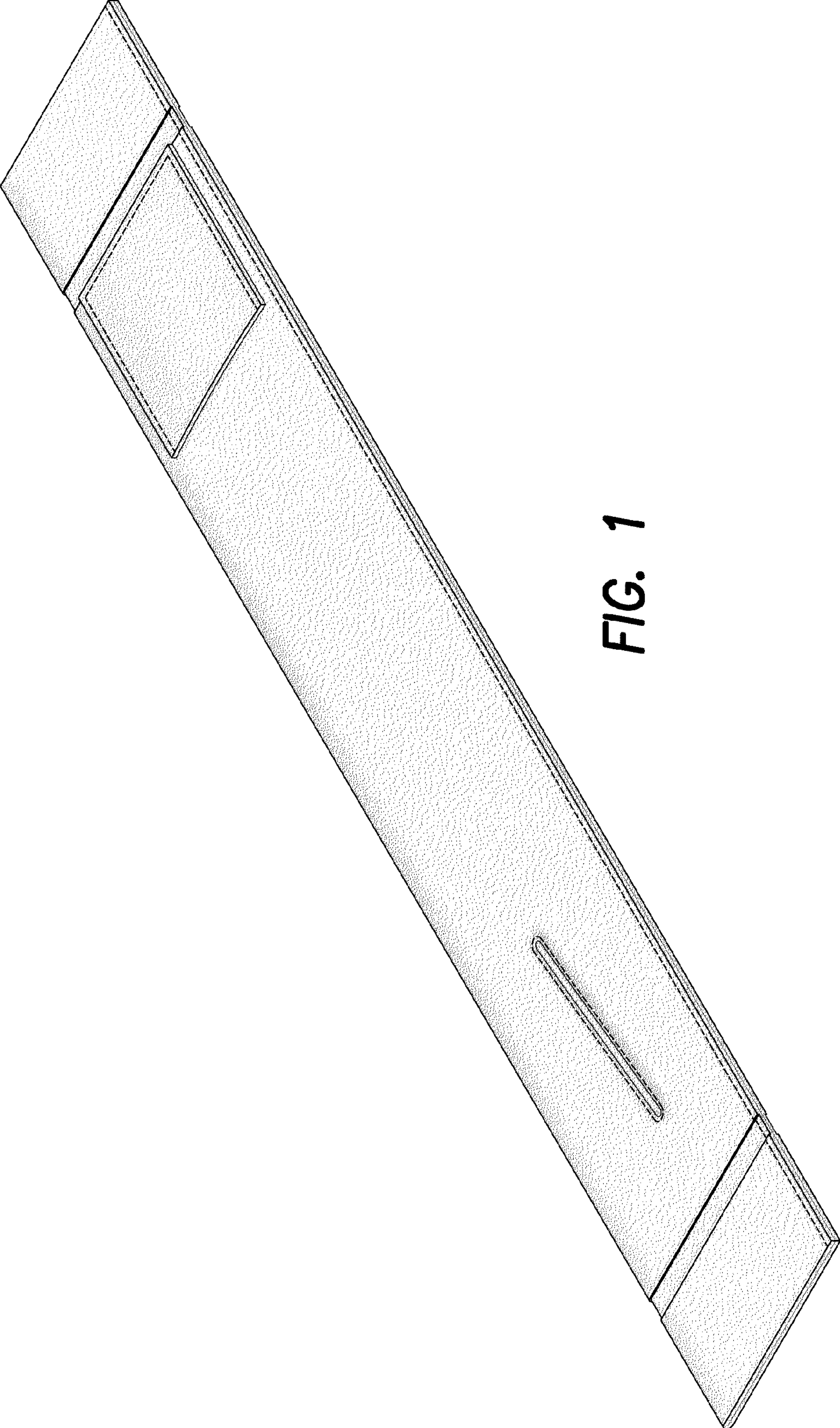


FIG. 1

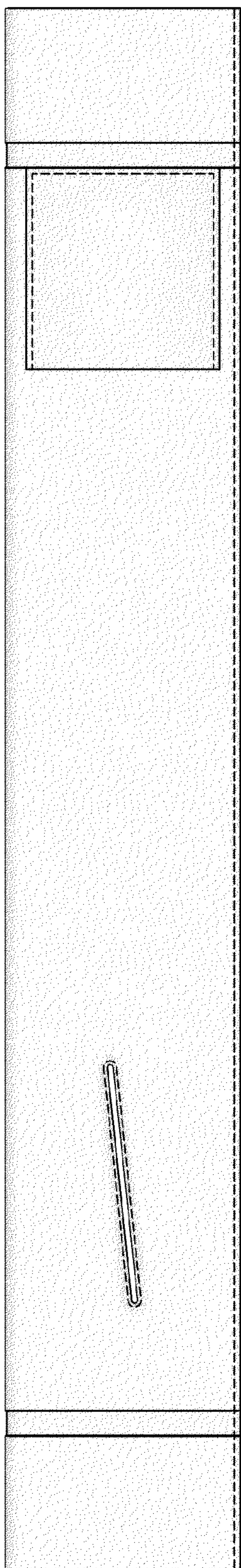


FIG. 2

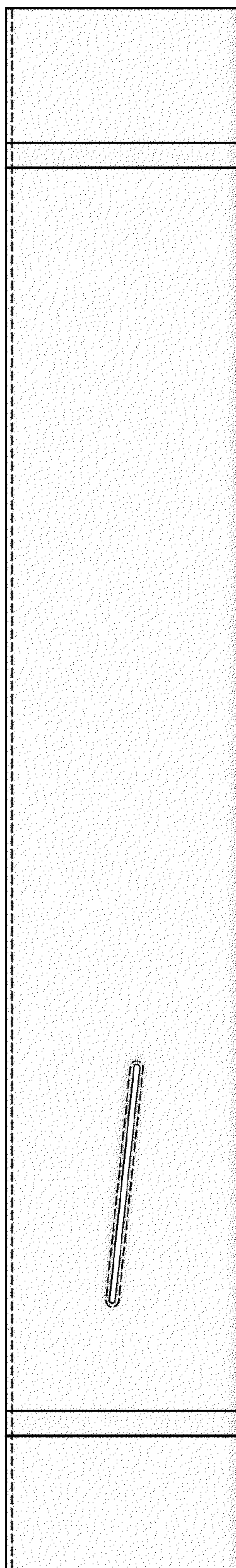


FIG. 3



FIG. 4

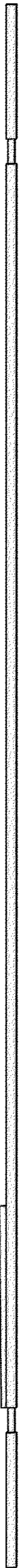


FIG. 5



FIG. 7



FIG. 6

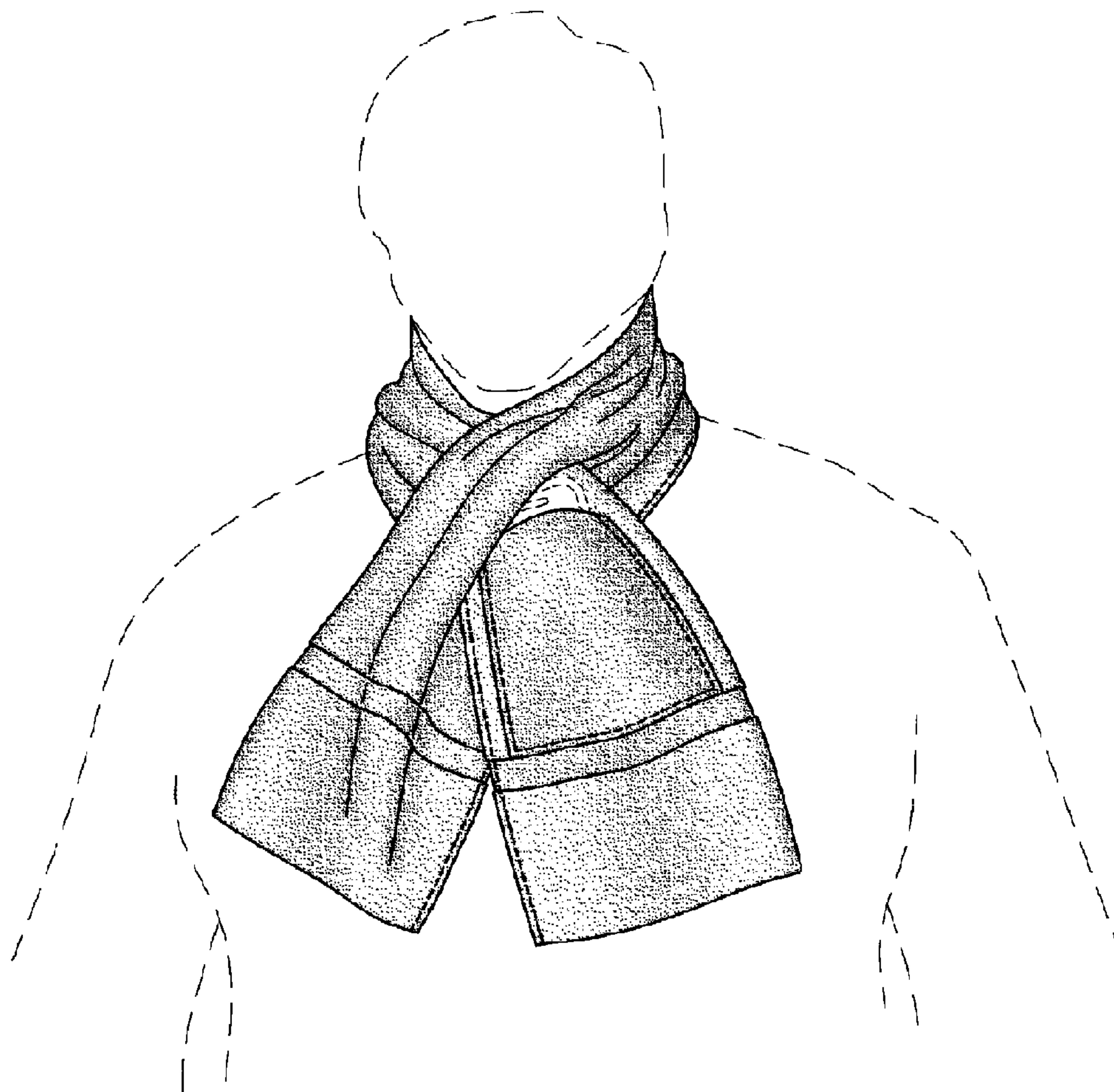


FIG. 8