



US00D650142S

(12) **United States Design Patent**  
**McRorie**

(10) **Patent No.:** **US D650,142 S**

(45) **Date of Patent:** **\*\* Dec. 6, 2011**

(54) **TECHNOLOGY CART**

(75) Inventor: **Robert Grant McRorie**, Huntersville,  
NC (US)

(73) Assignee: **Rubbermaid Incorporated**,  
Huntersville, NC (US)

(\*\*) Term: **14 Years**

(21) Appl. No.: **29/385,720**

(22) Filed: **Feb. 18, 2011**

(51) **LOC (9) Cl.** ..... **12-02**

(52) **U.S. Cl.** ..... **D34/14**

(58) **Field of Classification Search** ..... D34/12-27;  
280/47.34, 79.3, 47.35, 47.26; 248/129,  
248/174; D6/426, 422, 436, 460; 108/150.01,  
108/7, 59; D24/185

See application file for complete search history.

(56) **References Cited**

**U.S. PATENT DOCUMENTS**

D146,375	S	*	2/1947	Obrig	.....	D6/446
3,715,148	A	*	2/1973	Beals	.....	312/209
3,910,659	A	*	10/1975	Peterson	.....	312/226
5,630,566	A		5/1997	Case		
5,918,841	A		7/1999	Sweere et al.		
D450,903	S		11/2001	Wacker et al.		
D517,768	S	*	3/2006	Arceta	.....	D34/14
D518,267	S	*	3/2006	Arceta	.....	D34/14
D536,151	S	*	1/2007	Rossini et al.	.....	D34/12
D548,918	S	*	8/2007	Nussberger	.....	D34/17
D553,324	S	*	10/2007	Lieblein	.....	D34/14

D612,561	S	*	3/2010	Hunter et al.	.....	D34/14
D626,235	S	*	10/2010	Smith et al.	.....	D24/158
D632,797	S	*	2/2011	Ross et al.	.....	D24/185
2008/0168930	A1		7/2008	Calero		
2009/0212518	A1*		8/2009	Bustle et al.	.....	280/47.35
2010/0213679	A1*		8/2010	Smith et al.	.....	280/47.35
2011/0042911	A1*		2/2011	Kozlowski et al.	.....	280/47.35

\* cited by examiner

*Primary Examiner* — Cynthia Ramirez

(74) *Attorney, Agent, or Firm* — Dennis J. Williamson;  
Moore & Van Allen, PLLC

(57) **CLAIM**

The ornamental design for a technology cart, as shown and described.

**DESCRIPTION**

FIG. 1 is a front view showing my new design for a technology cart in a first position;

FIG. 2 is a left side view showing my new design shown in FIG. 1;

FIG. 3 is a right side view showing my new design shown in FIG. 1;

FIG. 4 is a top view showing my new design shown in FIG. 1;

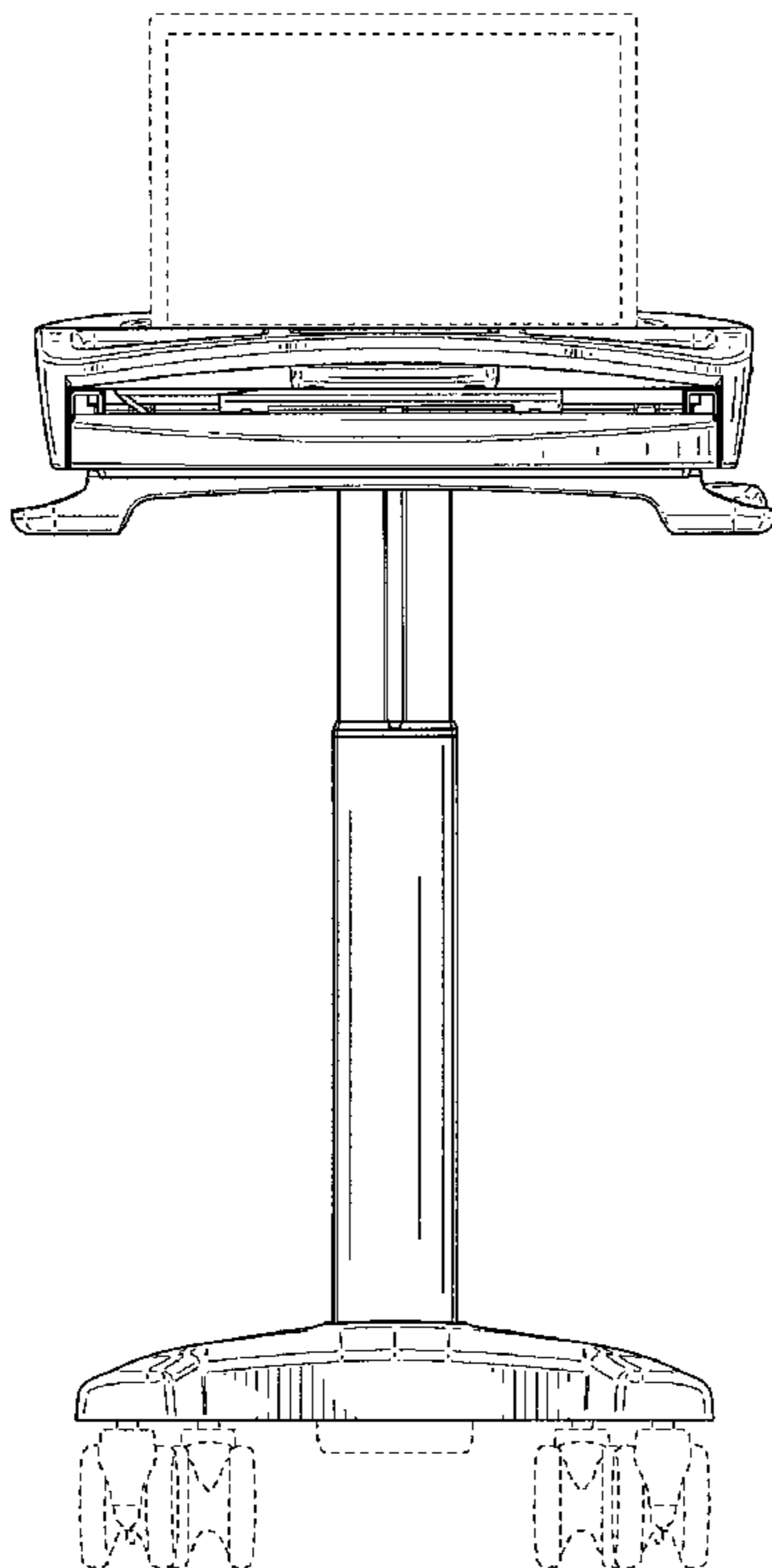
FIG. 5 is a bottom view showing my new design shown in FIG. 1;

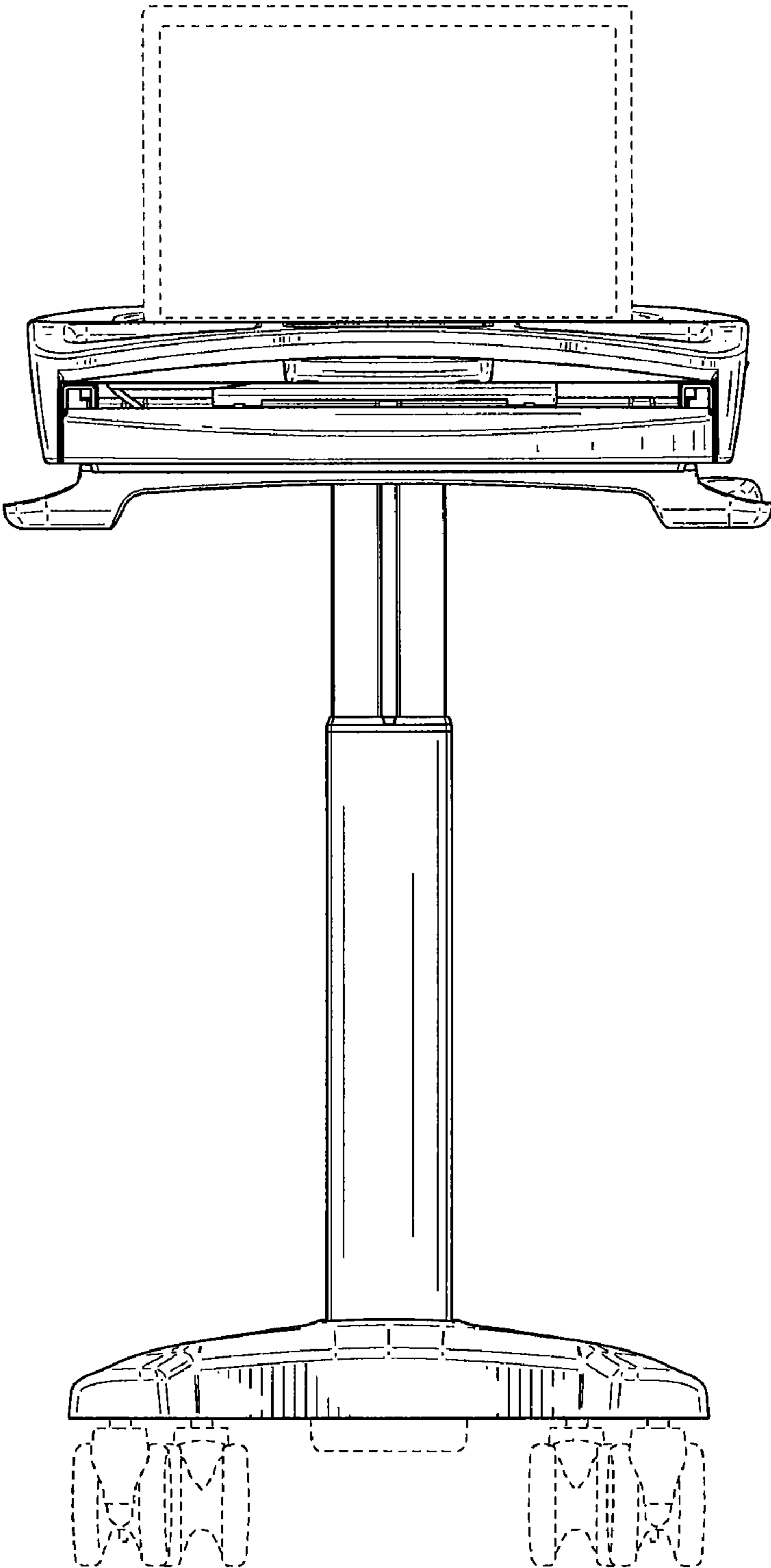
FIG. 6 is a back view showing my new design shown in FIG. 1; and,

FIG. 7 is a perspective view showing my new design shown in FIG. 1.

The broken lines in the drawings are to show environmental structure and form no part of the claimed design.

**1 Claim, 6 Drawing Sheets**





**FIG. 1**

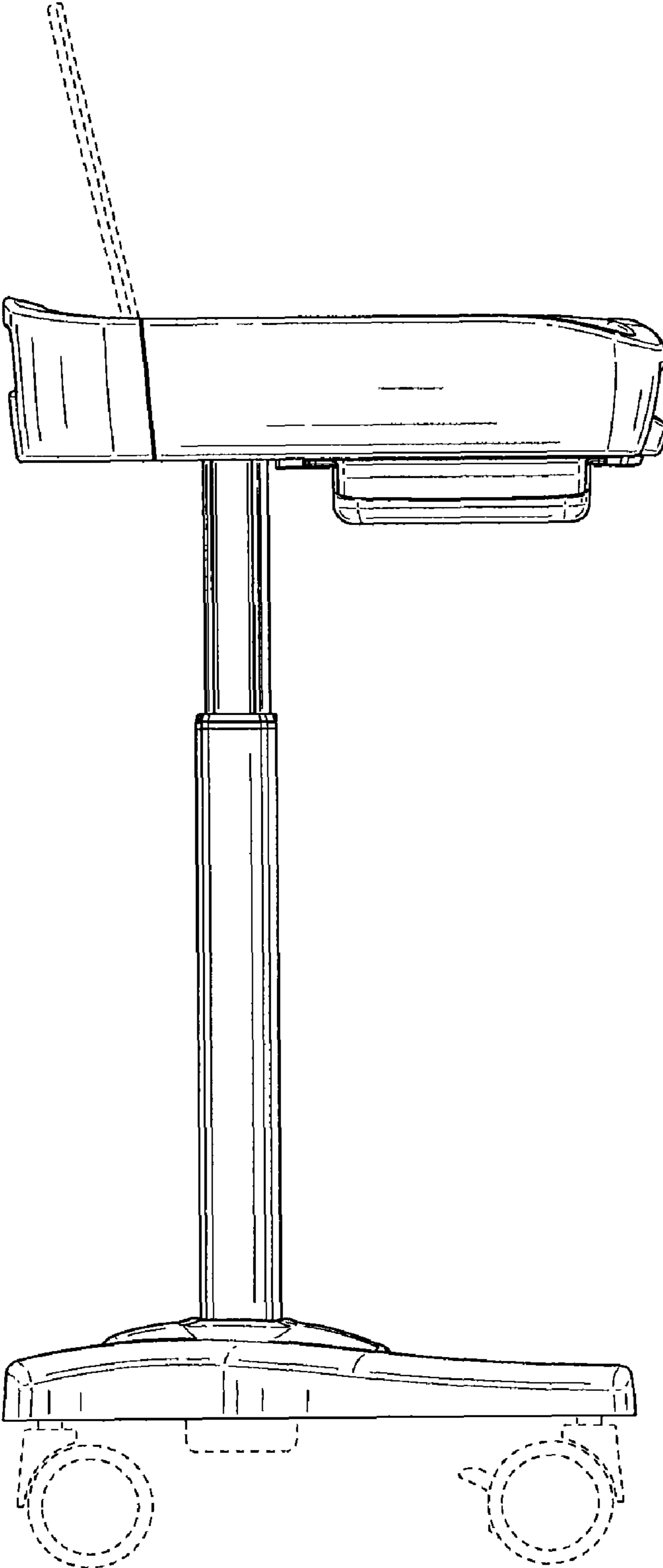
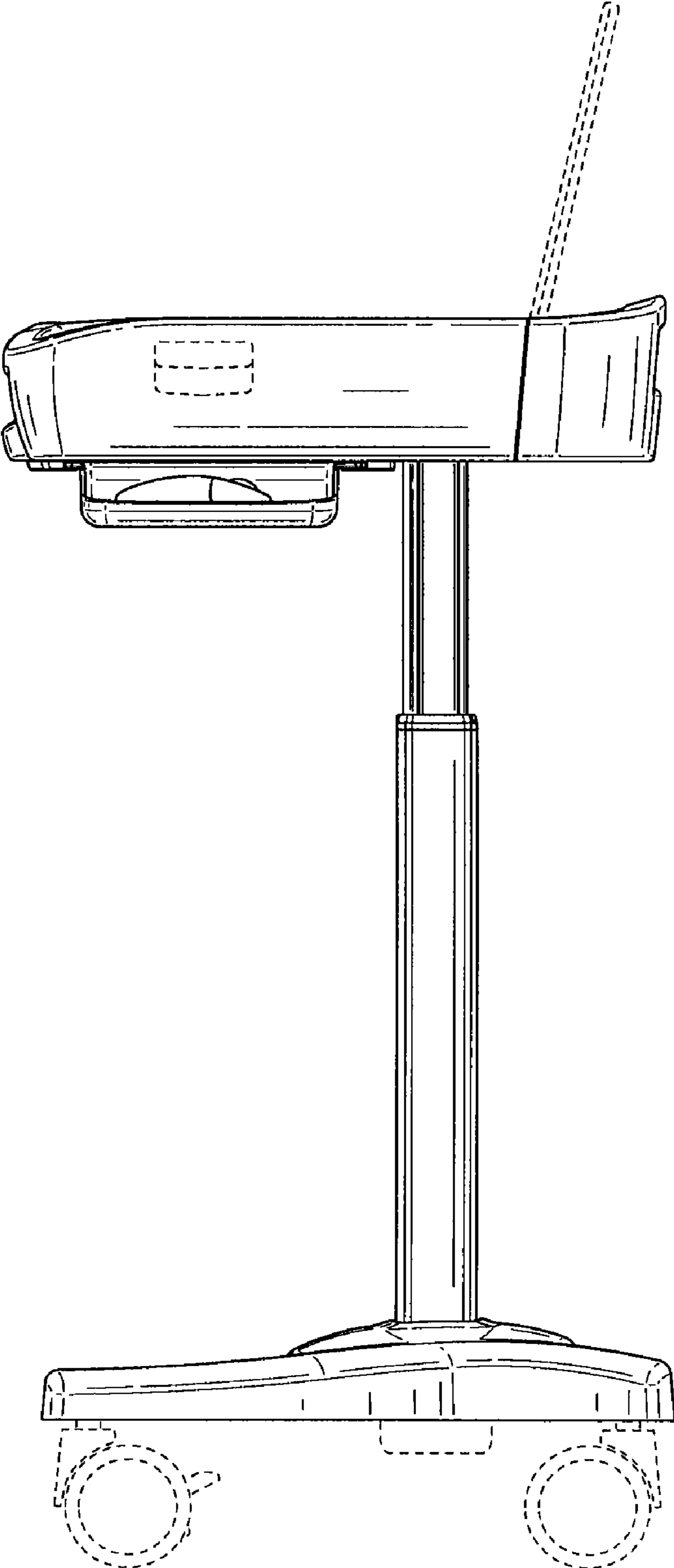
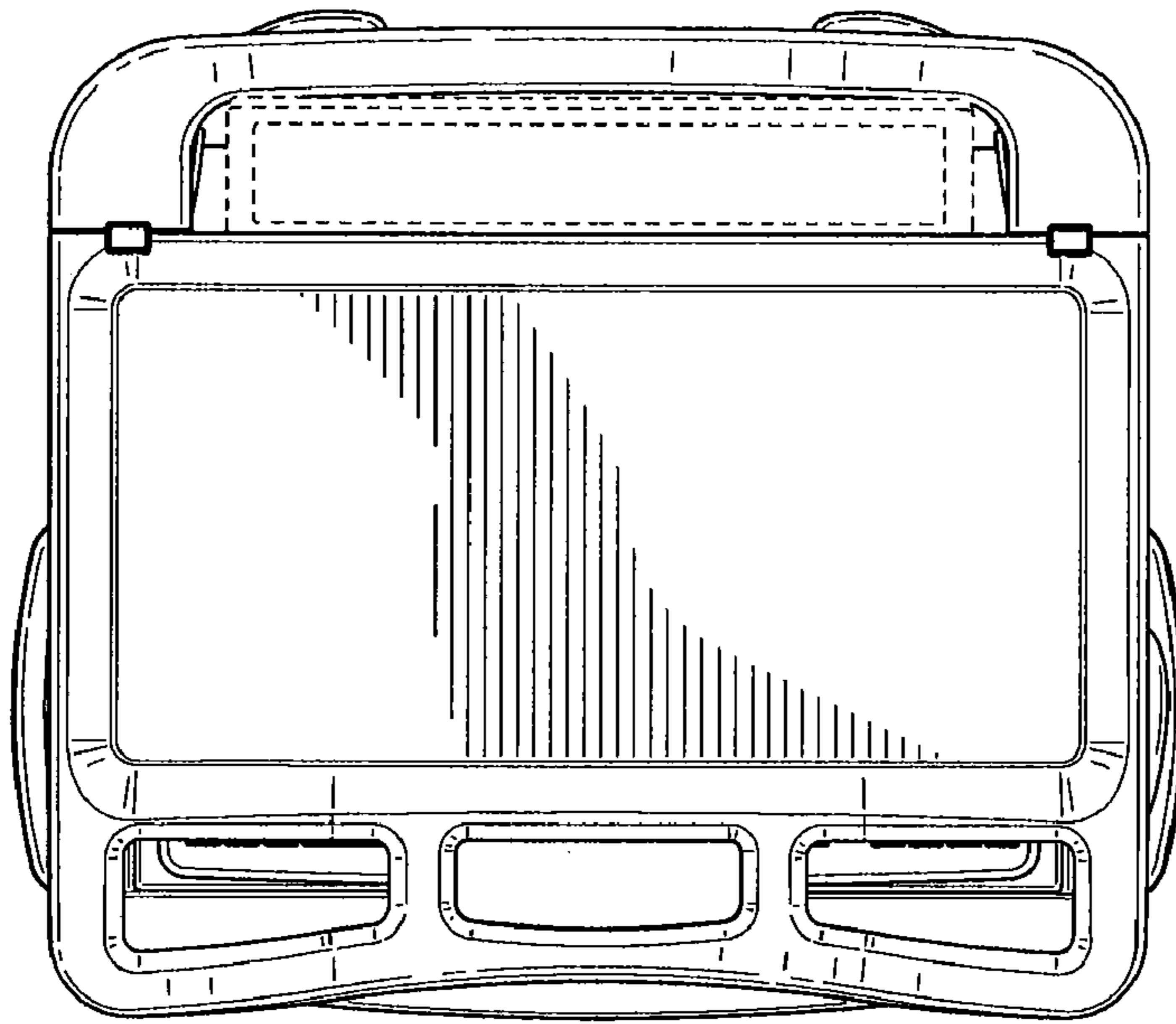


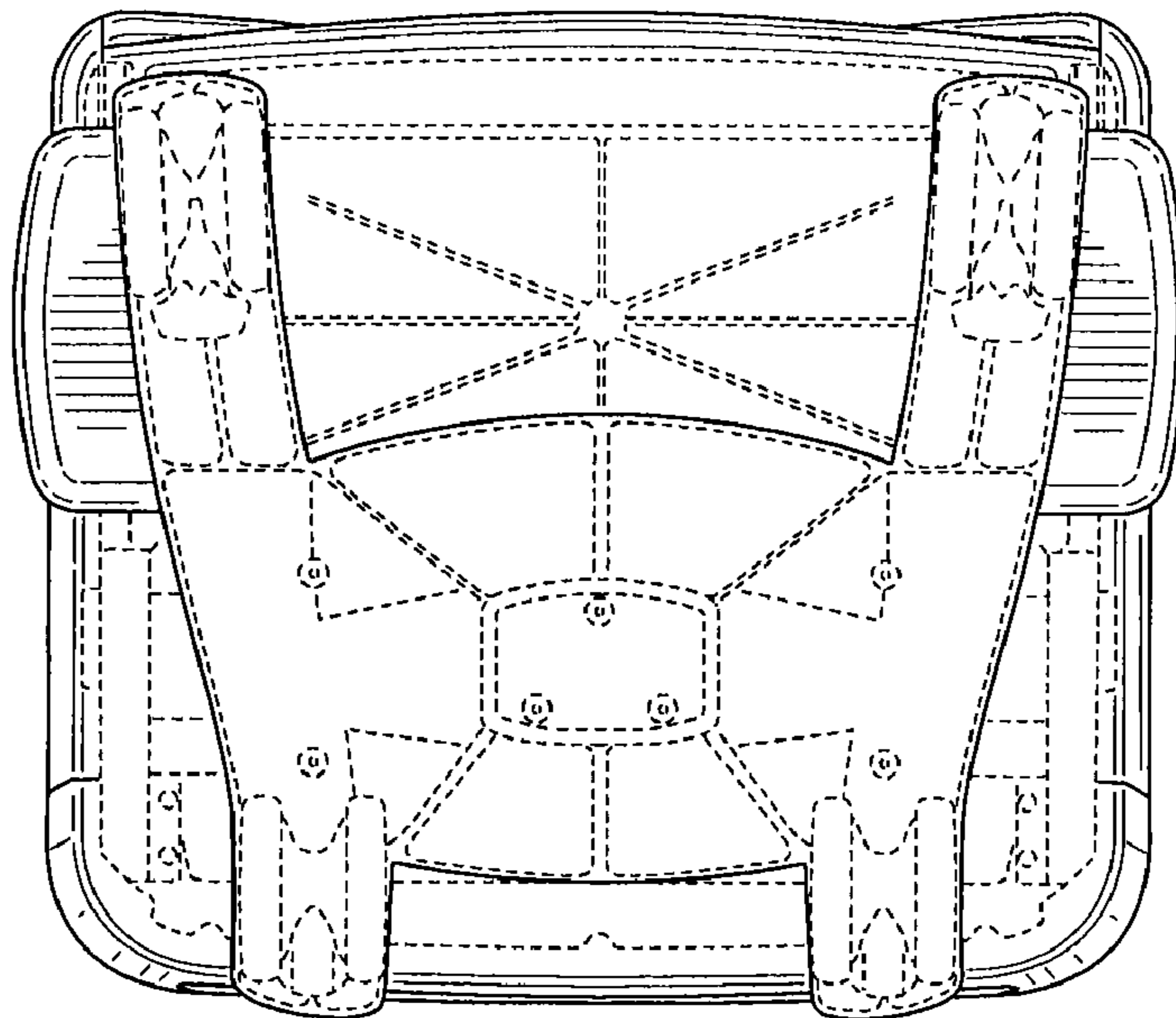
FIG. 2



**FIG. 3**



**FIG. 4**



**FIG. 5**

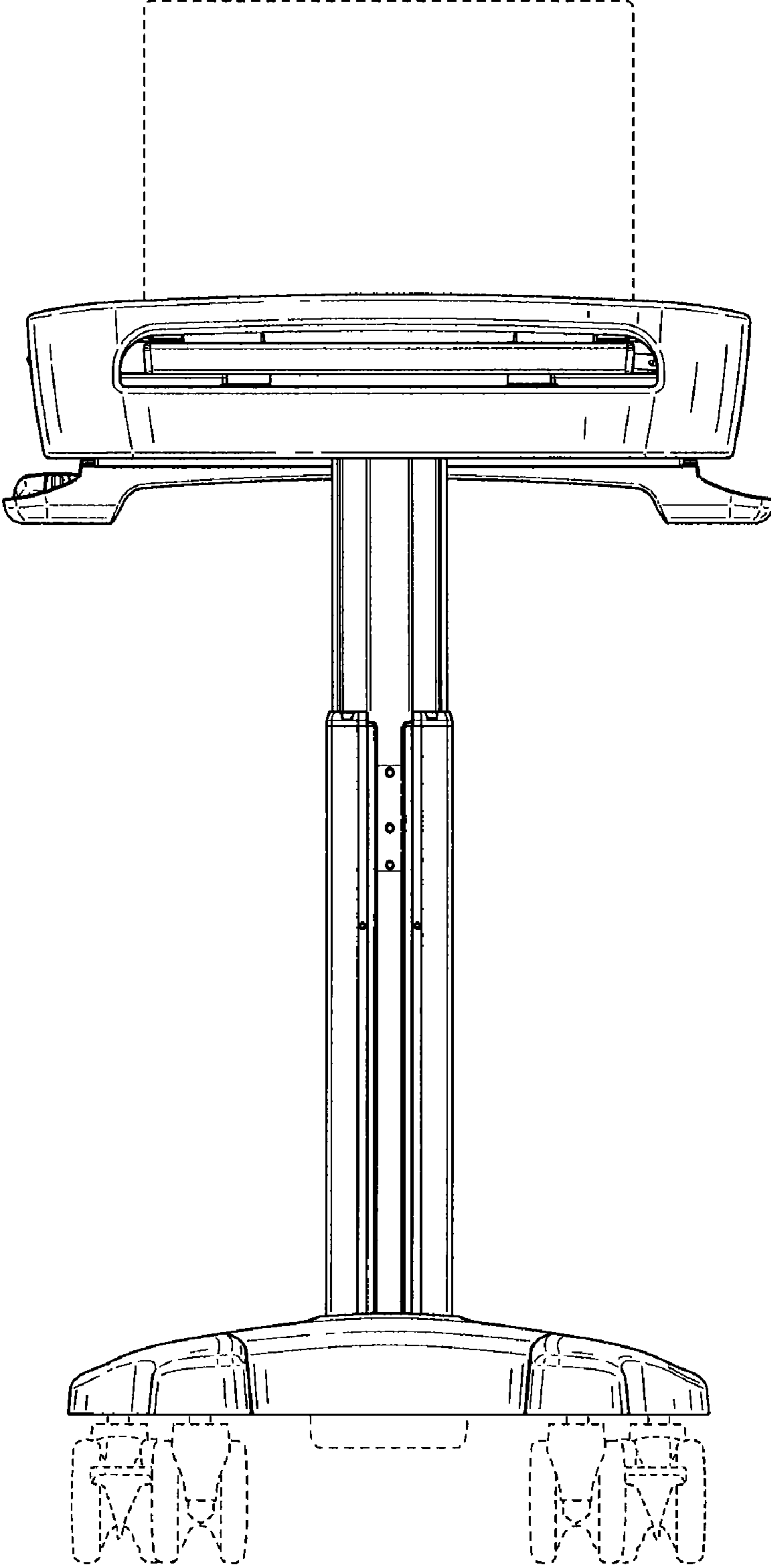
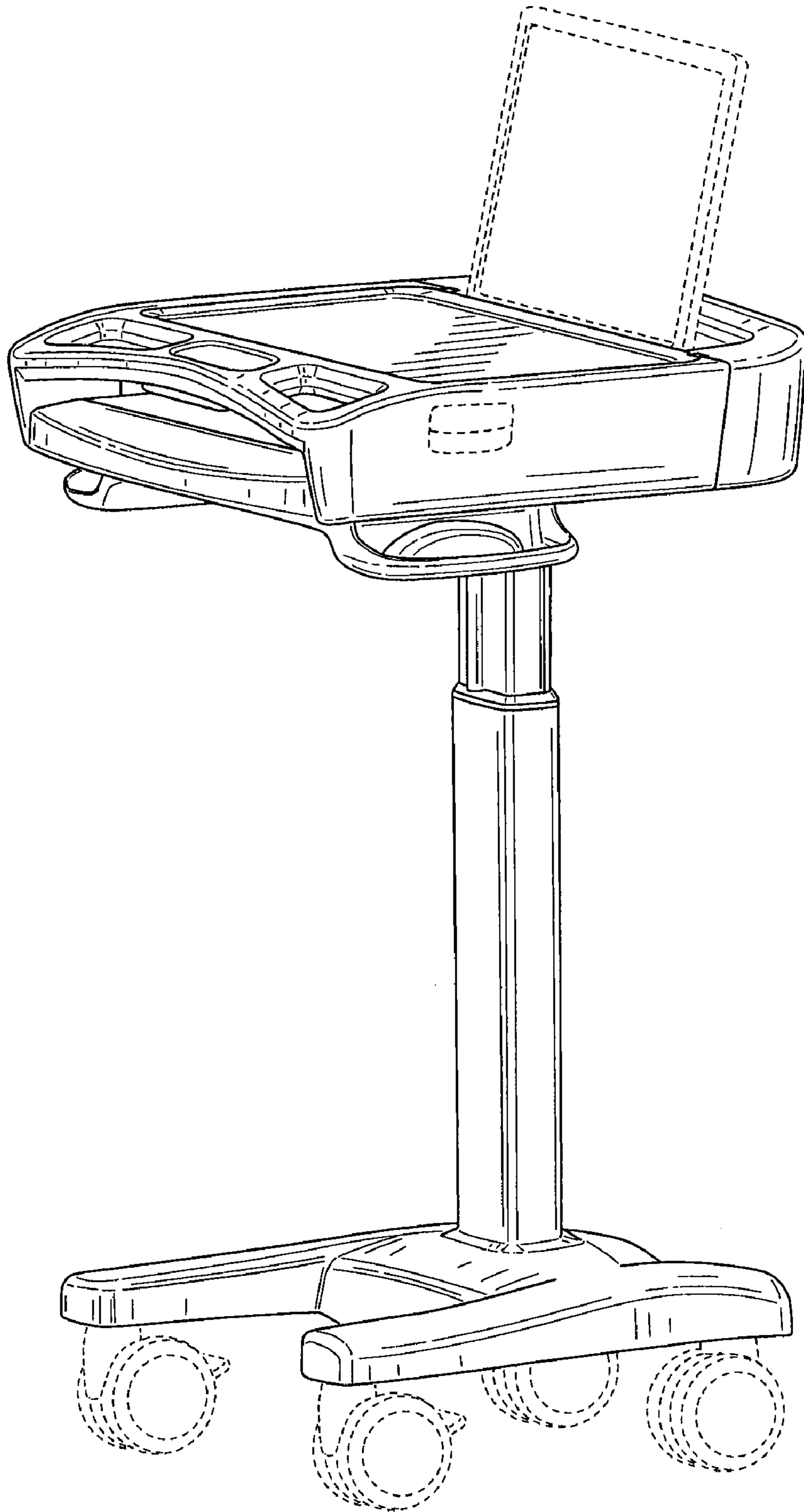


FIG. 6



**FIG. 7**