



US00D650141S

(12) **United States Design Patent**  
**Salonen et al.**

(10) **Patent No.:** **US D650,141 S**  
(45) **Date of Patent:** **\*\* Dec. 6, 2011**

(54) **WASTE COLLECTING CONTAINER**

(75) Inventors: **Ari Salonen**, Turku (FI); **Ari Pöllänen**,  
Turku (FI)

(73) Assignee: **Hannoa Oy**, Turku (FI)

(\*\*) Term: **14 Years**

(21) Appl. No.: **29/382,612**

(22) Filed: **Jan. 5, 2011**

(30) **Foreign Application Priority Data**

Jul. 5, 2010 (EM) ..... 001727868-0001

(51) **LOC (9) Cl.** ..... **09-09**

(52) **U.S. Cl.** ..... **D34/7**

(58) **Field of Classification Search** ..... D34/1-11;  
220/908, 908.1, 909, 911; D3/272, 273,  
D3/274, 905

See application file for complete search history.

(56) **References Cited**

U.S. PATENT DOCUMENTS

1,239,307 A \* 9/1917 Schmid ..... 232/43.1  
4,164,178 A \* 8/1979 Baumann et al. .... 100/99  
4,577,778 A \* 3/1986 Kim ..... 220/495.07  
4,658,720 A \* 4/1987 Massonnet ..... 100/226

D307,344 S \* 4/1990 Massonnet ..... D34/7  
D333,898 S \* 3/1993 Schulze et al. .... D34/7  
D335,727 S \* 5/1993 Kahl et al. .... D34/1  
D338,756 S \* 8/1993 Pink et al. .... D34/1  
5,474,341 A \* 12/1995 Putman et al. .... 292/230  
D511,247 S \* 11/2005 Tsuchiya ..... D3/273  
D535,799 S \* 1/2007 Epps ..... D34/7  
D586,520 S \* 2/2009 Shea ..... D34/7  
D641,122 S \* 7/2011 Kanervo ..... D34/7

\* cited by examiner

*Primary Examiner* — Cynthia Ramirez

(74) *Attorney, Agent, or Firm* — Stiennon & Stiennon

(57) **CLAIM**

The ornamental design for a waste collecting container, as shown and described.

**DESCRIPTION**

FIG. 1 is a top isometric view of the visible above ground parts of a waste collecting container of our invention;

FIG. 2 is a front elevational view thereof;

FIG. 3 is a right side elevational view thereof, the left side is a mirror image thereof;

FIG. 4 is a right side elevational view thereof, with a filling lid in an open position;

FIG. 5 is a rear elevational view thereof;

FIG. 6 is a rear isometric view thereof; and,

FIG. 7 is a top plan view thereof.

**1 Claim, 4 Drawing Sheets**

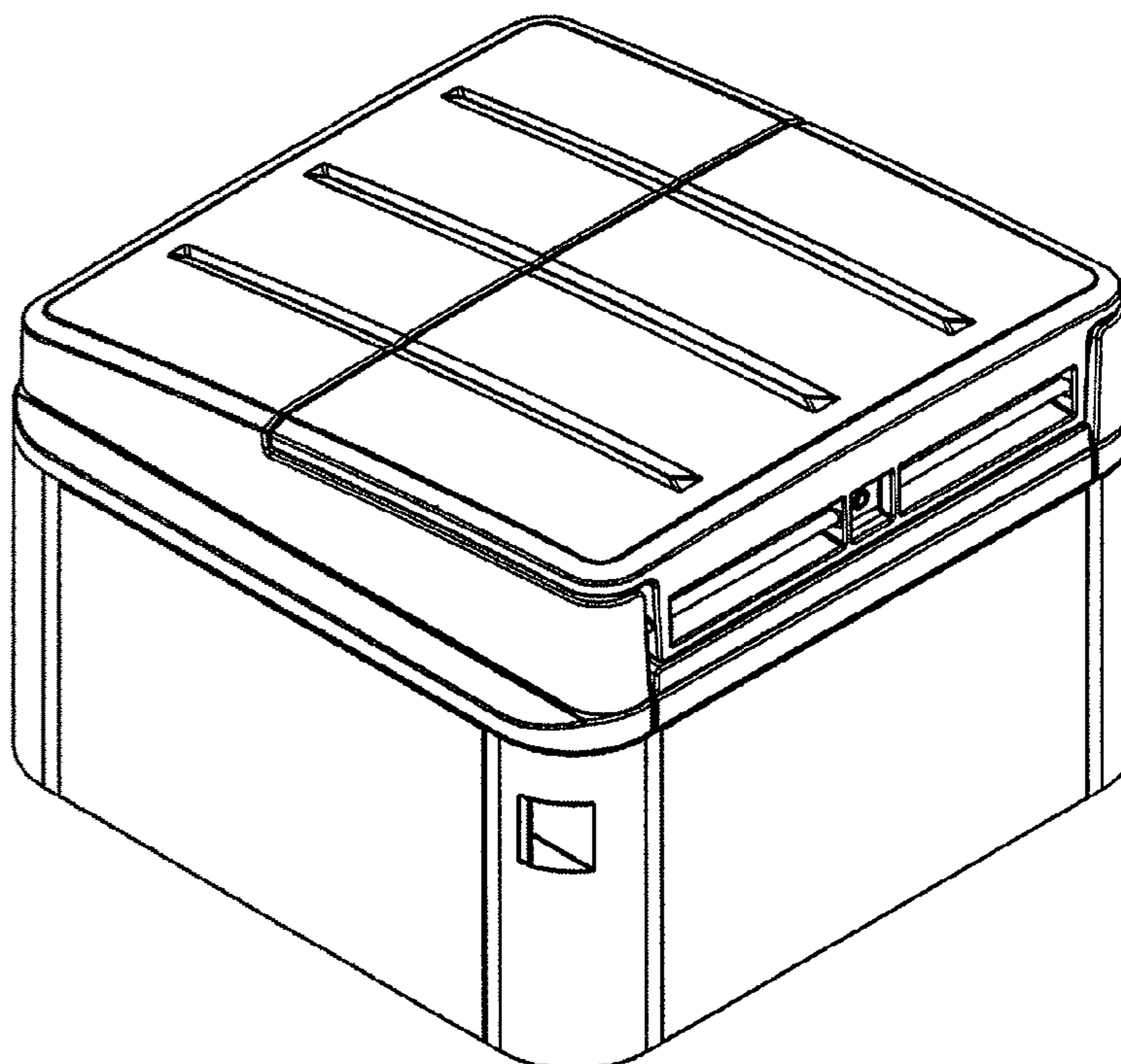


Figure 2

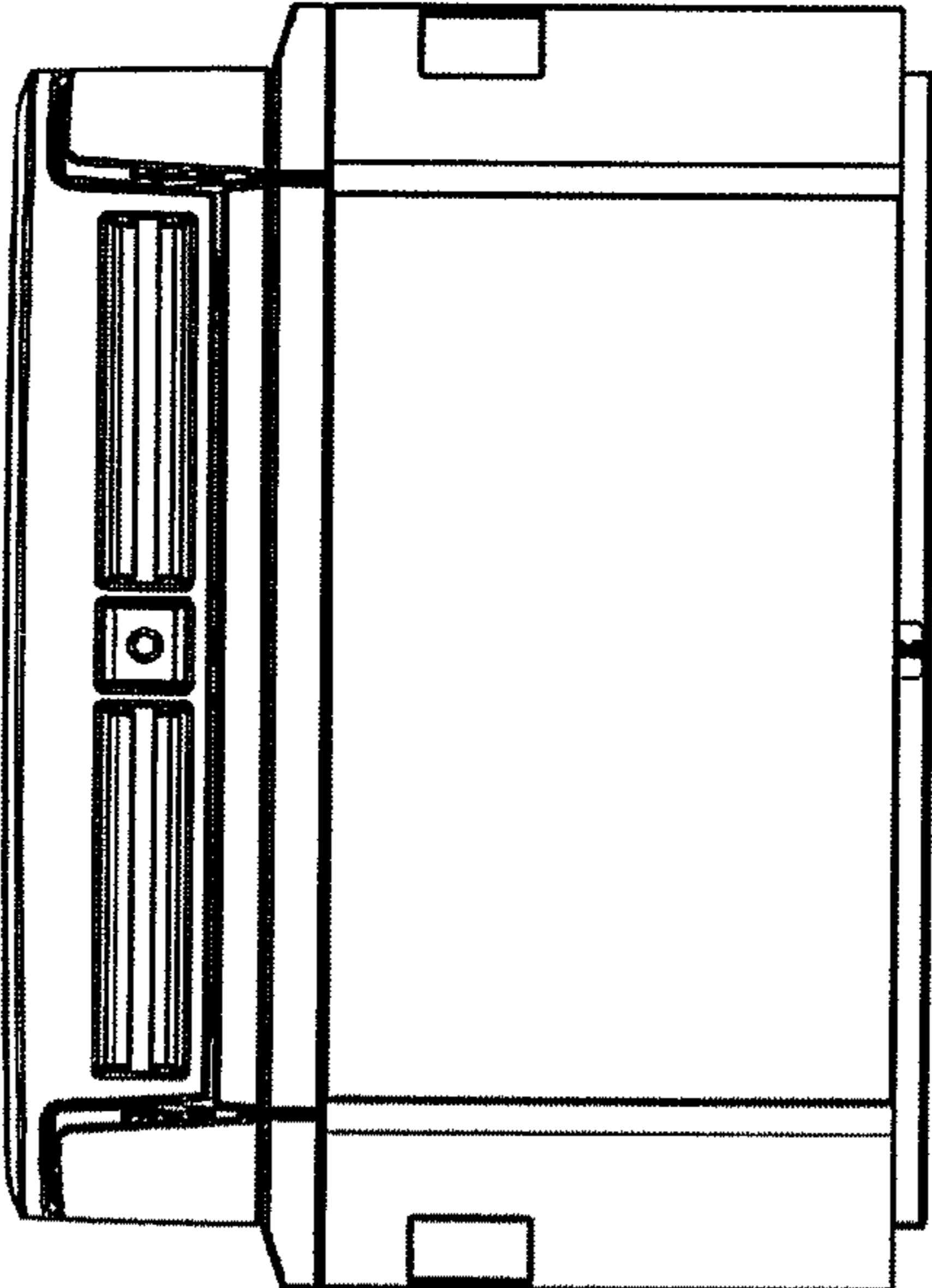


Figure 1

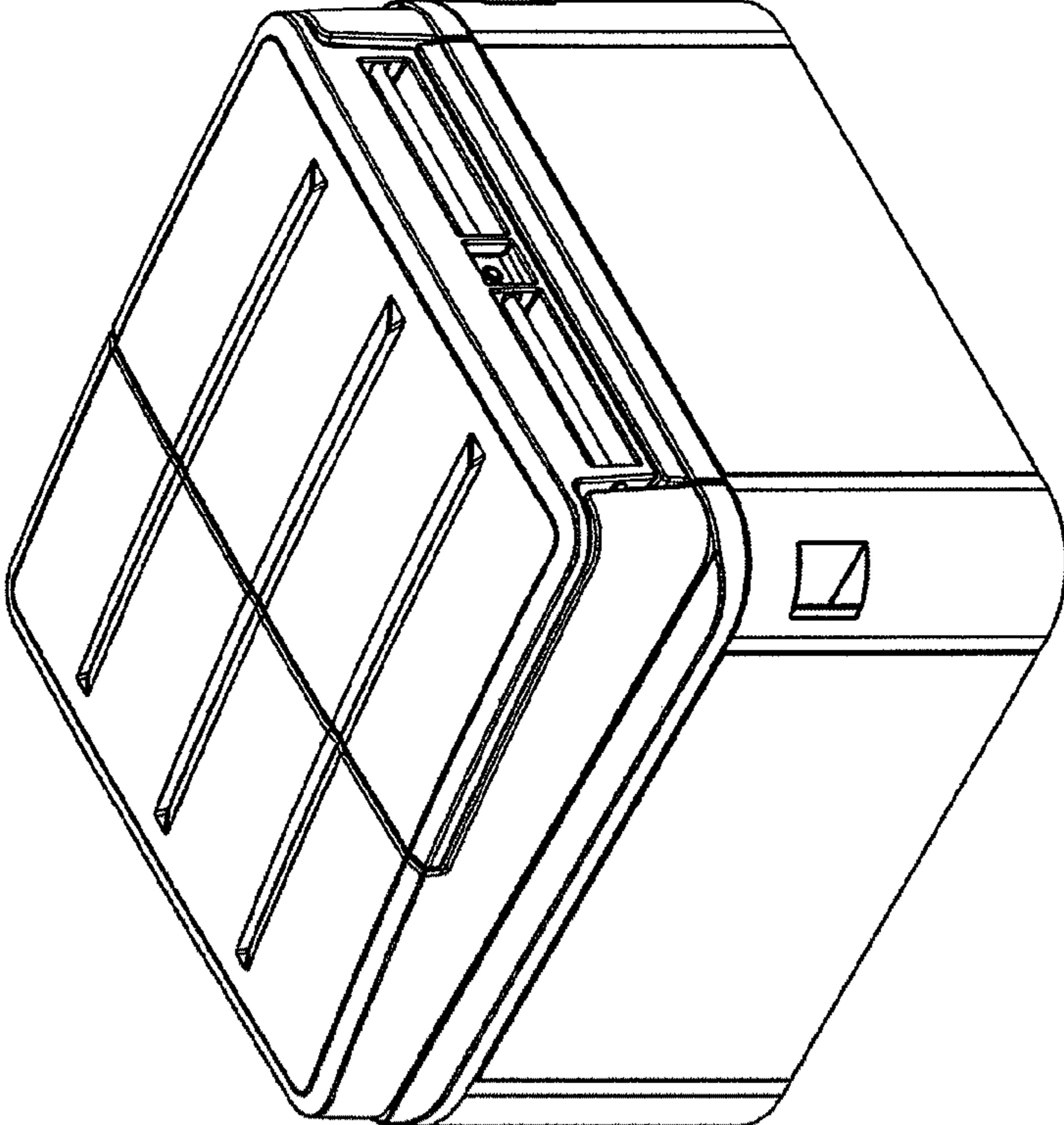


Figure 5

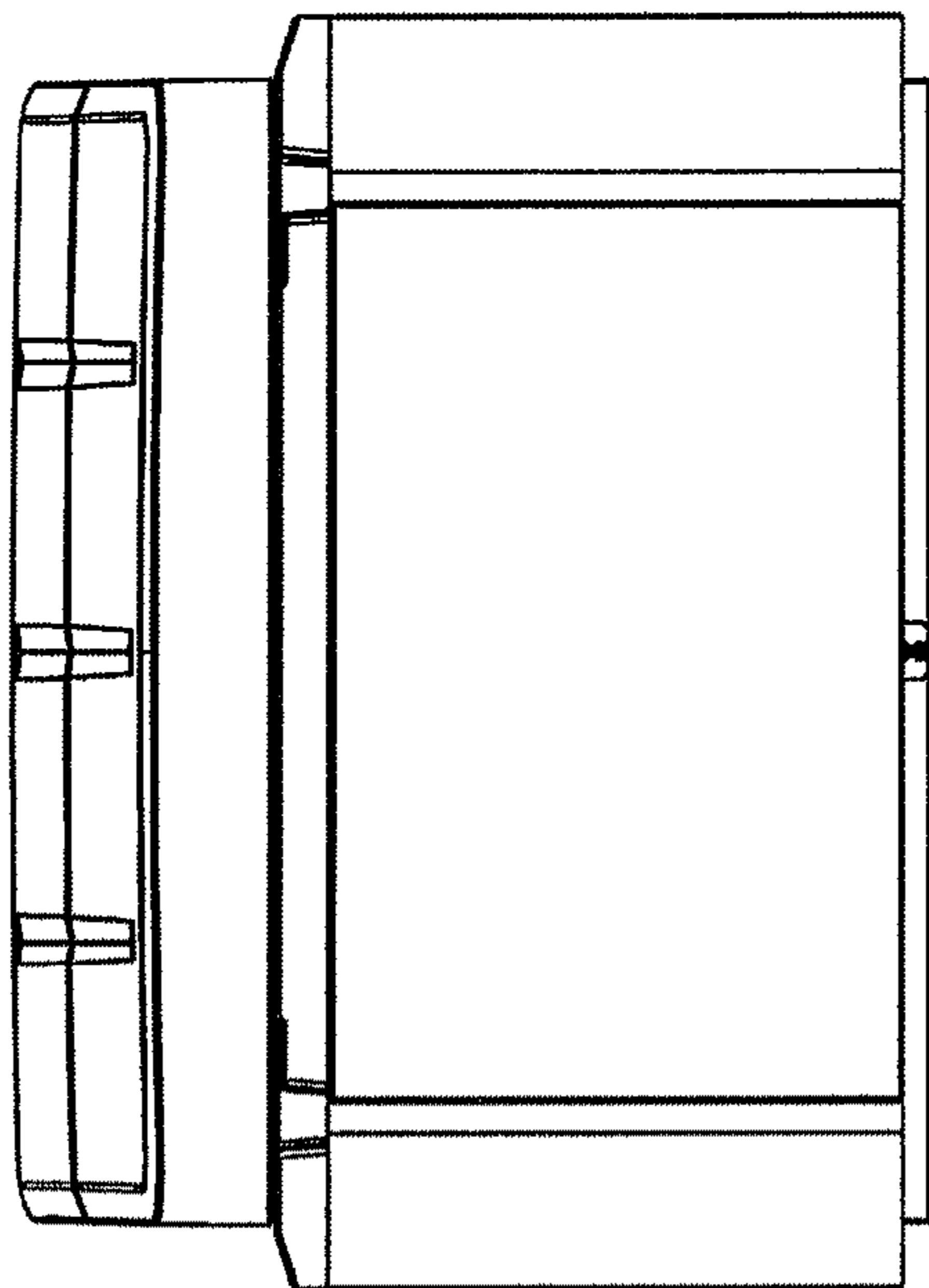


Figure 3

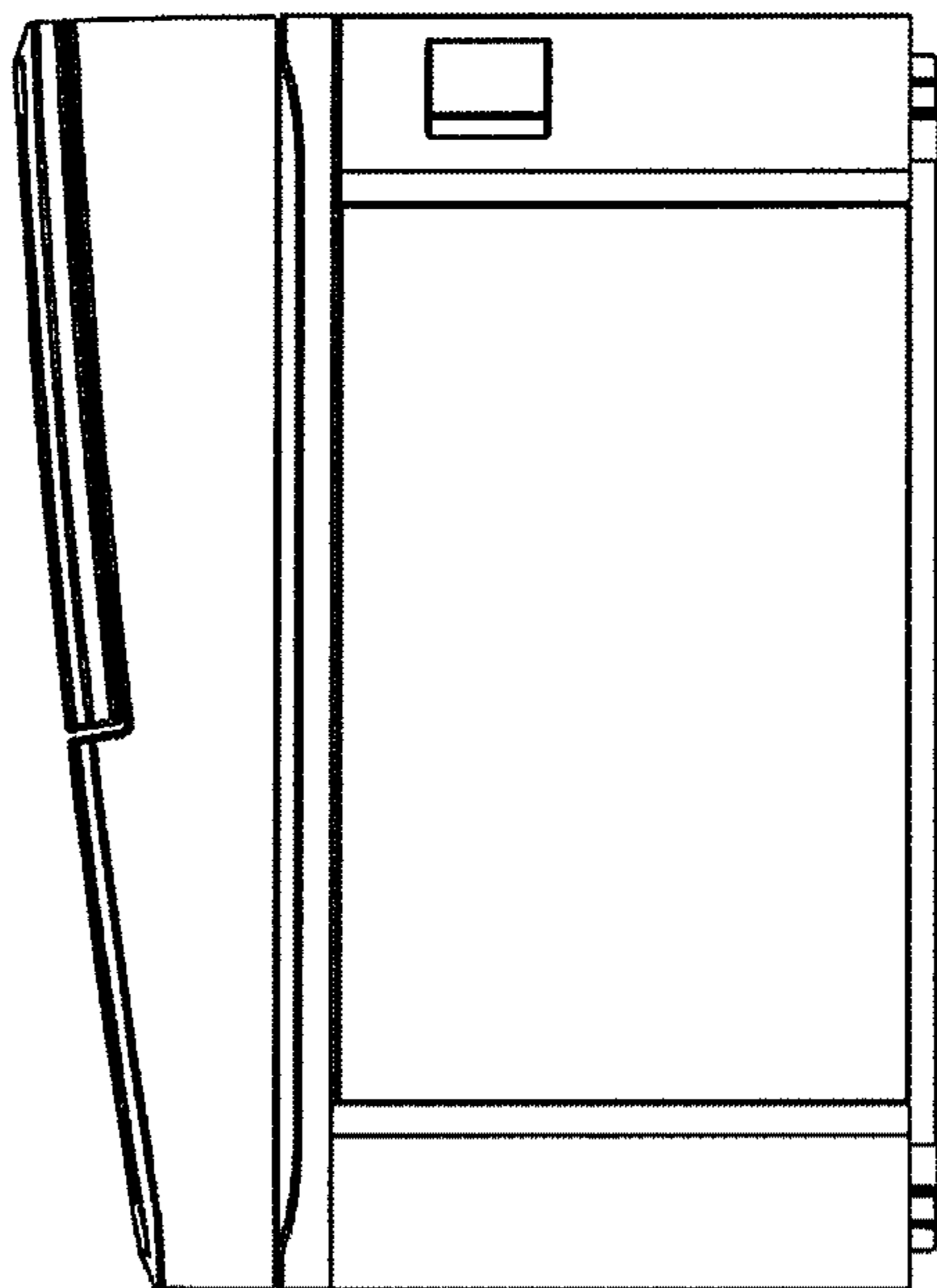
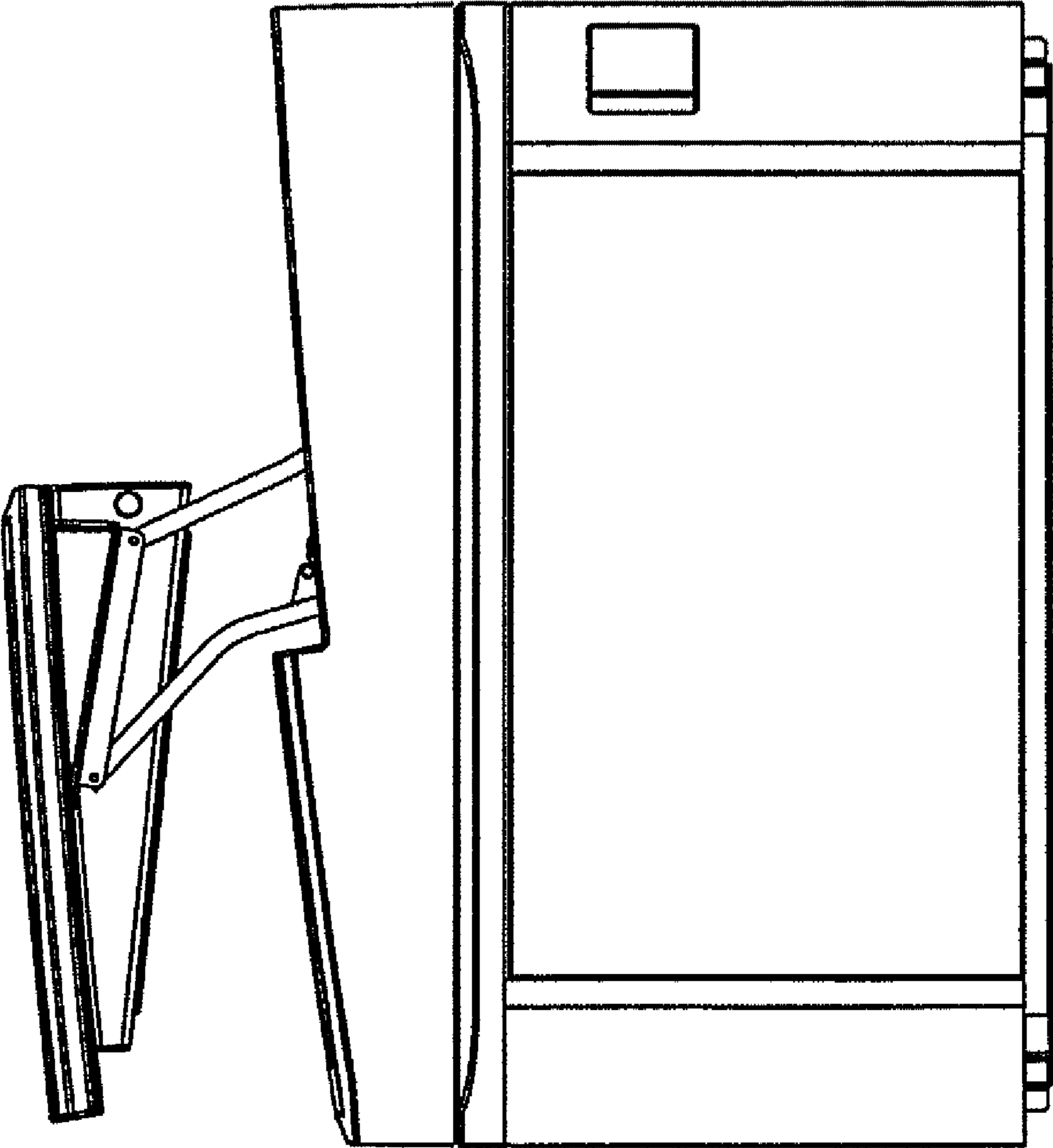


Figure 4



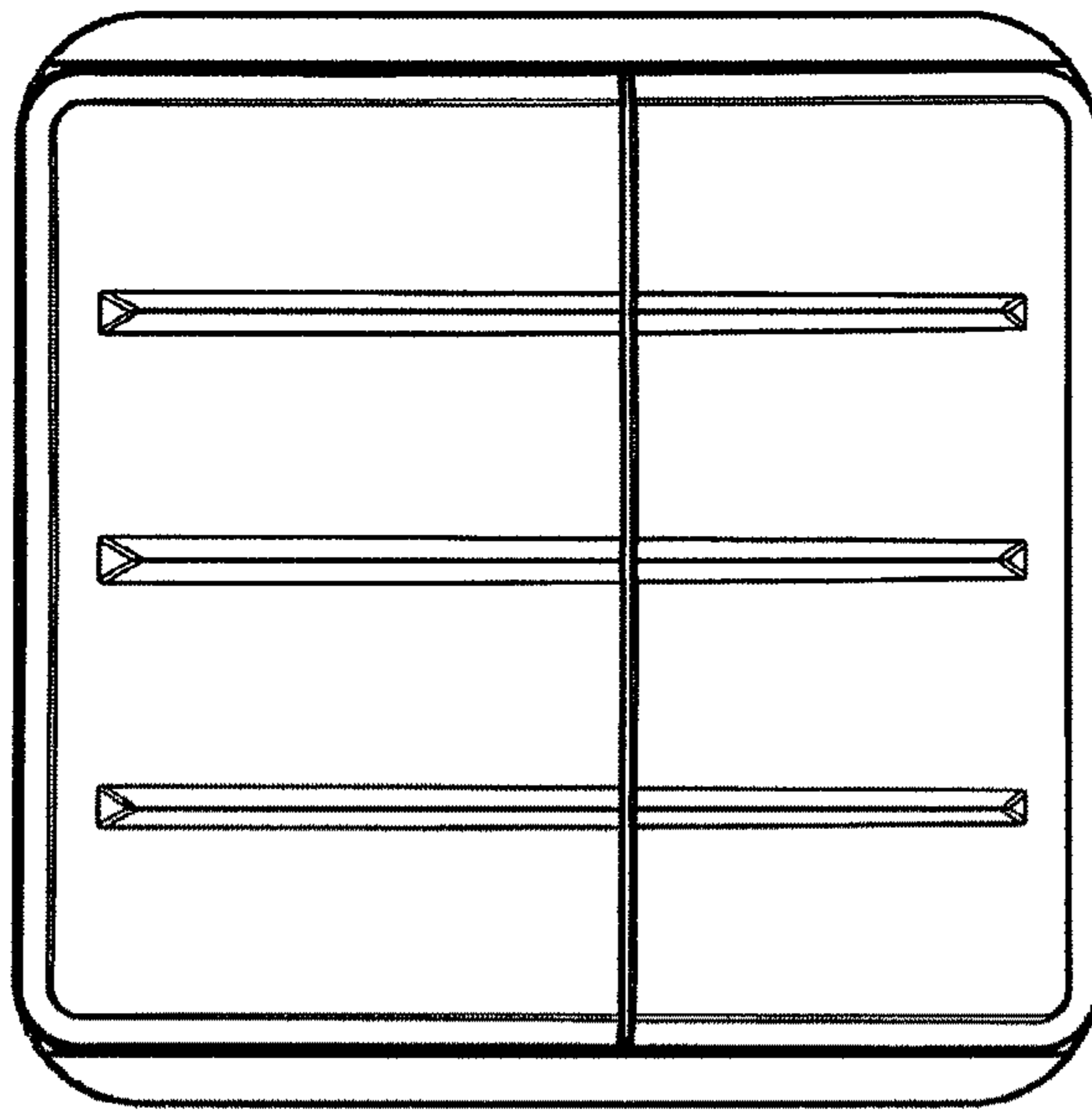


Figure 7

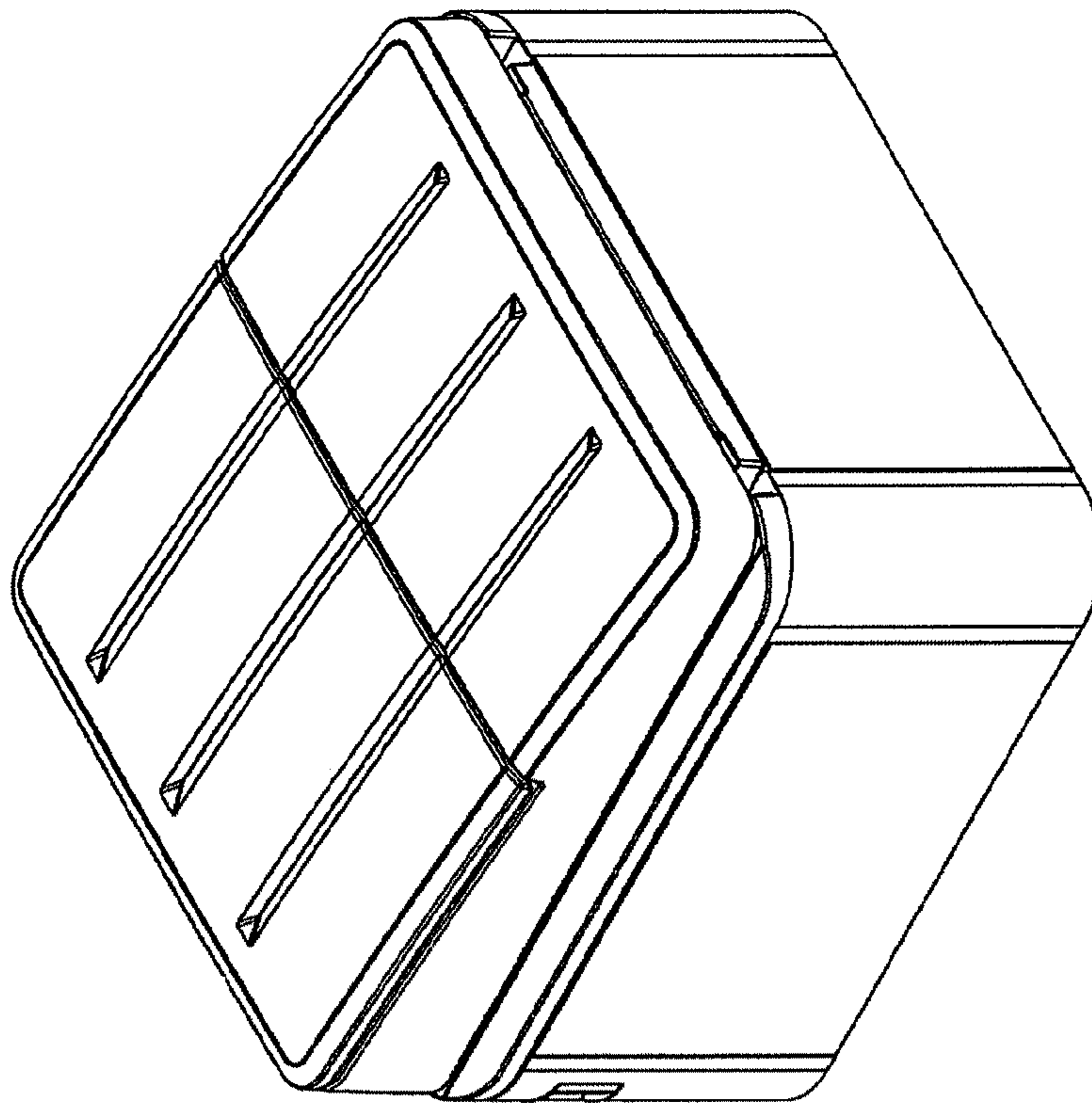


Figure 6