



US00D650140S

(12) **United States Design Patent**  
**Rossano et al.**

(10) **Patent No.:** **US D650,140 S**  
(45) **Date of Patent:** **\*\* Dec. 6, 2011**

(54) **LEAF EATER**

(75) Inventors: **Martin Rossano**, Montreal (CA); **Eric Quirion**, Prevost (CA)

(73) Assignee: **CPA Pool Products, Inc.**, Quebec (CA)

(\*\*) Term: **14 Years**

(21) Appl. No.: **29/365,250**

(22) Filed: **Jul. 7, 2010**

(51) **LOC (9) Cl.** ..... **15-05**

(52) **U.S. Cl.** ..... **D32/33**

(58) **Field of Classification Search** ..... D15/10;  
D32/17, 22, 31-33, 50, 51, 38-40, 45, 25,  
D32/49; 15/182, 179, 168, 228, 319, 403,  
15/209.1, 52, 1, 246.3, 320-322, 415.1-422.1,  
15/414, 412, 354, 362, 366, 374, 400, 327.1,  
15/329, 41.1, 42, 48, 171, 176.1, 159.1, 339,  
15/208, 372, 385, 115, 106; 401/138-139;  
68/222; 134/198, 105

See application file for complete search history.

(56) **References Cited**

**U.S. PATENT DOCUMENTS**

D238,139 S	*	12/1975	Goodrich	.....	D32/33
D257,255 S	*	10/1980	Robinson	.....	D32/33
D257,256 S	*	10/1980	Robinson	.....	D32/33
D333,539 S	*	2/1993	Kramer et al.	.....	D32/32

D352,809 S	*	11/1994	Reath	.....	D32/33
5,469,596 A	*	11/1995	Rief et al.	.....	15/1.7
5,799,351 A	*	9/1998	Rief et al.	.....	15/1.7
D401,023 S	*	11/1998	Sebor et al.	.....	D32/33
D402,776 S	*	12/1998	Carlson	.....	D32/50
D455,242 S	*	4/2002	Dyson et al.	.....	D32/33
D483,536 S	*	12/2003	Martin	.....	D32/33
D487,947 S	*	3/2004	Pecci et al.	.....	D32/32
D490,950 S	*	6/2004	Pecci et al.	.....	D32/32
D511,231 S	*	11/2005	Langham et al.	.....	D32/33
D520,195 S	*	5/2006	Carr et al.	.....	D32/33
D612,116 S	*	3/2010	Nicholas	.....	D32/33
D618,873 S	*	6/2010	Ayers	.....	D32/33
D621,567 S	*	8/2010	Crawley	.....	D32/33
D629,982 S	*	12/2010	Rossano et al.	.....	D32/33

\* cited by examiner

*Primary Examiner* — Mark Goodwin

(74) *Attorney, Agent, or Firm* — Baker & Rannells, PA

(57) **CLAIM**

We claim the ornamental design for a leaf eater, as shown and described.

**DESCRIPTION**

FIG. 1 is a perspective view of a leaf eater, showing our new design;

FIG. 2 is a front elevational view thereof;

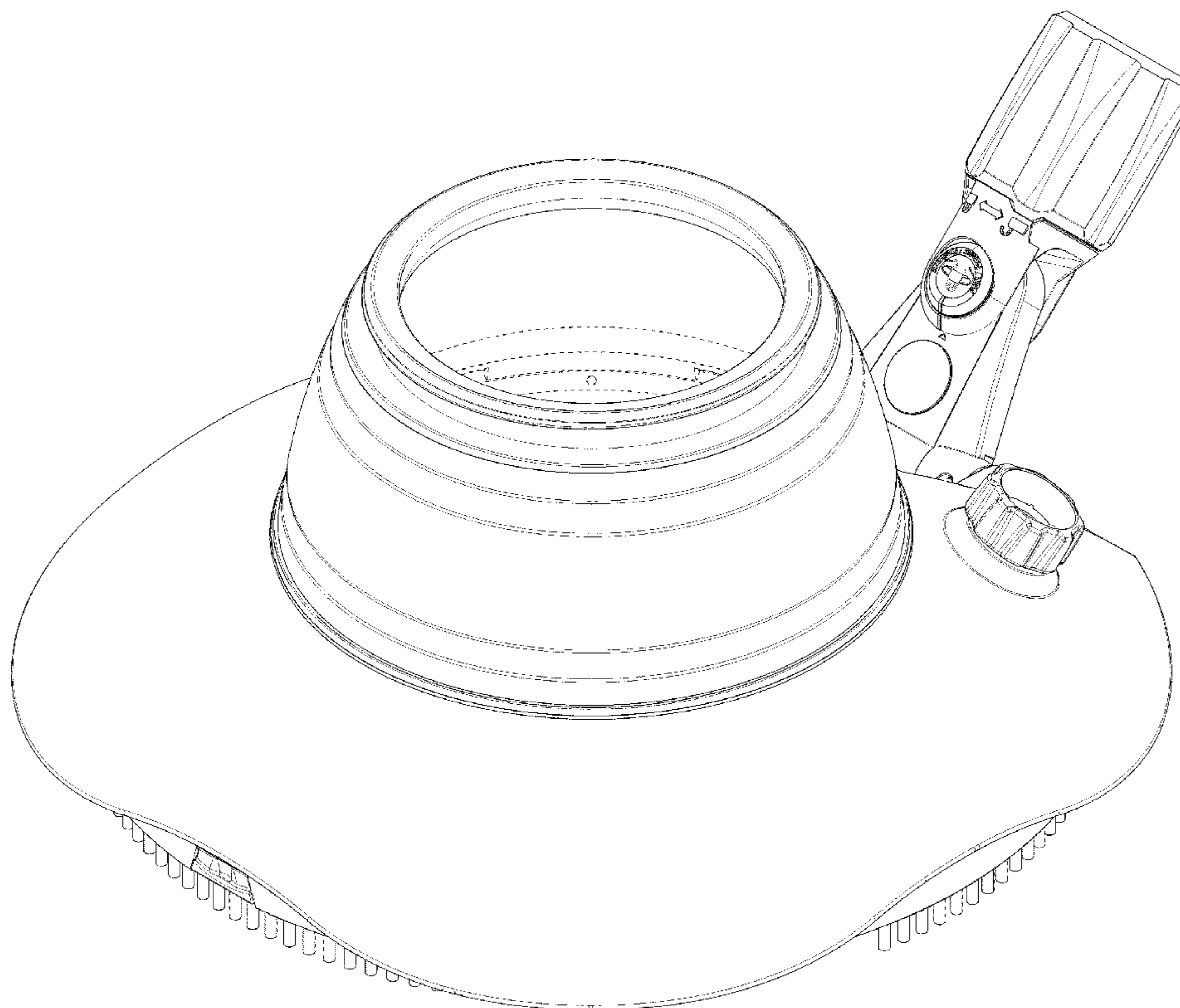
FIG. 3 is a rear elevational view thereof;

FIG. 4 is a left side elevational view thereof;

FIG. 5 is a right side elevational view thereof; and,

FIG. 6 is a top plan view thereof.

**1 Claim, 6 Drawing Sheets**



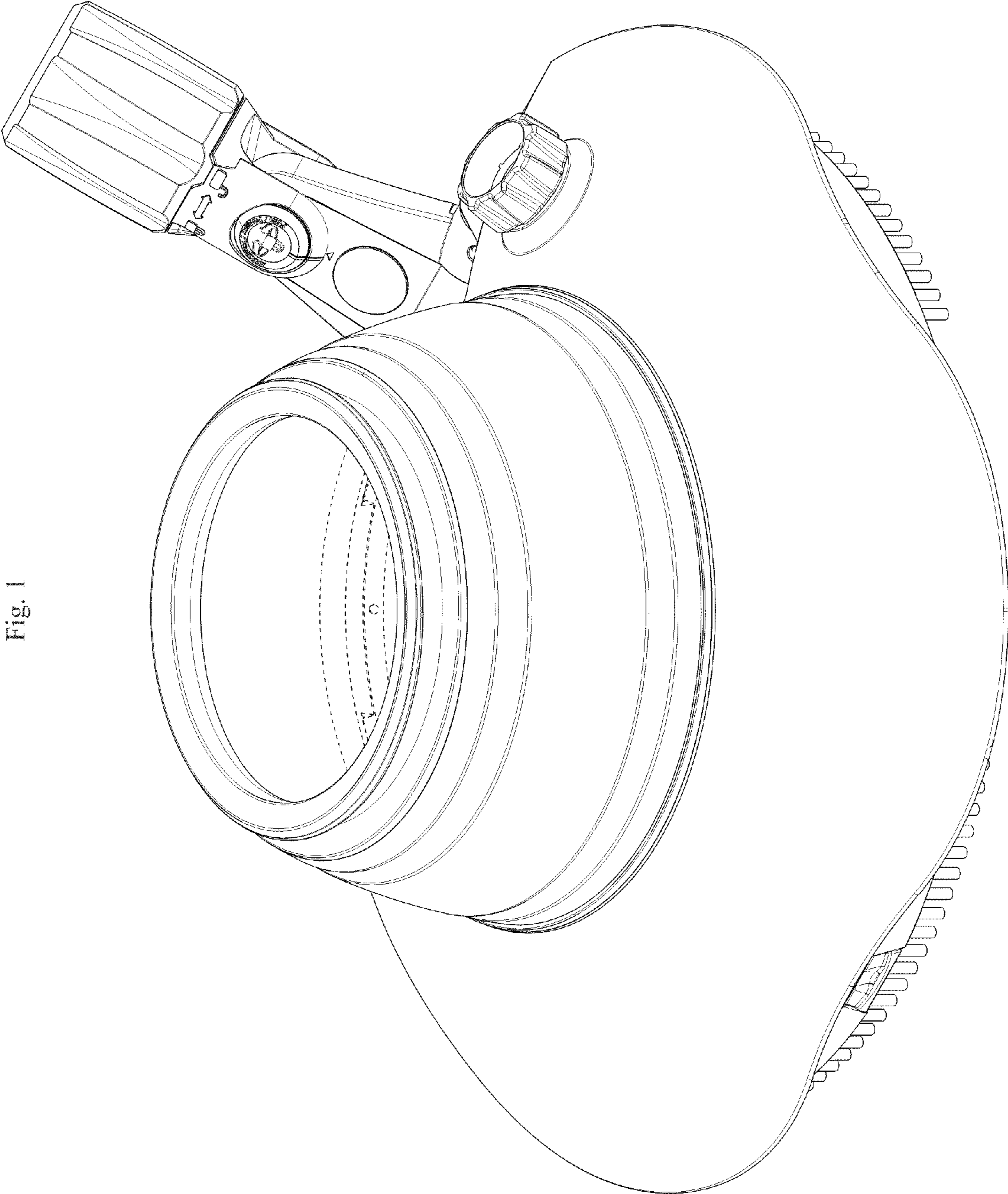


Fig. 1

Fig. 2

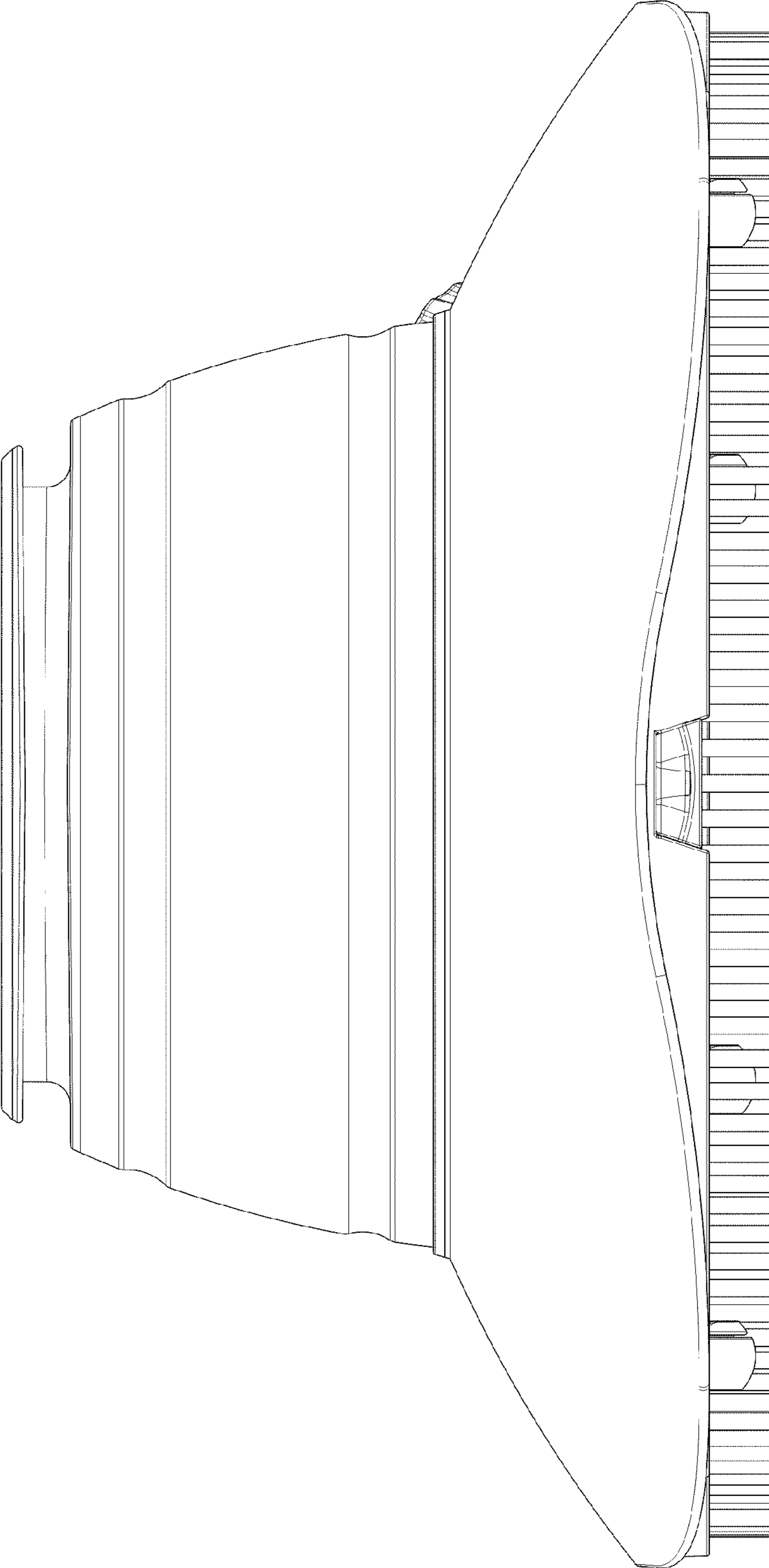


Fig. 3

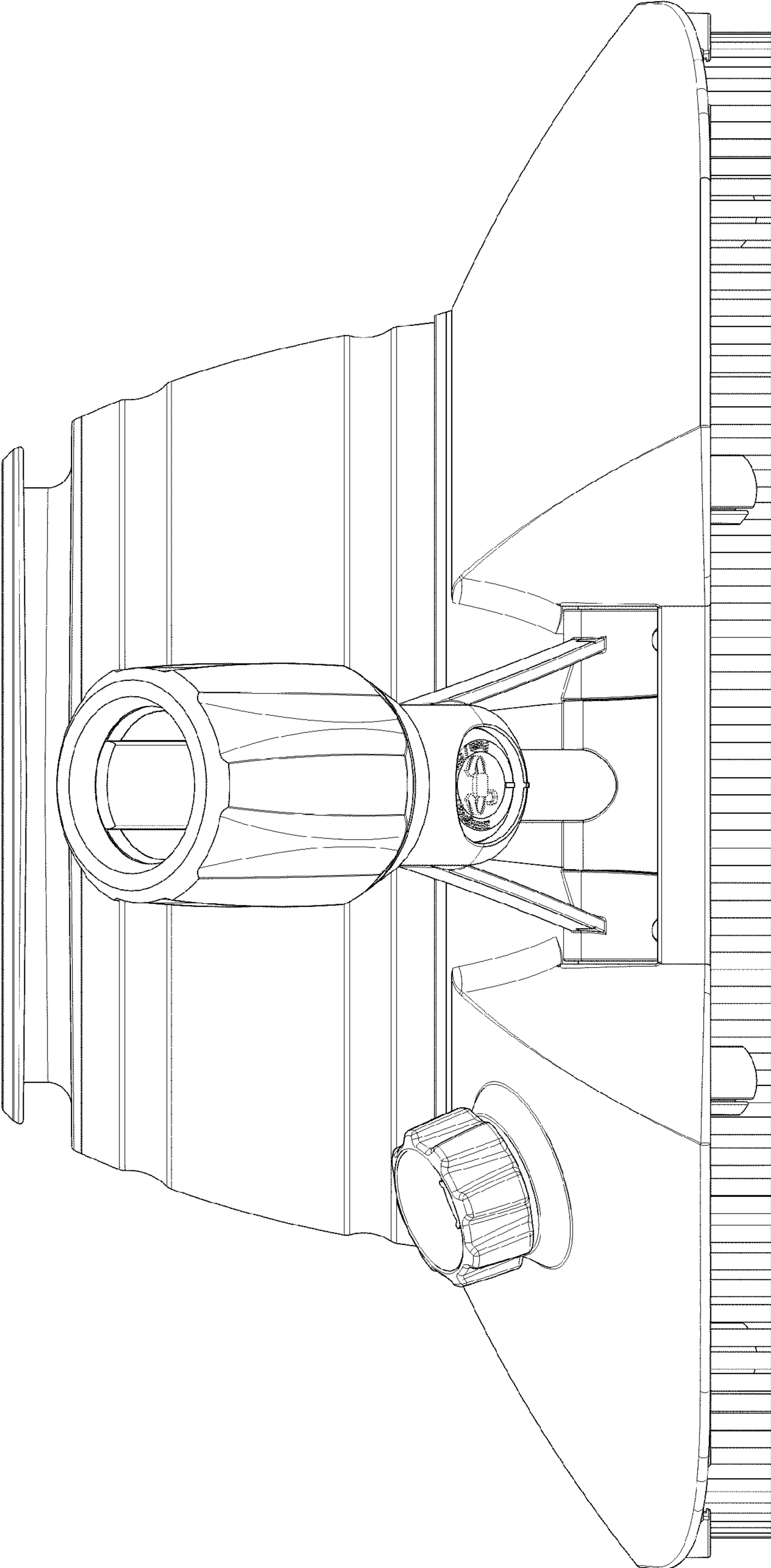


Fig. 4

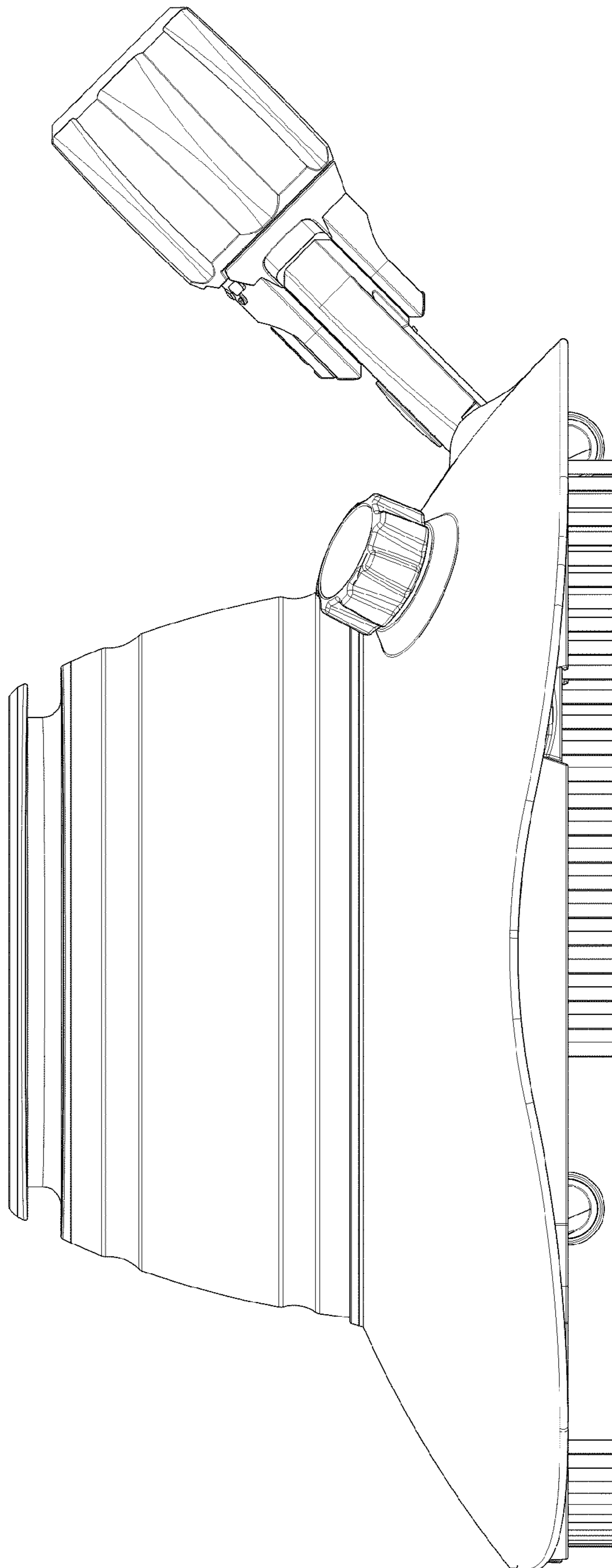


Fig. 5

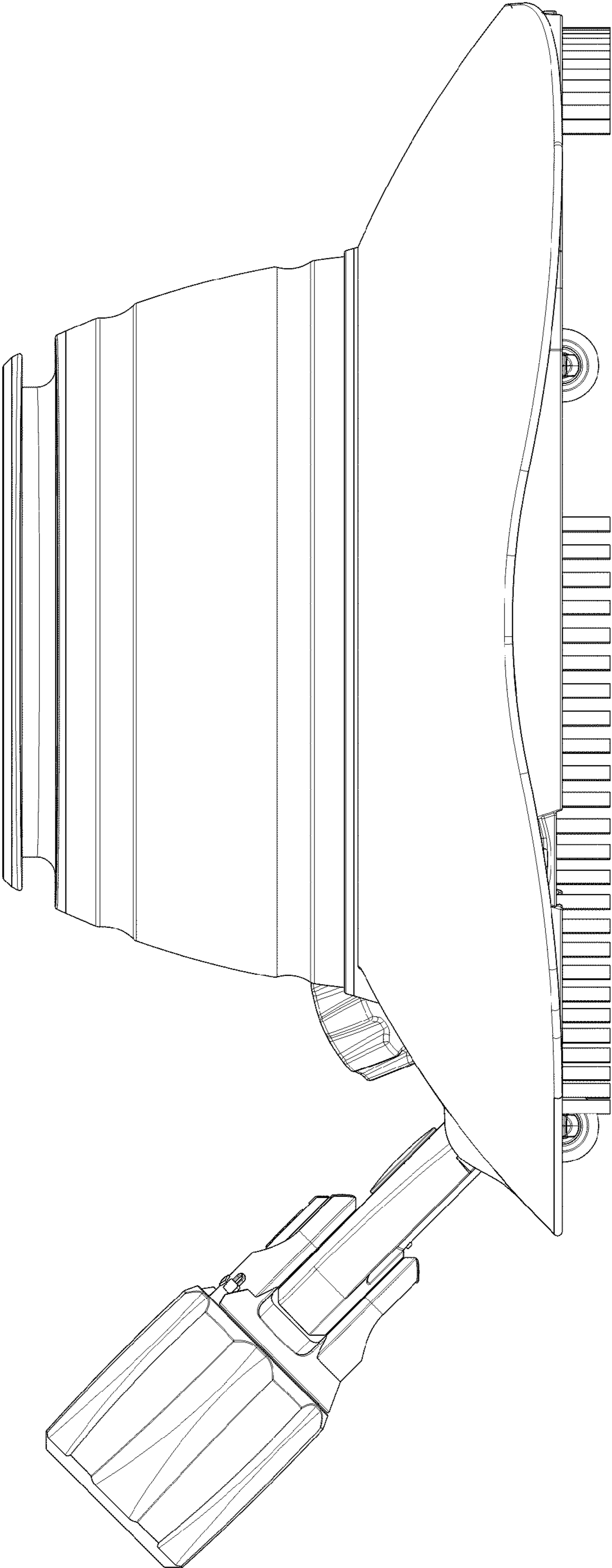


Fig. 6

