



US00D650138S

(12) **United States Design Patent**
Lavy

(10) **Patent No.:** **US D650,138 S**

(45) **Date of Patent:** **** Dec. 6, 2011**

(54) **STEAMER ATTACHMENT**

(76) Inventor: **Danny Lavy**, Westmont (CA)

(**) Term: **14 Years**

(21) Appl. No.: **29/375,761**

(22) Filed: **Sep. 27, 2010**

(51) **LOC (9) Cl.** **15-05**

(52) **U.S. Cl.** **D32/25**

(58) **Field of Classification Search** D32/1,
D32/15, 17, 18, 21, 25, 31-33, 35, 40; D28/21;
15/209.1, 398, 403, 147, 2, 320-322, 228,
15/229.3, 229.4, 229.5, 415.1, 104.94, 420,
15/344, 229.1-229.9, 147.1, 146, 244.1,
15/244.3, 210.1, 160; 68/1, 5 A, 5 R, 222;
239/587.1; 134/19, 105; 417/92, 101
See application file for complete search history.

(56) **References Cited**

U.S. PATENT DOCUMENTS

1,195,190	A *	8/1916	Dunlap	15/226
2,262,888	A *	11/1941	Dodge	15/147.2
D198,742	S *	7/1964	Bennett	D32/51
5,575,032	A *	11/1996	Cernuska	15/119.2
D419,272	S *	1/2000	Nordstrom	D32/25
D419,732	S *	1/2000	Nordstrom	D32/25
D425,678	S *	5/2000	Hull et al.	D32/35
6,247,199	B1 *	6/2001	Petner	15/229.1
6,813,801	B2 *	11/2004	Tanaka et al.	15/229.3

6,968,591	B2 *	11/2005	Tanaka	15/229.1
7,302,729	B2 *	12/2007	Tanaka et al.	15/229.3
7,302,730	B2 *	12/2007	Tanaka et al.	15/229.3
7,310,850	B2 *	12/2007	Ge	15/210.1
7,334,287	B2 *	2/2008	Tanaka et al.	15/229.3
D585,166	S *	1/2009	Strutt et al.	D32/25
7,786,030	B2 *	8/2010	Tsuchiya	442/123
D623,810	S *	9/2010	Breit	D32/25
D625,061	S *	10/2010	Vrdoljak	D32/25
7,937,797	B2 *	5/2011	Tsuchiya et al.	15/229.3

* cited by examiner

Primary Examiner — Elizabeth J Oswecki

(74) *Attorney, Agent, or Firm* — Husch Blackwell LLP

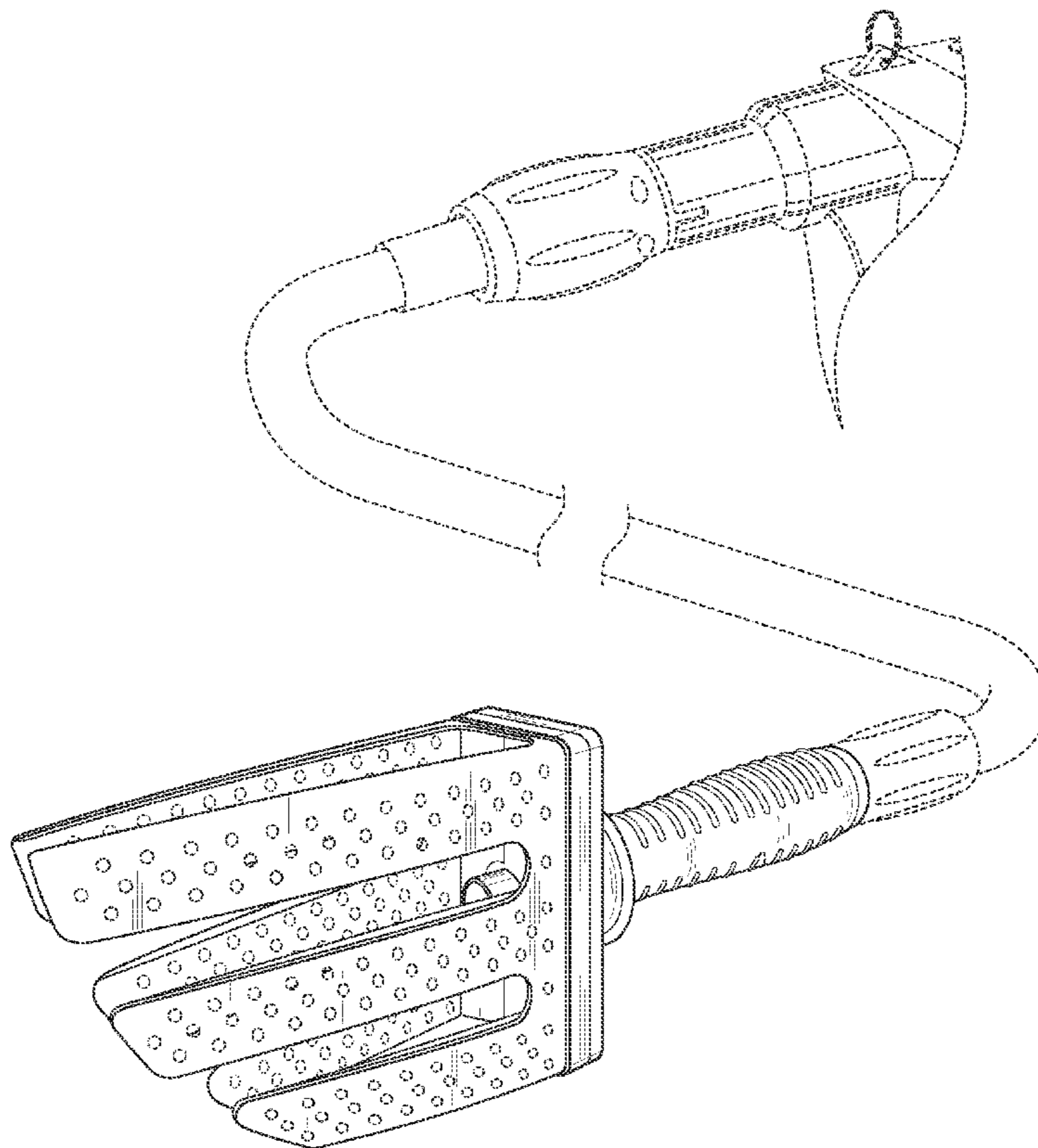
(57) **CLAIM**

The ornamental design for a steamer attachment, as shown and described.

DESCRIPTION

FIG. 1 is a perspective view of a steamer attachment showing my new design;
FIG. 2 is a first side elevational view of the steamer attachment;
FIG. 3 is a second side elevational view of the steamer attachment;
FIG. 4 is a front elevational view of the steamer attachment;
FIG. 5 is a rear elevational view of the steamer attachment;
FIG. 6 is a top plan view of the steamer attachment; and,
FIG. 7 is a bottom plan view of the steamer attachment.
In the drawings, the broken lines in FIGS. 1-5 and 7 depict portions of the design that form no part of the claim.

1 Claim, 4 Drawing Sheets



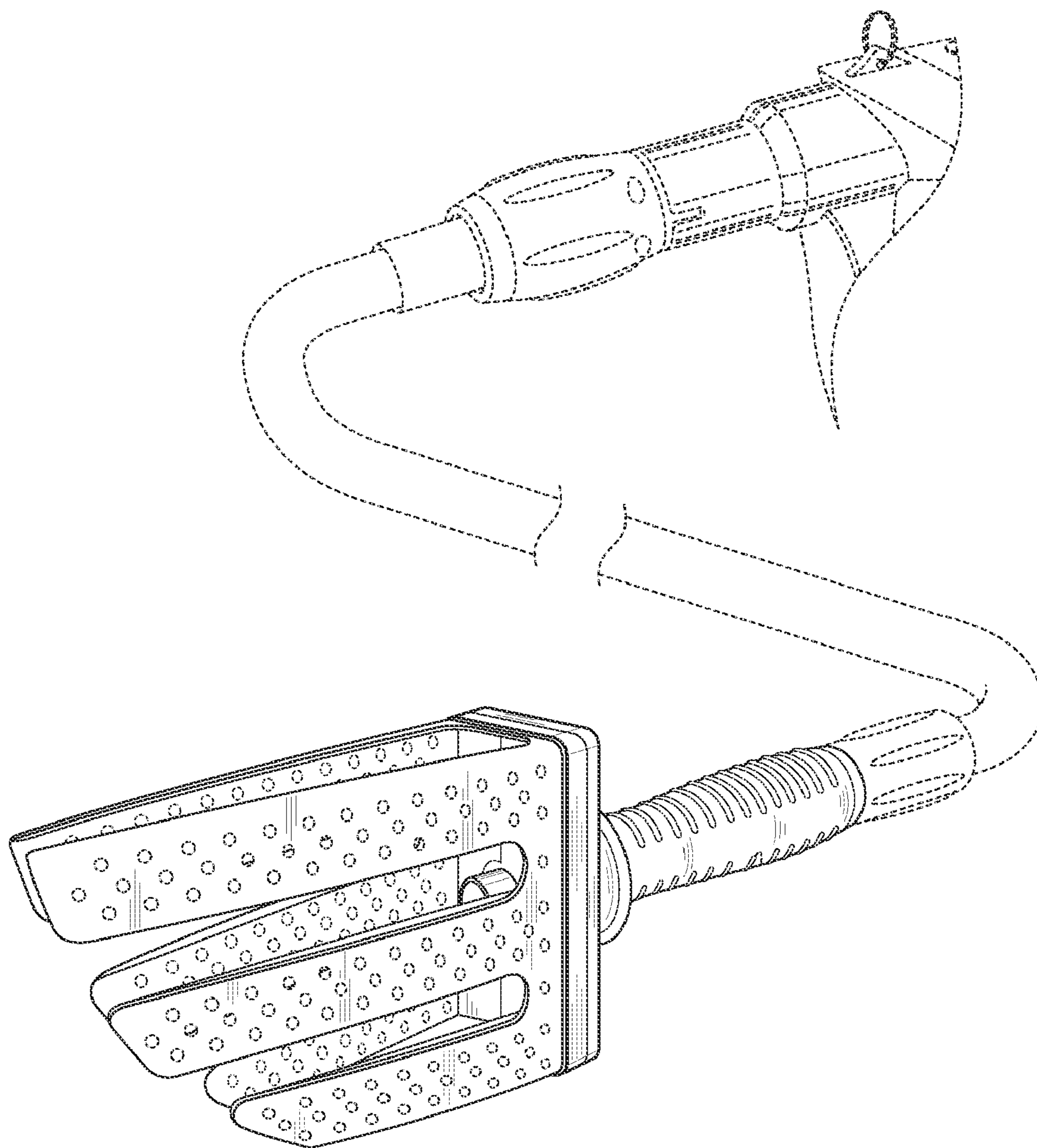


FIG. 1

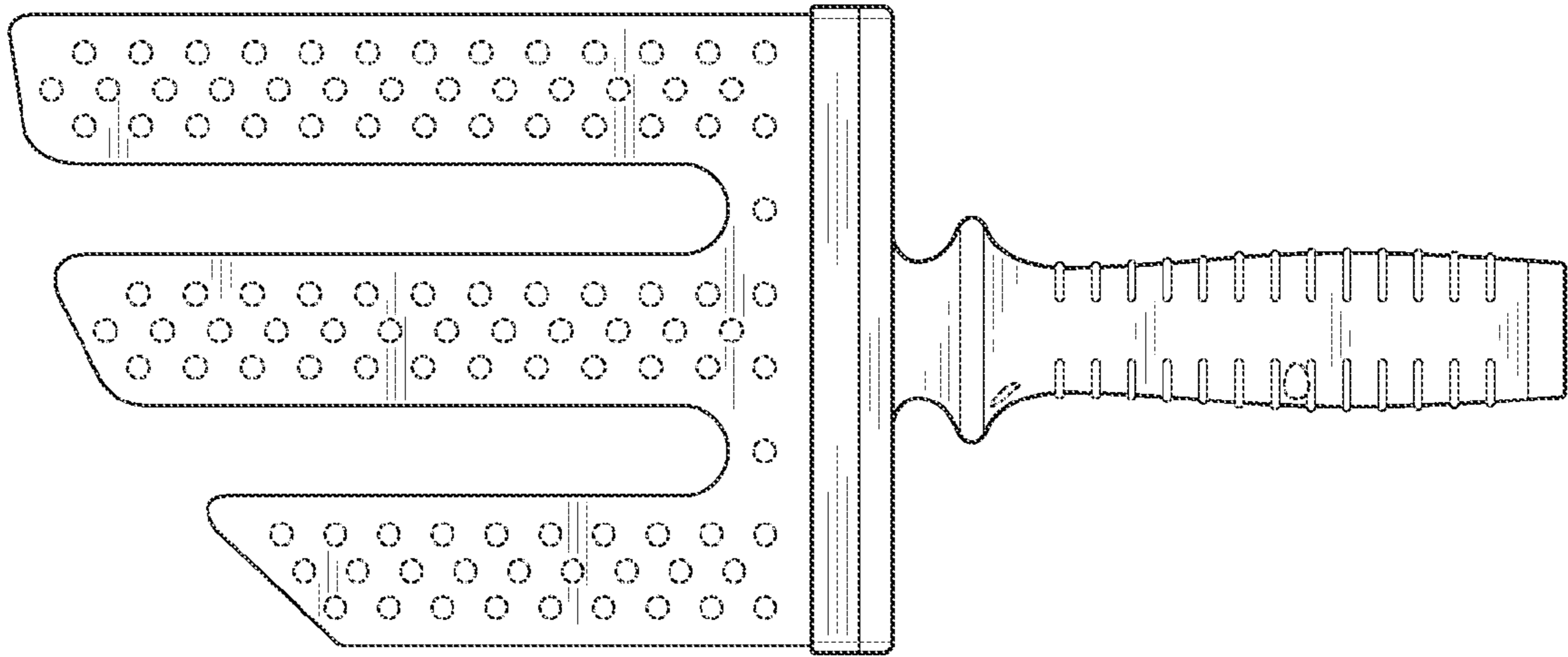


FIG. 2

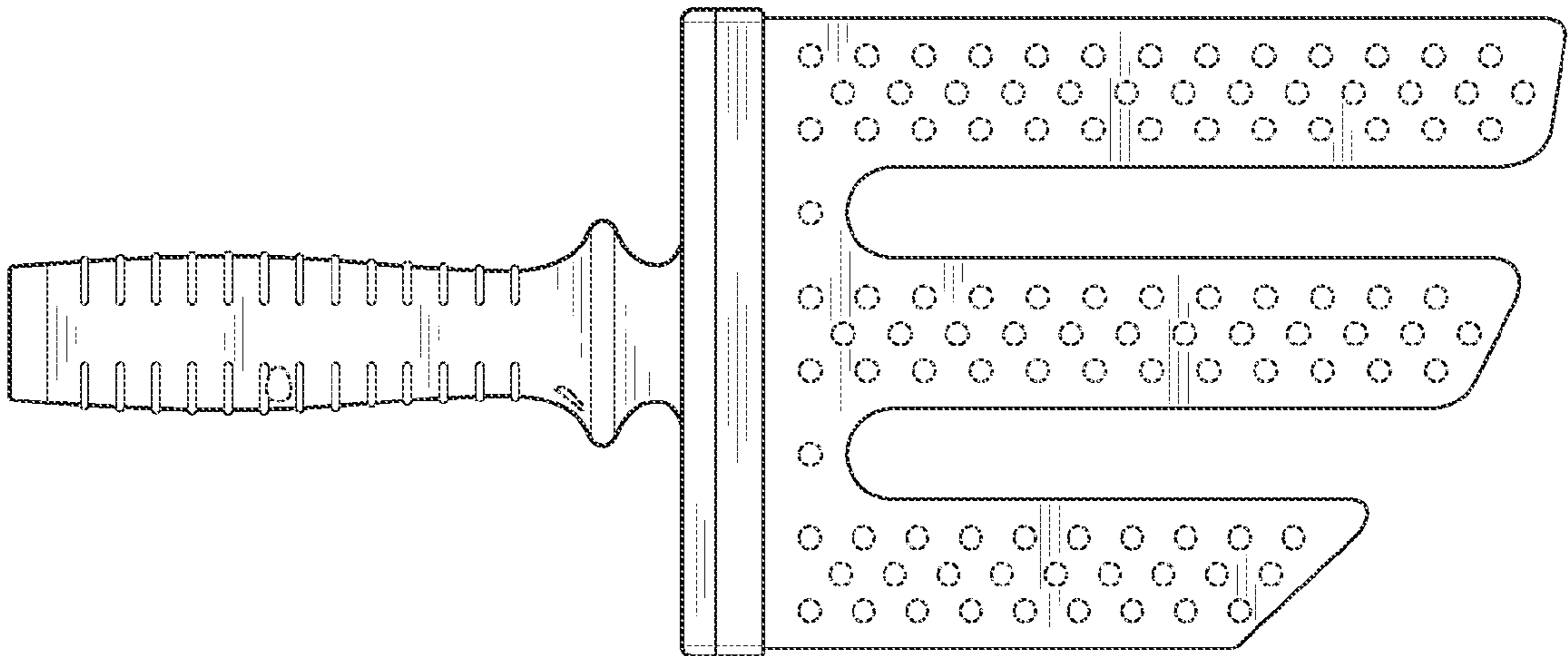


FIG. 3

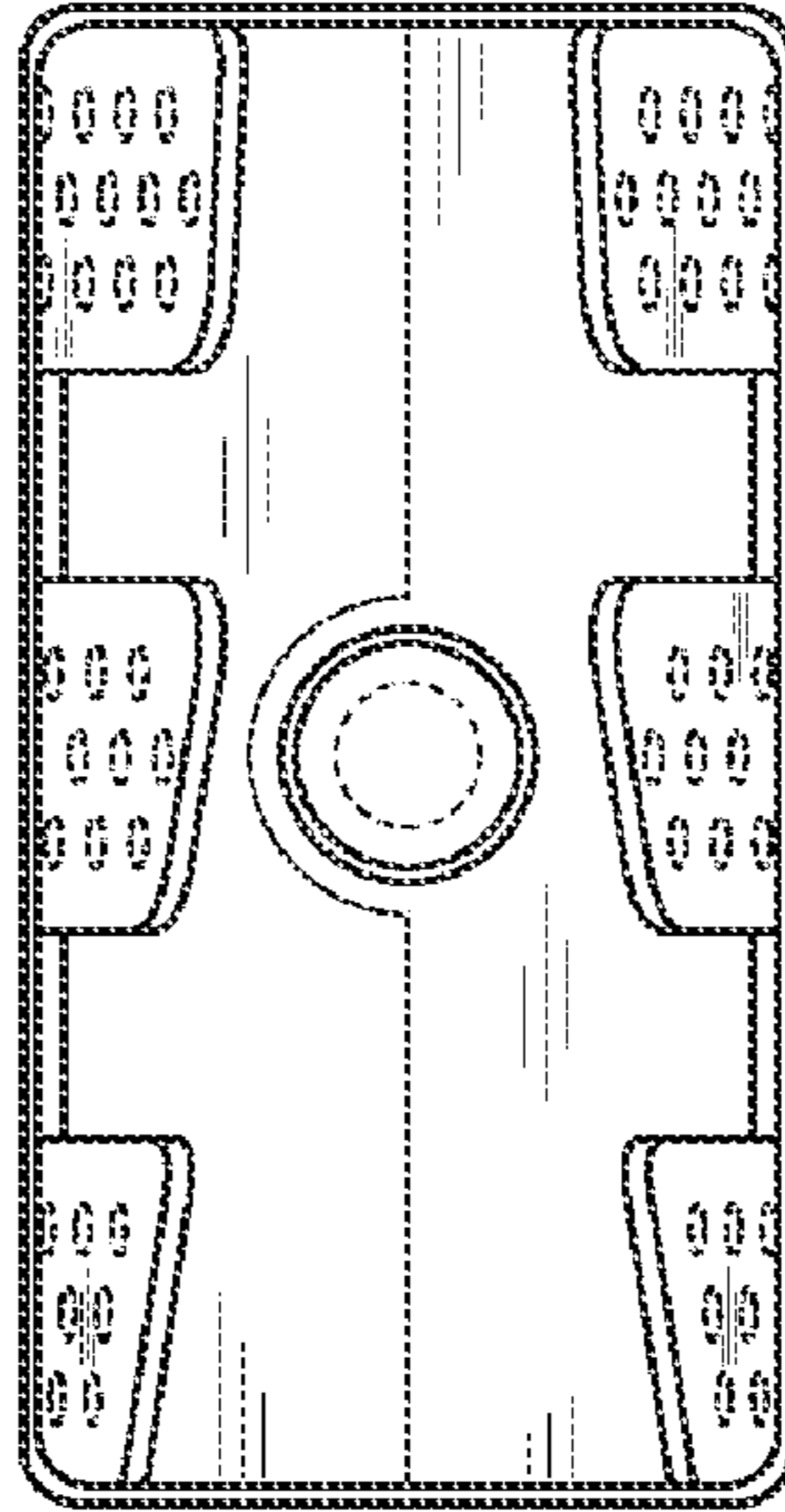


FIG. 4

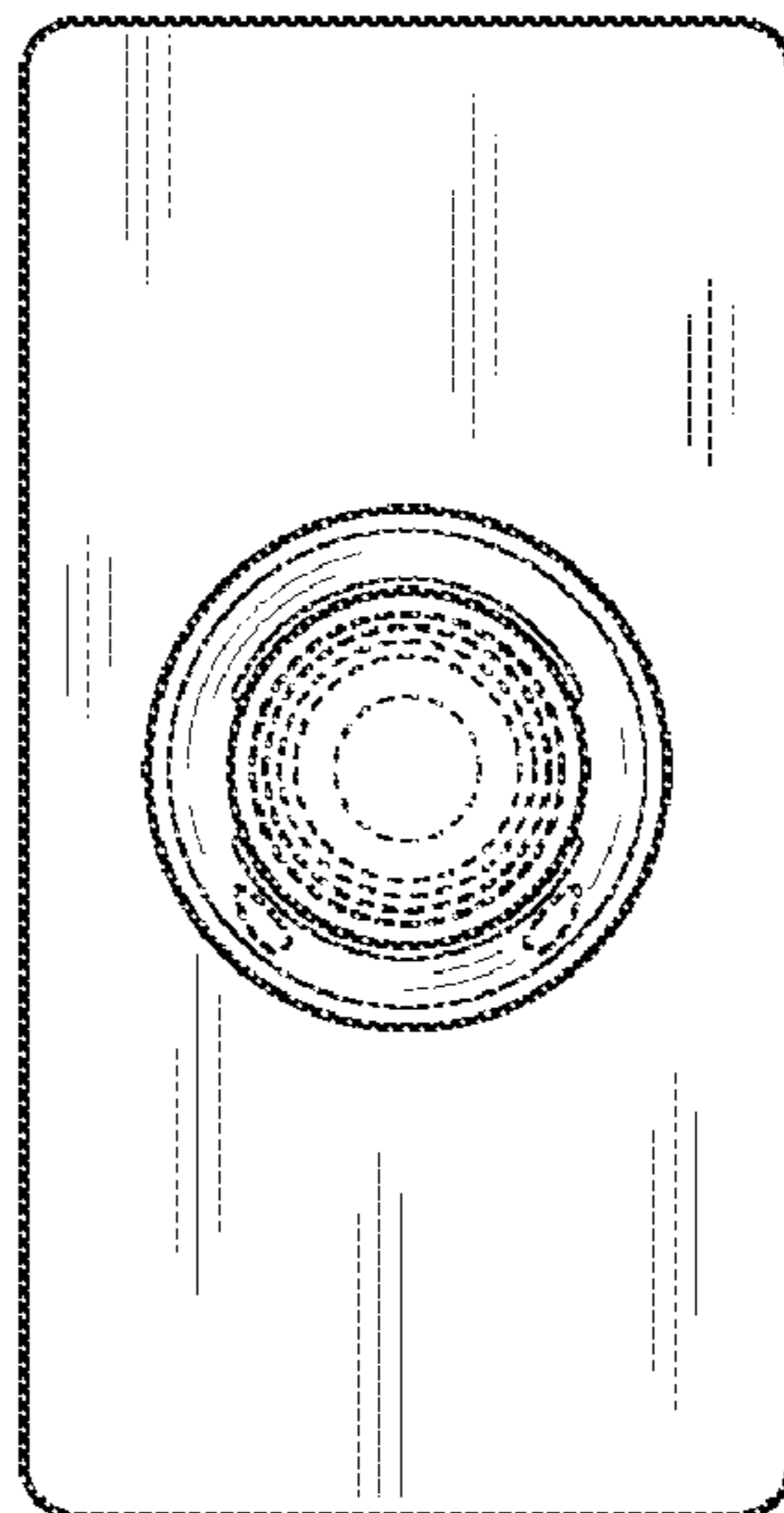


FIG. 5

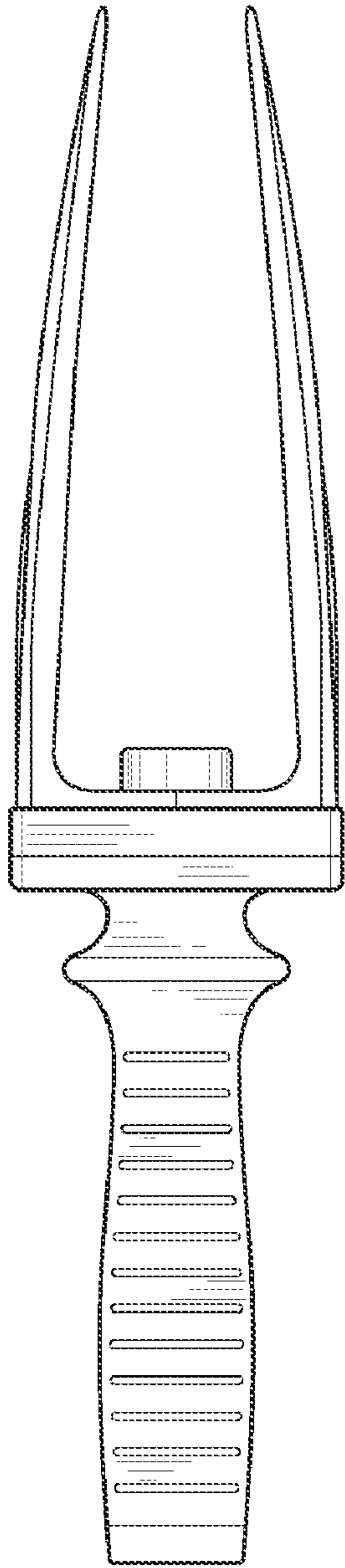


FIG. 6

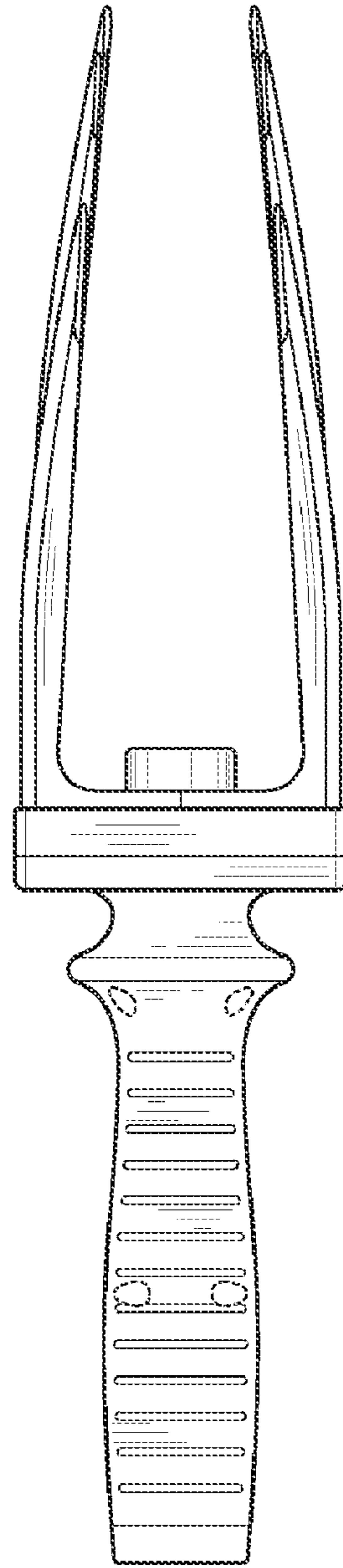


FIG. 7