



US00D650135S

(12) **United States Design Patent**
Ghion

(10) **Patent No.:** **US D650,135 S**

(45) **Date of Patent:** **** Dec. 6, 2011**

(54) **RESCUE GRIPPER**

(76) **Inventor:** **Mark Ghion**, Sutersville, PA (US)

(**) **Term:** **14 Years**

(21) **Appl. No.:** **29/387,078**

(22) **Filed:** **Mar. 9, 2011**

(51) **LOC (9) Cl.** **29-02**

(52) **U.S. Cl.** **D29/124**

(58) **Field of Classification Search** D29/124;
D8/1, 4, 14, 21-29, 51-58, 60, 105-107;
56/367; 211/30, 31, 34, 35, 86, 87, 113;
248/227.4, 303, 339; D6/320, 323, 566,
D6/567, 569; D24/133, 148, 153; D22/149,
D22/150, 199; 81/300, 318, 324, 326, 385,
81/393, 407, 415-418, 420, 424.5, 426, 426.5,
81/427, 427.5

See application file for complete search history.

(56) **References Cited**

U.S. PATENT DOCUMENTS

4,098,533	A	7/1978	Hanlon, Jr.	
4,221,419	A	9/1980	Riley et al.	
4,371,203	A	2/1983	Munro	
4,740,024	A *	4/1988	Hultquist	294/116
4,767,091	A	8/1988	Cuny	
4,799,639	A *	1/1989	Riley	248/228.4

4,869,540	A	9/1989	Faul	
5,050,921	A	9/1991	Hultquist	
5,294,162	A *	3/1994	Grimes	294/110.1
5,628,235	A *	5/1997	Kambara	81/90.2
5,636,819	A	6/1997	Kettlestrings	
5,865,072	A *	2/1999	Jerdee	81/9.3
6,175,998	B1 *	1/2001	Leo	29/268
6,244,568	B1 *	6/2001	Patton	254/93 R
D611,791	S *	3/2010	Brands	D8/52
2006/0061112	A1 *	3/2006	Schon	294/101
2010/0186558	A1 *	7/2010	Hile	81/370

* cited by examiner

Primary Examiner — Raphael Barkai

Assistant Examiner — Randall H Gholson

(74) *Attorney, Agent, or Firm* — McKay & Associates, P.C.

(57) **CLAIM**

The ornamental design for a rescue gripper, as shown.

DESCRIPTION

FIG. 1 is a front elevation view of a rescue gripper showing my new design;

FIG. 2 is a rear elevation view thereof;

FIG. 3 is a top view thereof;

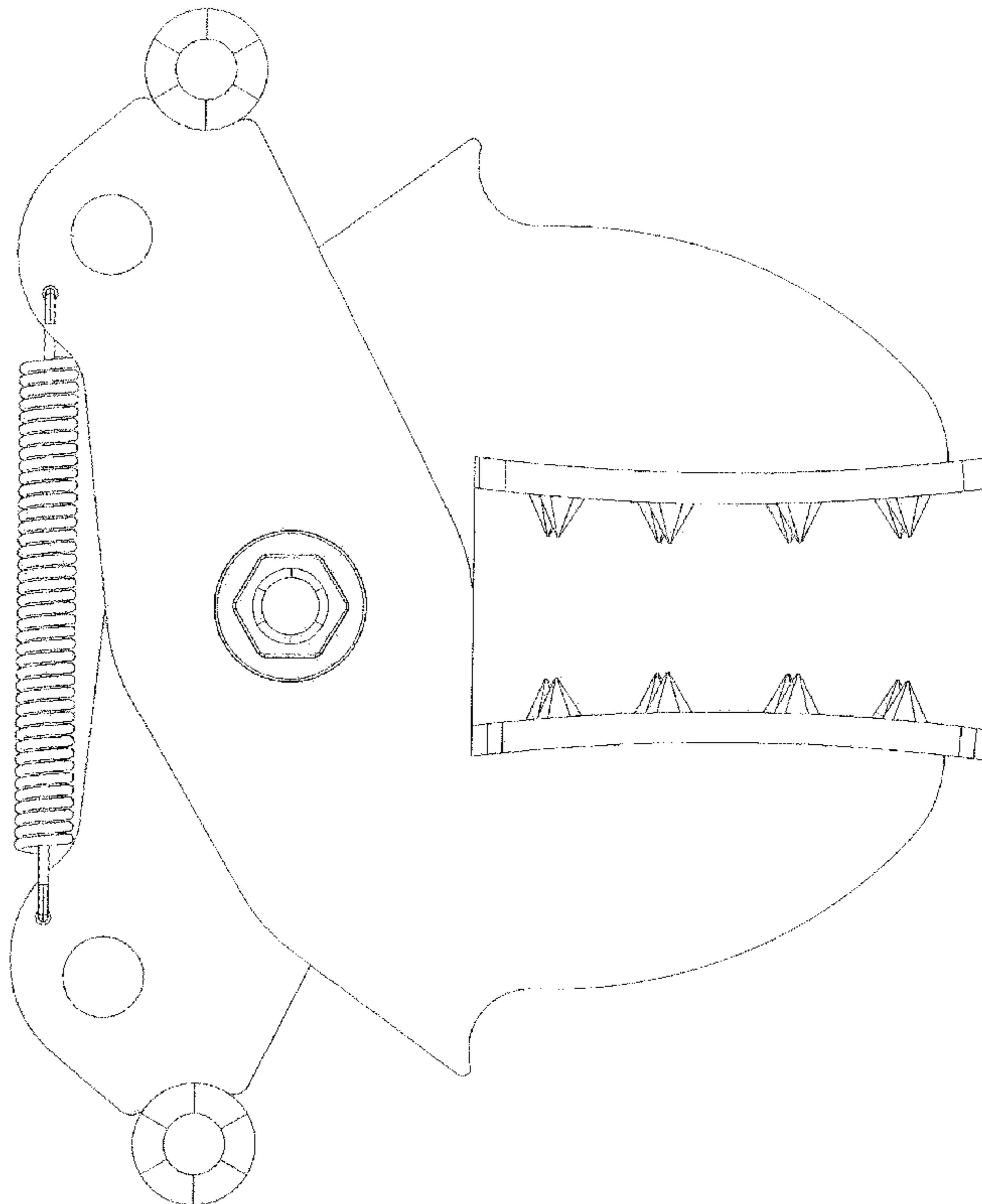
FIG. 4 is a bottom view thereof;

FIG. 5 is a left side elevation view thereof;

FIG. 6 is a right side elevation view thereof; and,

FIG. 7 is a perspective view thereof.

1 Claim, 7 Drawing Sheets



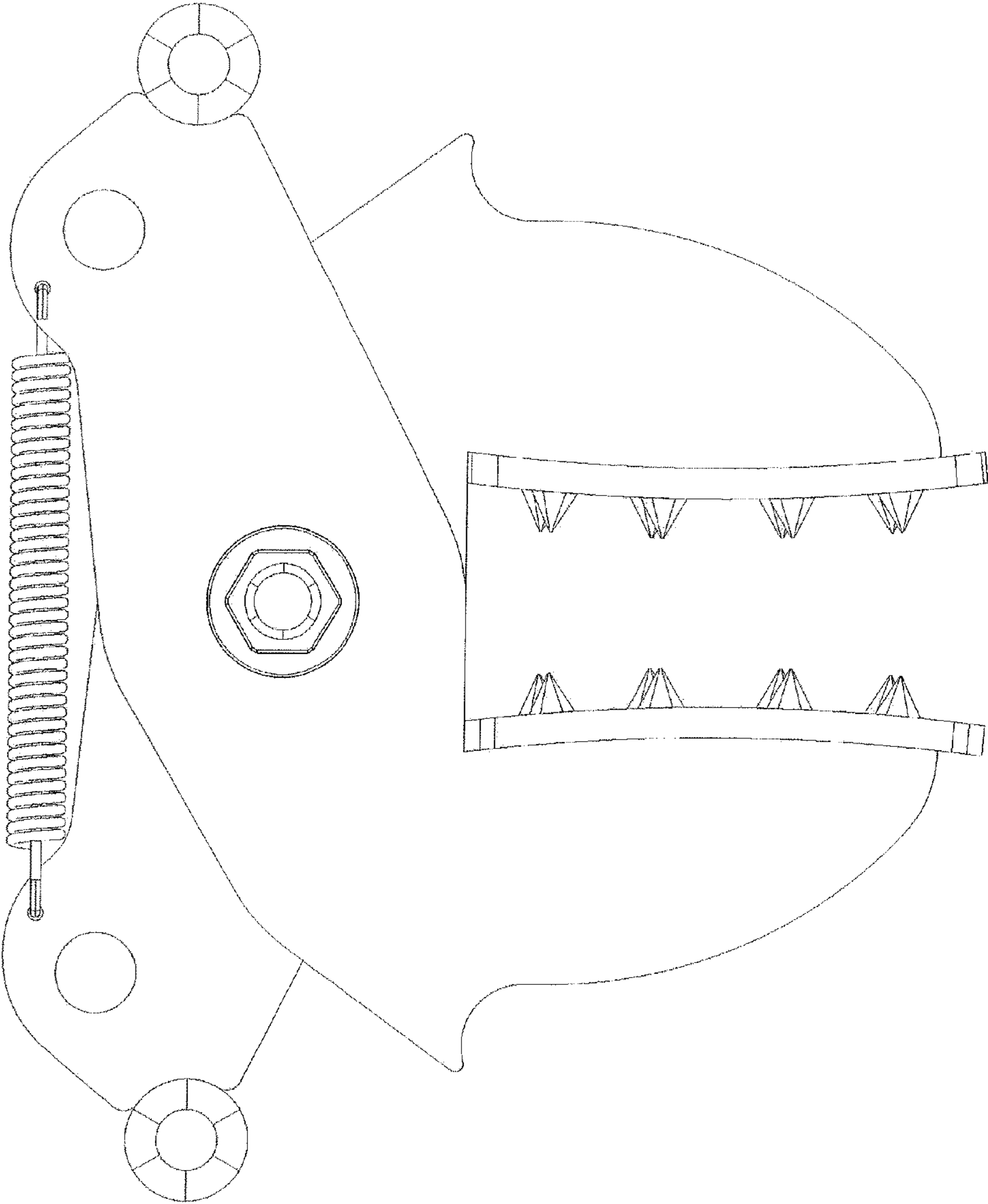


FIG. 1

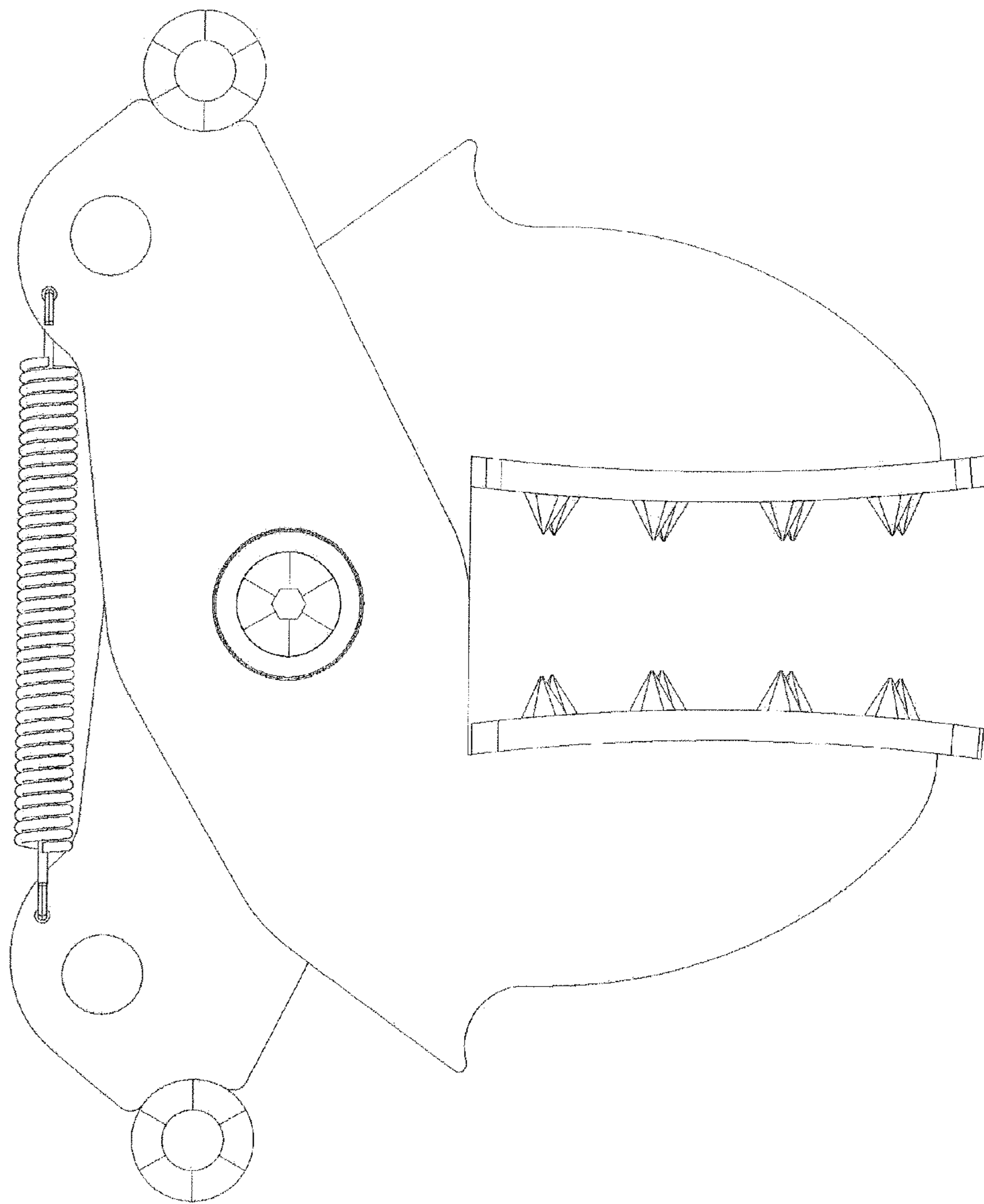


FIG. 2

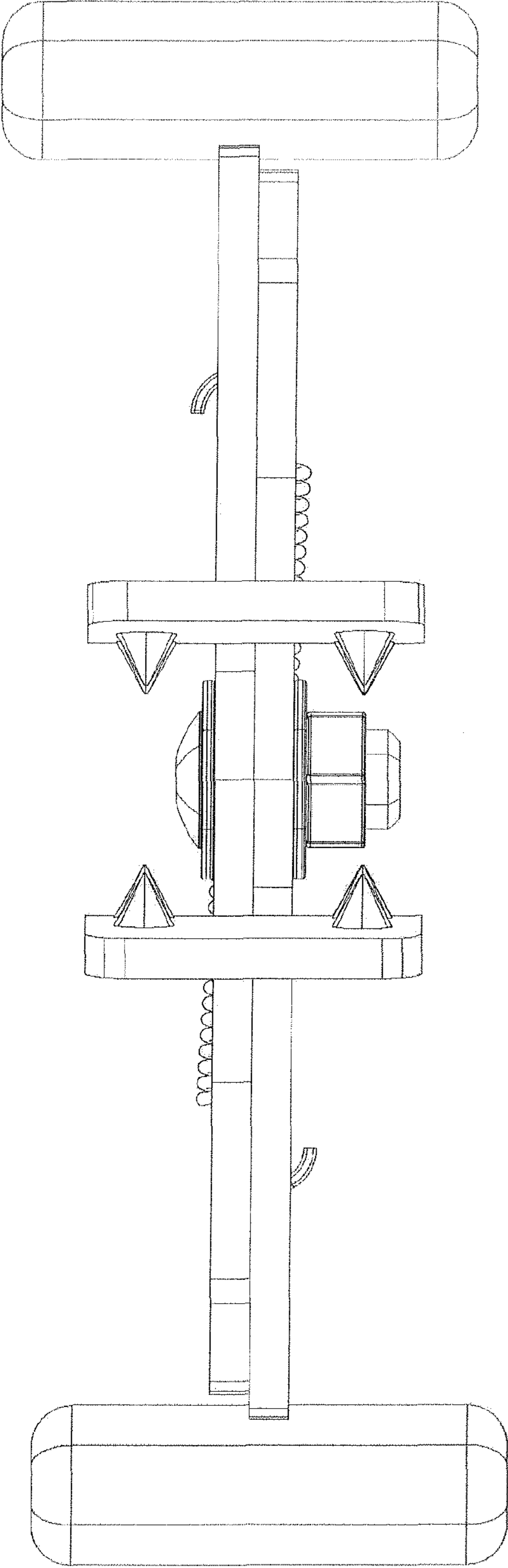


FIG. 3

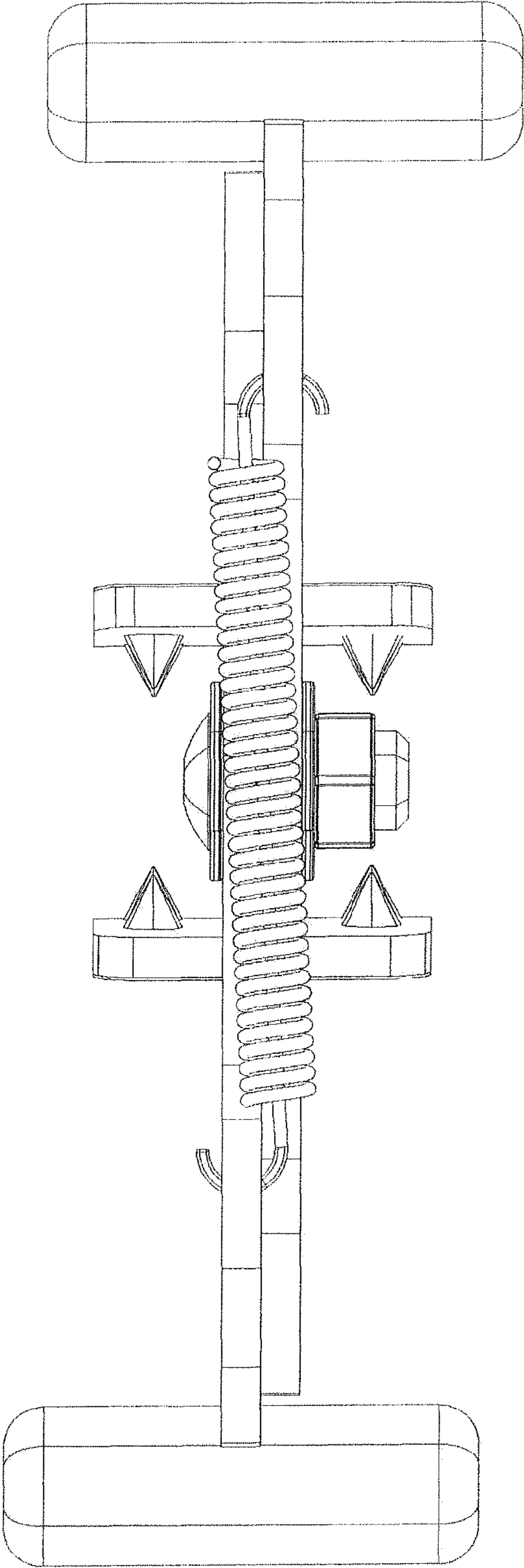


FIG. 4

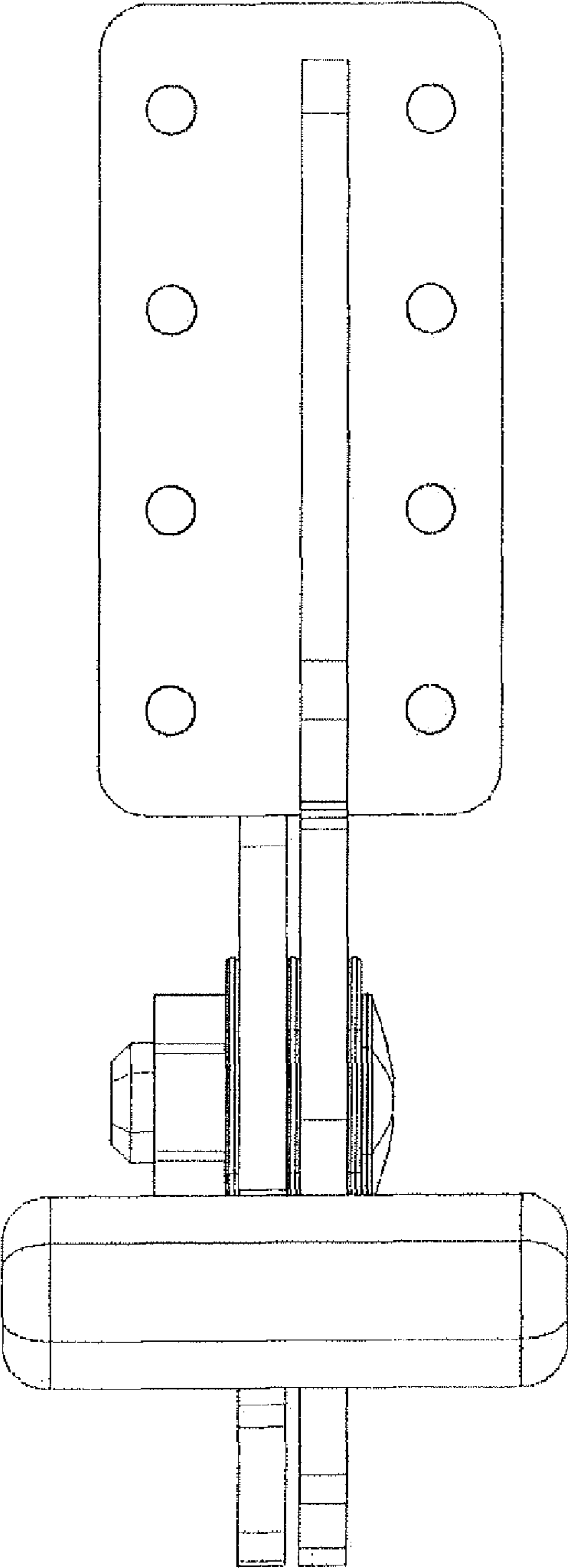


FIG. 5

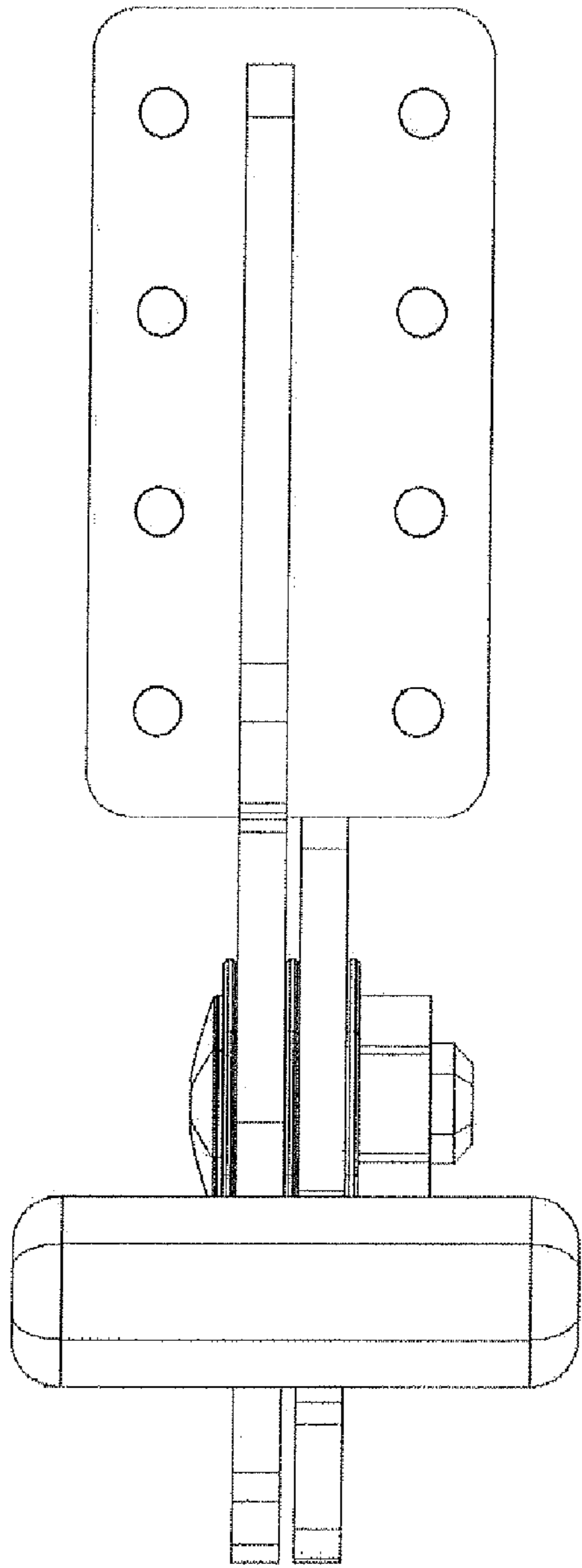


FIG. 6

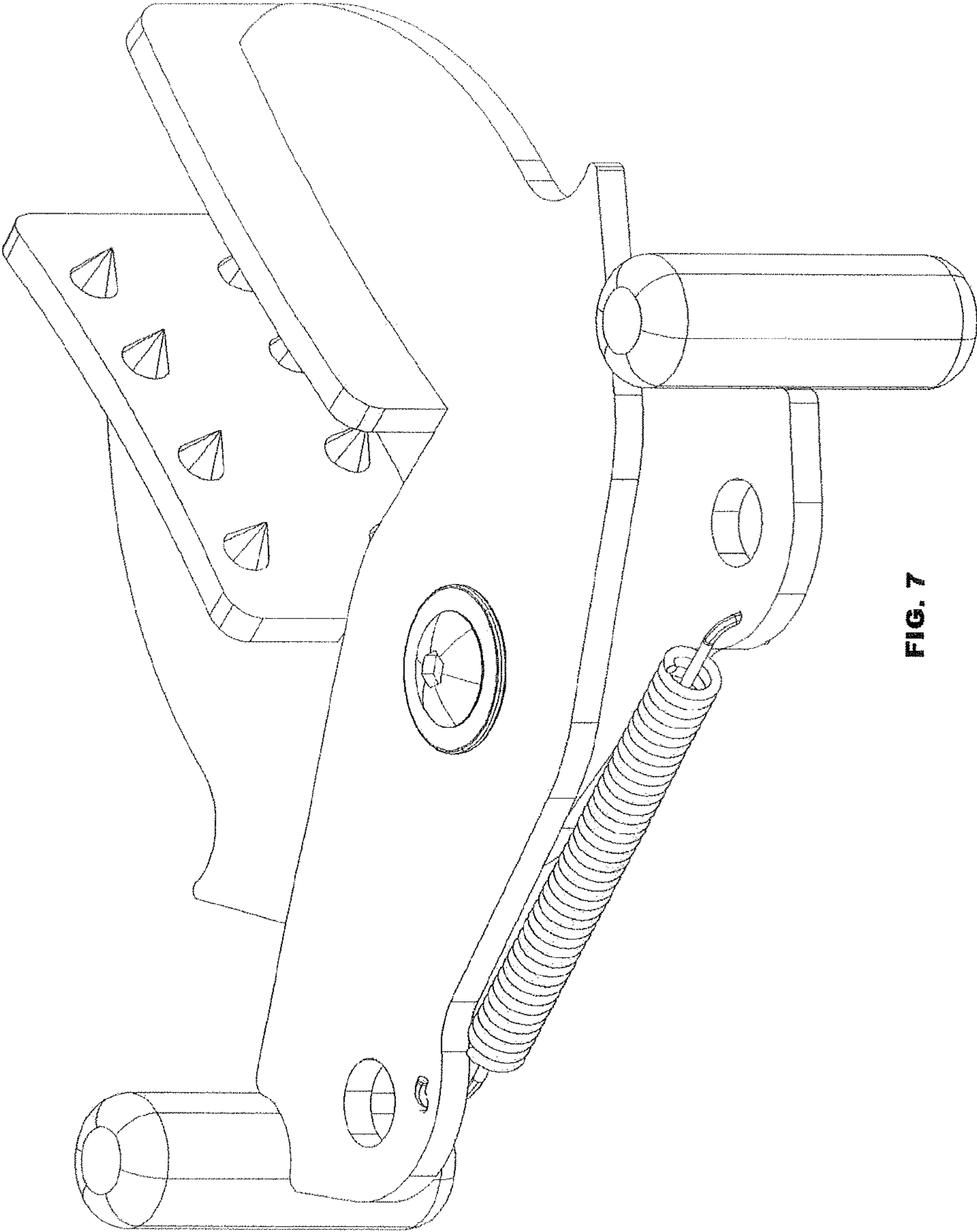


FIG. 7