



US00D650134S

(12) **United States Design Patent**
Scarberry et al.

(10) **Patent No.:** **US D650,134 S**

(45) **Date of Patent:** **** Dec. 6, 2011**

(54) **STRAP FOR FACE MASK**

(75) Inventors: **Eugene Nelson Scarberry**, Trafford, PA (US); **Charlotte Rene Plakosh-Hankey**, Kittanning, PA (US)

(73) Assignee: **Koninklijke Philips Electronics N.V.**, Eindhoven (NL)

(**) Term: **14 Years**

(21) Appl. No.: **29/360,890**

(22) Filed: **May 3, 2010**

(51) **LOC (9) Cl.** **29-02**

(52) **U.S. Cl.** **D29/122**

(58) **Field of Classification Search** D29/100,
D29/101.1, 102-108, 112, 122; D2/865,
D2/881, 891, 894; 2/6.2, 10, 11, 15, 172,
2/205, 206, 455, 456, 410-425; 128/857,
128/858, 876

See application file for complete search history.

(56) **References Cited**

U.S. PATENT DOCUMENTS

1,990,411	A *	2/1935	Lowry	128/848
2,616,081	A *	11/1952	Weaver et al.	2/9
3,063,718	A *	11/1962	Steinkamp	473/502
3,118,443	A *	1/1964	Dykinga	602/17
D224,282	S *	7/1972	Candela	D29/108
4,502,476	A *	3/1985	Welt	128/858
D293,840	S *	1/1988	Parrish	D29/108
D330,271	S *	10/1992	Samples	D29/101.1
5,301,371	A *	4/1994	Chao	2/102
5,361,416	A *	11/1994	Petrie et al.	2/171.2
D354,160	S *	1/1995	Shaffer	D2/894
D363,547	S *	10/1995	Huber	D24/191
D376,677	S *	12/1996	Boysen	D29/123
5,685,020	A *	11/1997	Powell et al.	2/421
5,785,058	A *	7/1998	Reynolds	128/869

D407,860	S *	4/1999	Cox et al.	D29/122
6,119,693	A *	9/2000	Kwok et al.	128/207.11
D433,127	S *	10/2000	Gazzara	D24/110.1
D446,609	S *	8/2001	Hill	D29/112
6,422,238	B1 *	7/2002	Lithgow	128/207.11
6,481,024	B1 *	11/2002	Grant	2/421
6,494,207	B1 *	12/2002	Kwok	128/207.11
D503,499	S *	3/2005	Howard et al.	D29/122
6,871,360	B1 *	3/2005	Ashline	2/468
D532,511	S *	11/2006	Amarasinghe	D24/110
D537,573	S *	2/2007	Trainor et al.	D29/122
D550,834	S *	9/2007	Samaras	D24/110
D550,849	S *	9/2007	Baker	D24/191
D561,332	S *	2/2008	Amarasinghe et al.	...	D24/110.1
7,562,658	B2 *	7/2009	Madaus et al.	128/207.17
D604,461	S *	11/2009	Goldman et al.	D29/122
D620,647	S *	7/2010	Friedson	D29/122
7,886,370	B2 *	2/2011	Winningham	2/421
D639,417	S *	6/2011	Amarasinghe	D24/110.1
2007/0089219	A1 *	4/2007	Trainor et al.	2/421

* cited by examiner

Primary Examiner — Elizabeth J Oswecki

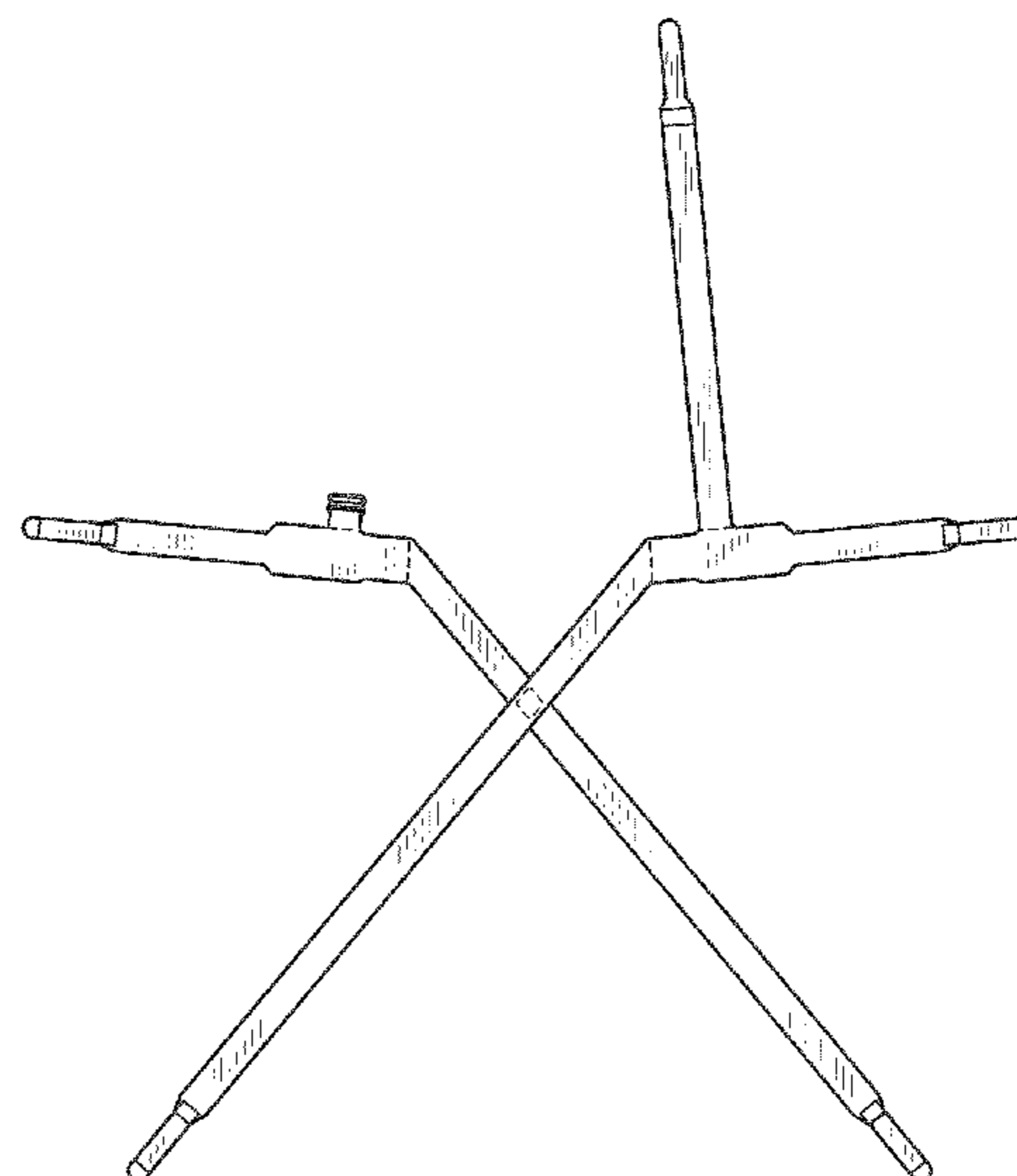
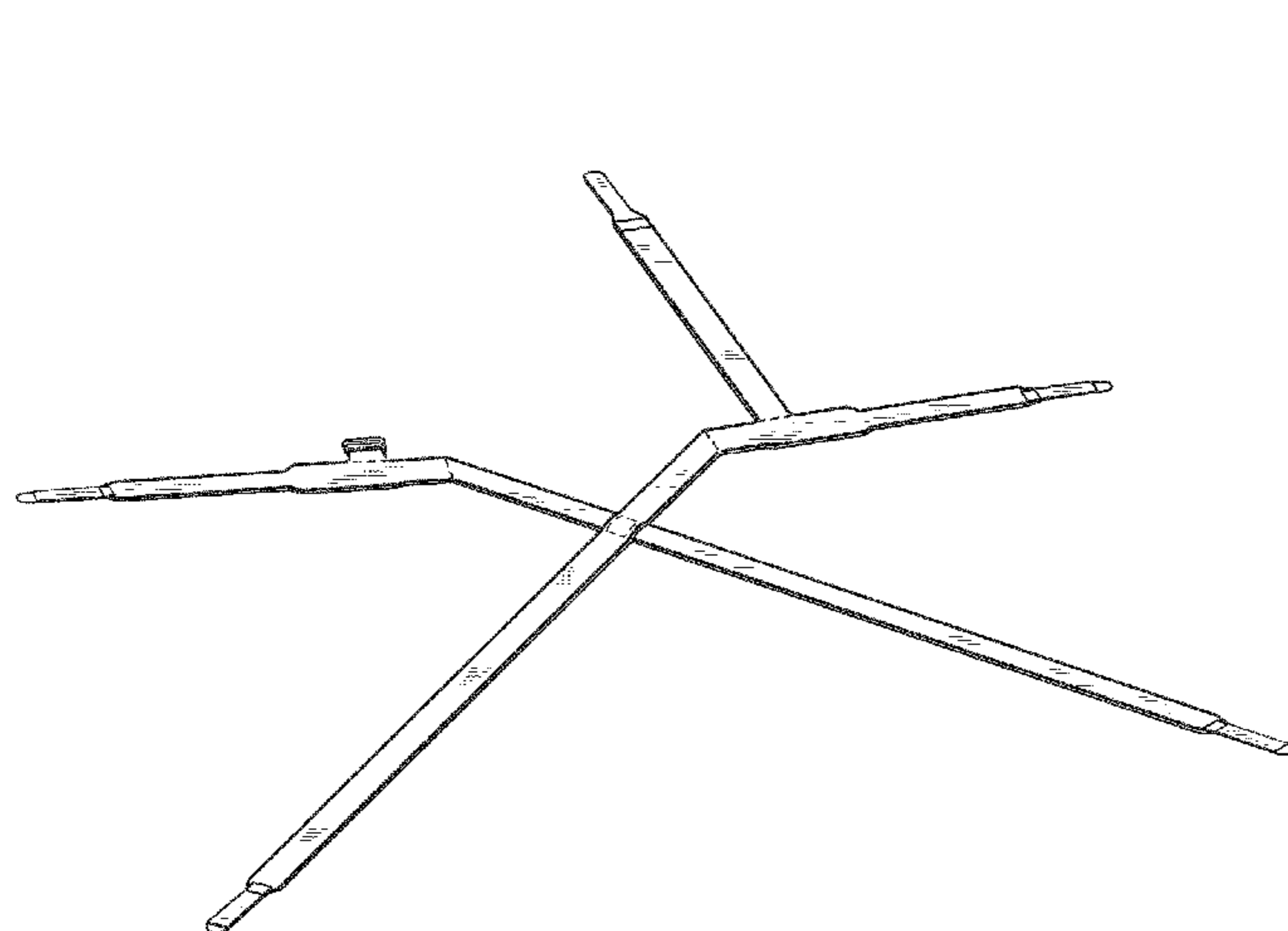
(57) **CLAIM**

The ornamental design for a strap for face mask, as shown and described.

DESCRIPTION

FIG. 1 is a perspective view of a strap for face mask showing our new design;
FIG. 2 is a front elevational view thereof;
FIG. 3 is a rear elevational view thereof;
FIG. 4 is a right side elevational view thereof;
FIG. 5 is a left side elevational view thereof;
FIG. 6 is a top plan view thereof; and,
FIG. 7 is a bottom plan view thereof.
In the drawings, the broken lines in FIGS. 1-3 depict portions of the design that form no part of the claim.

1 Claim, 4 Drawing Sheets



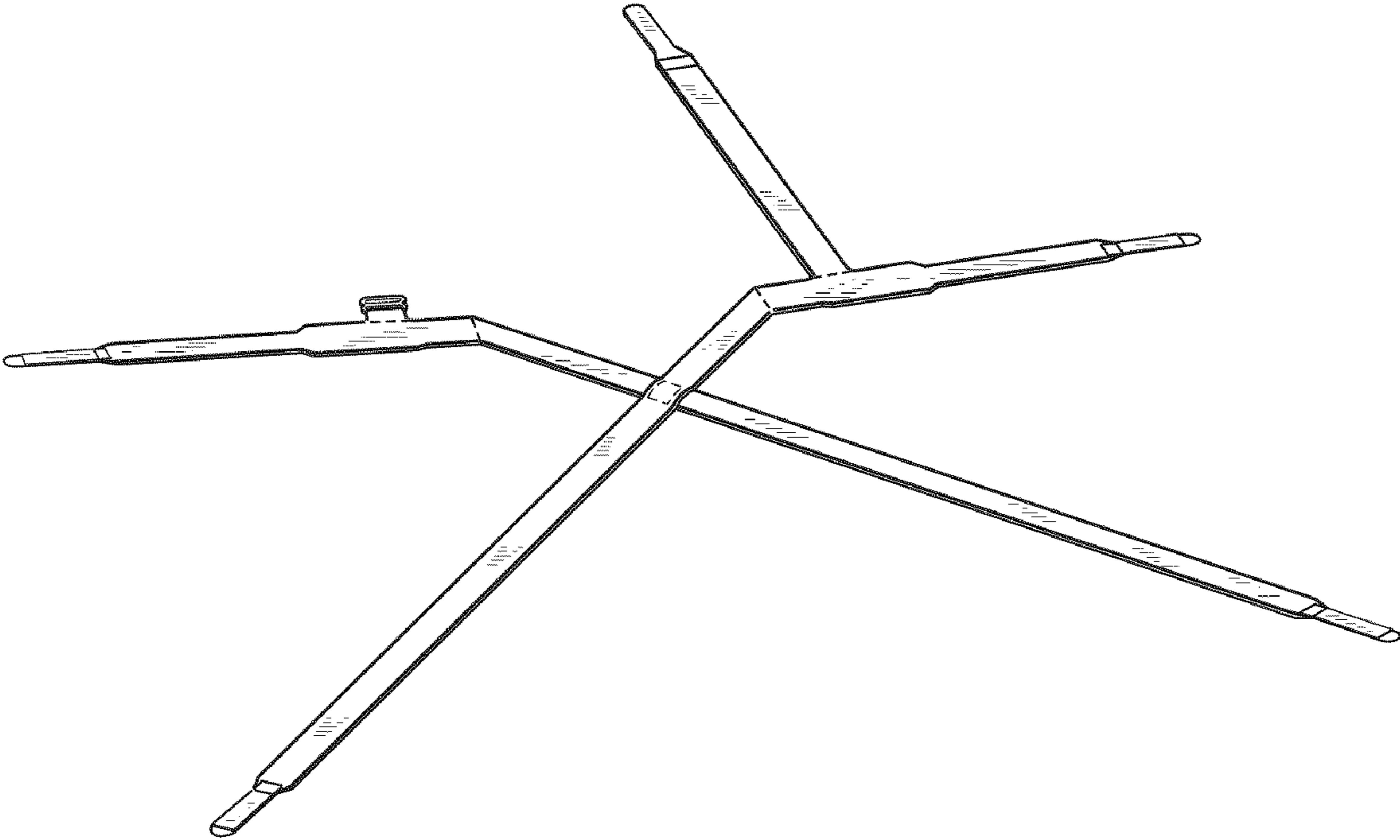


FIG.1

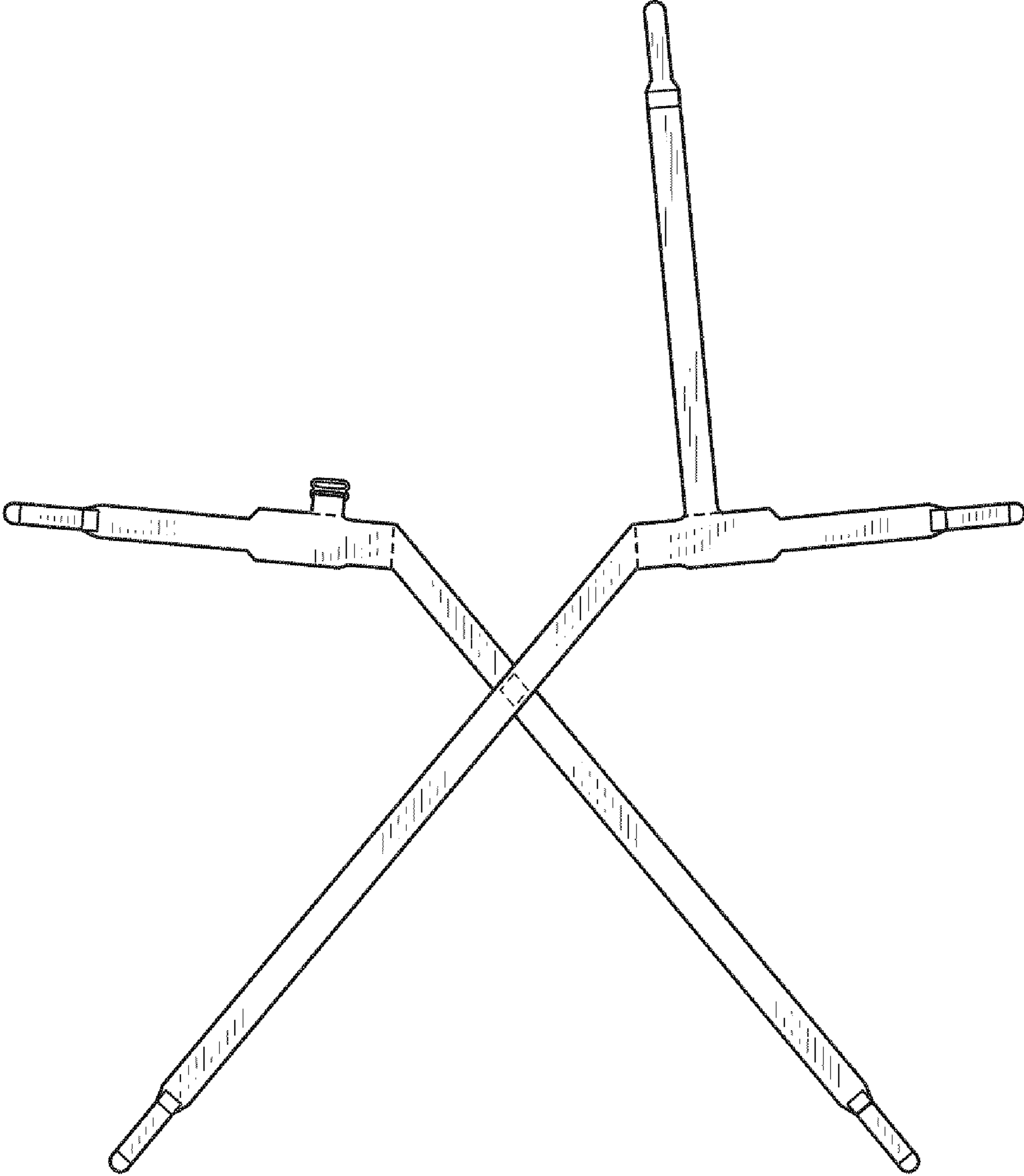


FIG.2

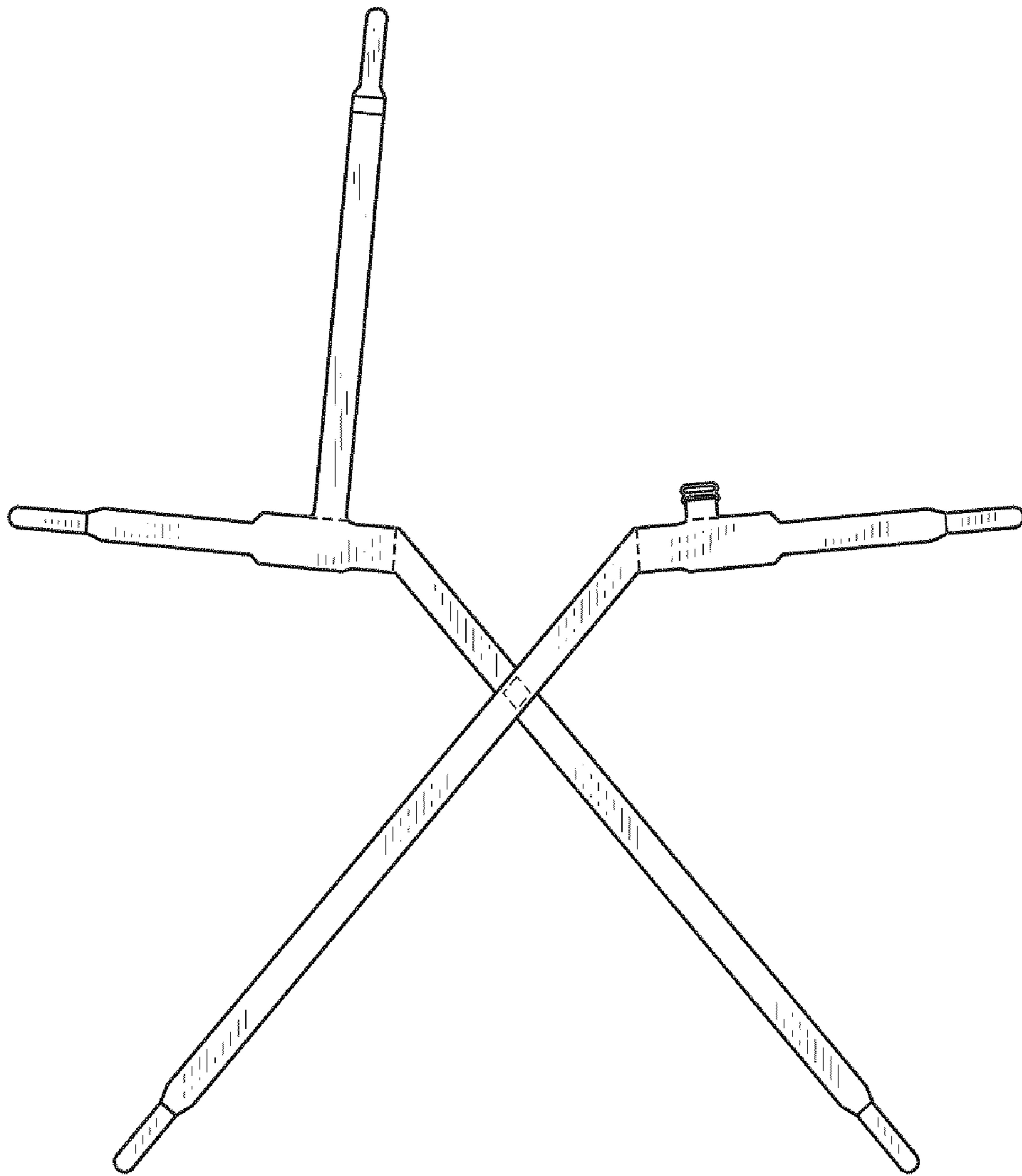


FIG.3

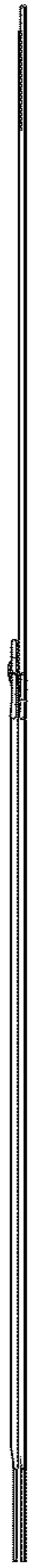


FIG. 4



FIG. 5

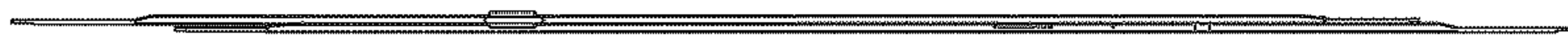


FIG. 6



FIG. 7