



US00D650133S

(12) **United States Design Patent**
Rascoe, III

(10) **Patent No.:** **US D650,133 S**
(45) **Date of Patent:** **** Dec. 6, 2011**

(54) **ATHLETIC MOUTHGUARD WITH NOVELTY DESIGN ON FRONT PORTION**

(76) **Inventor:** **David H. Rascoe, III**, Chula Vista, CA (US)

(**) **Term:** **14 Years**

(21) **Appl. No.:** **29/380,680**

(22) **Filed:** **Dec. 9, 2010**

(51) **LOC (9) Cl.** **29-02**

(52) **U.S. Cl.** **D29/108**

(58) **Field of Classification Search** D29/100, D29/108, 122; D24/107, 155, 156, 176, D24/180, 181, 182; 2/9, 424, 425; 128/857, 128/859, 860, 861, 862; 433/2, 6, 18, 24, 433/167, 168.1, 171, 172, 196; 602/902
See application file for complete search history.

6,491,521	B1 *	12/2002	Fowler, Jr.	433/167
6,494,210	B1 *	12/2002	Mams	128/859
6,584,978	B1 *	7/2003	Brett et al.	128/859
6,619,290	B1 *	9/2003	Zacco	128/848
D492,785	S *	7/2004	Garabito	D24/181
6,935,857	B1 *	8/2005	Farrell	433/6
D523,994	S *	6/2006	Manzo	D29/108
D529,615	S *	10/2006	Atz	D24/181
D532,559	S *	11/2006	Manzo et al.	D29/108
D537,987	S *	3/2007	Manzo et al.	D29/108
D570,550	S *	6/2008	Broersma	D29/108
7,404,403	B2 *	7/2008	Farrell	128/859
D595,413	S *	6/2009	Farrell	D24/181
D609,348	S *	2/2010	Farrell	D24/181
D618,806	S *	6/2010	Gelb	D24/181
D627,107	S *	11/2010	Manzo et al.	D29/108
D629,909	S *	12/2010	Chiu	D24/181
D630,382	S *	1/2011	Manzo et al.	D29/108
D634,480	S *	3/2011	Manzo et al.	D29/108
2002/0139376	A1	10/2002	Waddy	
2003/0136416	A1	7/2003	White	

* cited by examiner

Primary Examiner — Elizabeth J Oswecki

(56) **References Cited**

U.S. PATENT DOCUMENTS

3,223,085	A *	12/1965	Gores et al.	128/861
3,236,235	A *	2/1966	Jacobs	128/862
3,312,218	A *	4/1967	Jacobs	128/862
3,333,582	A *	8/1967	Cathcart	128/862
3,457,916	A *	7/1969	Wolicki	128/862
4,955,393	A *	9/1990	Adell	128/859
5,165,424	A *	11/1992	Silverman	128/861
5,234,005	A *	8/1993	Kittelsen et al.	128/859
D380,871	S *	7/1997	Guyette, Jr.	D29/108
5,642,737	A *	7/1997	Parks	128/848
D382,380	S	8/1997	Prabel	
D382,965	S *	8/1997	Wagner	D29/108
5,746,221	A	5/1998	Jones et al.	
D406,647	S *	3/1999	Wagner	D24/181
6,321,752	B1	11/2001	Spottiswoode	
D452,011	S *	12/2001	Redhage	D24/181

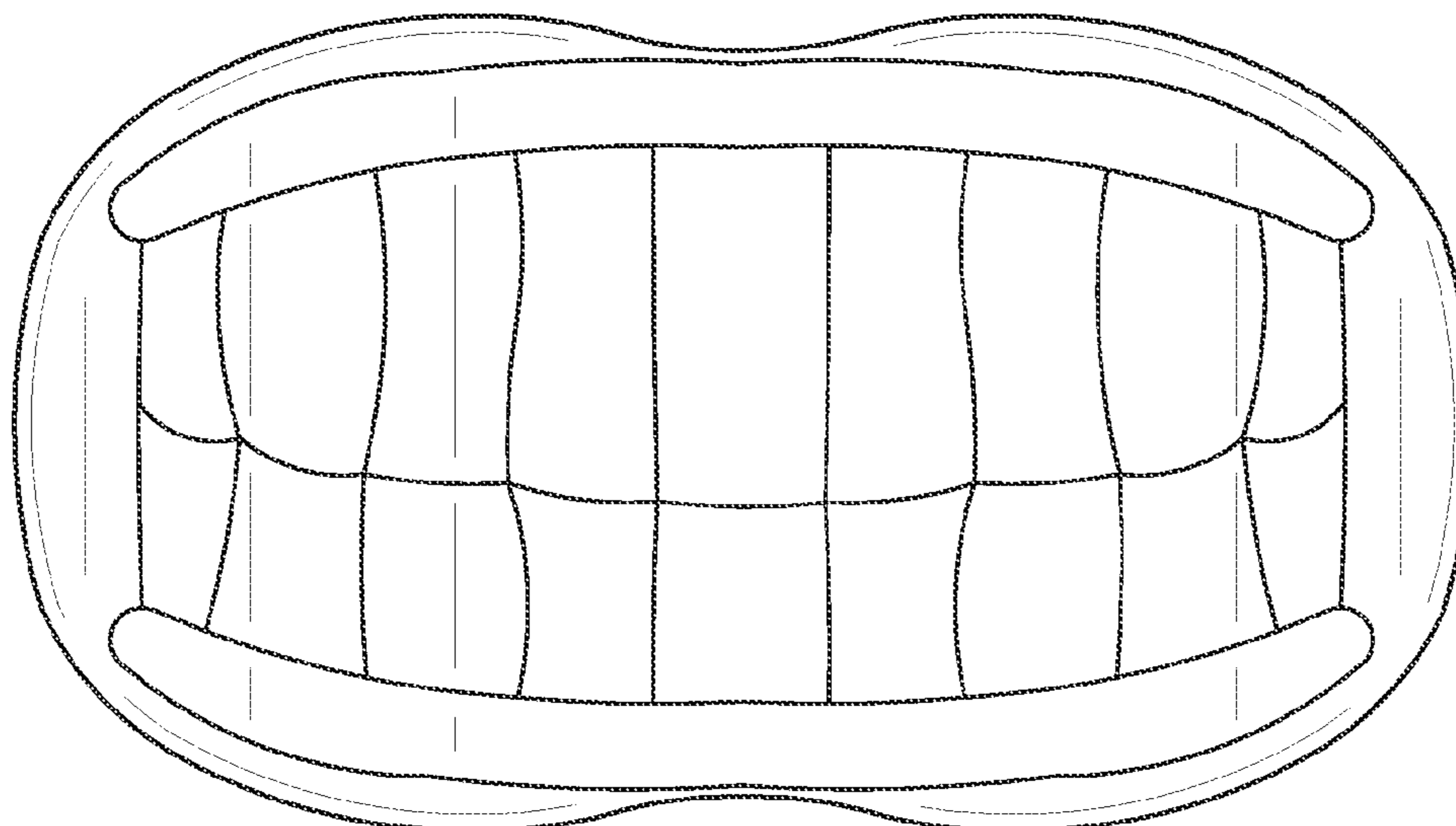
(57) **CLAIM**

The ornamental design for an athletic mouthguard with novelty design on front portion, as shown and described.

DESCRIPTION

FIG. 1 is a front view of an athletic mouthguard with novelty design on front portion showing my new design;
FIG. 2 is a back view thereof;
FIG. 3 is a side view thereof, the opposite side view being a mirror image; and,
FIG. 4 is a top plan view thereof, the bottom plan view being a mirror image.

1 Claim, 2 Drawing Sheets



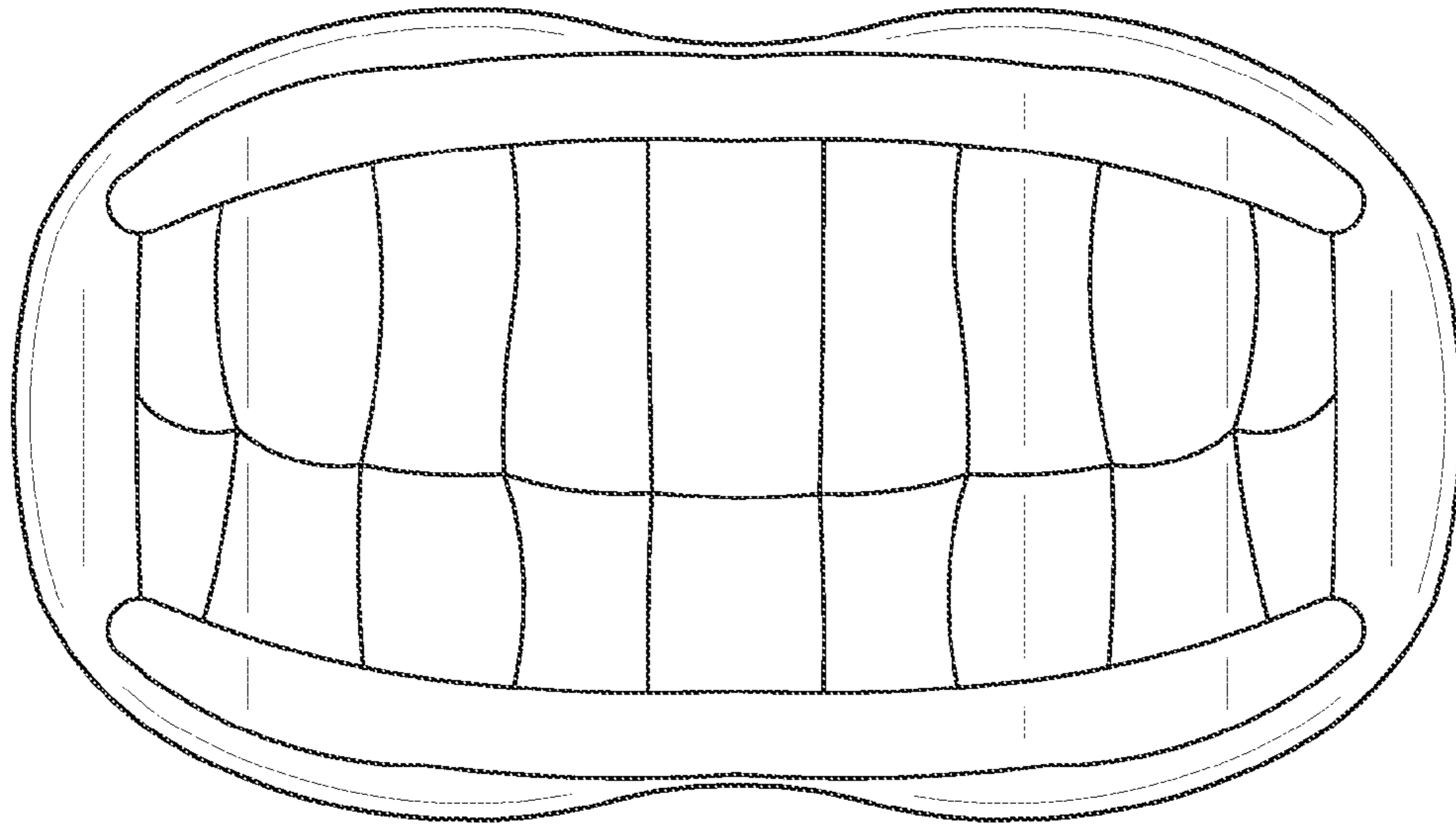


FIG. 1

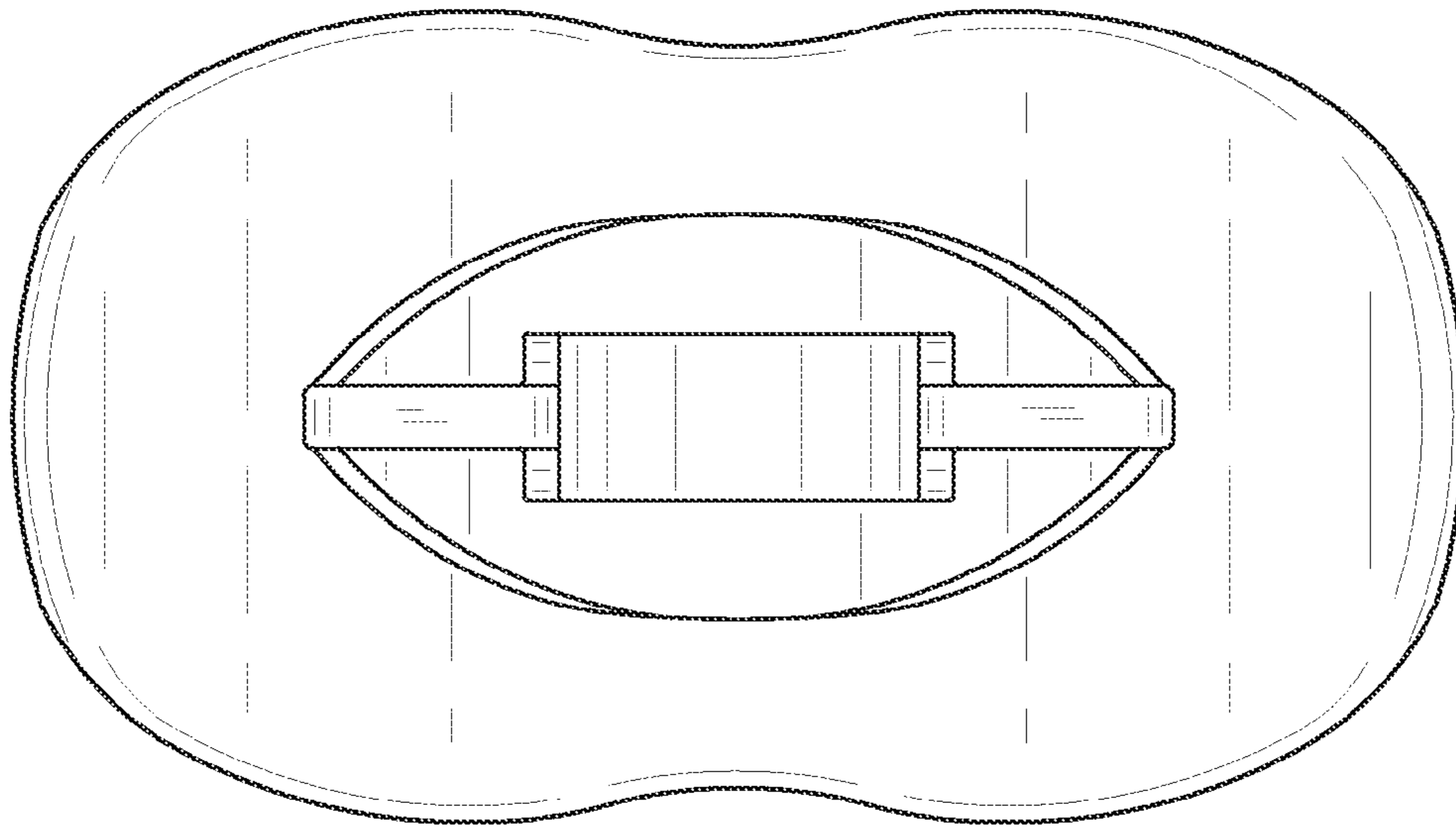


FIG. 2

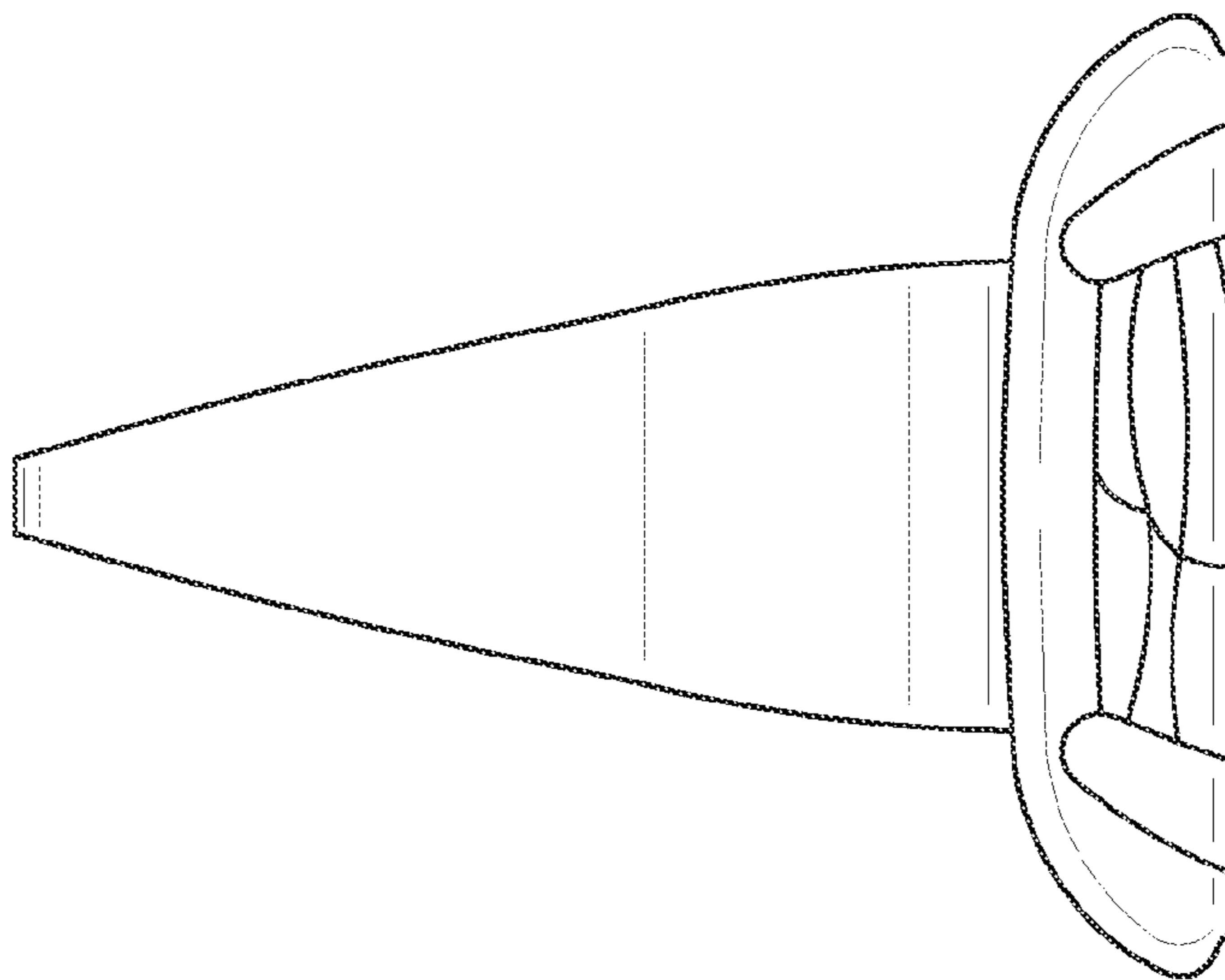


FIG. 3

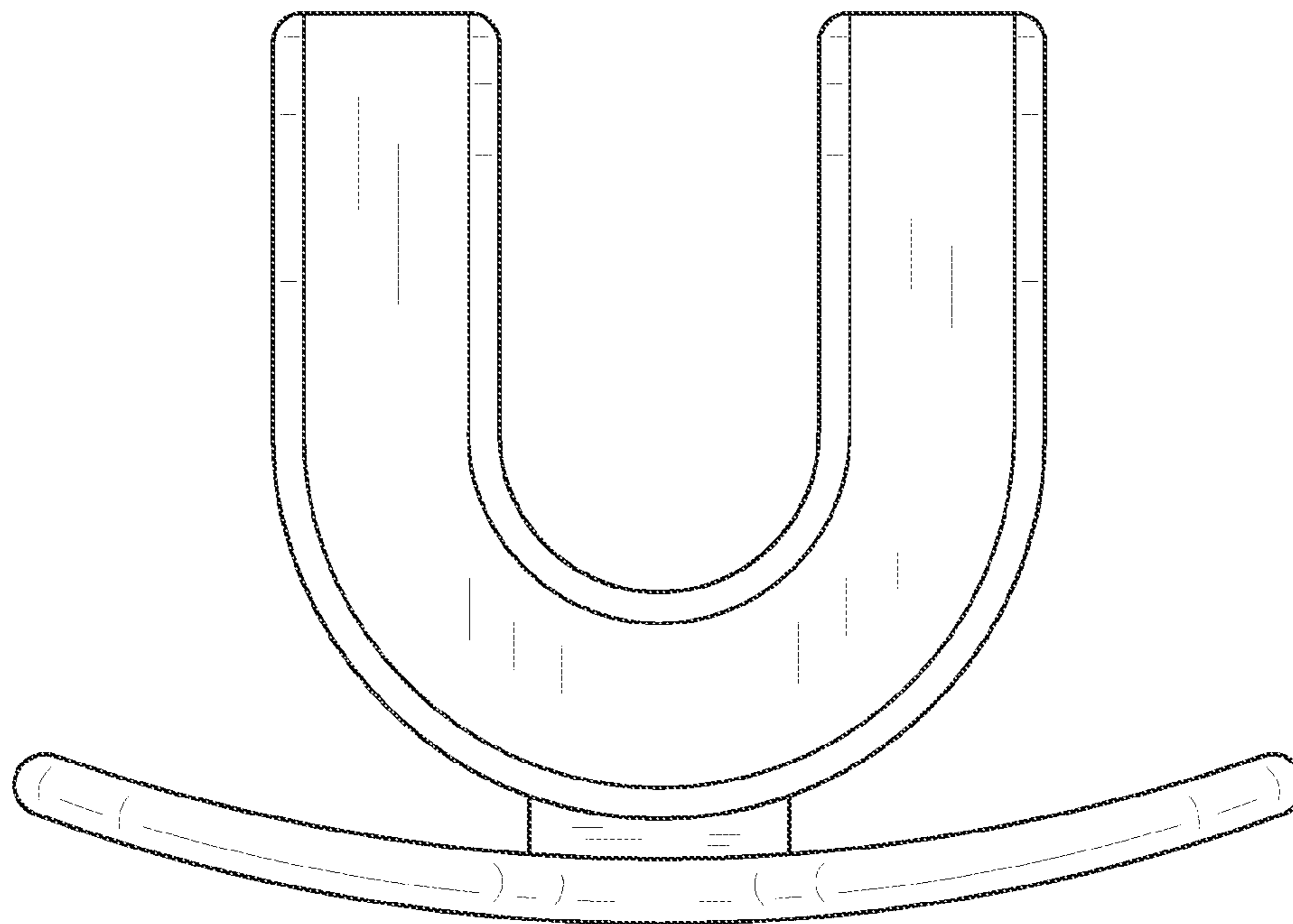


FIG. 4