



US00D650131S

(12) **United States Design Patent**
Ino

(10) **Patent No.:** **US D650,131 S**

(45) **Date of Patent:** **** Dec. 6, 2011**

(54) **ELECTRIC SHAVER**

(75) Inventor: **Tomoaki Ino**, Yokohama (JP)

(73) Assignee: **Panasonic Electric Works Co., Ltd.**,
Kadoma-shi (JP)

(**) Term: **14 Years**

(21) Appl. No.: **29/384,180**

(22) Filed: **Jan. 27, 2011**

(30) **Foreign Application Priority Data**

Jul. 27, 2010 (JP) 2010-018160

(51) **LOC (9) Cl.** **28-03**

(52) **U.S. Cl.** **D28/54**

(58) **Field of Classification Search** 30/32, 34.05,
30/34.1-34.2, 30-31, 43-43.92, 44-45, 47-51,
30/77-84, 526-541, 346.5-346.61, 194-196,
30/198-205, 208-216, 233-233.5, 152, 355;
D8/20; D28/44-44.1, 45-54

See application file for complete search history.

(56) **References Cited**

U.S. PATENT DOCUMENTS

| | | | | |
|-----------|-----|---------|-----------------|--------|
| 1,527,561 | A * | 2/1925 | Klum | 30/169 |
| 2,685,734 | A * | 8/1954 | Klein | 30/144 |
| 4,890,386 | A * | 1/1990 | Collier | 30/136 |
| D385,164 | S * | 10/1997 | Hutchins et al. | D8/20 |
| 5,724,688 | A * | 3/1998 | Chen | 7/128 |
| D455,057 | S * | 4/2002 | Medhurst | D8/20 |
| D481,169 | S * | 10/2003 | Cheung | D28/44 |
| D551,801 | S * | 9/2007 | Ullmann | D28/51 |
| D572,408 | S * | 7/2008 | Nishizawa | D28/49 |
| D587,849 | S * | 3/2009 | Nishizawa | D28/51 |
| D590,542 | S * | 4/2009 | Ullmann | D28/49 |

| | | | | |
|--------------|------|---------|-----------------|----------|
| 2003/0192128 | A1 * | 10/2003 | Rivera | 7/128 |
| 2007/0001040 | A1 * | 1/2007 | Walters | 241/82.5 |
| 2008/0066626 | A1 * | 3/2008 | Raichlen et al. | 99/421 H |
| 2008/0127497 | A1 * | 6/2008 | Moss et al. | 30/355 |
| 2008/0263869 | A1 * | 10/2008 | Floeschholzer | 30/34.1 |
| 2009/0183376 | A1 * | 7/2009 | Wang | 30/233.5 |
| 2009/0236902 | A1 * | 9/2009 | Zibkoff | 301/104 |
| 2011/0131811 | A1 * | 6/2011 | Hirano | 30/30 |

* cited by examiner

Primary Examiner — Jennifer Rivard

(74) *Attorney, Agent, or Firm* — Marvin A. Motsenbocker;
Mots Law, PLLC

(57) **CLAIM**

The ornamental design for an electric shaver, as shown and described.

DESCRIPTION

FIG. 1 is a front perspective view of an electric shaver;
 FIG. 2 is a top plan view thereof;
 FIG. 3 is an enlarged top plan view thereof;
 FIG. 4 is a front view thereof;
 FIG. 5 is an enlarged front view showing 5-5 portion in FIG. 4.
 FIG. 6 is an enlarged sectional view thereof taken along line 6-6 of FIG. 5, in which the internal components are omitted;
 FIG. 7 is a right side view thereof;
 FIG. 8 is an enlarged right side view showing 8-8 portion in FIG. 7;
 FIG. 9 is a rear view thereof;
 FIG. 10 is a left side view thereof; and,
 FIG. 11 is a bottom plan view thereof.
 The portions of the article in broken lines are shown for illustrative purposes only and form no part of the claimed design.

1 Claim, 11 Drawing Sheets

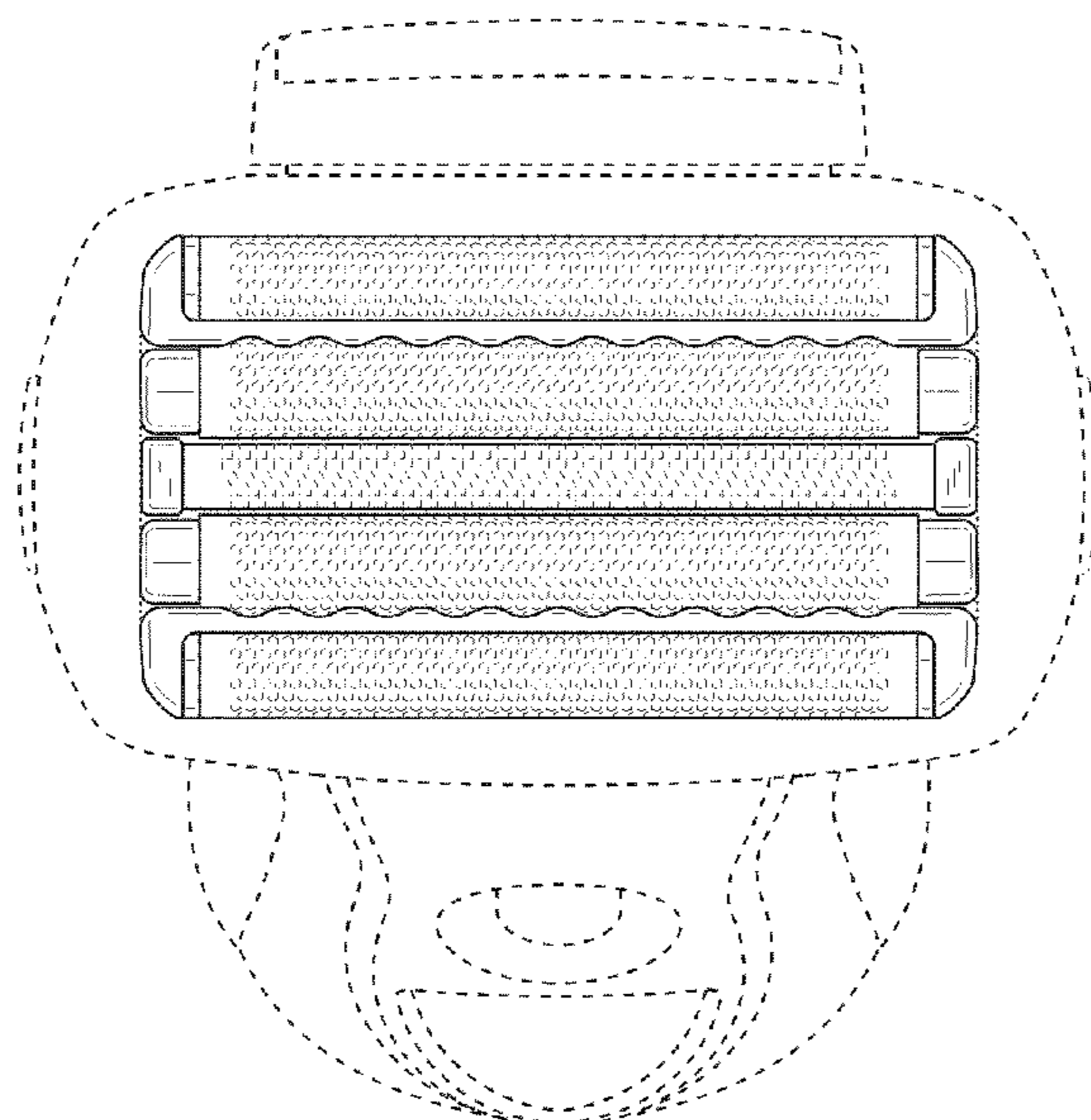


Fig. 1

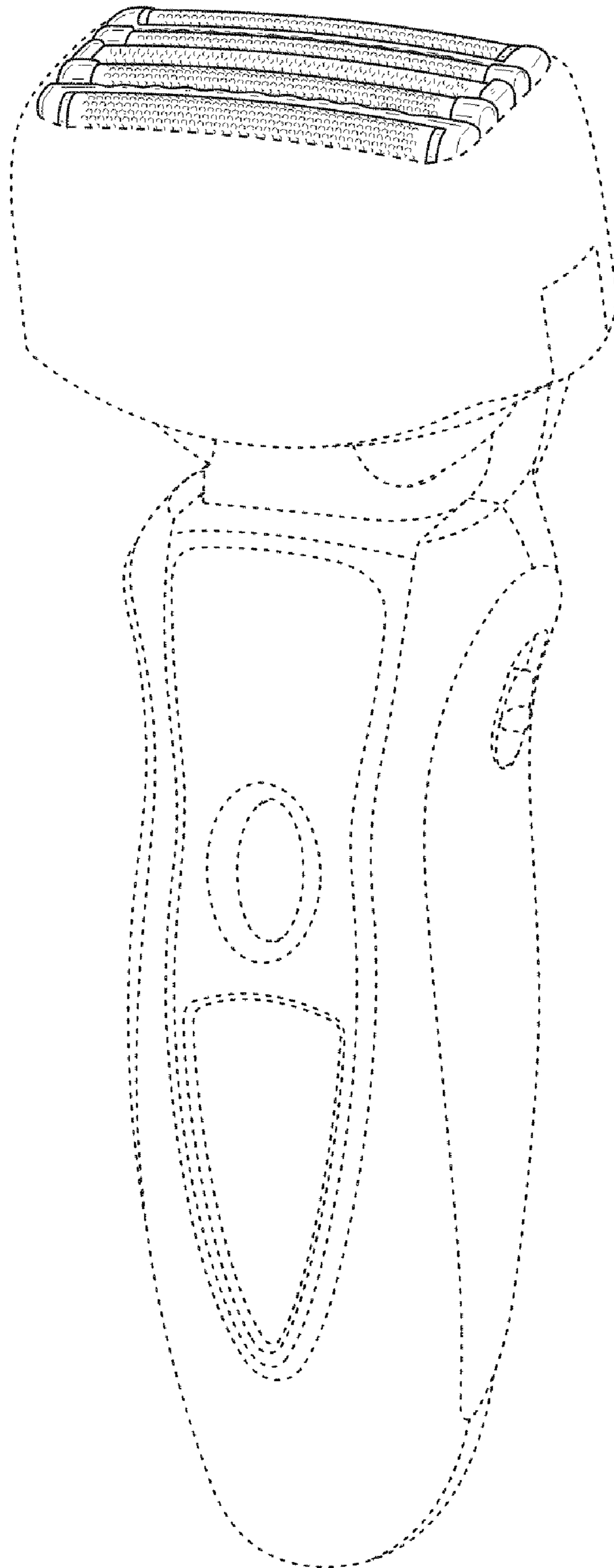


Fig.2

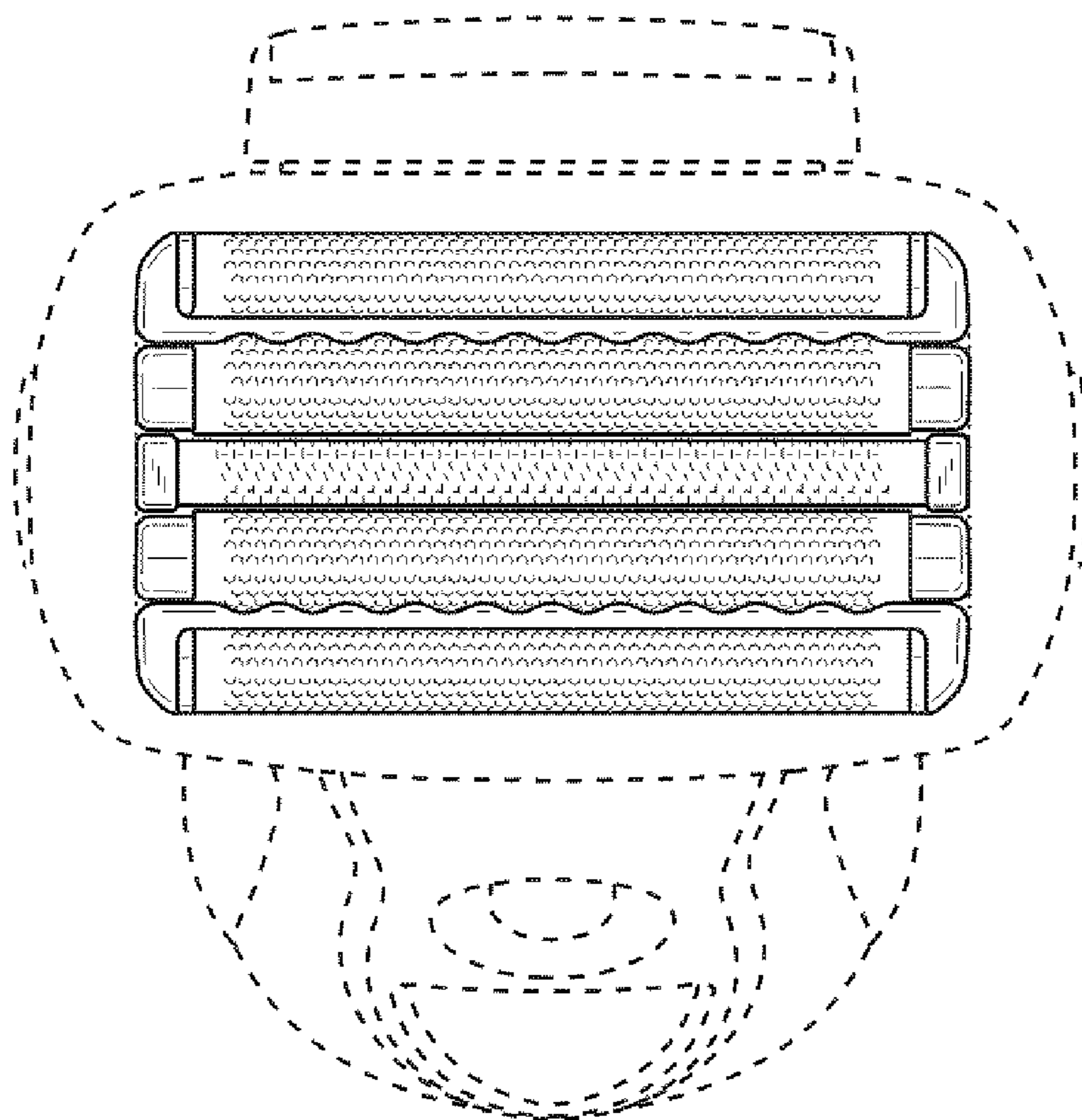


Fig.3

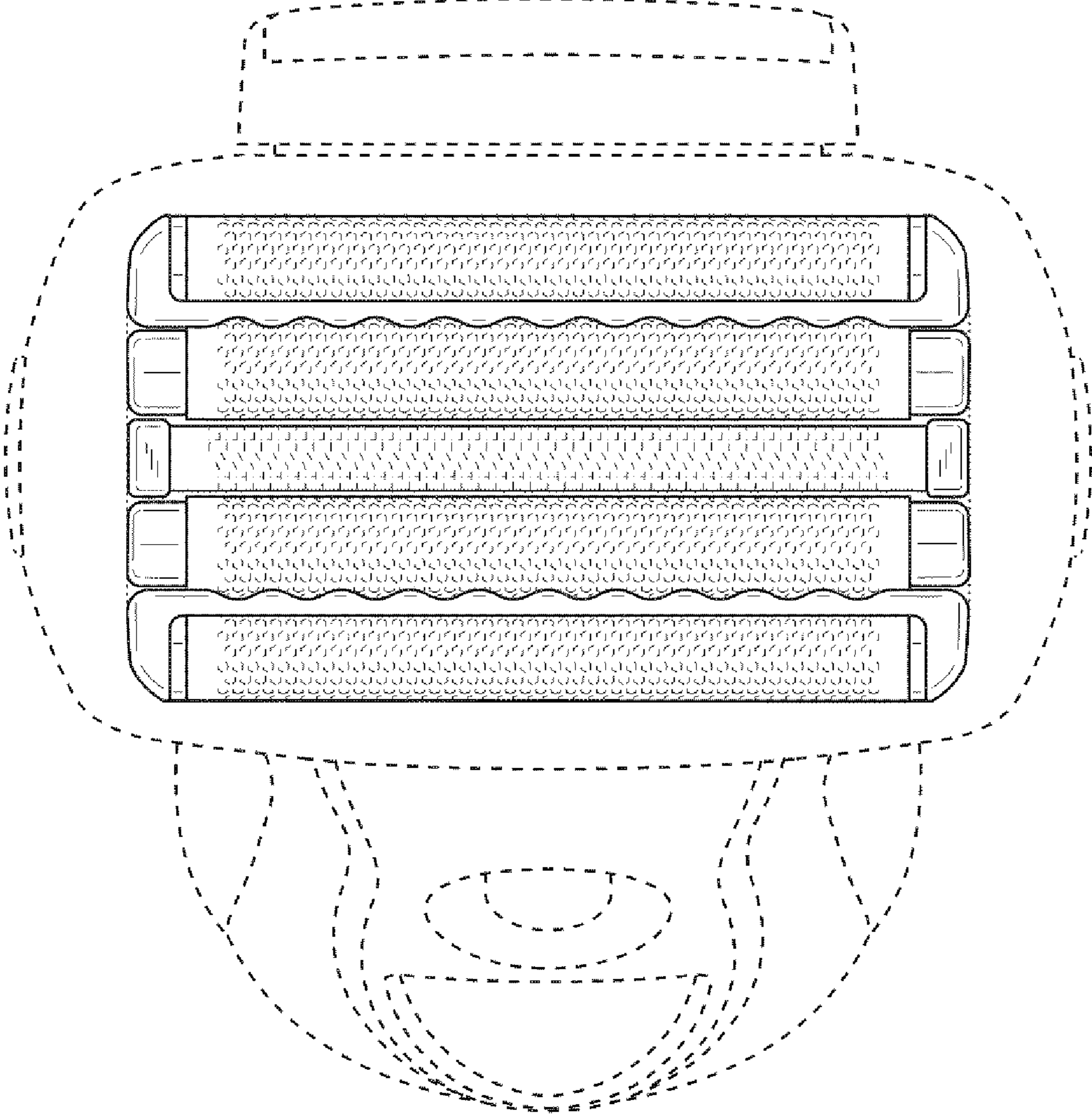


Fig.4

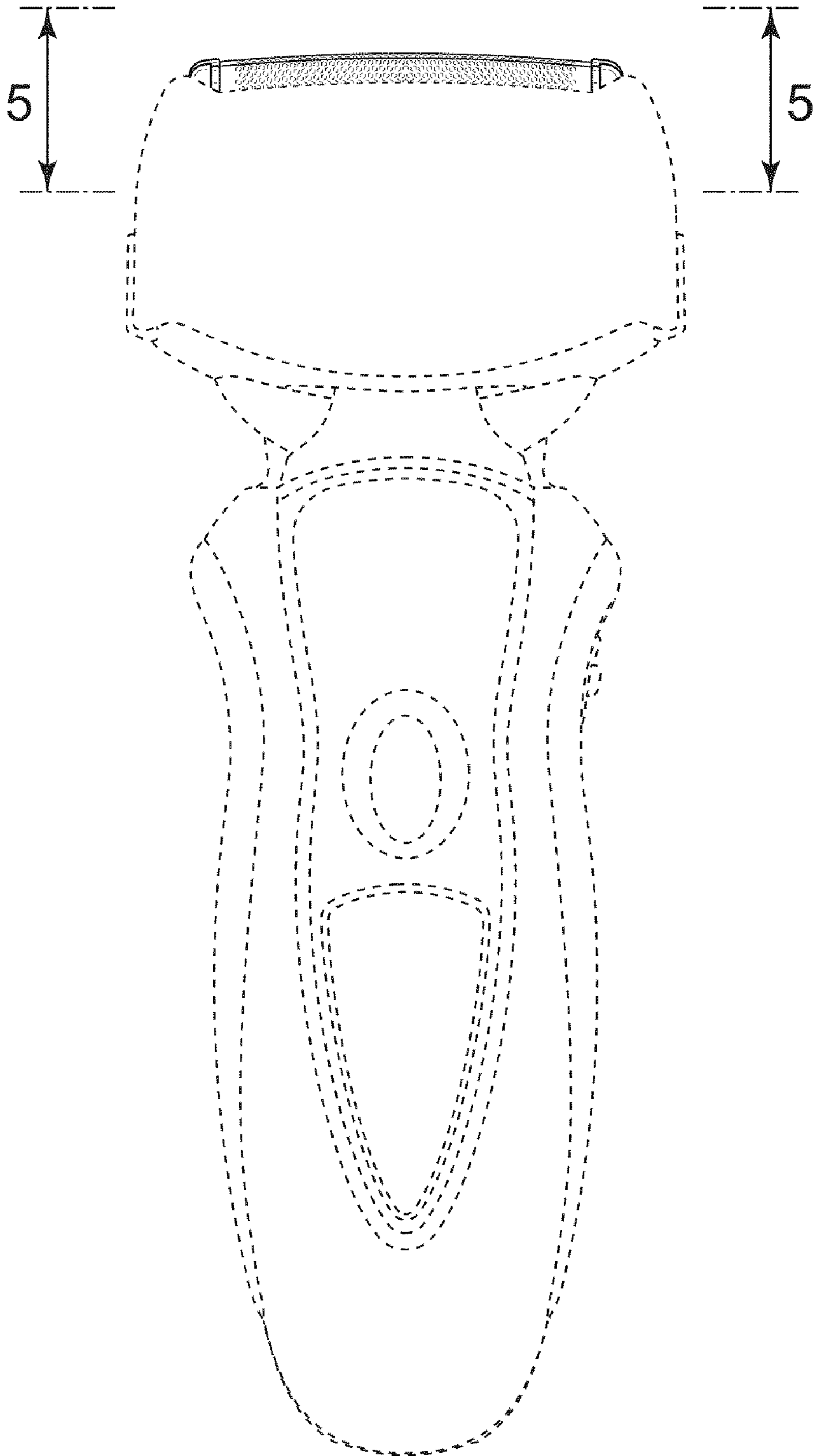


Fig.5

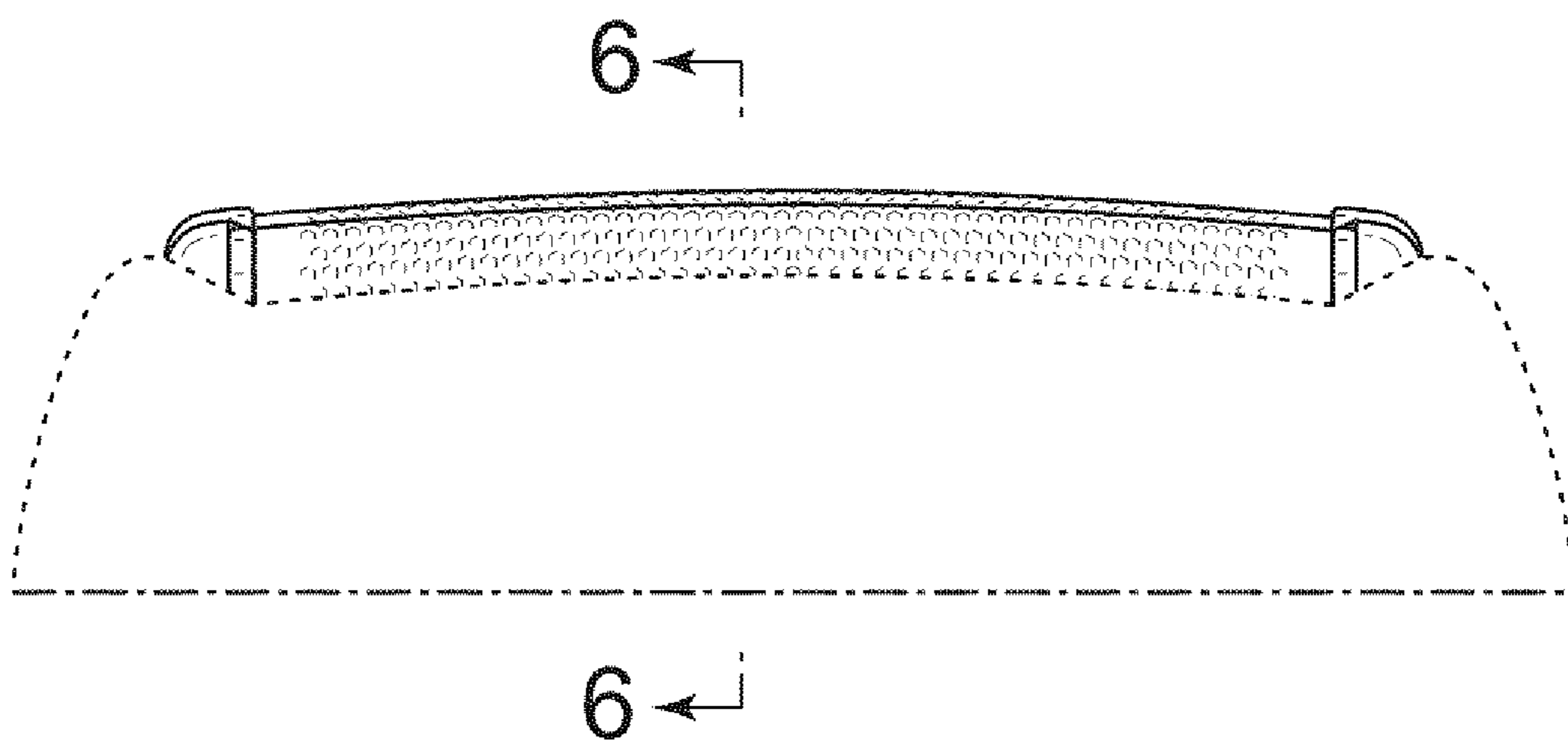


Fig.6

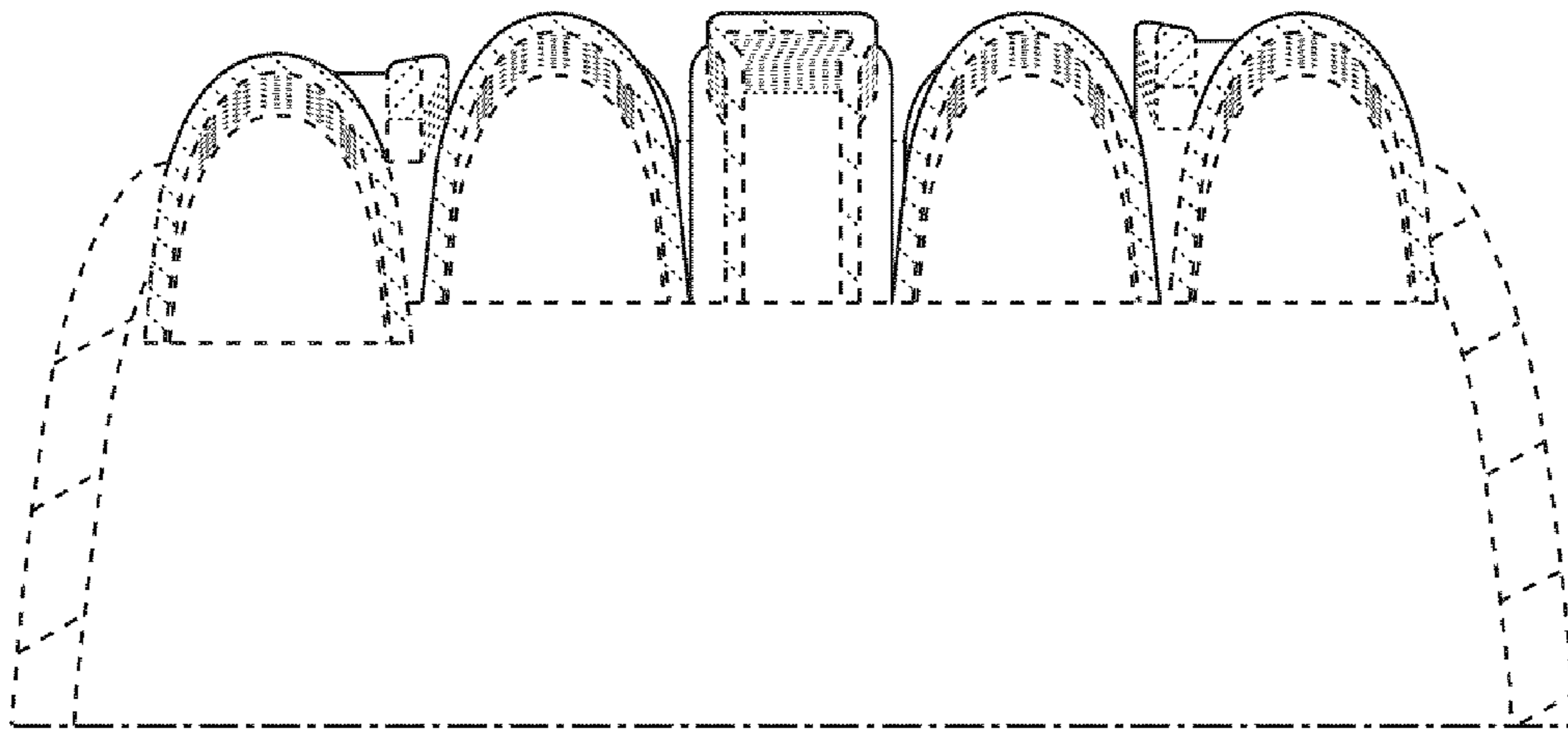


Fig.7

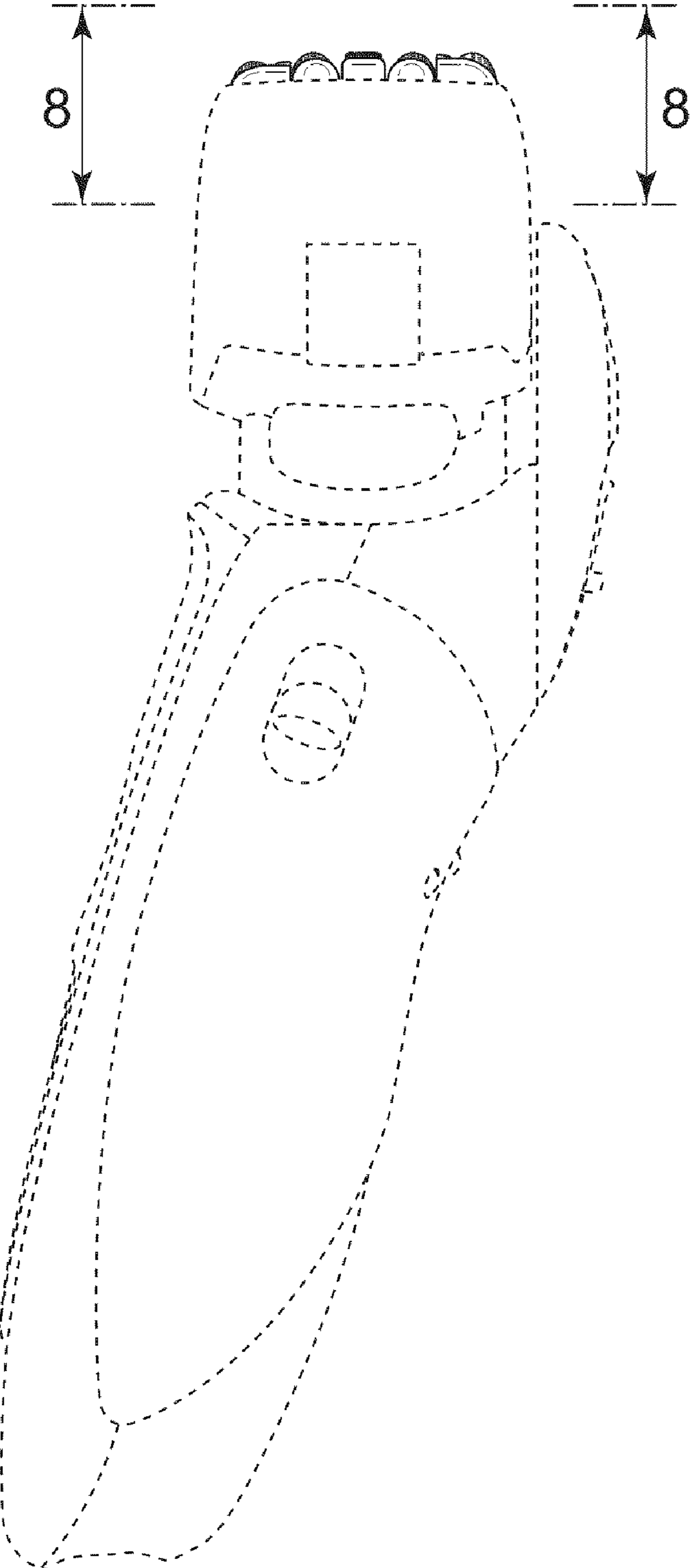


Fig. 8

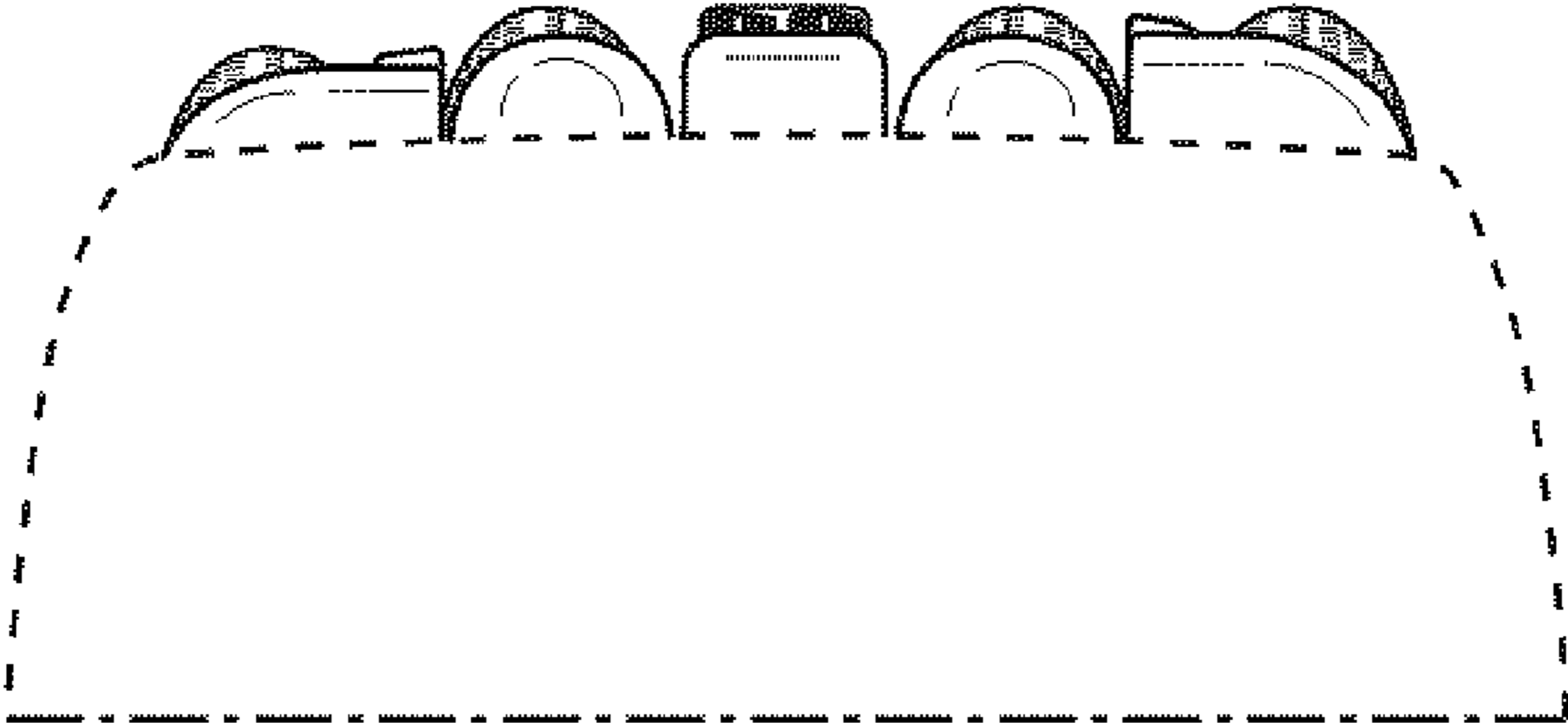


Fig.9

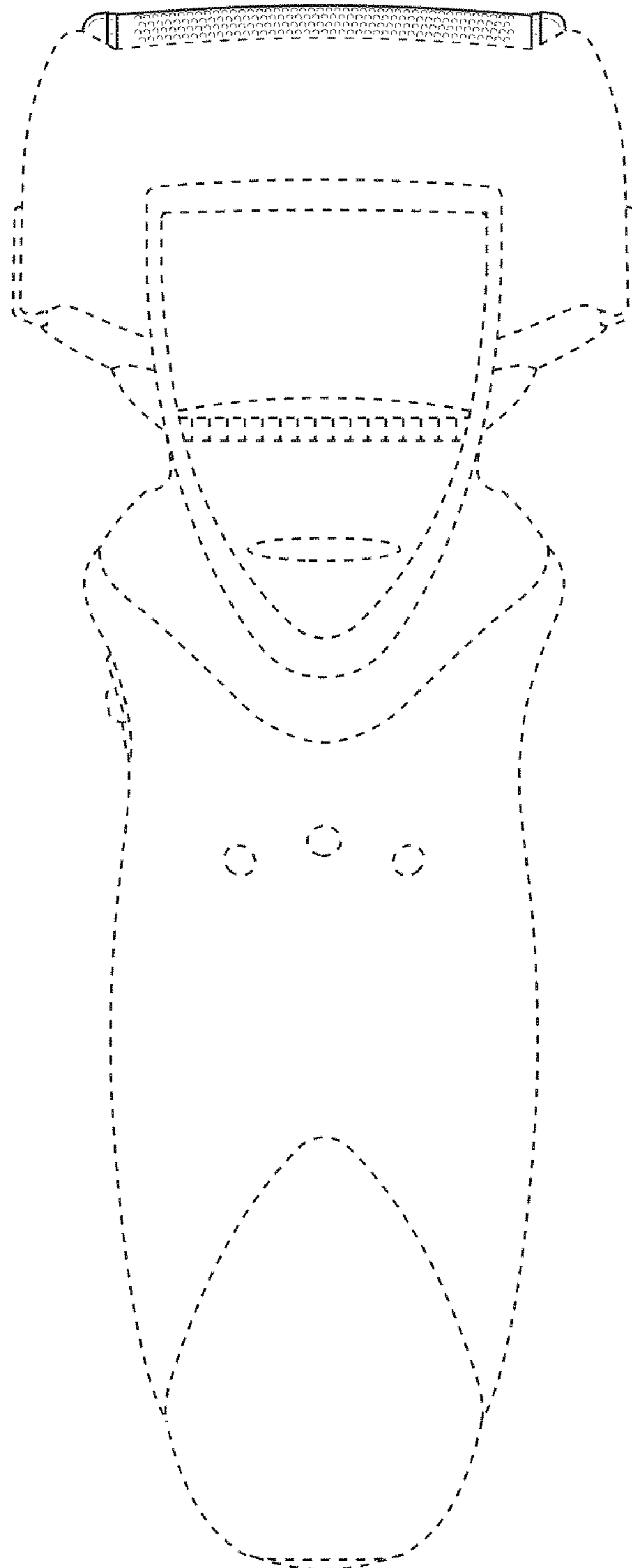


Fig.10

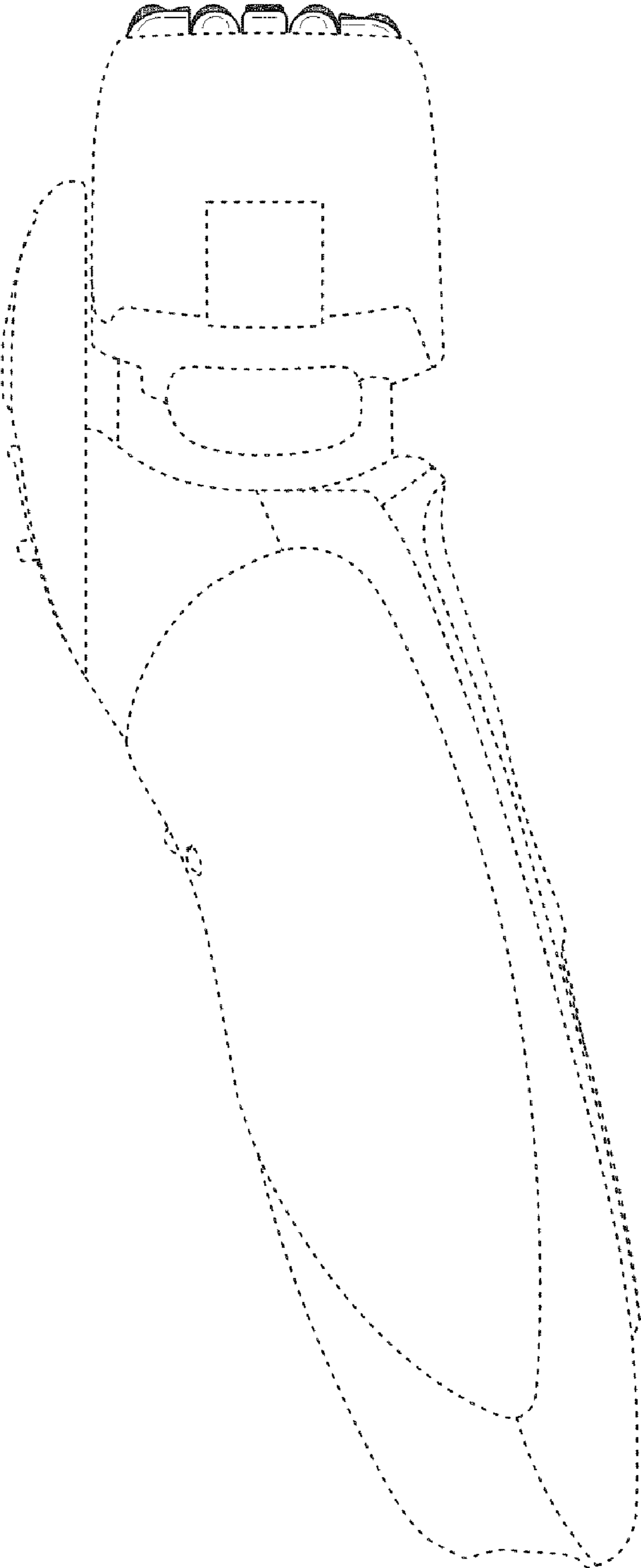


Fig. 11

