



US00D650129S

(12) **United States Design Patent**
Hein

(10) **Patent No.:** **US D650,129 S**

(45) **Date of Patent:** **** Dec. 6, 2011**

(54) **HAIR IRON**

(75) Inventor: **John Hein**, Leeds (GB)

(73) Assignee: **Jemella Group Limited**, Manchester (GB)

(**) Term: **14 Years**

(21) Appl. No.: **29/381,298**

(22) Filed: **Dec. 17, 2010**

(30) **Foreign Application Priority Data**

Jul. 1, 2010 (EM) 001727017

(51) **LOC (9) Cl.** **28-03**

(52) **U.S. Cl.** **D28/35**

(58) **Field of Classification Search** D28/35-38;
132/223-272; 219/222, 225-226

See application file for complete search history.

(56) **References Cited**

U.S. PATENT DOCUMENTS

D581,592 S * 11/2008 Hein D28/35
D620,195 S * 7/2010 Overend et al. D28/35
D623,799 S * 9/2010 Hein D28/35
D627,512 S * 11/2010 Kim D28/35

D632,431 S * 2/2011 Kim D28/35
* cited by examiner

Primary Examiner — Jennifer Rivard

(74) *Attorney, Agent, or Firm* — Shumaker, Loop & Kendrick, LLP

(57) **CLAIM**

The ornamental design for a hair iron, as shown and described.

DESCRIPTION

FIG. 1 is a front, top and right side perspective view of a hair iron showing my new design;

FIG. 2 is a top plan view thereof;

FIG. 3 is a bottom plan view thereof;

FIG. 4 is a front elevational view thereof;

FIG. 5 is a rear elevational view thereof;

FIG. 6 is a front, top and right side perspective view of the hair iron shown in an open configuration;

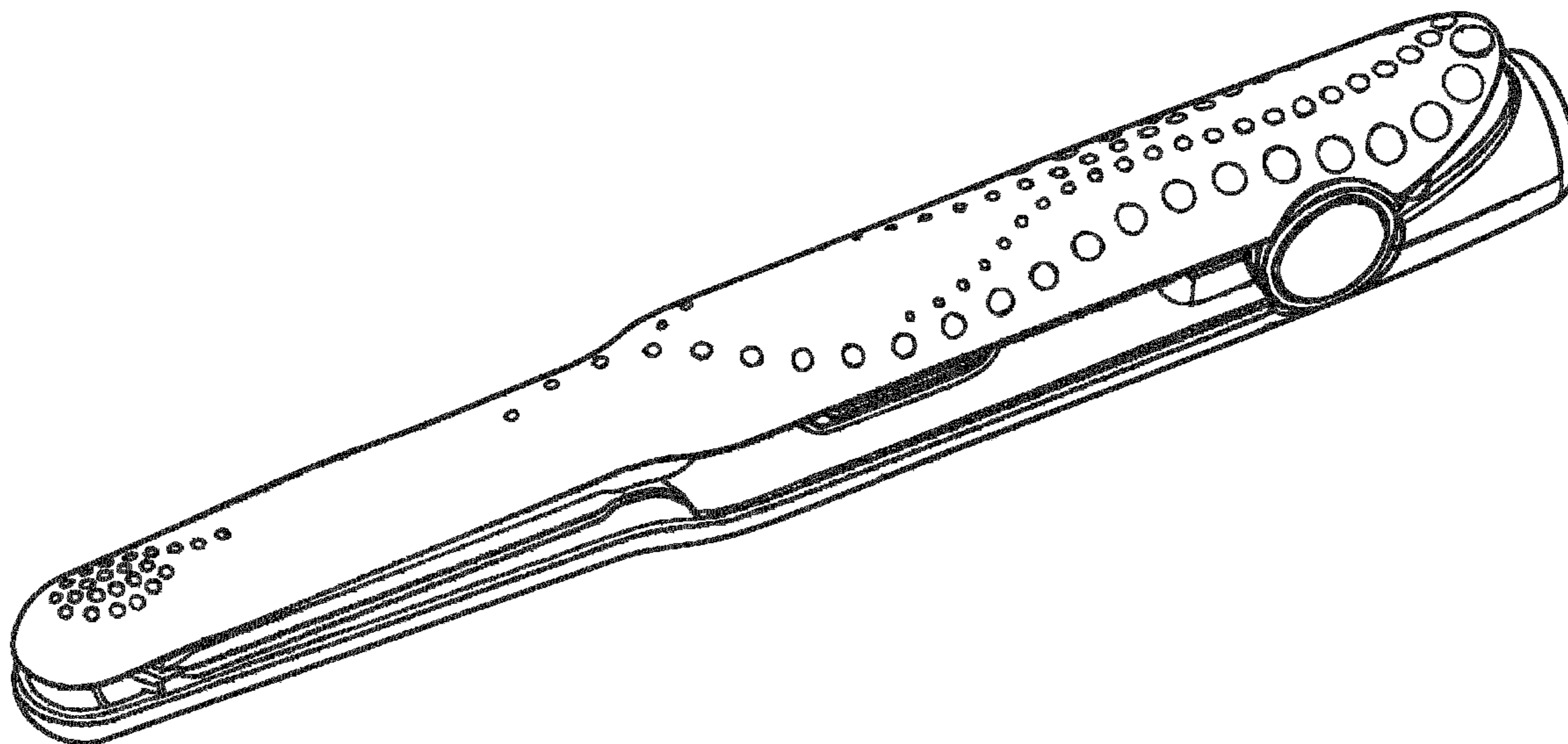
FIG. 7 is a right side elevation view of the hair iron shown in a closed configuration;

FIG. 8 is a right side elevation view of the hair iron shown in an open configuration;

FIG. 9 is a left side elevation view of the hair iron shown in a closed configuration; and,

FIG. 10 is a left side elevation view of the hair iron shown in an open configuration.

1 Claim, 6 Drawing Sheets



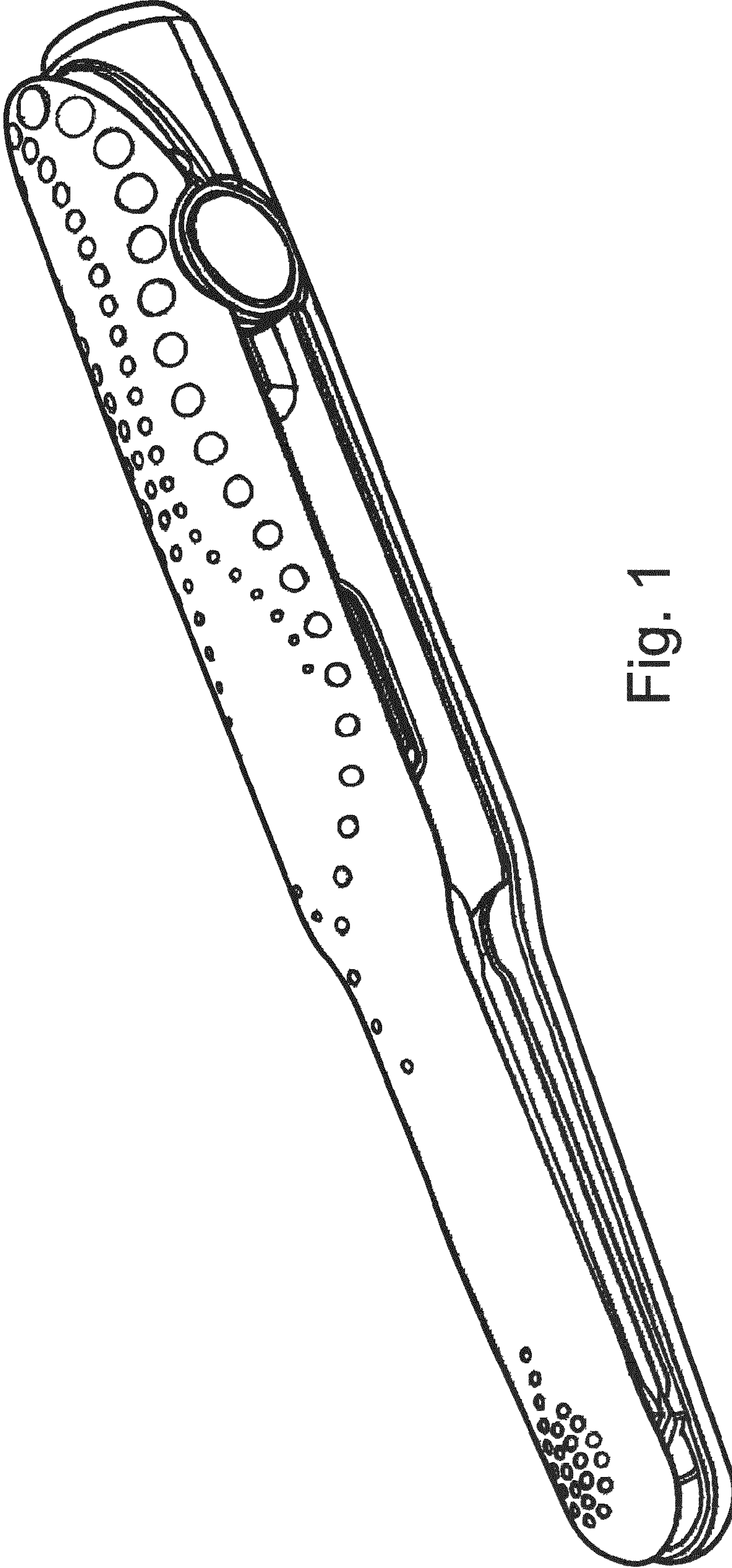


Fig. 1

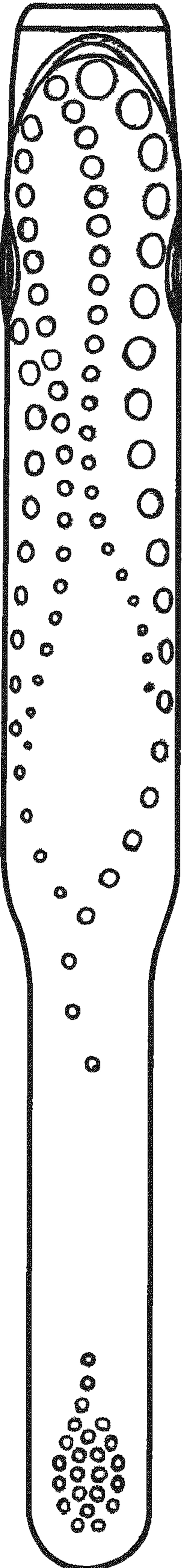


Fig. 2

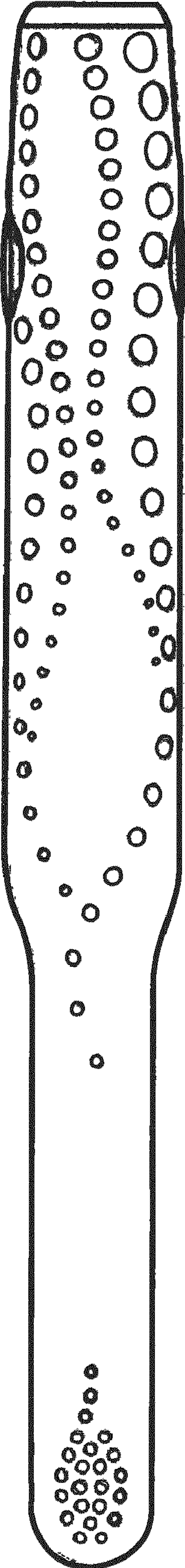


Fig. 3

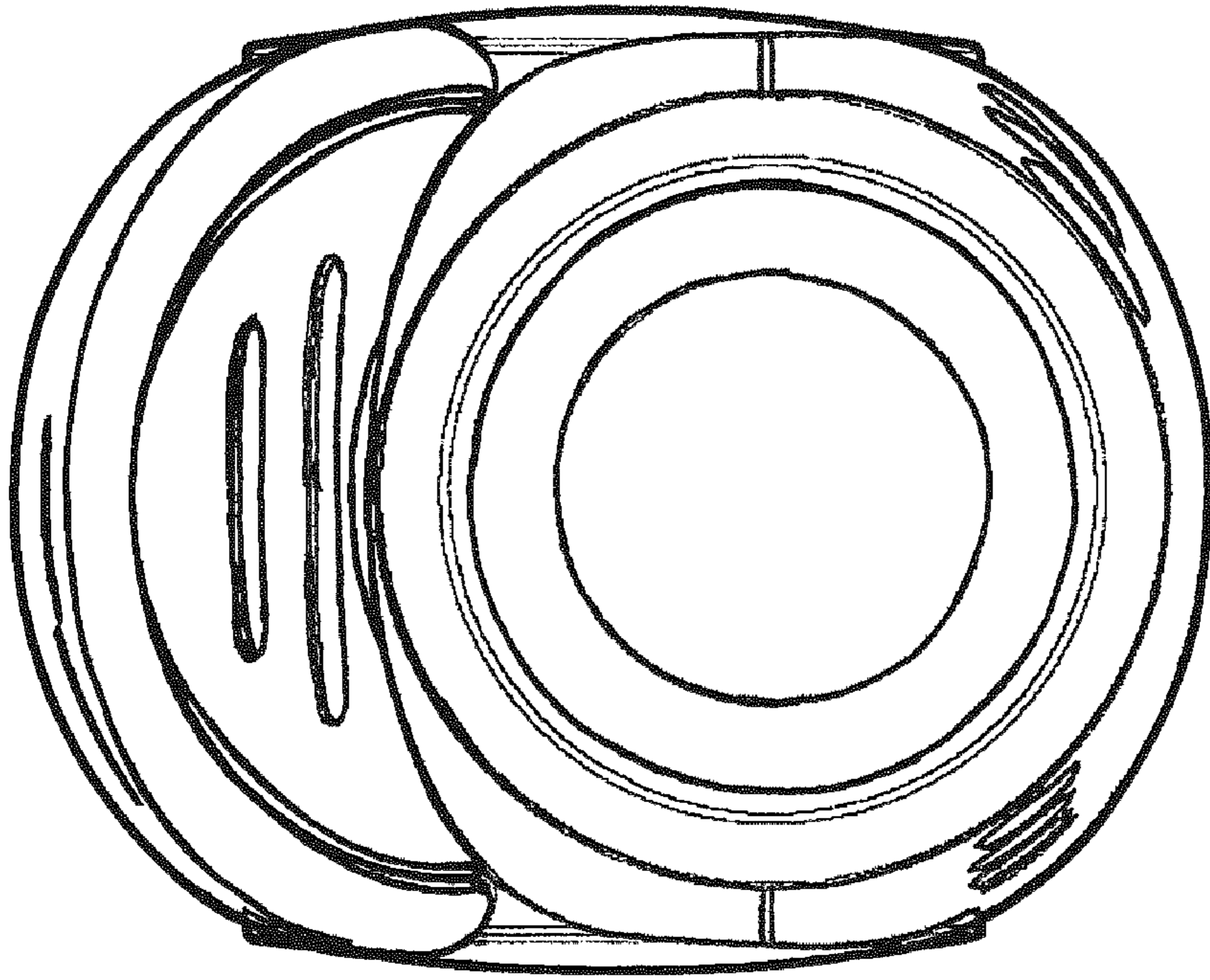


Fig. 5

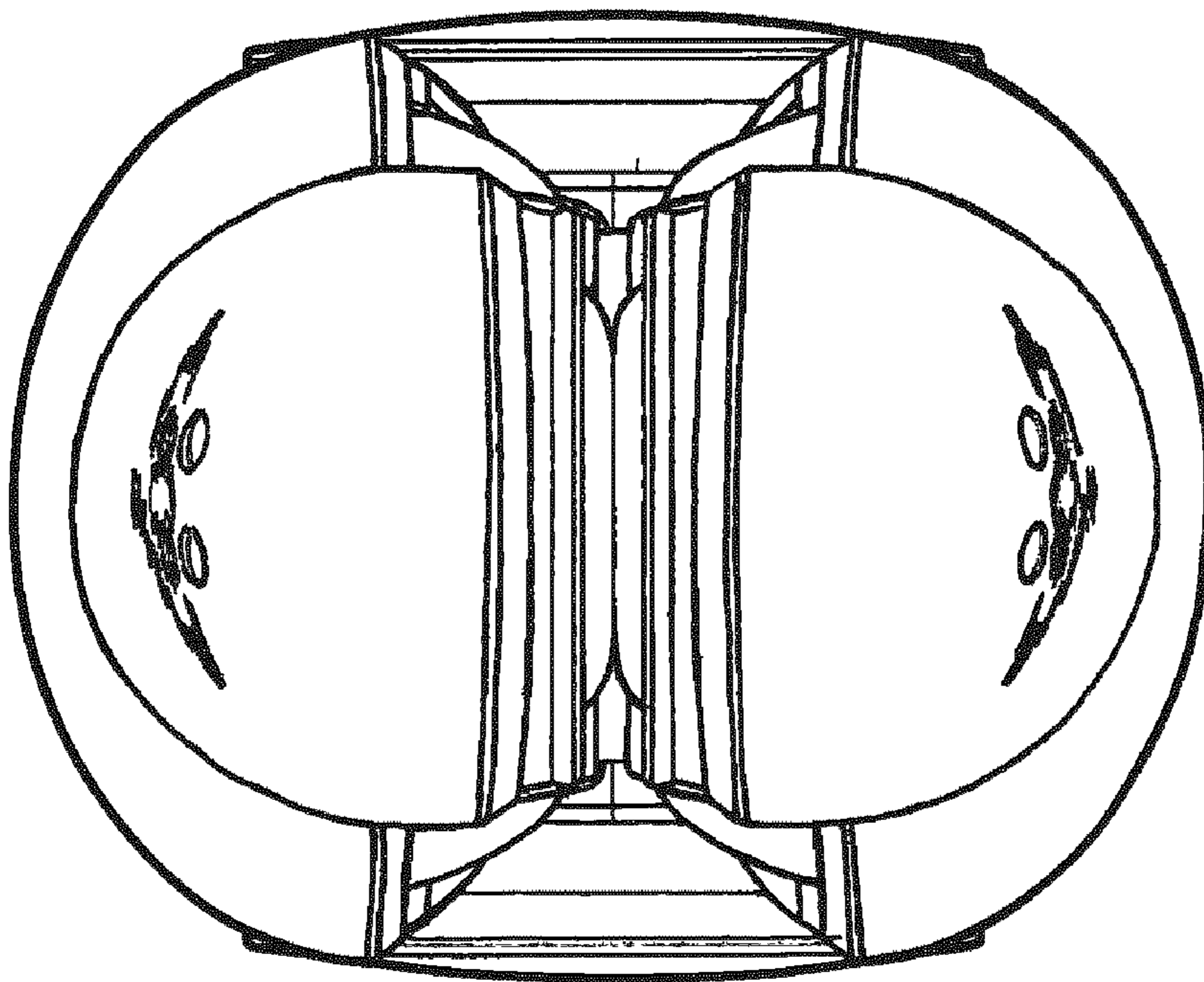


Fig. 4

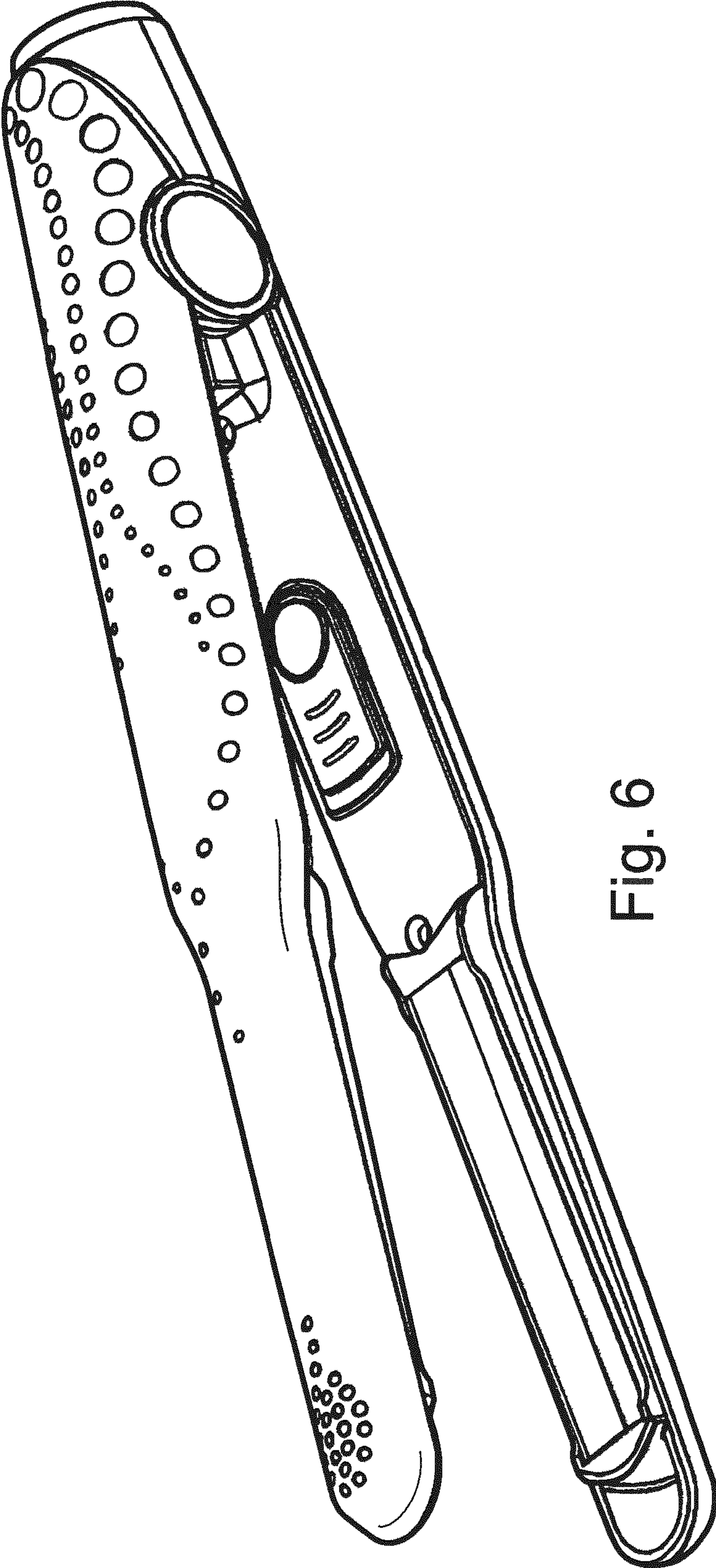


Fig. 6

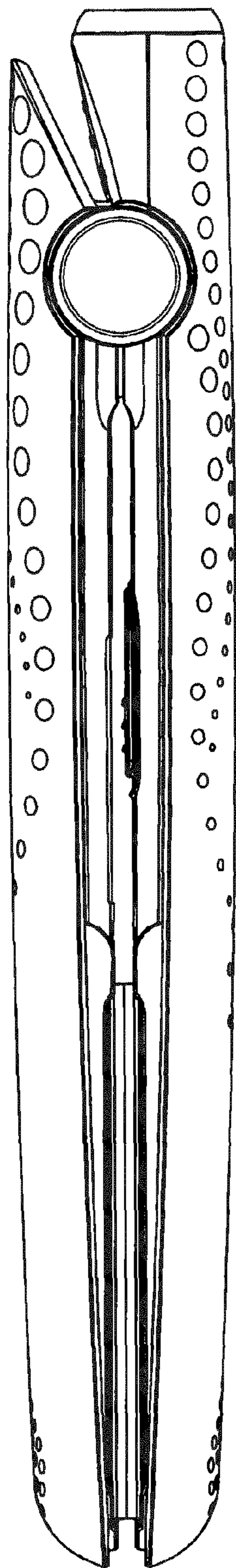


Fig. 7

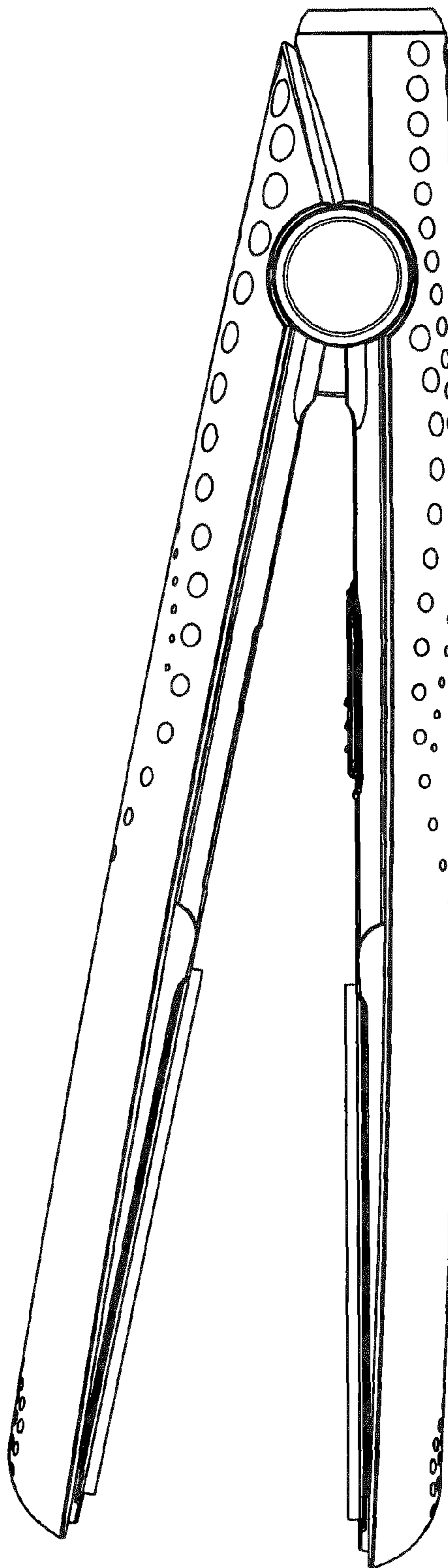


Fig. 8

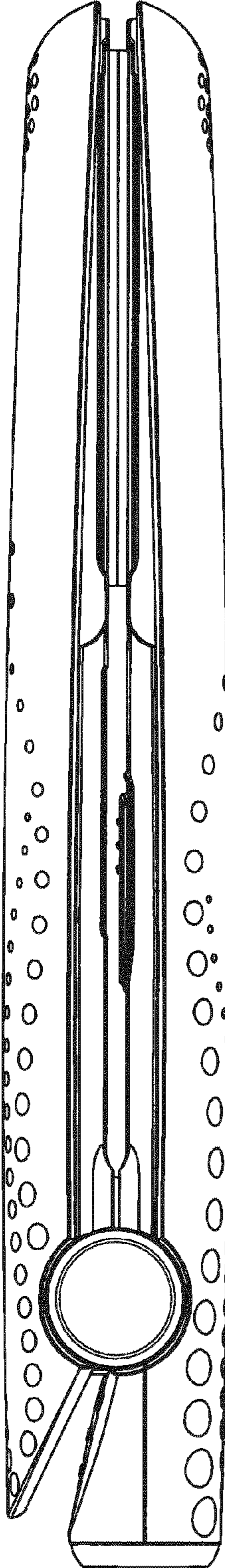


Fig. 9

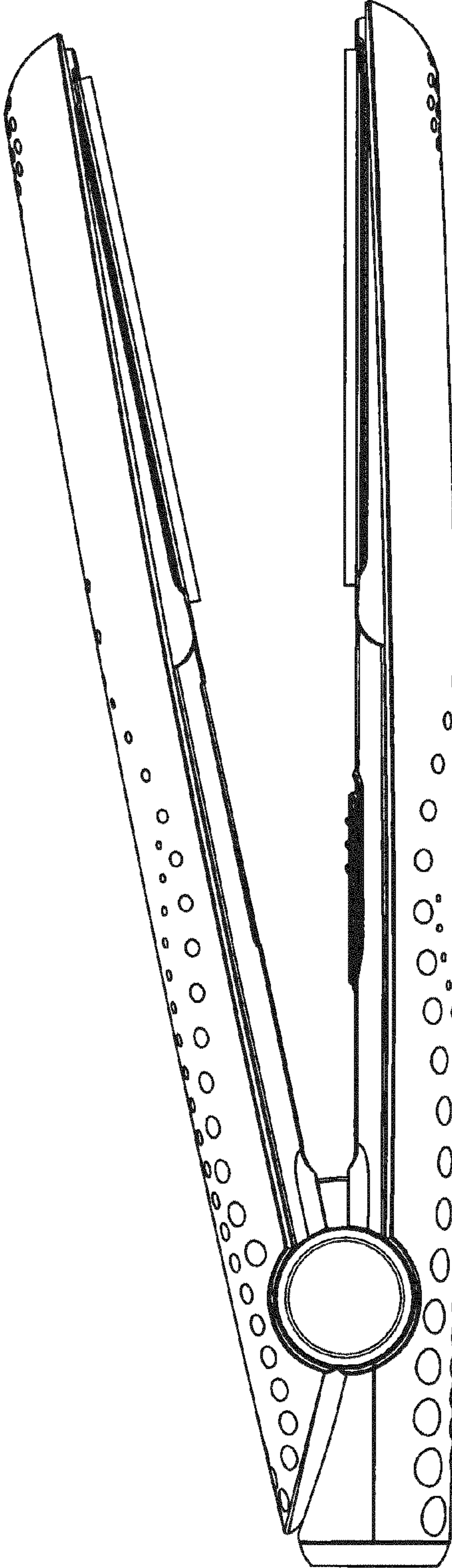


Fig. 10