



US00D650126S

(12) **United States Design Patent**  
**Kong et al.**

(10) **Patent No.:** **US D650,126 S**  
(45) **Date of Patent:** **\*\* Dec. 6, 2011**

(54) **HOLDER FOR A LED LAMP**

(75) Inventors: **Kyung-II Kong**, Seoul (KR); **Han Gyoul Kim**, Seoul (KR); **Hwayoung Kim**, Seoul (KR); **Ji Yeon Hyun**, Seoul (KR)

(73) Assignee: **LG Innotek Co., Ltd.**, Seoul (KR)

(\*\*) Term: **14 Years**

(21) Appl. No.: **29/375,581**

(22) Filed: **Sep. 24, 2010**

(30) **Foreign Application Priority Data**

Mar. 25, 2010 (KR) ..... 30-2010-0012985  
Mar. 25, 2010 (KR) ..... 30-2010-0012989

(51) **LOC (9) Cl.** ..... **26-99**

(52) **U.S. Cl.** ..... **D26/138**

(58) **Field of Classification Search** ..... D26/118,  
D26/138, 2, 24, 26, 28, 37, 74, 142, 152,  
D26/63, 68, 140, 80, 72, 76, 78, 92, 113,  
D26/119, 120, 121, 122, 123, 124, 128, 129,  
D26/130, 145, 147, 153, 154, 155, 65, 71,  
D26/85, 88, 89, 90, 84, 75, 107, 87; 362/394,  
362/364, 365, 147, 418, 293, 362, 326, 290,  
362/249.01-249.11, 148, 396, 287, 275,  
362/276; 250/342, 347; D25/123, 138; 439/111,  
439/121, 122, 119, 120; D13/134, 179, 180,  
D13/133

See application file for complete search history.

(56) **References Cited**

**U.S. PATENT DOCUMENTS**

2,194,841 A 3/1940 Welch  
D132,296 S 5/1942 Hoeveler  
D168,162 S \* 11/1952 Laque ..... D26/51

(Continued)

**FOREIGN PATENT DOCUMENTS**

JP 1011278 6/1998  
(Continued)

**OTHER PUBLICATIONS**

U.S. Office Action in U.S. Appl. No. 29/383,818.  
(Continued)

*Primary Examiner* — Kevin Rudzinski

(74) *Attorney, Agent, or Firm* — Ked & Associates LLP

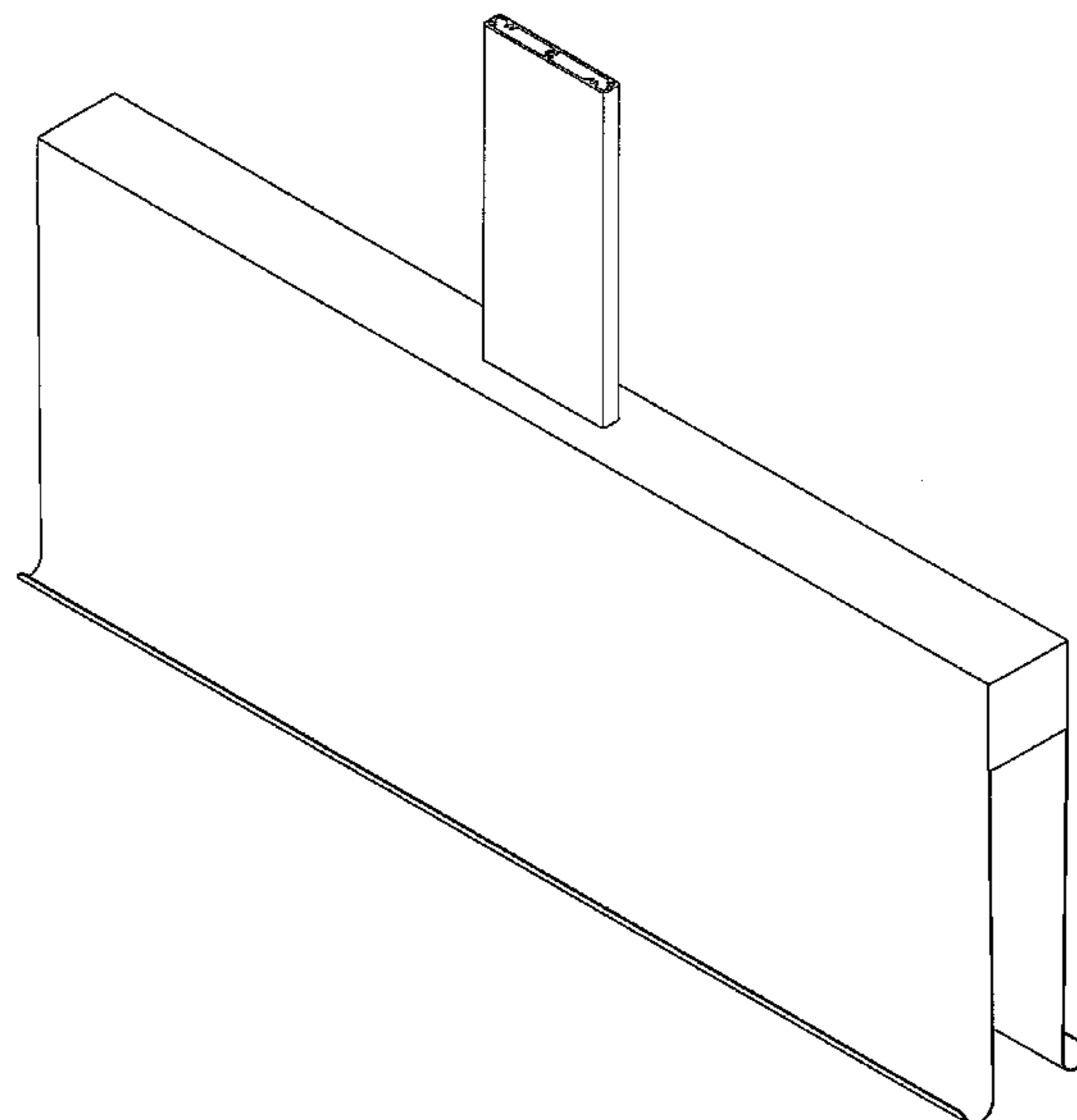
(57) **CLAIM**

The ornamental design for a “holder for a LED lamp,” as shown and described.

**DESCRIPTION**

FIG. 1 is a front perspective view of a holder for a LED lamp according to an embodiment;  
FIG. 2 is a front view of the holder for a LED lamp of FIG. 1;  
FIG. 3 is a rear view of the holder for a LED lamp of FIG. 1;  
FIG. 4 is a left side view of the holder for a LED lamp of FIG. 1;  
FIG. 5 is a right side view of the holder for a LED lamp of FIG. 1;  
FIG. 6 is a top view of the holder for a LED lamp of FIG. 1;  
FIG. 7 is a bottom view of the holder for a LED lamp of FIG. 1;  
FIG. 8 is a front perspective view of the holder for a LED lamp of FIG. 1 shown in use with a work station and computer desk; and,  
FIG. 9 is a front perspective view of the holder for a LED lamp of FIG. 1 shown in use with a LED lamp.  
The broken line illustration of a work station, computer desk and LED lamp in FIGS. 8 and 9 illustrate environmental structure and forms no part of the claimed design.

**1 Claim, 9 Drawing Sheets**



# US D650,126 S

Page 2

## U.S. PATENT DOCUMENTS

2,741,694 A 4/1956 Thomstad et al.  
3,125,301 A 3/1964 Stotter  
3,307,026 A \* 2/1967 Kramer ..... 362/191  
D224,139 S \* 7/1972 Annichini ..... D26/109  
3,992,618 A \* 11/1976 Matthews et al. .... 362/396  
D271,045 S \* 10/1983 Tamblyn ..... D26/93  
D281,725 S \* 12/1985 Schreiner ..... D26/93  
4,933,821 A 6/1990 Anderson  
D316,613 S 4/1991 Stein  
D318,536 S \* 7/1991 Jones et al. .... D26/138  
D337,011 S \* 7/1993 Duffy et al. .... D6/513  
5,400,992 A \* 3/1995 Pohl ..... 248/231.81  
5,414,604 A 5/1995 Anderson  
D376,031 S \* 11/1996 Burch ..... D26/138  
5,906,064 A \* 5/1999 Field ..... 40/607.11  
6,053,624 A 4/2000 Cronk  
6,203,175 B1 \* 3/2001 Basacchi ..... 362/287  
6,231,209 B1 5/2001 Leibig et al.

6,275,634 B1 \* 8/2001 Potucek ..... 385/115  
D461,022 S \* 7/2002 Eberlein et al. .... D26/118  
D490,927 S 6/2004 Keller  
D544,134 S \* 6/2007 Onyszko ..... D26/106  
D544,138 S 6/2007 Hargreaves  
D545,996 S 7/2007 Hargreaves  
D582,598 S \* 12/2008 Kramer et al. .... D26/85  
D582,602 S 12/2008 Maxik et al.  
D627,095 S 11/2010 Miyairi et al.  
2005/0007778 A1 \* 1/2005 Lin ..... 362/250  
2006/0150479 A1 \* 7/2006 Saunders et al. .... 47/33

## FOREIGN PATENT DOCUMENTS

JP 1323089 3/2008

## OTHER PUBLICATIONS

Japanese Office Action dated May 13, 2011. (2010-022935).

\* cited by examiner

FIGURE 1

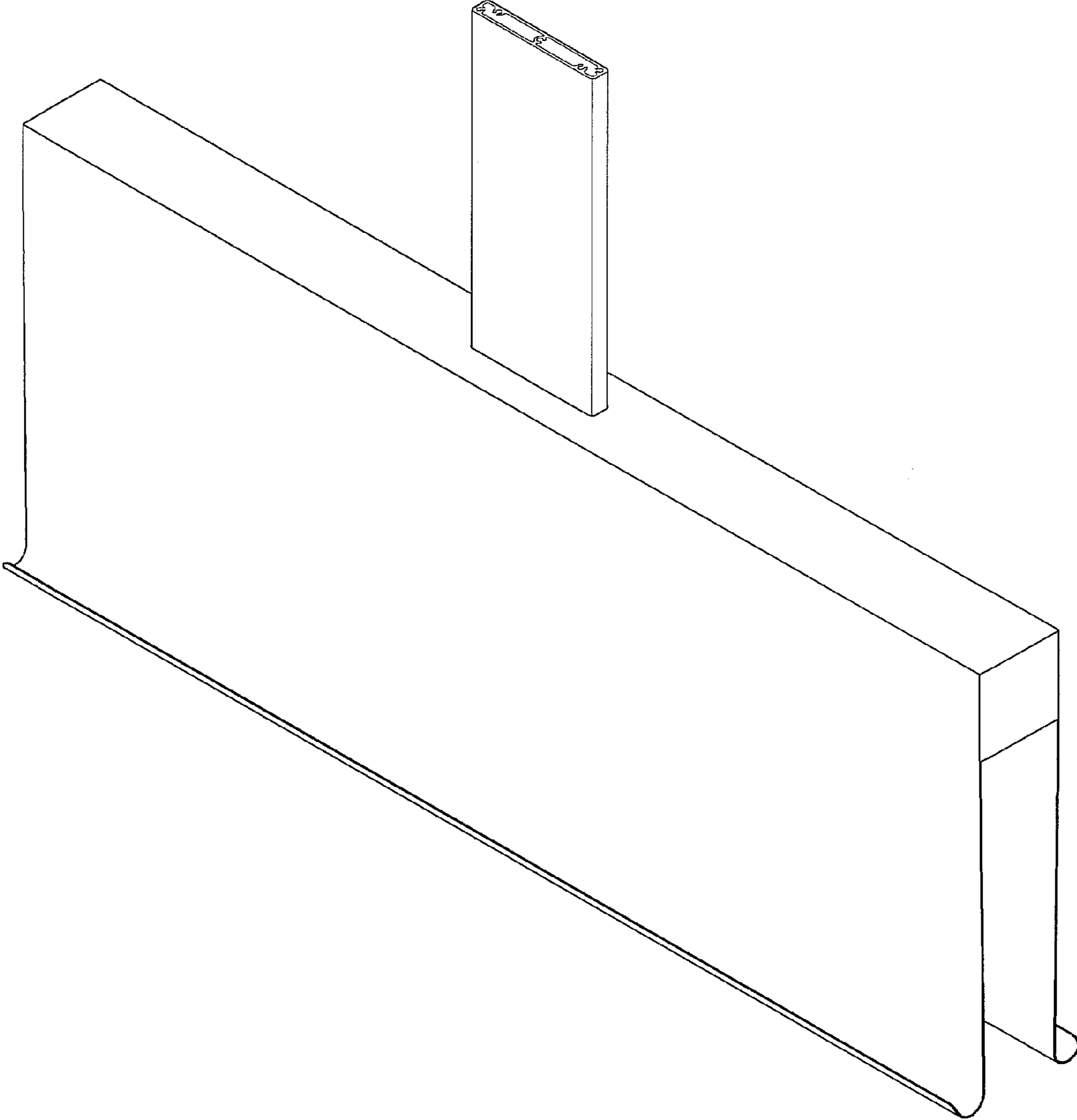


FIGURE 2

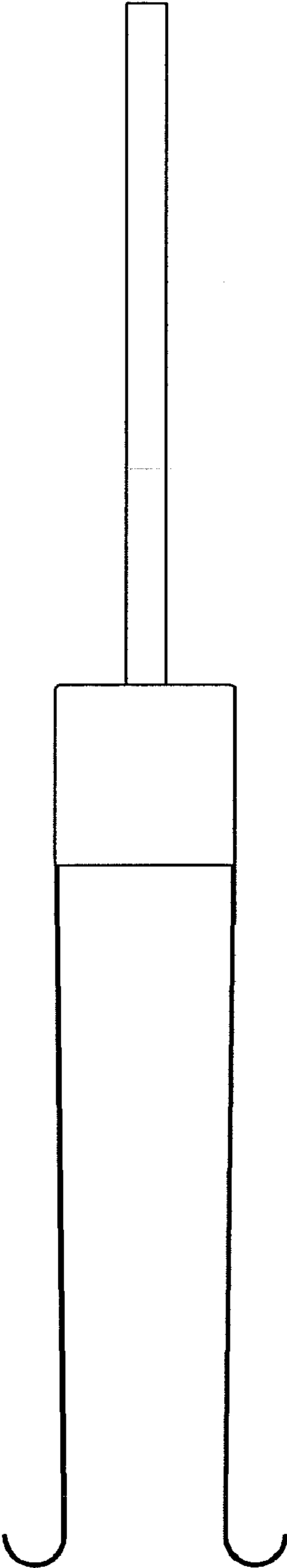


FIGURE 3

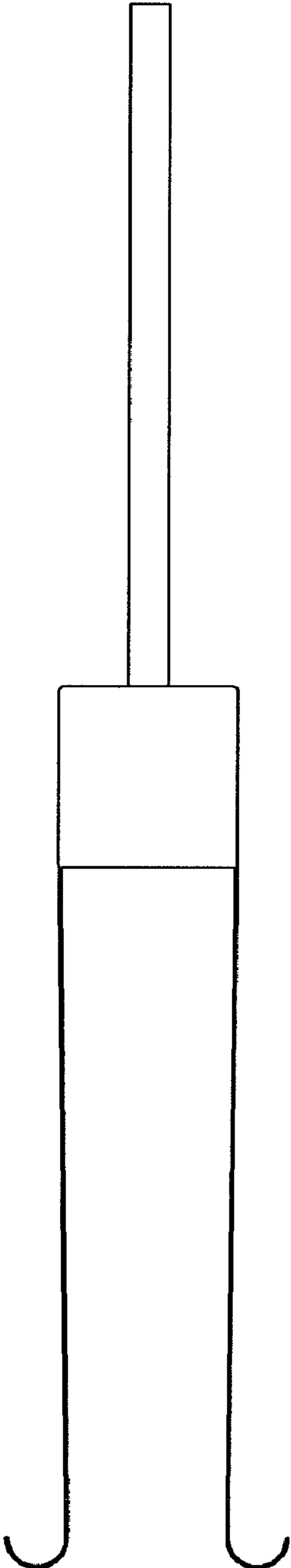


FIGURE 4

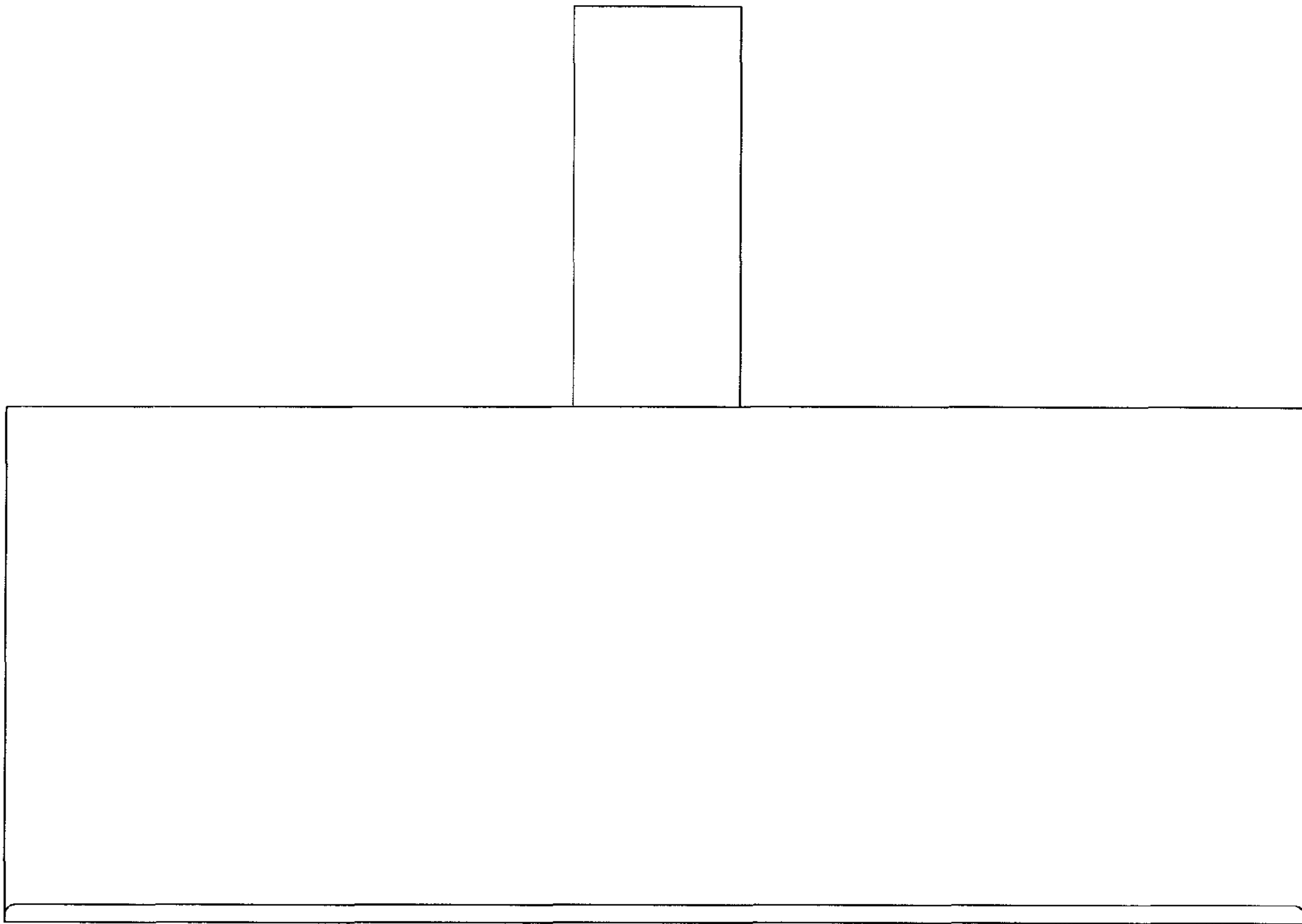


FIGURE 5

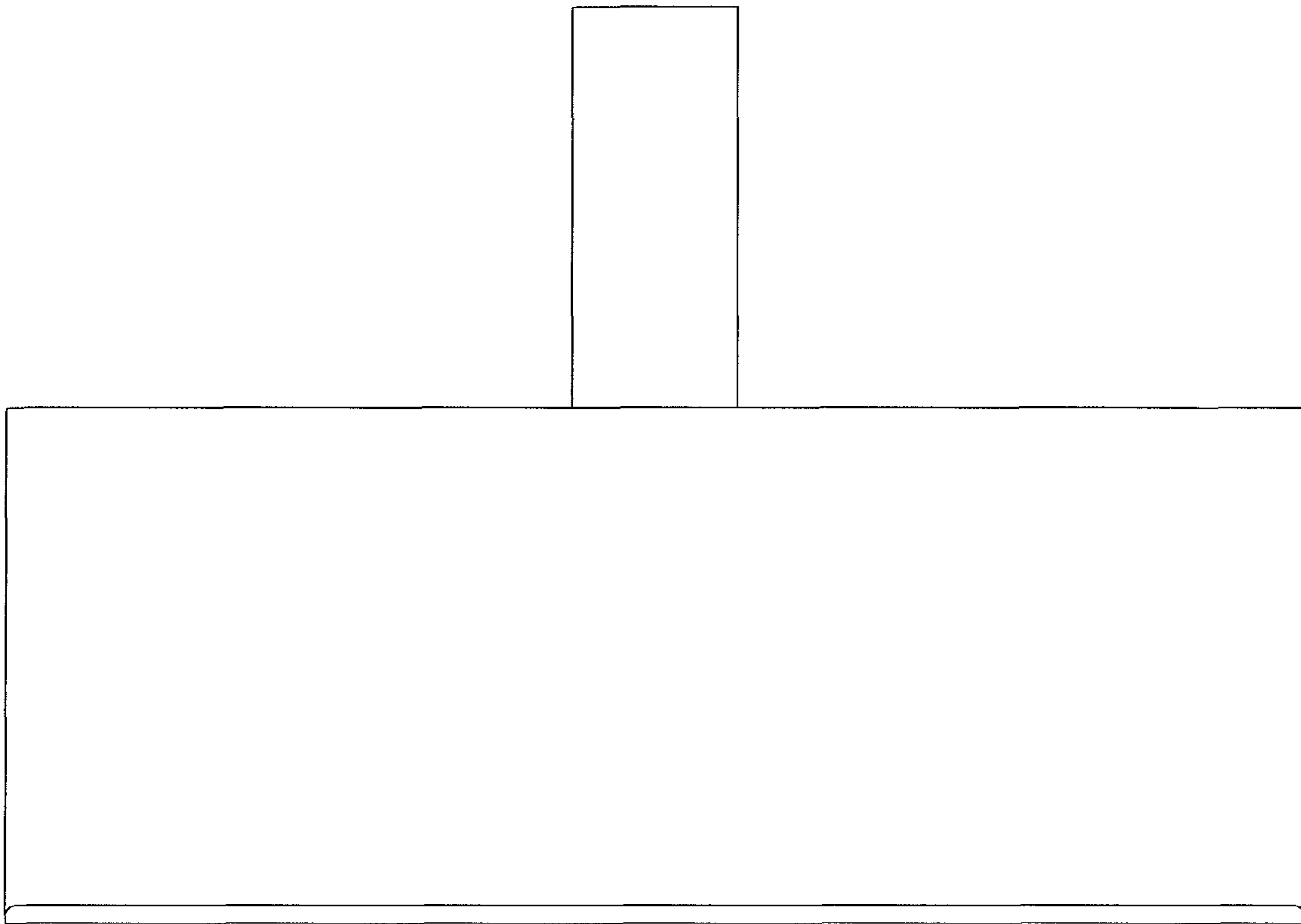


FIGURE 6

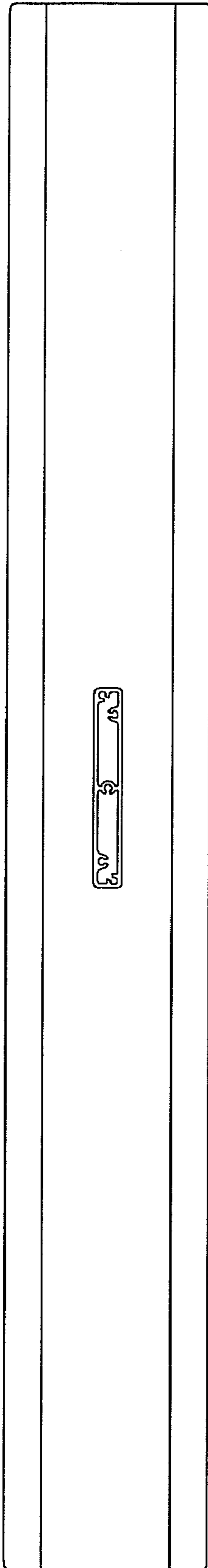




FIGURE 7

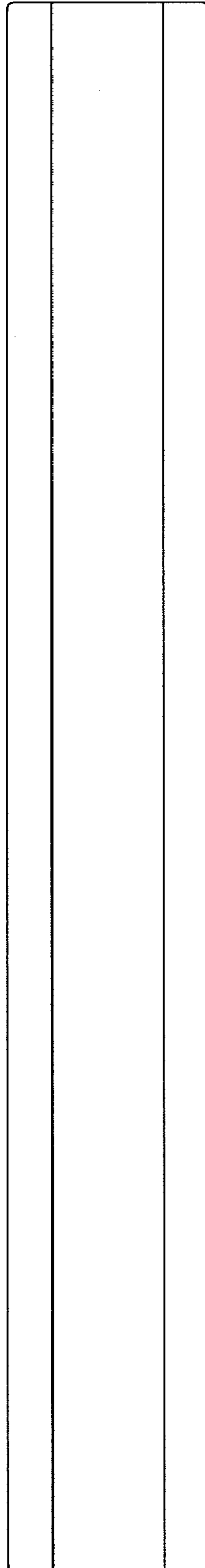


FIGURE 8

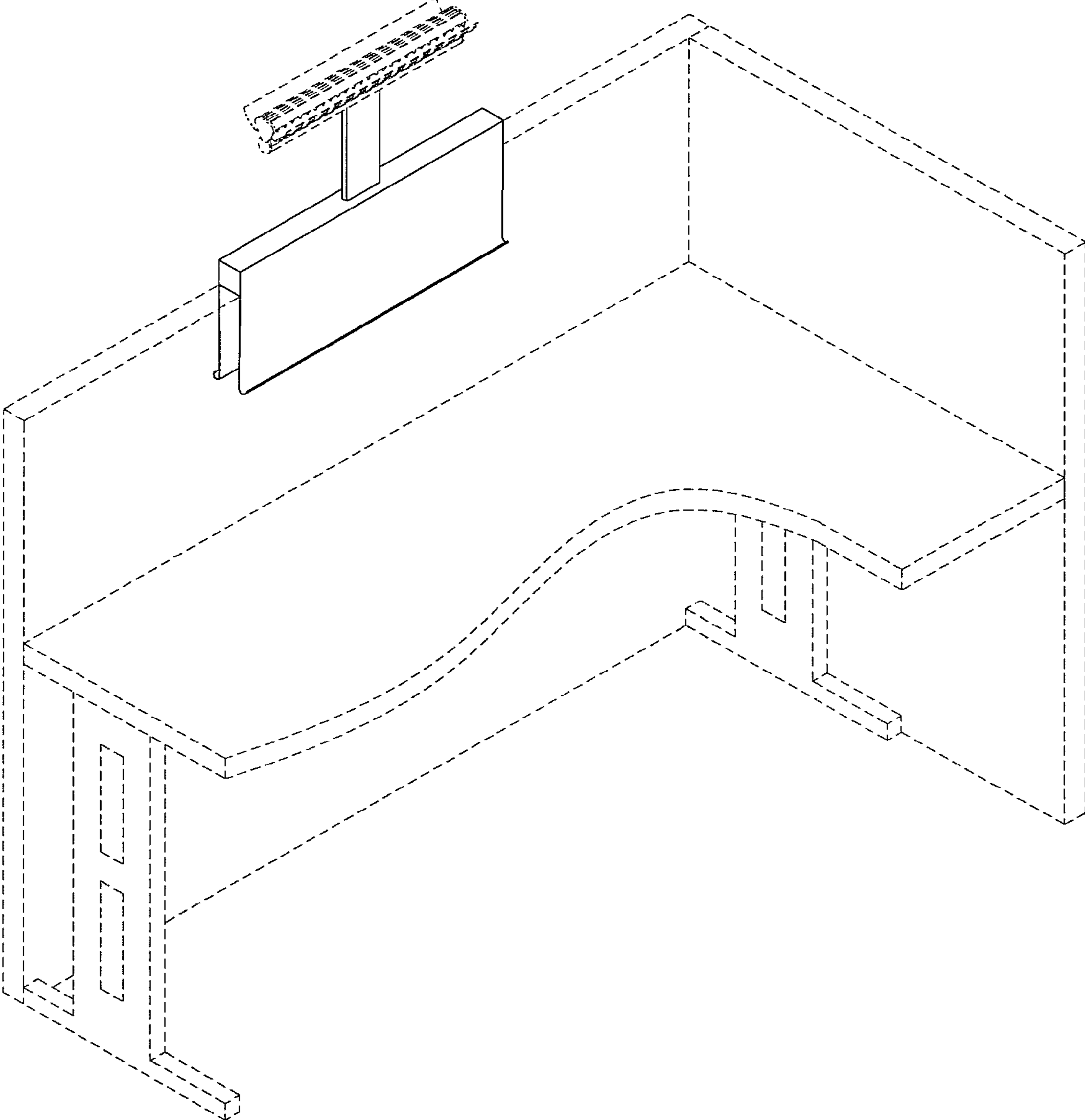


FIGURE 9

