



US00D650122S

(12) **United States Design Patent**
Chen

(10) **Patent No.:** **US D650,122 S**
(45) **Date of Patent:** **** Dec. 6, 2011**

(54) **SOLAR CANDLE LIGHT MOSAIC LENS**

(75) Inventor: **Chi Gon Chen**, Guang Zhou (CN)

(73) Assignee: **International Development LLC**,
Roanoke, TX (US)

(**) Term: **14 Years**

(21) Appl. No.: **29/379,356**

(22) Filed: **Nov. 18, 2010**

(51) **LOC (9) Cl.** **26-99**

(52) **U.S. Cl.** **D26/130**

(58) **Field of Classification Search** D26/125,
D26/49, 46, 37, 118, 71, 92, 85, 87, 128,
D26/63, 65, 88, 76, 120, 113, 119, 138, 2,
D26/67, 72, 93, 123, 129, 130, 24, 107, 108,
D26/62, 109, 51, 127, 122, 131, 140, 141,
D26/142, 143, 144, 145, 58, 60, 68; 362/101,
362/34, 346, 223, 294, 549, 109, 190, 192,
362/249.01-249.11, 98, 99, 16, 17, 18, 19;
D13/179, 180; D23/411; 424/401, 402,
424/403, 404, 405; D8/353; 248/158, 122.1;
D25/124; D16/135, 131, 244, 136; D15/90;
359/801, 802, 807, 812; 119/245, 246, 247,
119/253, 256, 266

See application file for complete search history.

(56) **References Cited**

U.S. PATENT DOCUMENTS

D56,715 S *	11/1920	Thompson	D10/121
1,502,304 A *	7/1924	Gaines	362/414
D73,631 S *	10/1927	Wolter	D26/24
D80,849 S *	4/1930	Miller	D26/128
D92,538 S *	6/1934	Johnson et al.	D26/135
D343,021 S *	1/1994	Compton et al.	D26/74
D439,693 S *	3/2001	Milicia	D26/68
D443,941 S *	6/2001	Boeckley	D26/67
D444,263 S *	6/2001	Dolan	D26/130
D444,908 S *	7/2001	Dolan	D26/130

D459,018 S *	6/2002	Dolan	D26/102
D459,831 S *	7/2002	Dolan	D26/118
D500,570 S *	1/2005	Tsai	D26/87
D506,017 S *	6/2005	Chen	D26/40
D530,027 S *	10/2006	Yu	D25/103
D547,469 S *	7/2007	Flores	D26/9
D592,791 S *	5/2009	Sabernig	D26/84
D593,702 S *	6/2009	Sabernig	D26/88
D601,746 S *	10/2009	Sabernig	D26/120
D604,448 S *	11/2009	Sabernig	D26/89
D615,684 S *	5/2010	Chen	D26/68

* cited by examiner

Primary Examiner — Cathron Brooks

Assistant Examiner — Kevin Rudzinski

(74) *Attorney, Agent, or Firm* — Brian Harris

(57) **CLAIM**

The ornamental design for a solar candle light mosaic lens, as shown and described.

DESCRIPTION

FIG. 1 is an isometric view of the solar candle light mosaic lens of the present invention;

FIG. 2 is an exploded bottom perspective view thereof, with a light insert showing in phantom;

FIG. 3 is a bottom perspective view thereof, with a light insert showing in phantom;

FIG. 4 is a side elevation view thereof, with a light insert showing in phantom;

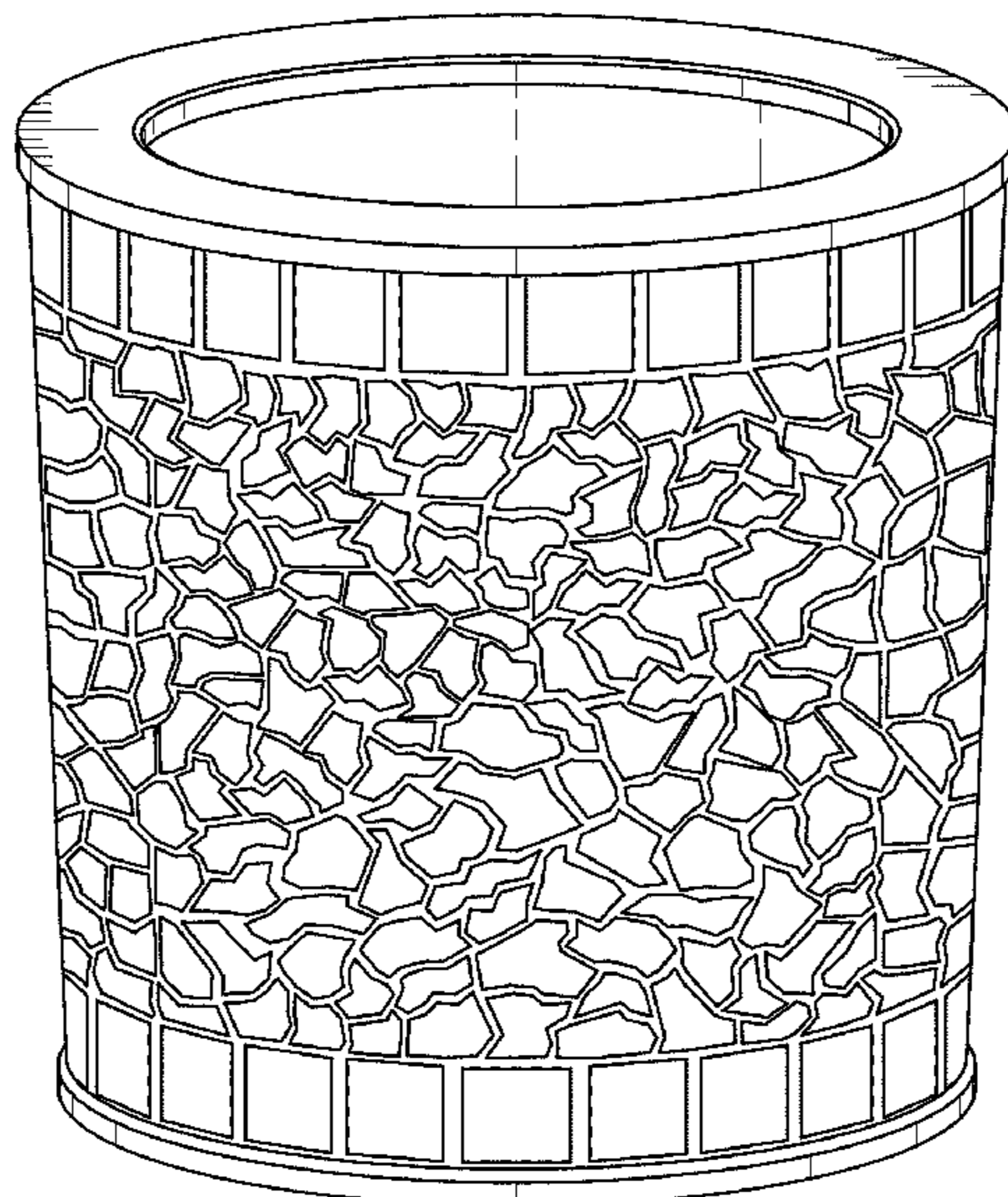
FIG. 5 is a bottom plan view thereof, with a light insert showing in phantom;

FIG. 6 is a bottom plan view thereof with the light insert removed; and,

FIG. 7 is a top plan view thereof, with a light insert showing in phantom.

The broken line showing of unclaimed inner portions of the solar candle light mosaic lens and a light insert illustrates environmental structure and forms no part of the claimed design.

1 Claim, 6 Drawing Sheets



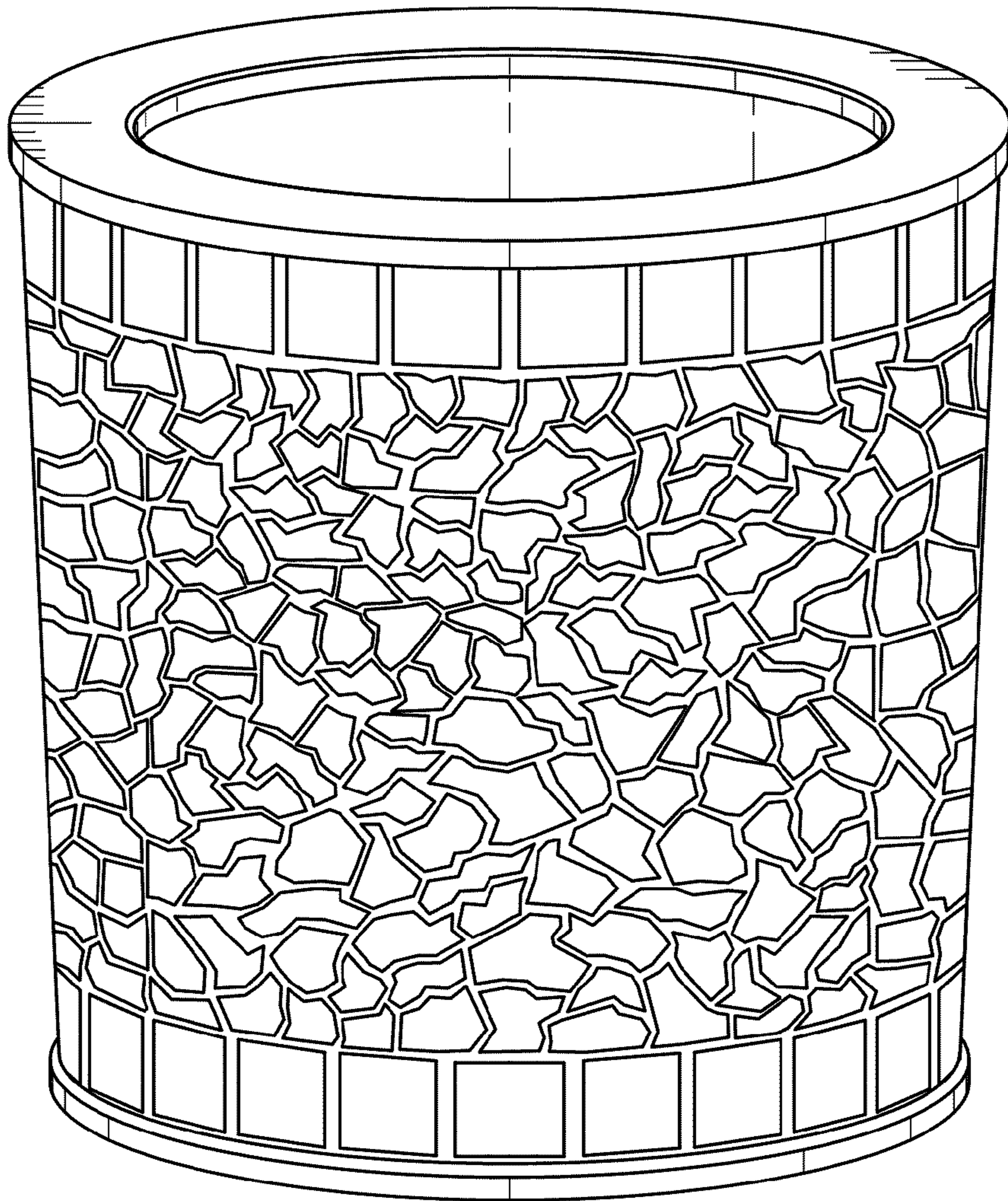


FIG. 1

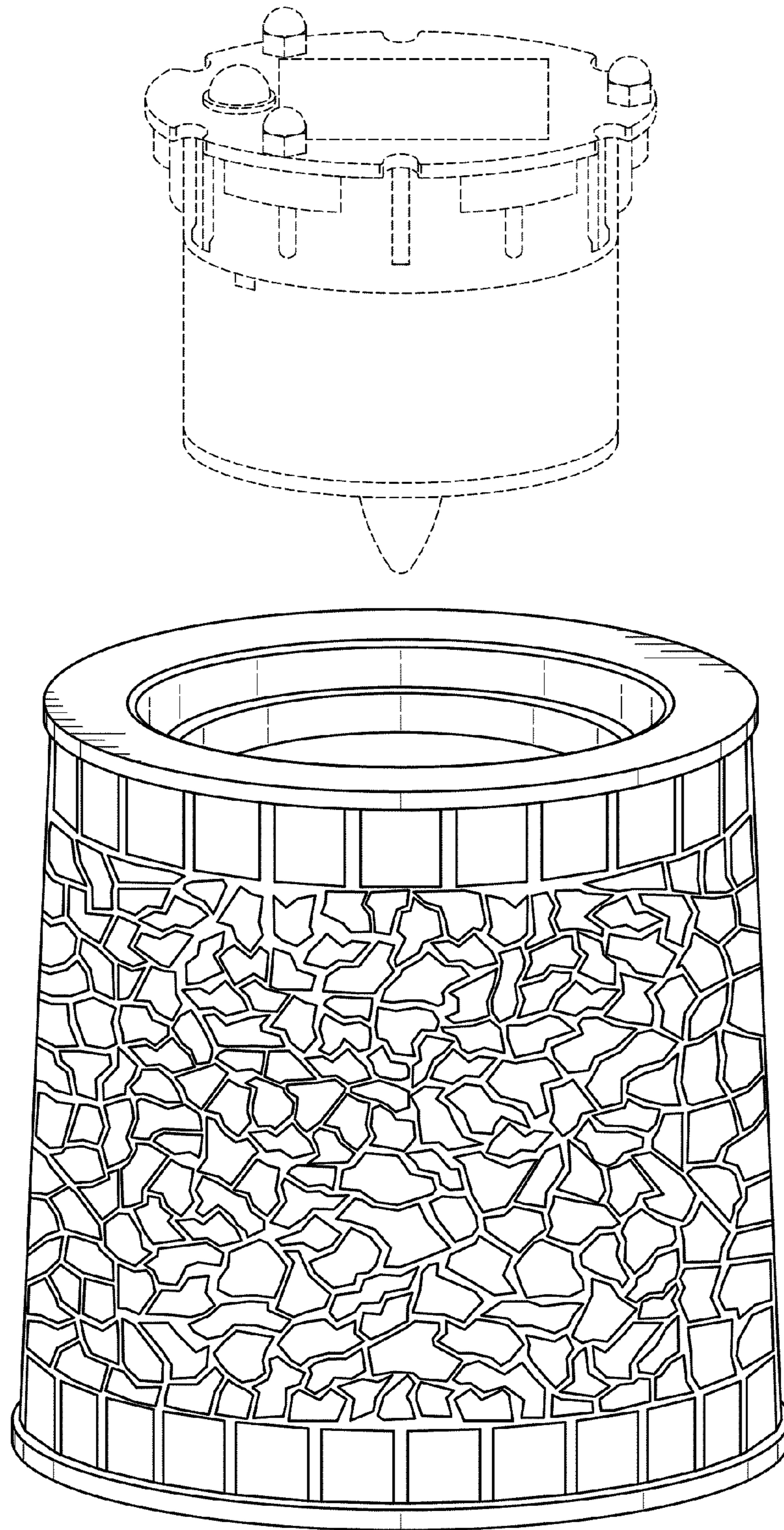


FIG. 2

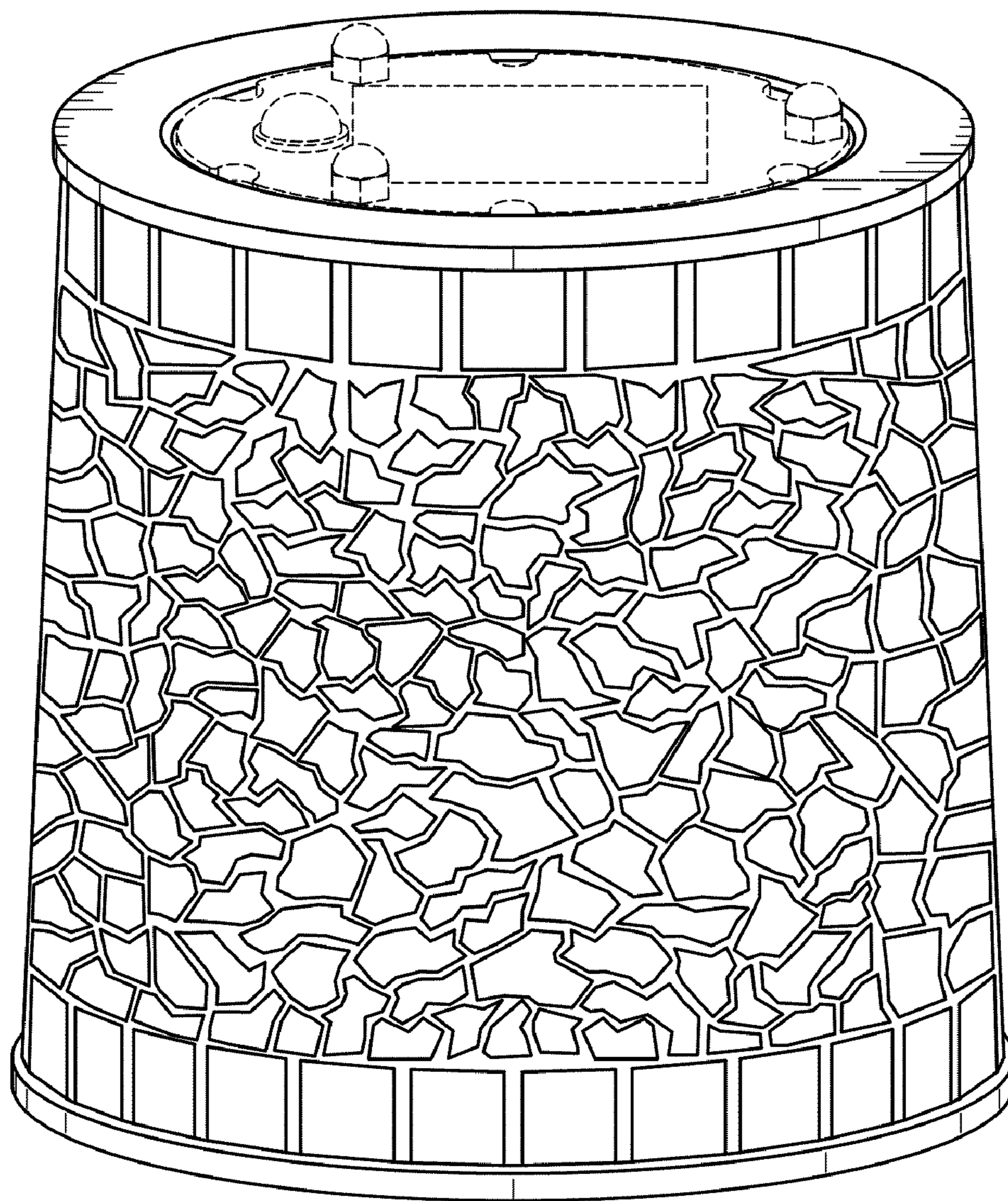


FIG. 3

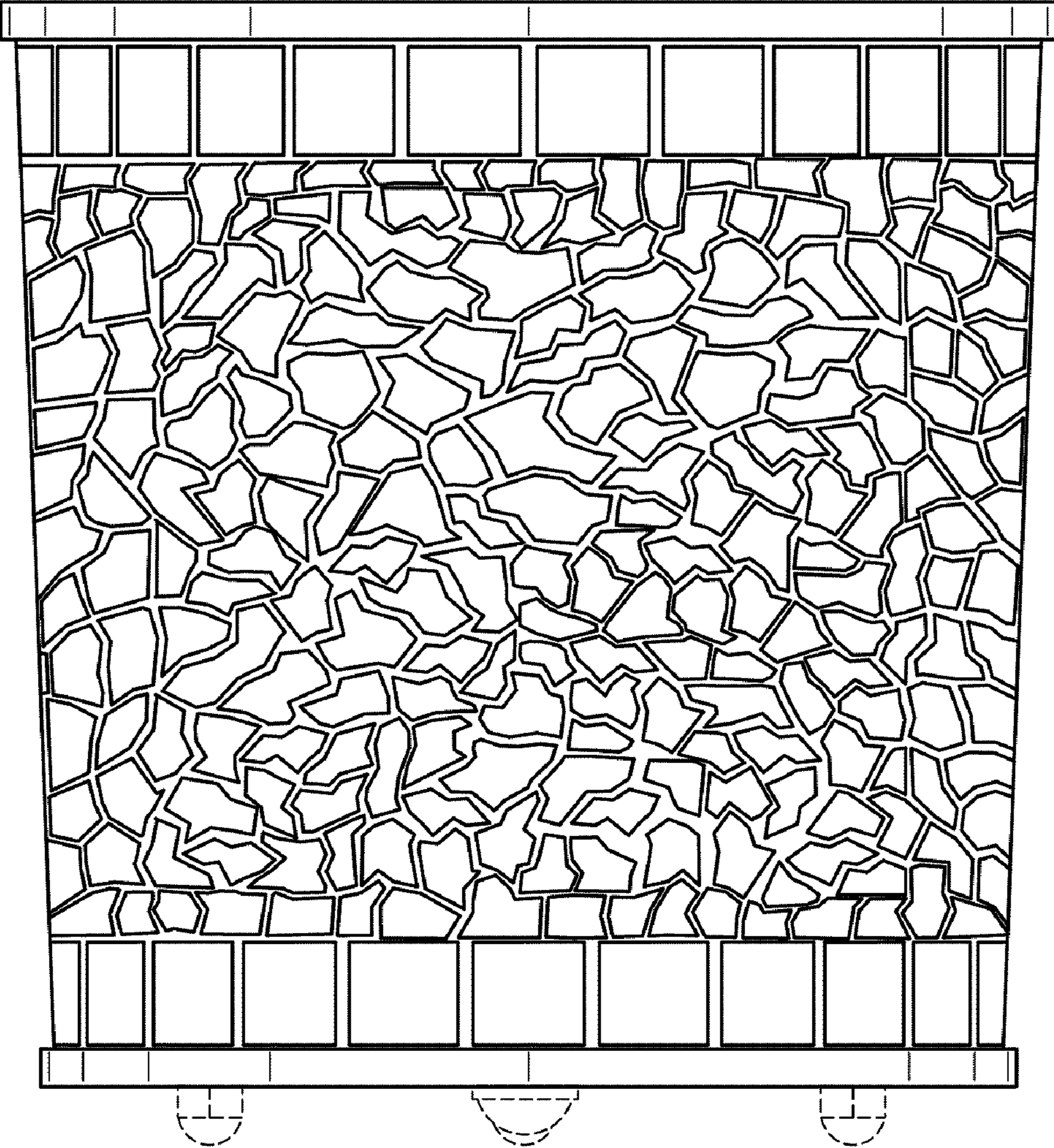


FIG. 4

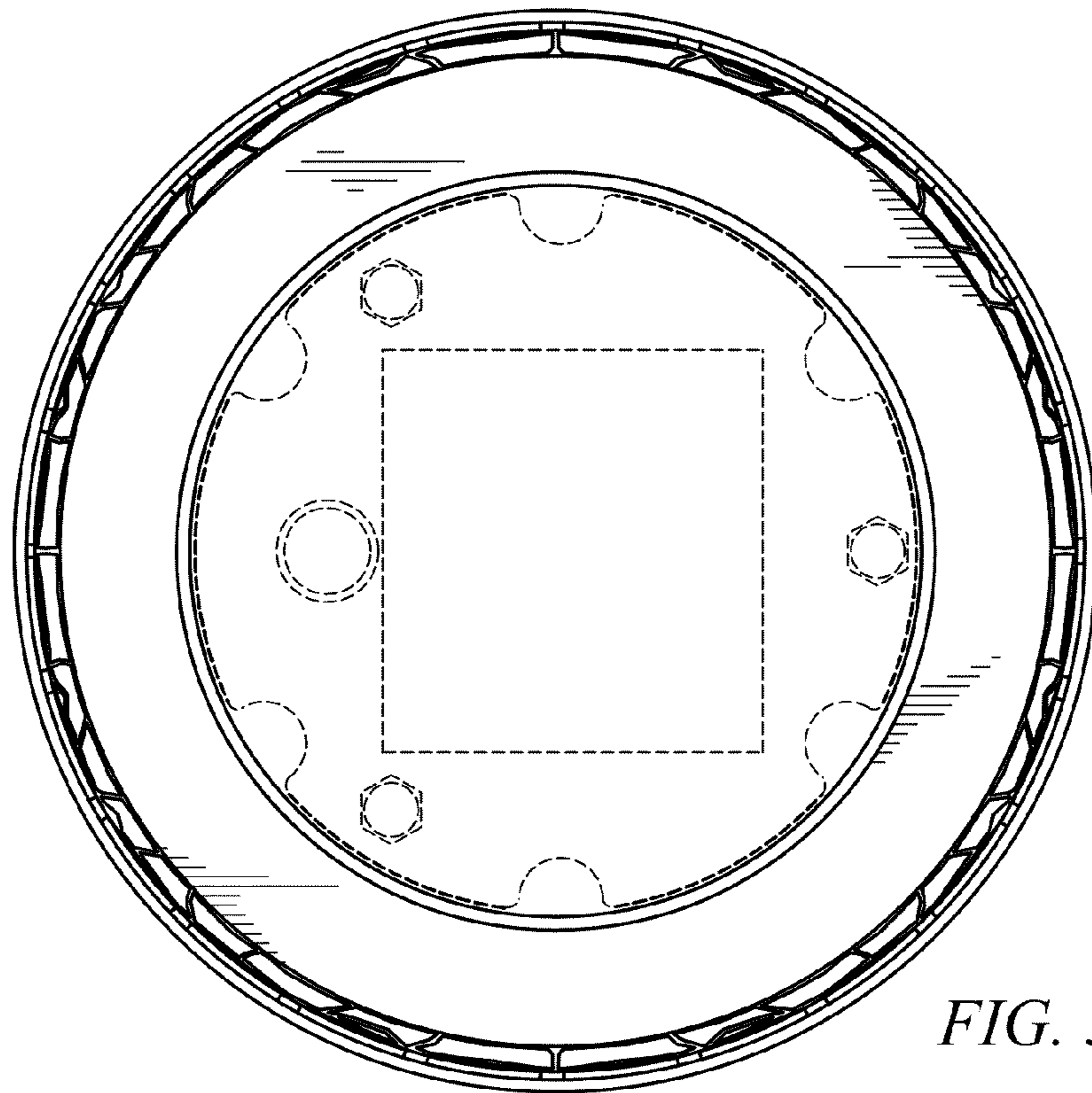


FIG. 5

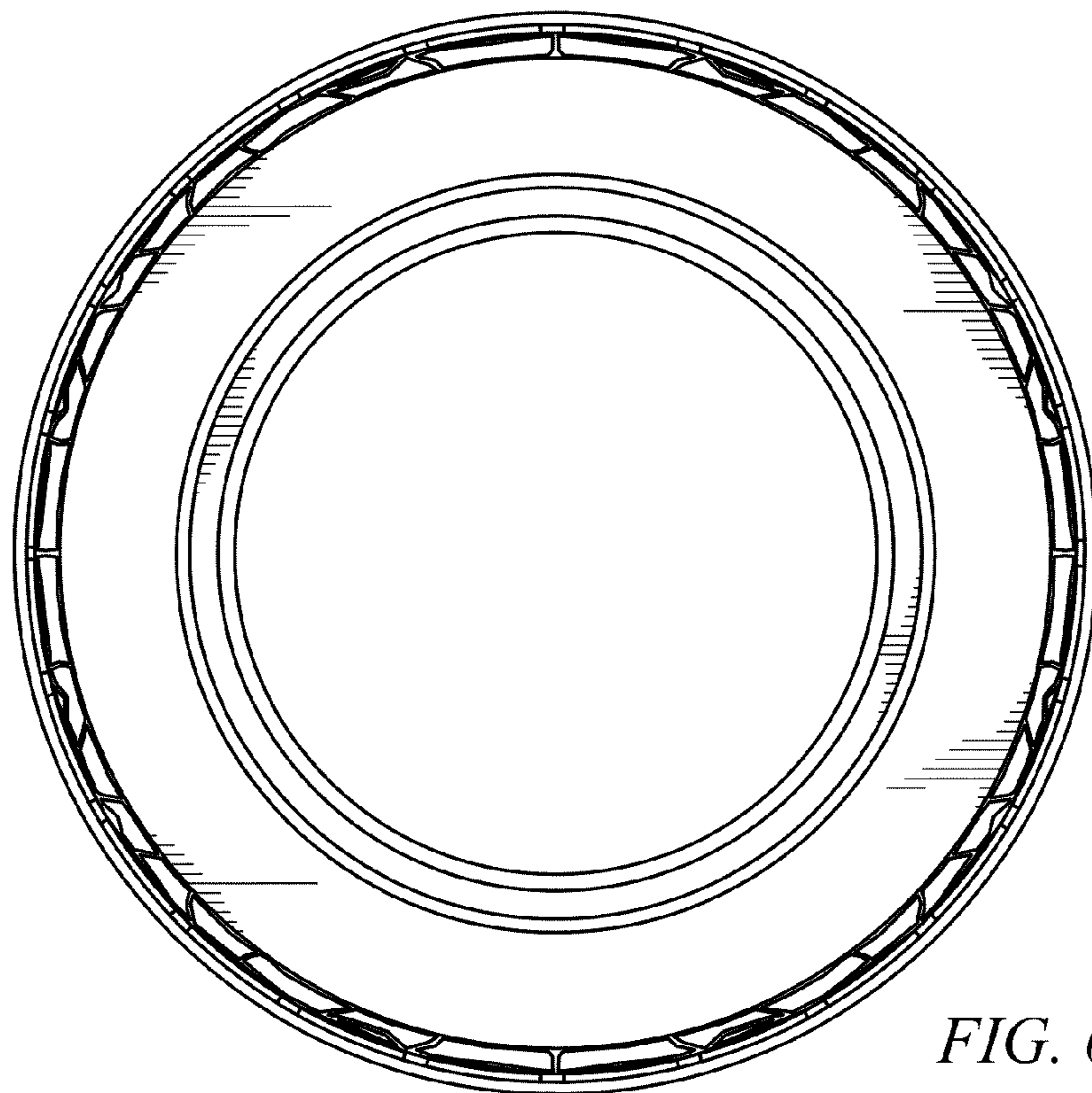


FIG. 6

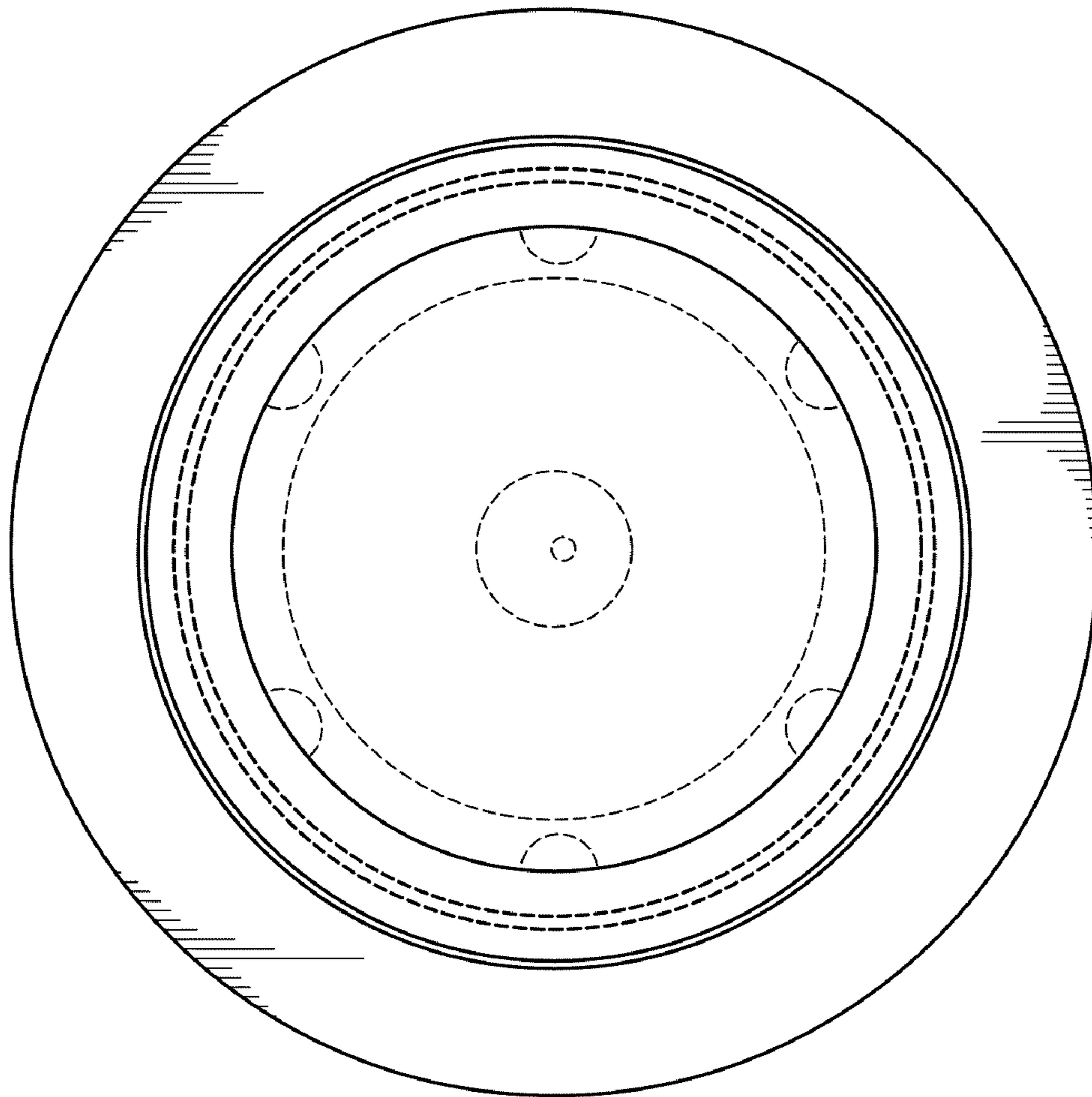


FIG. 7