

US00D650117S

(12) **United States Design Patent**
Lu

(10) **Patent No.:** **US D650,117 S**
(45) **Date of Patent:** **** Dec. 6, 2011**

(54) **LAMPSHADE**

(76) Inventor: **James Lu**, Guangdong Province (CN)

(**) Term: **14 Years**

(21) Appl. No.: **29/380,026**

(22) Filed: **Nov. 29, 2010**

(51) **LOC (9) Cl.** **26-99**

(52) **U.S. Cl.** **D26/118**

(58) **Field of Classification Search** D26/125,
D26/49, 46, 37, 118, 71, 92, 85, 87, 128,
D26/63, 65, 88, 76, 120, 113, 119, 138, 2,
D26/67, 72, 93, 123, 129, 130, 24, 107, 108,
D26/62, 109, 51, 127, 122, 131, 140, 141,
D26/142, 143, 144, 145, 58, 60, 68; 362/101,
362/34, 346, 223, 294, 549, 109, 190, 192,
362/249.01-249.11, 98, 99, 16, 17, 18, 19;
D13/179, 180; D23/411; 424/401, 402,
424/403, 404, 405; D8/353; 248/158, 122.1;
D25/124; D16/135, 131, 244, 136; D15/90;
359/801, 802, 807, 812; 119/245, 246, 247,
119/253, 256, 266

See application file for complete search history.

(56) **References Cited**

U.S. PATENT DOCUMENTS

D442,371 S * 5/2001 Eberts D6/312
D463,054 S * 9/2002 Huang D26/60
D474,556 S * 5/2003 Huang D26/60
D482,813 S * 11/2003 Waldmann D26/61
D490,553 S * 5/2004 Waldmann D26/61

D505,219 S * 5/2005 Jacquelin D26/51
D520,543 S * 5/2006 Welch D16/131
D526,340 S * 8/2006 Hodgson D16/135
D526,673 S * 8/2006 Hodgson D16/135
7,400,459 B2 * 7/2008 Welch 359/802
D597,238 S * 7/2009 Lu et al. D26/61
D597,239 S * 7/2009 Hodgson D26/65
D597,240 S * 7/2009 Hodgson D26/65
D628,339 S * 11/2010 Lu et al. D26/118
D628,739 S * 12/2010 Lu et al. D26/113
2009/0009891 A1 * 1/2009 Chen et al. 359/802

* cited by examiner

Primary Examiner — Kevin Rudzinski

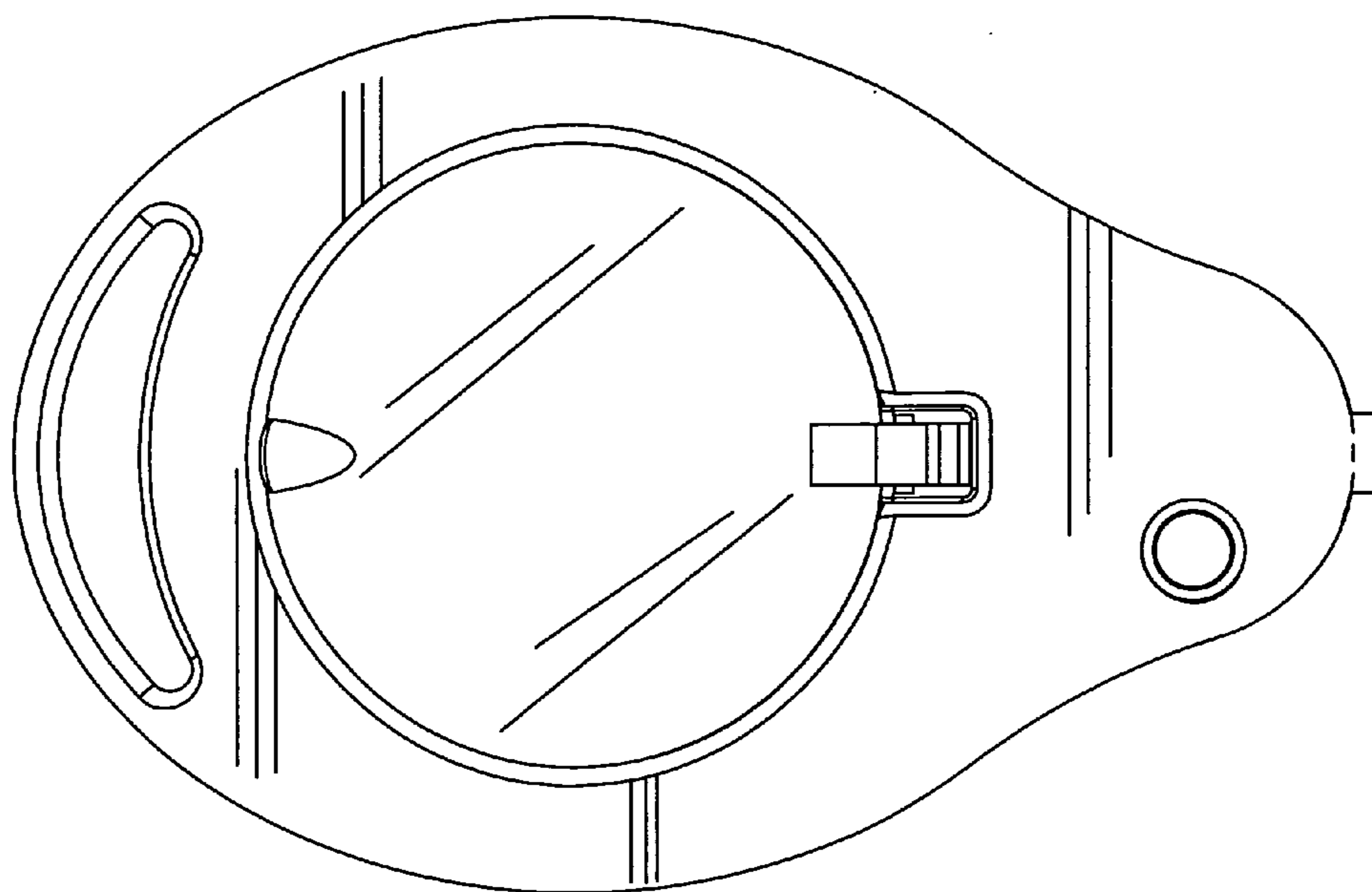
(57) **CLAIM**

The ornamental design for a lampshade, as shown and described.

DESCRIPTION

FIG. 1 is a front elevational view of a lampshade showing my new design;
FIG. 2 is a rear elevational view thereof;
FIG. 3 is a left side view thereof;
FIG. 4 is a right side view thereof;
FIG. 5 is a top plan view thereof;
FIG. 6 is a bottom plan view thereof; and,
FIG. 7 is a perspective thereof.
The broken lines in the drawings showing unclaimed portions of the lampshade form no part of the claimed design.

1 Claim, 5 Drawing Sheets



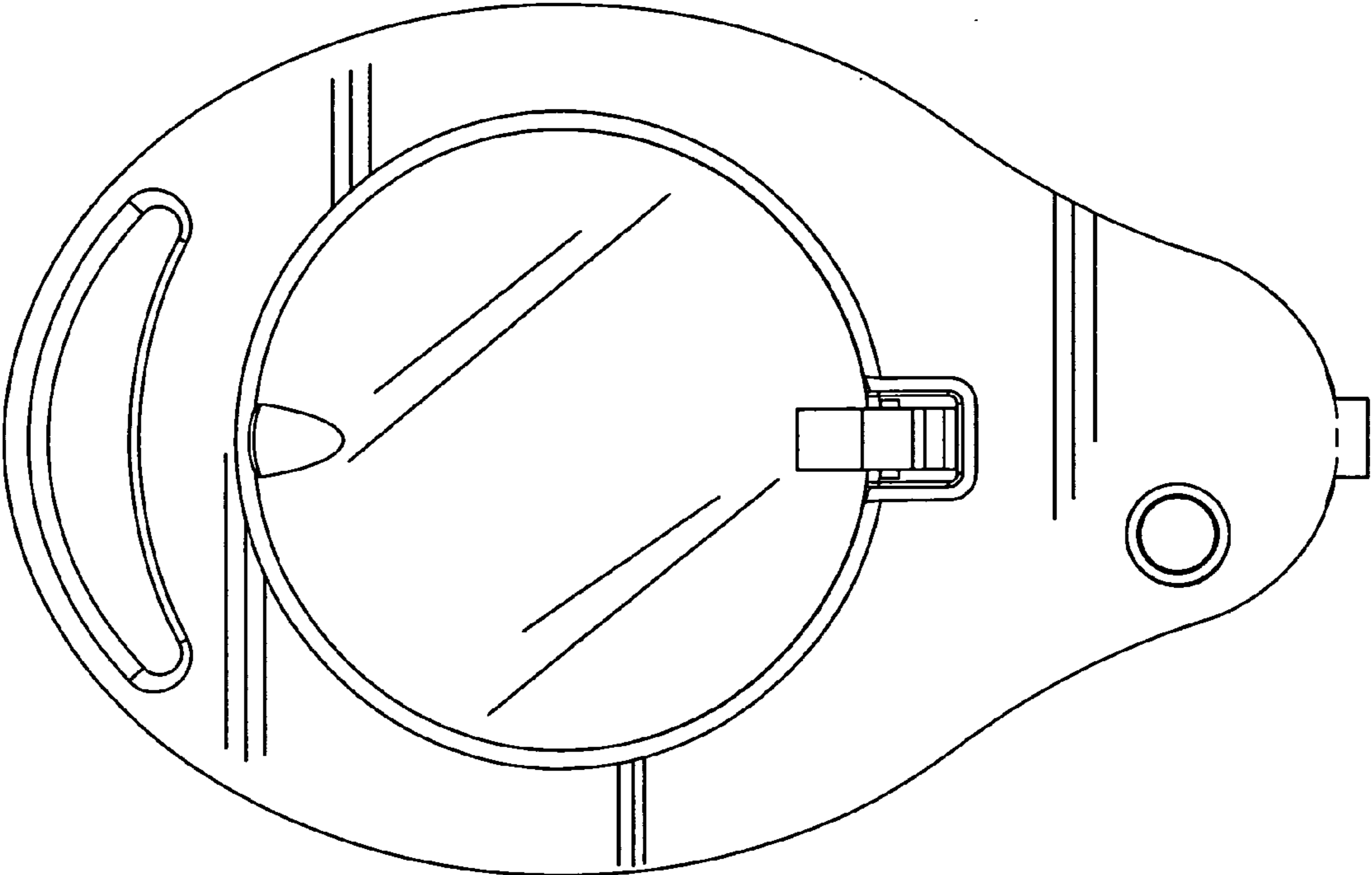


FIG. 1

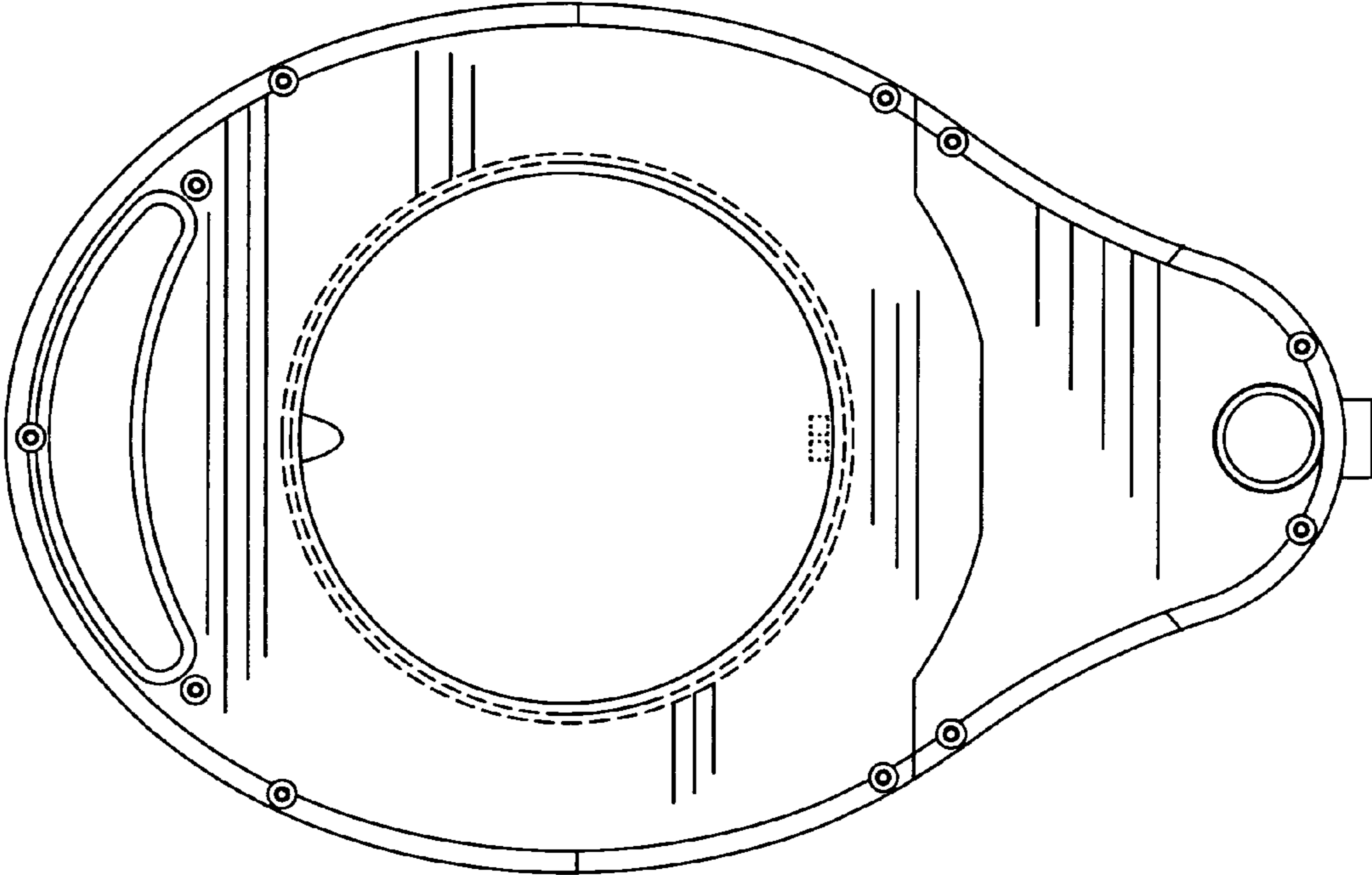


FIG. 2

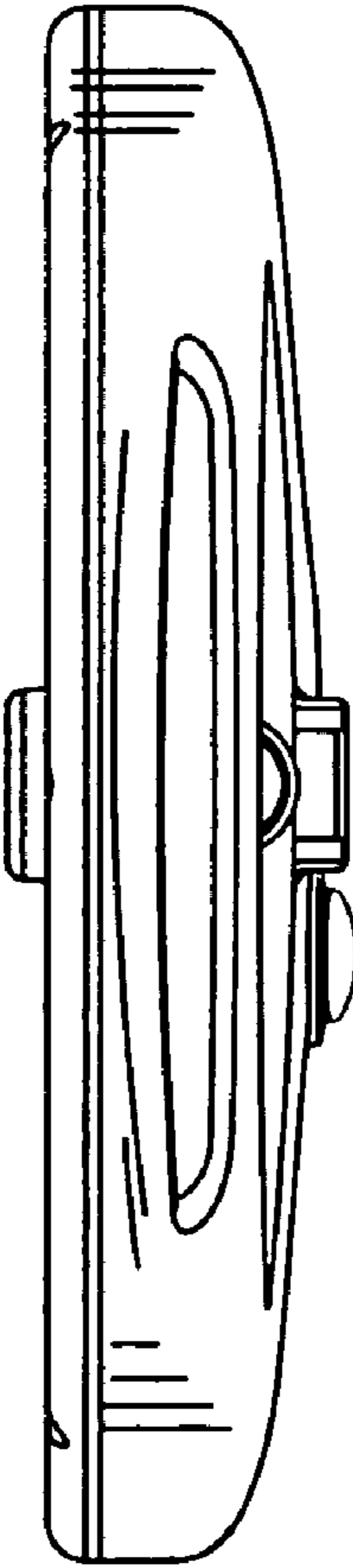


FIG. 3

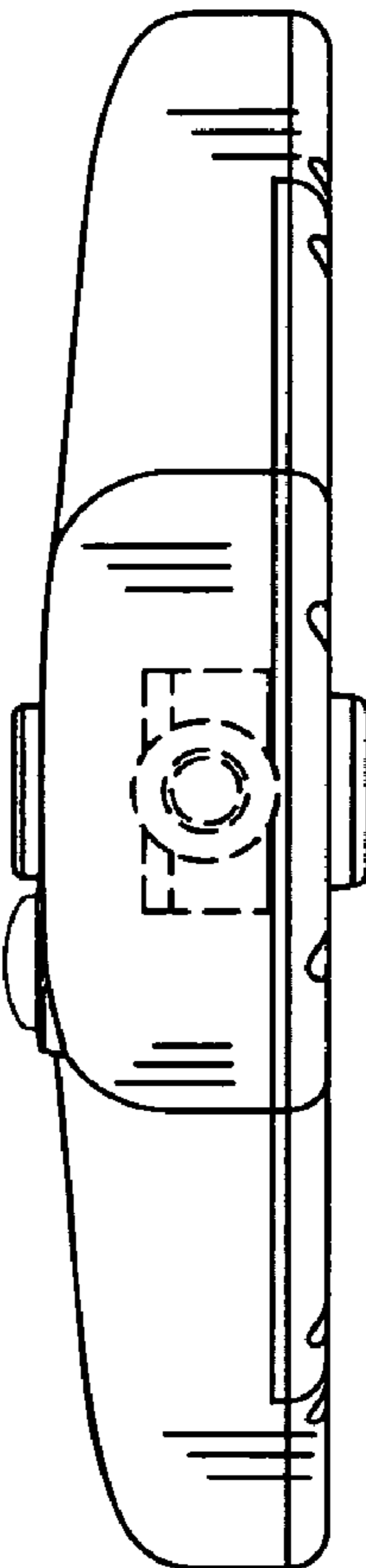


FIG. 4

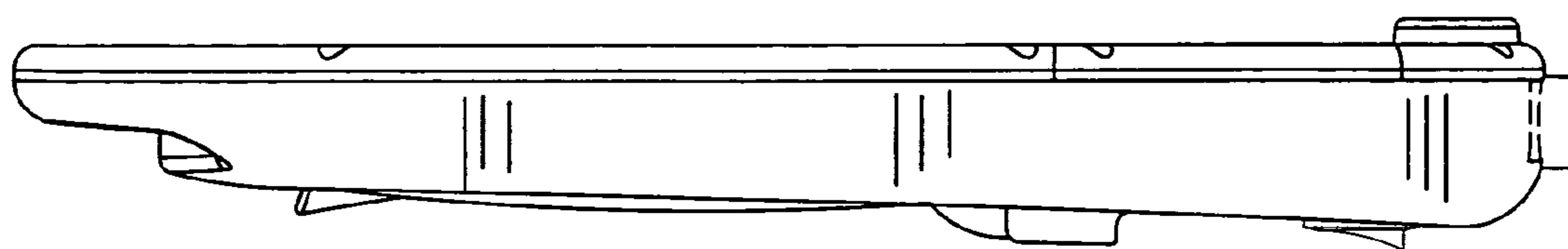


FIG. 5

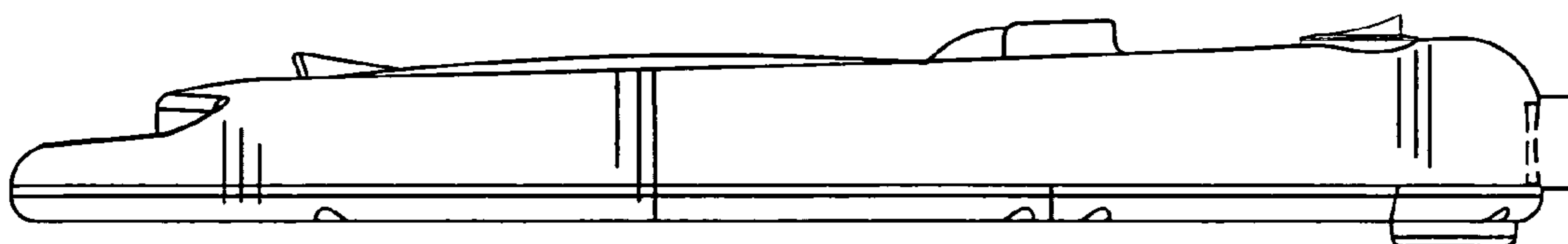


FIG. 6

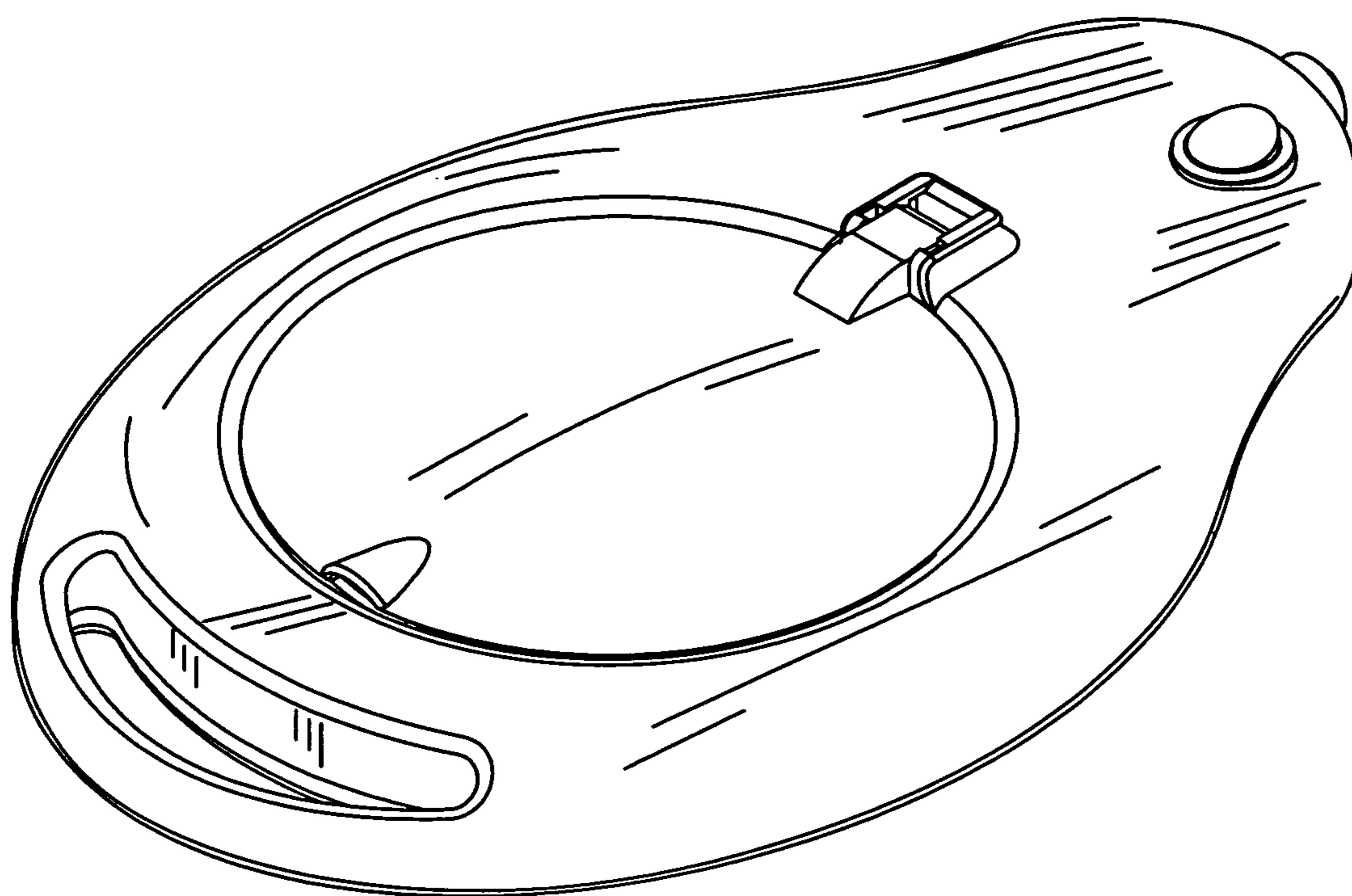


FIG. 7