



US00D650116S

(12) **United States Design Patent**  
**Buyce et al.**

(10) **Patent No.:** **US D650,116 S**  
(45) **Date of Patent:** **\*\* Dec. 6, 2011**

(54) **LIGHTING DEVICE**

(75) Inventors: **Douglas D. Buyce**, Ada, MI (US); **Dave Nestell**, Spring Lake, MI (US); **John Small**, London (GB); **Rob Scheper**, Grand Rapids, MI (US); **Erik Peterson**, Spring Lake, MI (US); **Michael Garner**, North Barrington, IL (US)

(73) Assignee: **Steelcase Inc.**, Grand Rapids, MI (US)

(\*\*) Term: **14 Years**

(21) Appl. No.: **29/361,805**

(22) Filed: **May 14, 2010**

(51) **LOC (9) Cl.** ..... **26-99**

(52) **U.S. Cl.** ..... **D26/118**

(58) **Field of Classification Search** ..... D26/125,  
D26/49, 46, 37, 118, 71, 92, 85, 87, 128,  
D26/63, 65, 88, 76, 120, 113, 119, 138, 2,  
D26/67, 72, 93, 123, 129, 130, 24, 107, 108,  
D26/62, 109, 51, 127, 122, 131, 140, 141,  
D26/142, 143, 144, 145, 58, 60, 68; 362/101,  
362/34, 346, 223, 294, 549, 109, 190, 192,  
362/249.01-249.11, 98, 99, 16, 17, 18, 19;  
D13/179, 180; D23/411; 424/401, 402,  
424/403, 404, 405; D8/353; 248/158, 122.1;  
D25/124; D16/135, 131, 244, 136; D15/90;  
359/801, 802, 807, 812; 119/245, 246, 247,  
119/253, 256, 266

See application file for complete search history.

(56) **References Cited**

**U.S. PATENT DOCUMENTS**

D190,388 S *	5/1961	Zurawski	.....	D26/74
D290,408 S *	6/1987	Gendron et al.	.....	D26/67
D294,523 S *	3/1988	Ewing et al.	.....	D26/71
D321,406 S *	11/1991	Schlesselman	.....	D26/67
D358,898 S *	5/1995	Compton	.....	D26/67
D391,657 S *	3/1998	Compton	.....	D26/68

6,410,909 B1 *	6/2002	Rudolph et al.	.....	250/231.13
D468,472 S *	1/2003	Mullally et al.	.....	D26/67
6,530,683 B1 *	3/2003	Ohkohdo et al.	.....	362/511
D476,105 S *	6/2003	Alsobrook	.....	D26/51
D482,485 S *	11/2003	Benghozi	.....	D26/85
D497,447 S *	10/2004	Yoneda	.....	D26/72
D541,958 S *	5/2007	Holldorff	.....	D26/24
D553,779 S *	10/2007	Butler	.....	D26/67
D561,932 S *	2/2008	Summerford et al.	.....	D26/128
D578,694 S *	10/2008	Zeng et al.	.....	D26/70
D585,580 S *	1/2009	Riffel et al.	.....	D26/72
D586,491 S *	2/2009	Levine	.....	D26/63
D598,583 S *	8/2009	Levine	.....	D26/25
D599,497 S *	9/2009	Liu	.....	D26/67
D599,935 S *	9/2009	van Klinken	.....	D26/67
D604,003 S *	11/2009	Sabernig	.....	D26/83

\* cited by examiner

*Primary Examiner* — Kevin Rudzinski

(74) *Attorney, Agent, or Firm* — Quarles & Brady LLP

(57) **CLAIM**

The ornamental design for a lighting device, as shown and described.

**DESCRIPTION**

FIG. 1 is a top, left, front perspective view of a lighting device embodying our new design;

FIG. 2 is a bottom, left, rear perspective view thereof;

FIG. 3 is a left side elevational view thereof, the right side elevational view thereof being a mirror image of the left side shown;

FIG. 4 is a front elevational view thereof;

FIG. 5 is a rear elevational view thereof;

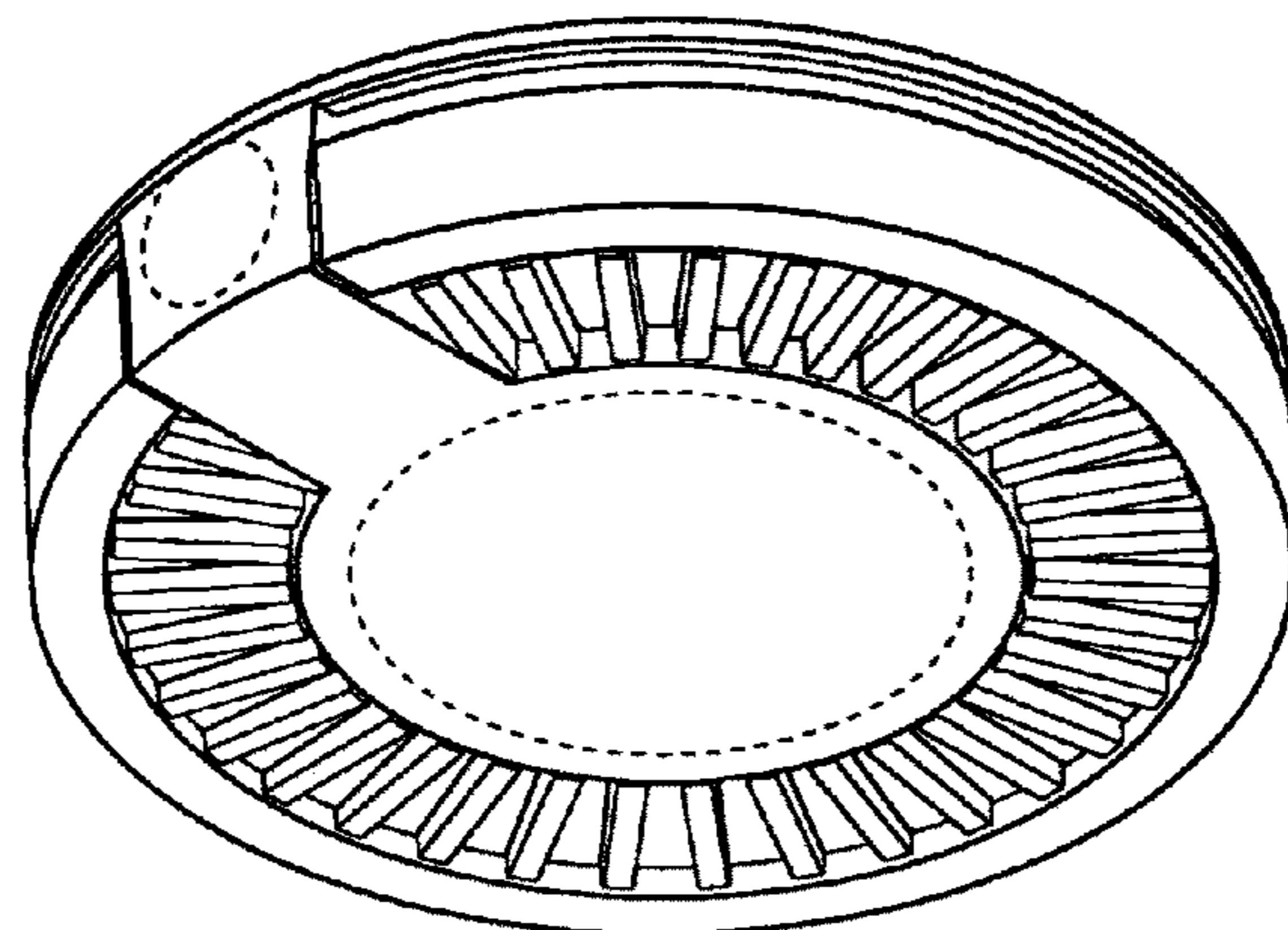
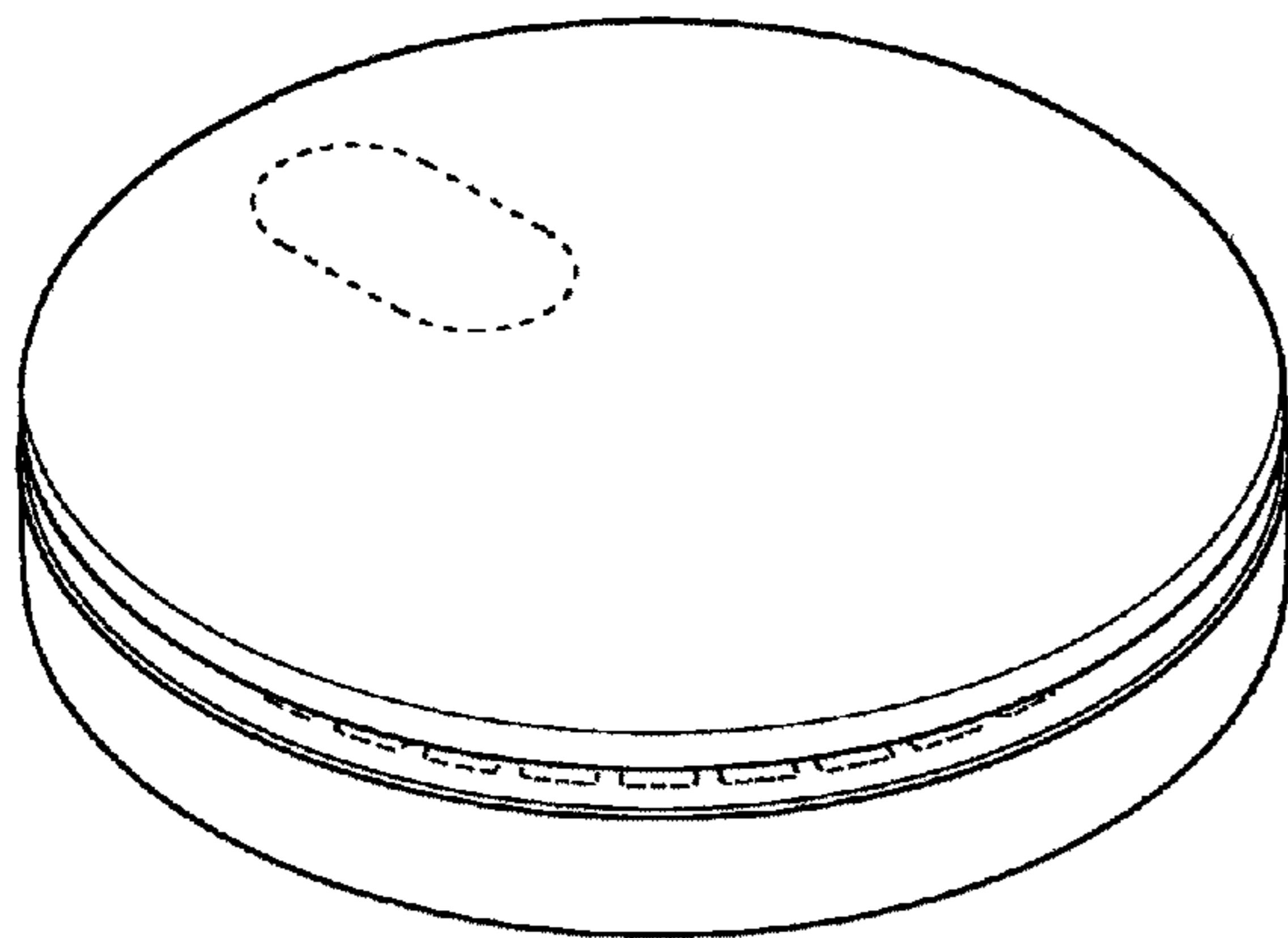
FIG. 6 is a top plan view thereof; and,

FIG. 7 is a bottom plan view thereof.

The broken line representations in the figures illustrate unclaimed environmental features and form no part of the claimed design.

In a preferred embodiment, the nature of this product is a lighting device such as can be used to illuminate a workspace.

**1 Claim, 2 Drawing Sheets**



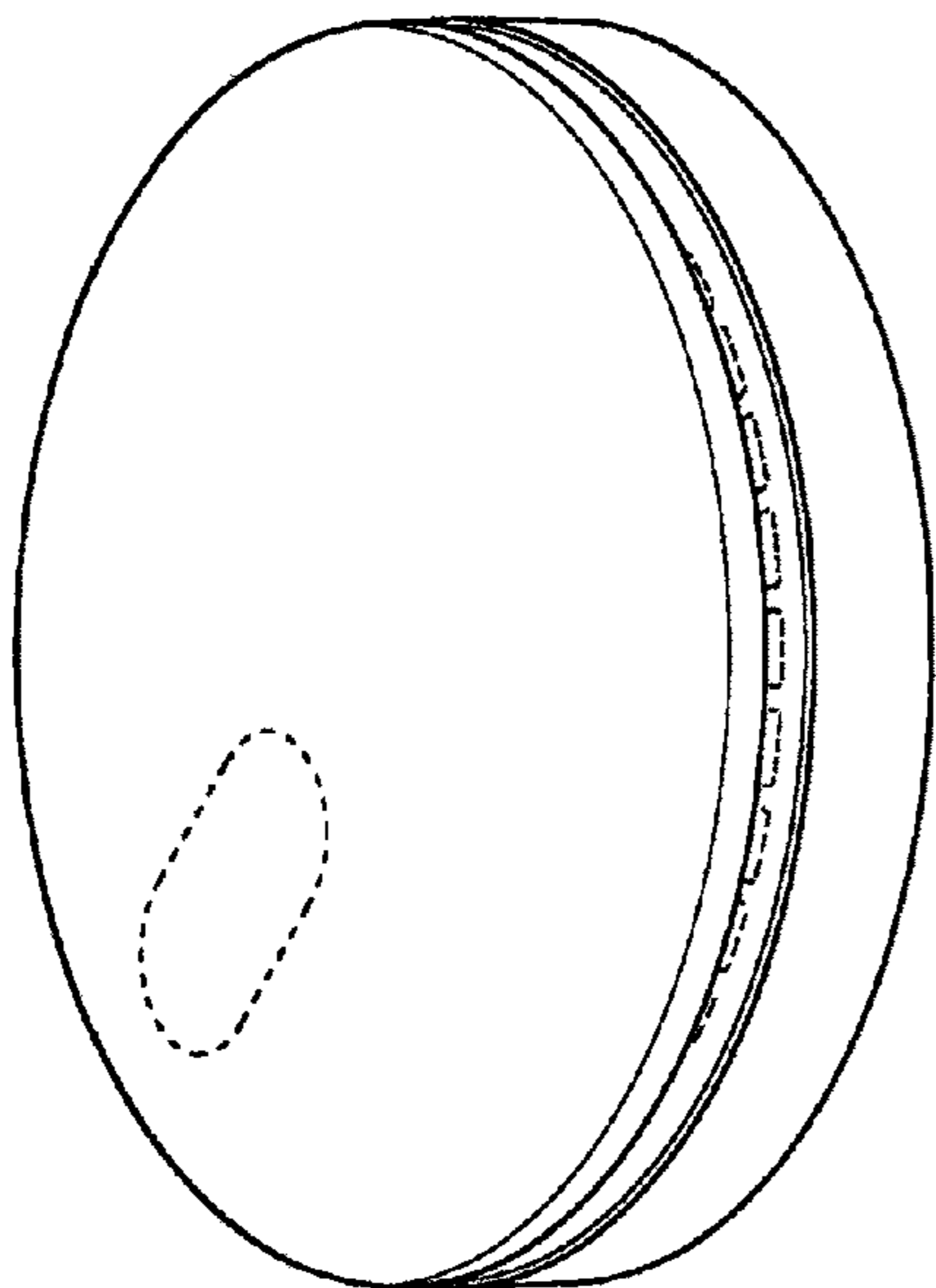


FIG. 1

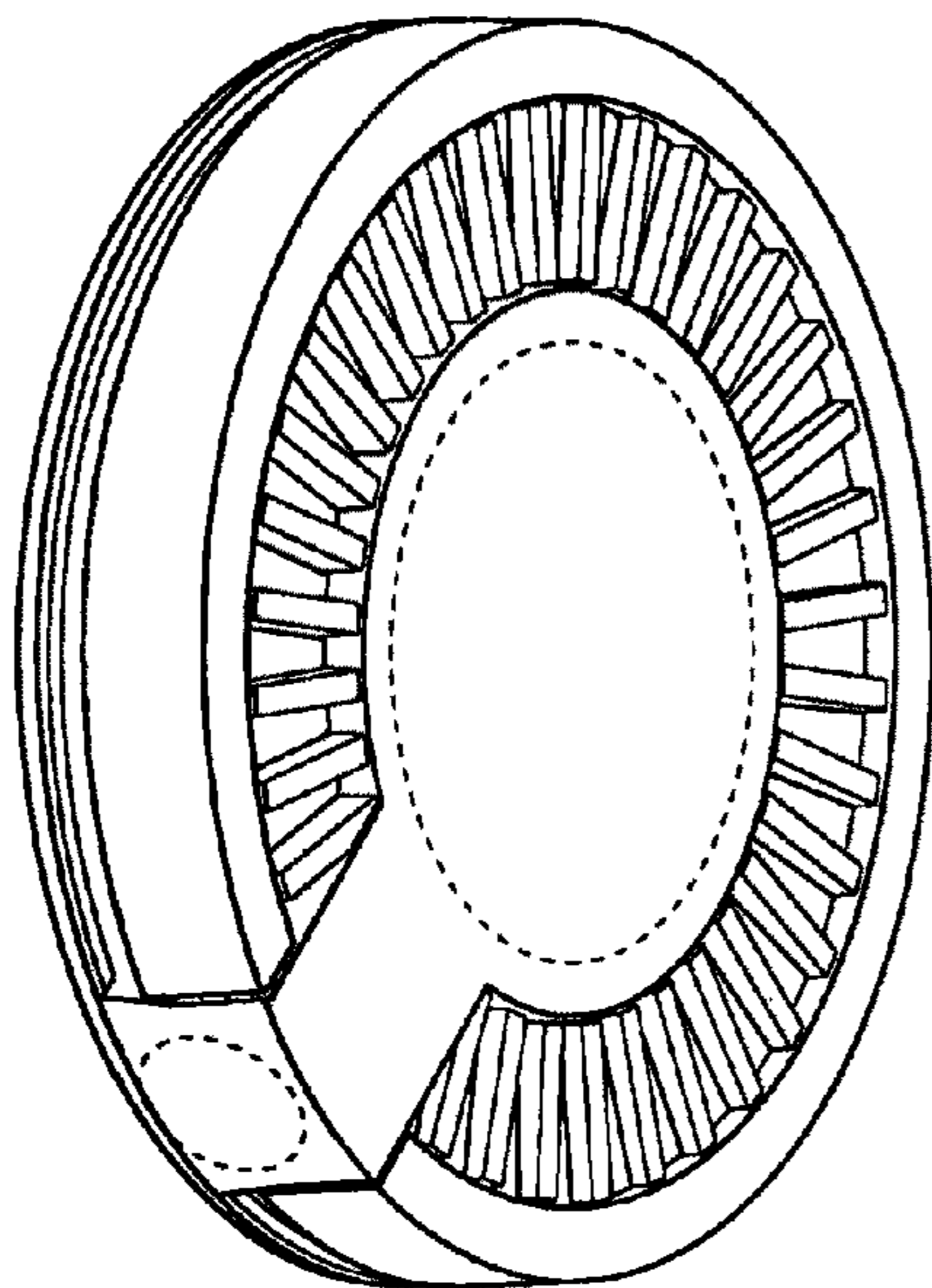


FIG. 2

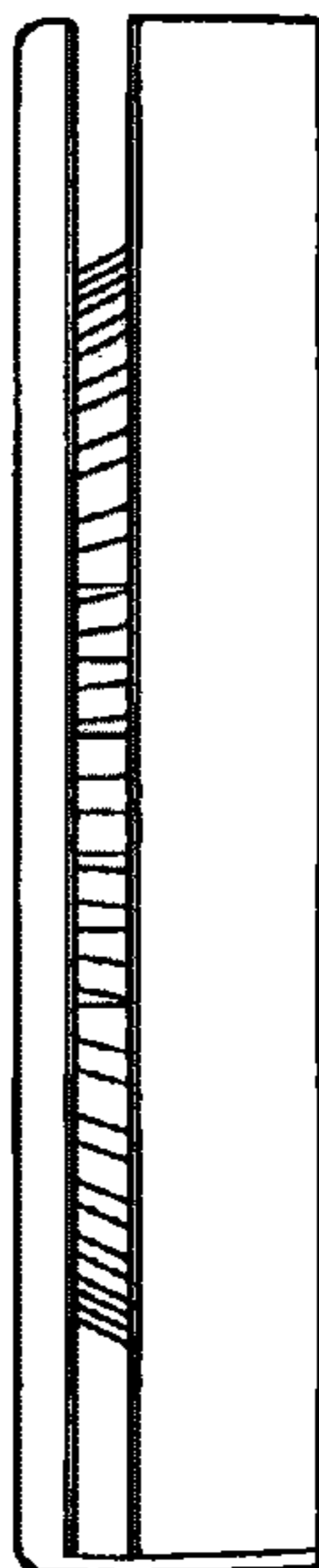


FIG. 3

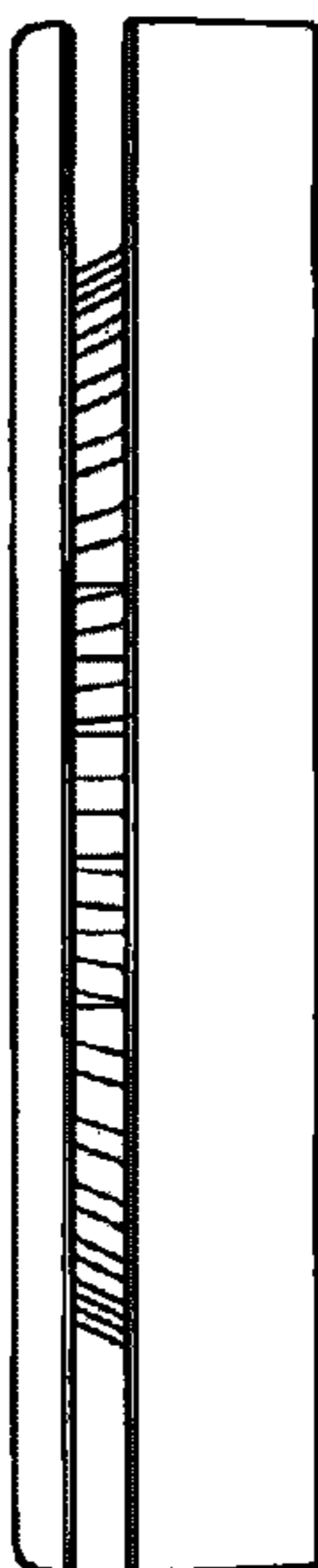


FIG. 4

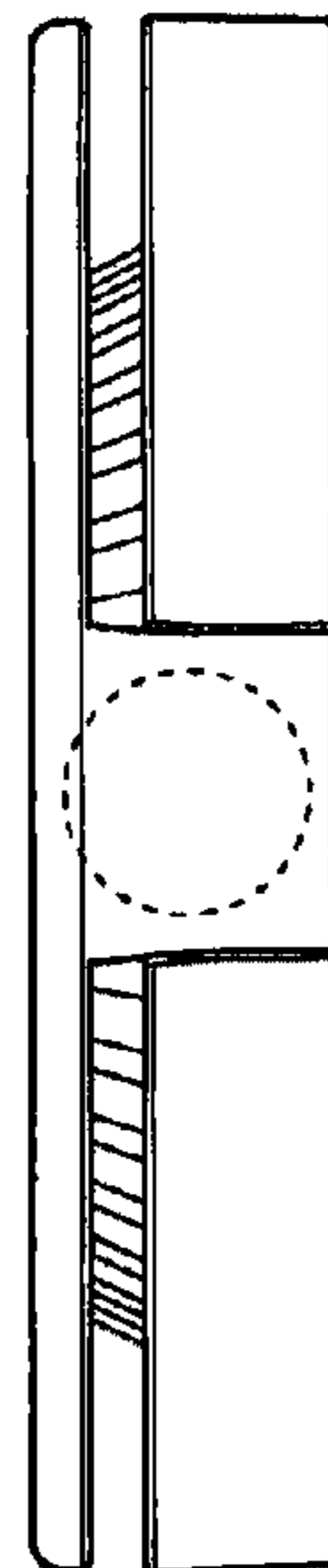


FIG. 5

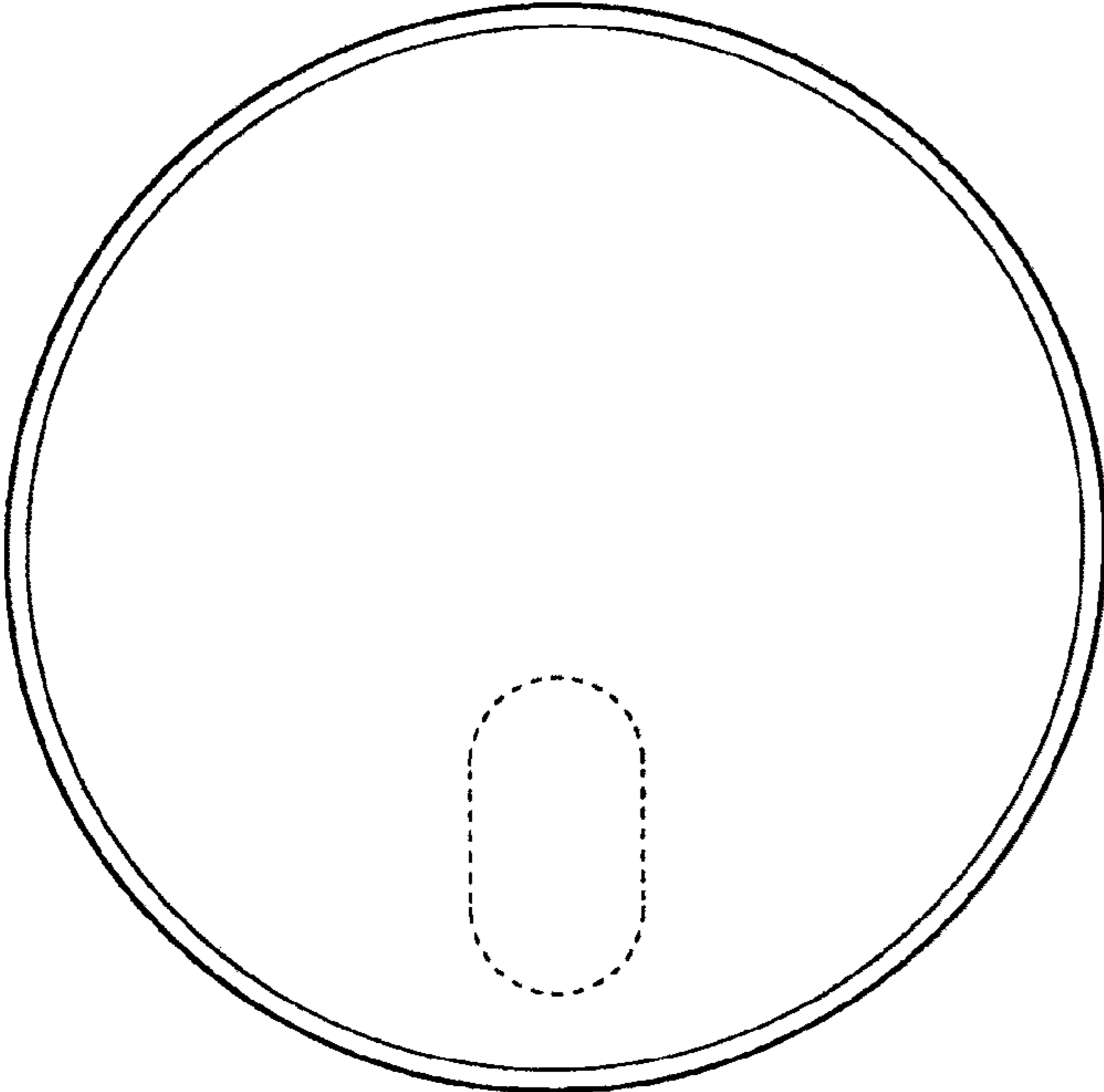


FIG. 6

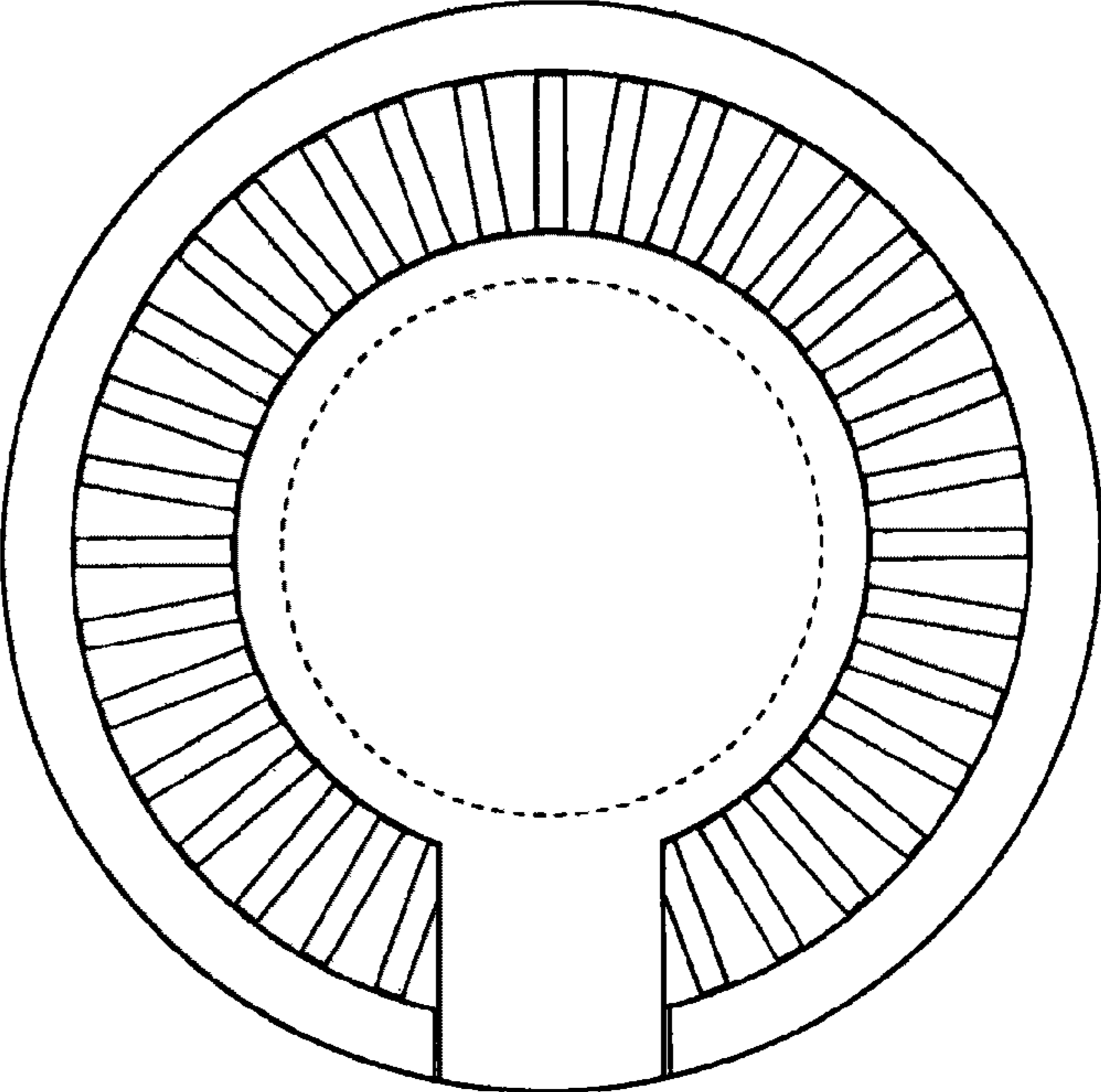


FIG. 7