



US00D650115S

(12) **United States Design Patent**
Kim et al.

(10) **Patent No.:** **US D650,115 S**

(45) **Date of Patent:** **** Dec. 6, 2011**

(54) **LED LAMP**

(75) Inventors: **Han Gyoul Kim**, Seoul (KR); **Jin Wook Kim**, Seoul (KR)

(73) Assignee: **LG Innotek Co., Ltd.**, Seoul (KR)

(**) Term: **14 Years**

(21) Appl. No.: **29/360,132**

(22) Filed: **Apr. 20, 2010**

(30) **Foreign Application Priority Data**

Apr. 7, 2010 (KR) 30-2010-0015205

(51) **LOC (9) Cl.** **26-99**

(52) **U.S. Cl.** **D26/118**

(58) **Field of Classification Search** D11/11,
D11/90, 91, 92, 89, 121; D26/94, 154, 144,
D26/138, 63, 65, 142, 71, 93, 76, 78, 88,
D26/80, 69, 74, 72, 118, 119, 120, 113, 121,
D26/122, 155, 128, 129, 1, 2, 28, 152, 123,
D26/124, 153, 130, 141, 92, 85, 145, 87;
273/153 S, 160; 362/253, 405, 96, 394, 362,
362/223, 544, 240, 545; D9/552, 420, 529,
D9/426, 424, 574, 571, 504, 774, 776, 778;
200/331; D25/127, 129; D21/478, 479;
D34/1; D7/509, 510, 523, 586; D13/134,
D13/179, 180; D8/378, 310, 380, 307; D23/377,
D23/411; D6/307, 310, 580, 581
See application file for complete search history.

(56) **References Cited**

U.S. PATENT DOCUMENTS

D70,159 S * 5/1926 Crumley D26/144
D87,377 S * 7/1932 Andrews D26/88
D92,831 S * 7/1934 Tyler D26/26
D175,658 S * 9/1955 Van Koert D26/20
3,538,321 A * 11/1970 Keller et al. 362/289
4,023,035 A * 5/1977 Rodriguez 250/239
D259,518 S * 6/1981 Garcia et al. D26/131

4,503,360 A * 3/1985 Bedel 315/112
D284,652 S * 7/1986 Engel D13/135
D305,193 S * 12/1989 Sajadieh D7/509
D310,065 S * 8/1990 Cheng D13/165
D323,565 S * 1/1992 Woodgate D26/63
D329,101 S * 9/1992 Landefeld D26/68
D346,239 S * 4/1994 Vamberszky et al. D26/118
5,351,174 A * 9/1994 Ewing 362/655
D358,115 S * 5/1995 Rahr D11/144
D367,847 S * 3/1996 Tarulli et al. D13/158
D378,795 S * 4/1997 King D7/608
D386,805 S * 11/1997 Bonnette et al. D26/74
5,823,660 A * 10/1998 Hsu 362/276
D414,587 S * 9/1999 Douglas D34/1
5,964,522 A * 10/1999 Schaefer et al. 362/350
D418,813 S * 1/2000 Smith D13/134

(Continued)

Primary Examiner — Kevin Rudzinski

(74) *Attorney, Agent, or Firm* — McKenna Long & Aldridge LLP

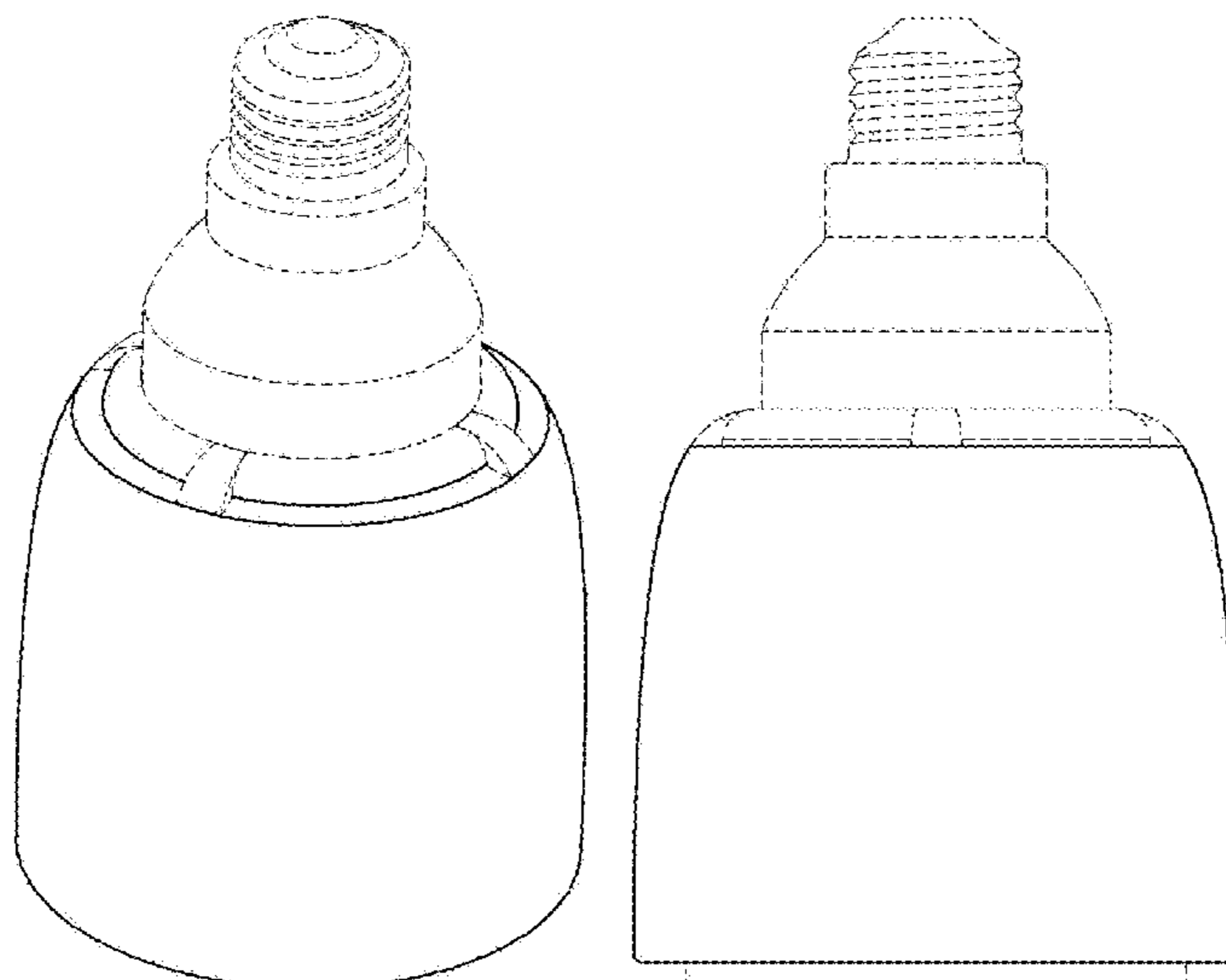
(57) **CLAIM**

The ornamental design for an LED lamp, as shown and described.

DESCRIPTION

FIG. 1 is a top front perspective view of an LED lamp showing my new design;
FIG. 2 is a front elevational view thereof;
FIG. 3 is a rear elevational view thereof;
FIG. 4 is a left side elevational view thereof;
FIG. 5 is a right side elevational view thereof;
FIG. 6 is a top plan view thereof;
FIG. 7 is a bottom plan view thereof; and,
FIG. 8 is a bottom front perspective view thereof.
The diagonal broken lines in FIG. 8 demark light emitting parts and form no part of the claimed design. The broken lines shown in the drawings are included for the purpose of illustrating environmental structures and form no part of the claimed design.

1 Claim, 5 Drawing Sheets



US D650,115 S

Page 2

U.S. PATENT DOCUMENTS

| | | | | | |
|--------------|------|---------|---------------------|-------|------------|
| D418,928 | S * | 1/2000 | Zhang et al. | | D26/2 |
| D423,707 | S * | 4/2000 | Hammond | | D26/67 |
| D434,943 | S * | 12/2000 | Price | | D7/509 |
| 6,155,701 | A * | 12/2000 | Leen | | 362/432 |
| D445,947 | S * | 7/2001 | Johnson | | D26/142 |
| 6,322,234 | B1 * | 11/2001 | Drake et al. | | 362/276 |
| D455,486 | S * | 4/2002 | Makino | | D23/366 |
| D459,536 | S * | 6/2002 | Dolan | | D26/130 |
| D469,209 | S * | 1/2003 | Homann | | D26/118 |
| D476,728 | S * | 7/2003 | Gajewski | | D23/377 |
| D483,903 | S * | 12/2003 | Skradski et al. | | D26/118 |
| D483,904 | S * | 12/2003 | Skradski et al. | | D26/118 |
| 6,676,281 | B2 * | 1/2004 | Bray et al. | | 362/391 |
| D508,236 | S * | 8/2005 | Duke et al. | | D13/184 |
| D509,317 | S * | 9/2005 | Orfield et al. | | D26/128 |
| 6,994,457 | B2 * | 2/2006 | Lee | | 362/366 |
| D517,480 | S * | 3/2006 | Luo | | D13/134 |
| D519,322 | S * | 4/2006 | Hutton | | D7/523 |
| D519,455 | S * | 4/2006 | Tufano et al. | | D13/134 |
| D522,686 | S * | 6/2006 | Lee | | D26/142 |
| 7,111,963 | B2 * | 9/2006 | Zhang | | 362/294 |
| D531,452 | S * | 11/2006 | Toth | | D7/523 |
| D537,366 | S * | 2/2007 | Pedersen | | D9/776 |
| D542,735 | S * | 5/2007 | Keilholz et al. | | D13/134 |
| 7,220,024 | B1 * | 5/2007 | Berends | | 362/217.08 |
| D543,845 | S * | 6/2007 | Ioannides et al. | | D9/500 |
| D545,131 | S * | 6/2007 | Seum et al. | | D7/523 |
| D547,232 | S * | 7/2007 | Lai | | D11/91 |
| 7,244,051 | B2 * | 7/2007 | Bewig et al. | | 362/345 |
| D548,877 | S * | 8/2007 | Chen | | D26/128 |
| D549,596 | S * | 8/2007 | Ioannides et al. | | D9/776 |
| D560,788 | S * | 1/2008 | Farrell et al. | | D23/366 |
| D566,880 | S * | 4/2008 | Silver | | D26/88 |
| D571,947 | S * | 6/2008 | Chen | | D26/118 |
| D575,987 | S * | 9/2008 | Williams | | D7/523 |
| D577,259 | S * | 9/2008 | Seum et al. | | D7/523 |
| D580,764 | S * | 11/2008 | Shale | | D9/500 |
| D581,584 | S * | 11/2008 | Boyer | | D26/138 |
| D584,107 | S * | 1/2009 | George | | D7/510 |
| D585,588 | S * | 1/2009 | Alexander et al. | | D26/118 |
| D591,894 | S * | 5/2009 | Flank | | D26/74 |
| D592,054 | S * | 5/2009 | Floyd et al. | | D9/435 |
| D592,345 | S * | 5/2009 | Gill | | D26/71 |
| D596,501 | S * | 7/2009 | Diss et al. | | D9/776 |
| D596,505 | S * | 7/2009 | Diss et al. | | D9/778 |
| D596,957 | S * | 7/2009 | Diss | | D9/776 |
| D599,666 | S * | 9/2009 | Marotti et al. | | D9/454 |
| D605,323 | S * | 12/2009 | Mier-Langner et al. | | D26/63 |
| D614,917 | S * | 5/2010 | Calco | | D7/509 |
| D628,721 | S * | 12/2010 | Lee | | D26/2 |
| 7,858,015 | B2 * | 12/2010 | Urquhart et al. | | 264/301 |
| 2007/0091597 | A1 * | 4/2007 | Wang et al. | | 362/231 |
| 2007/0279862 | A1 * | 12/2007 | Li | | 361/692 |
| 2009/0237891 | A1 * | 9/2009 | Liu et al. | | 361/714 |

* cited by examiner

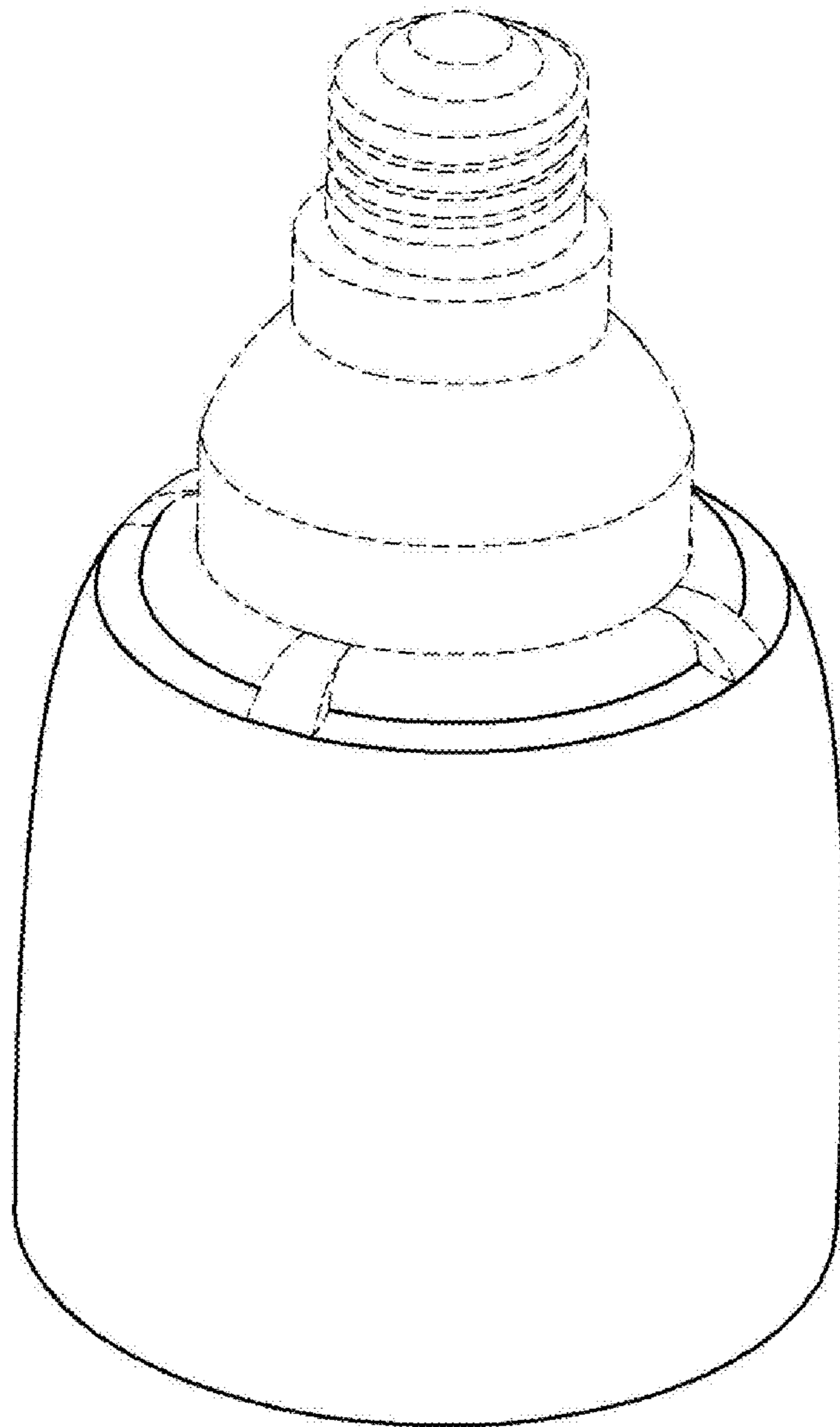


FIG. 1

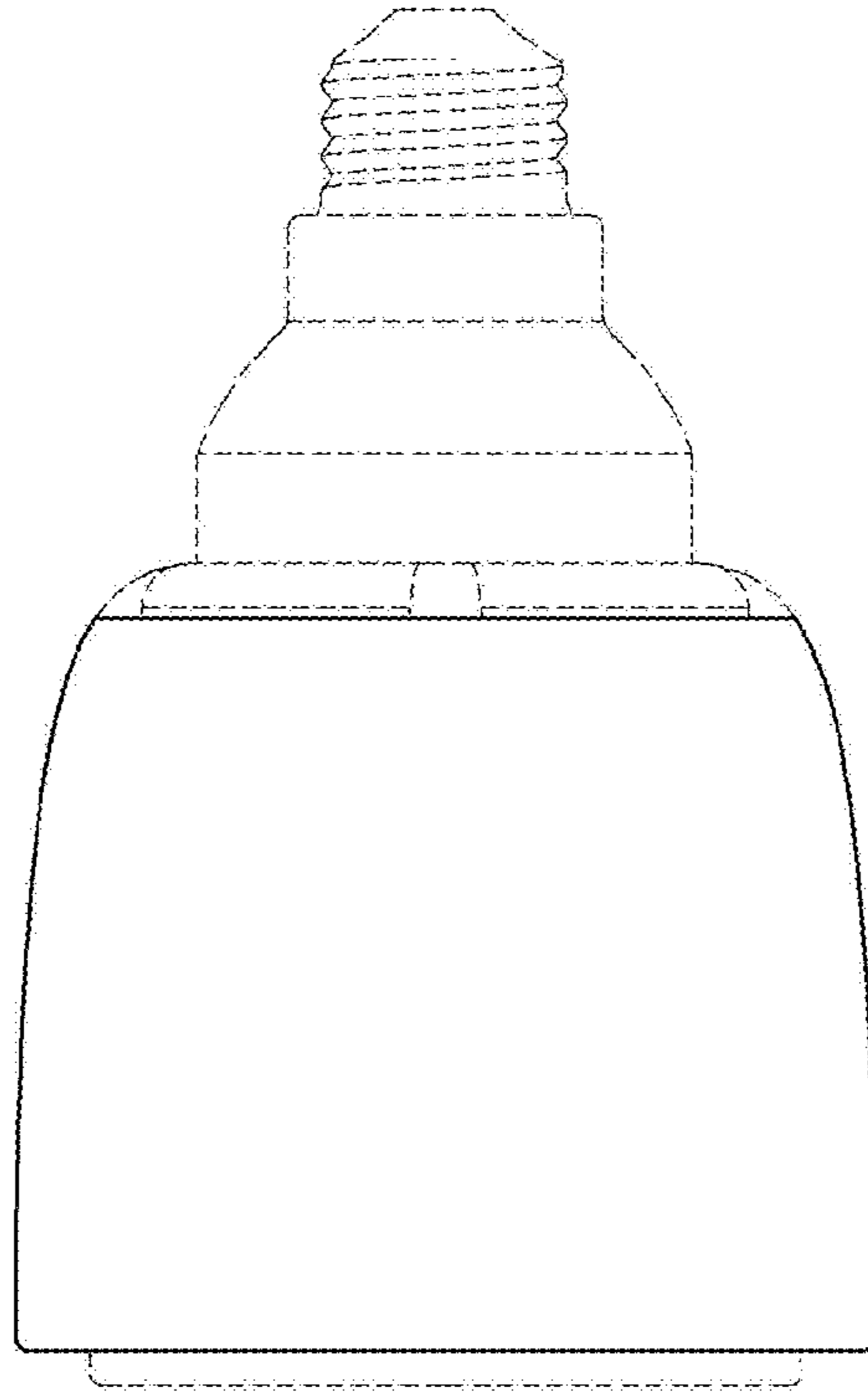


FIG. 2

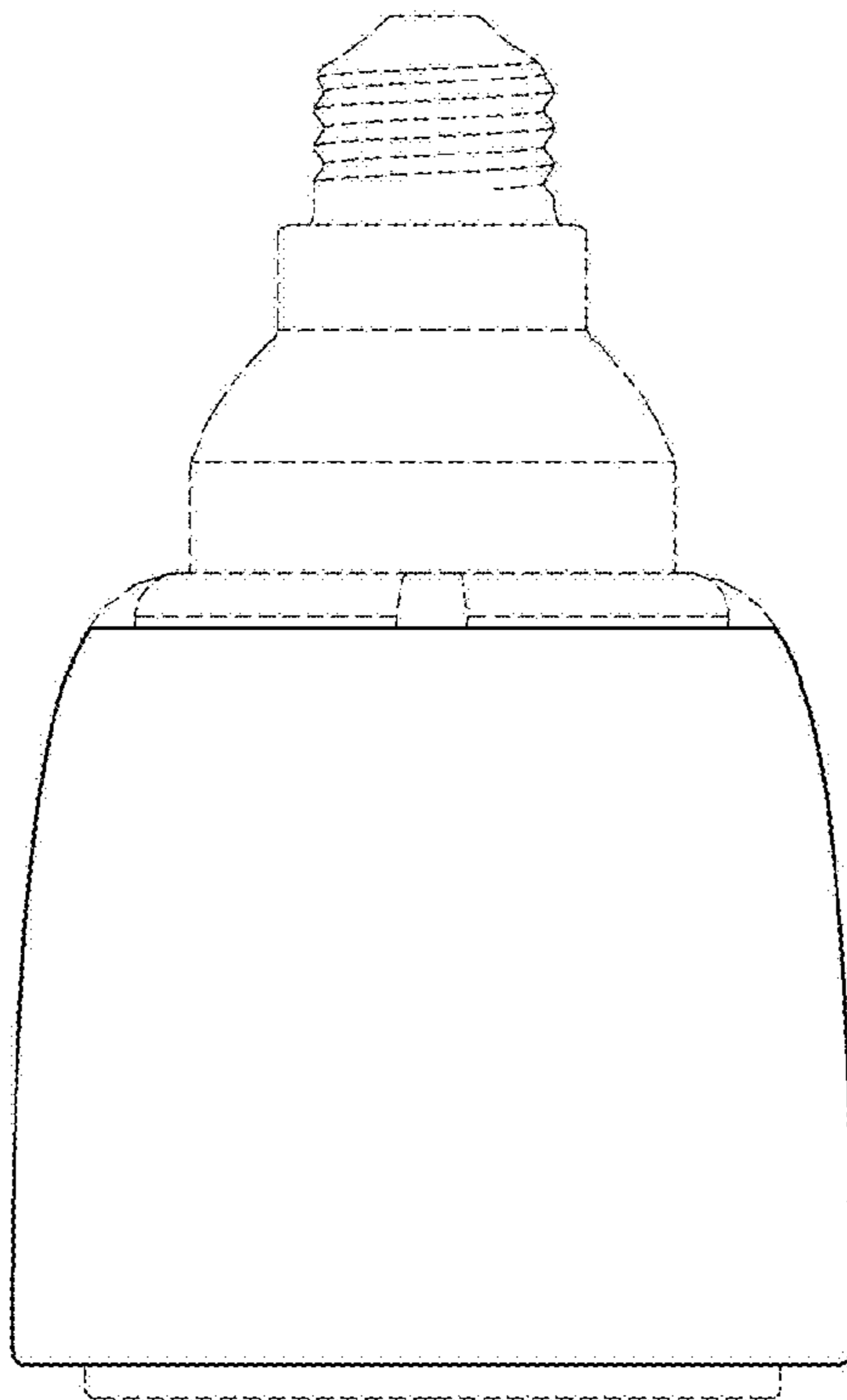


FIG. 3

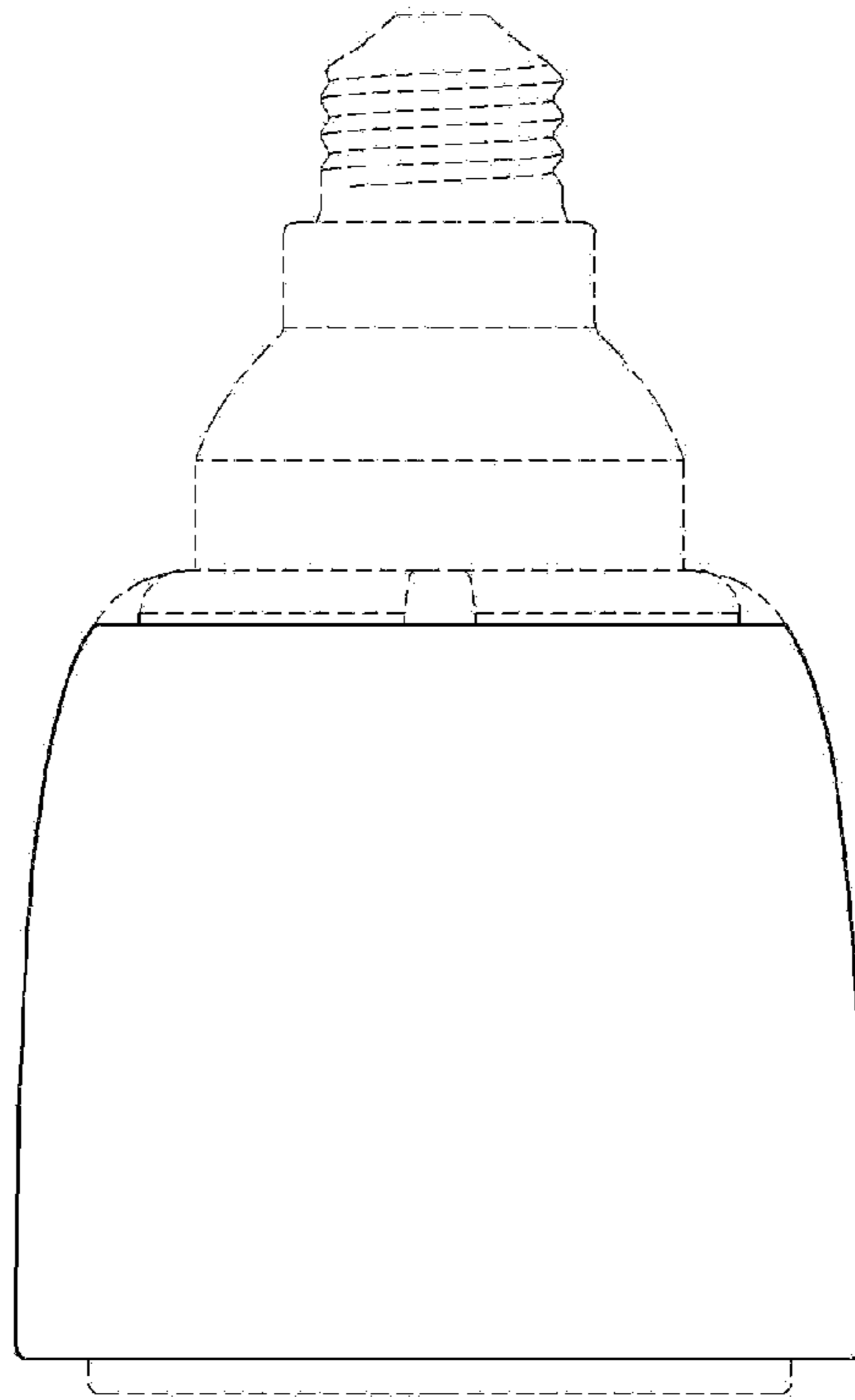


FIG. 4

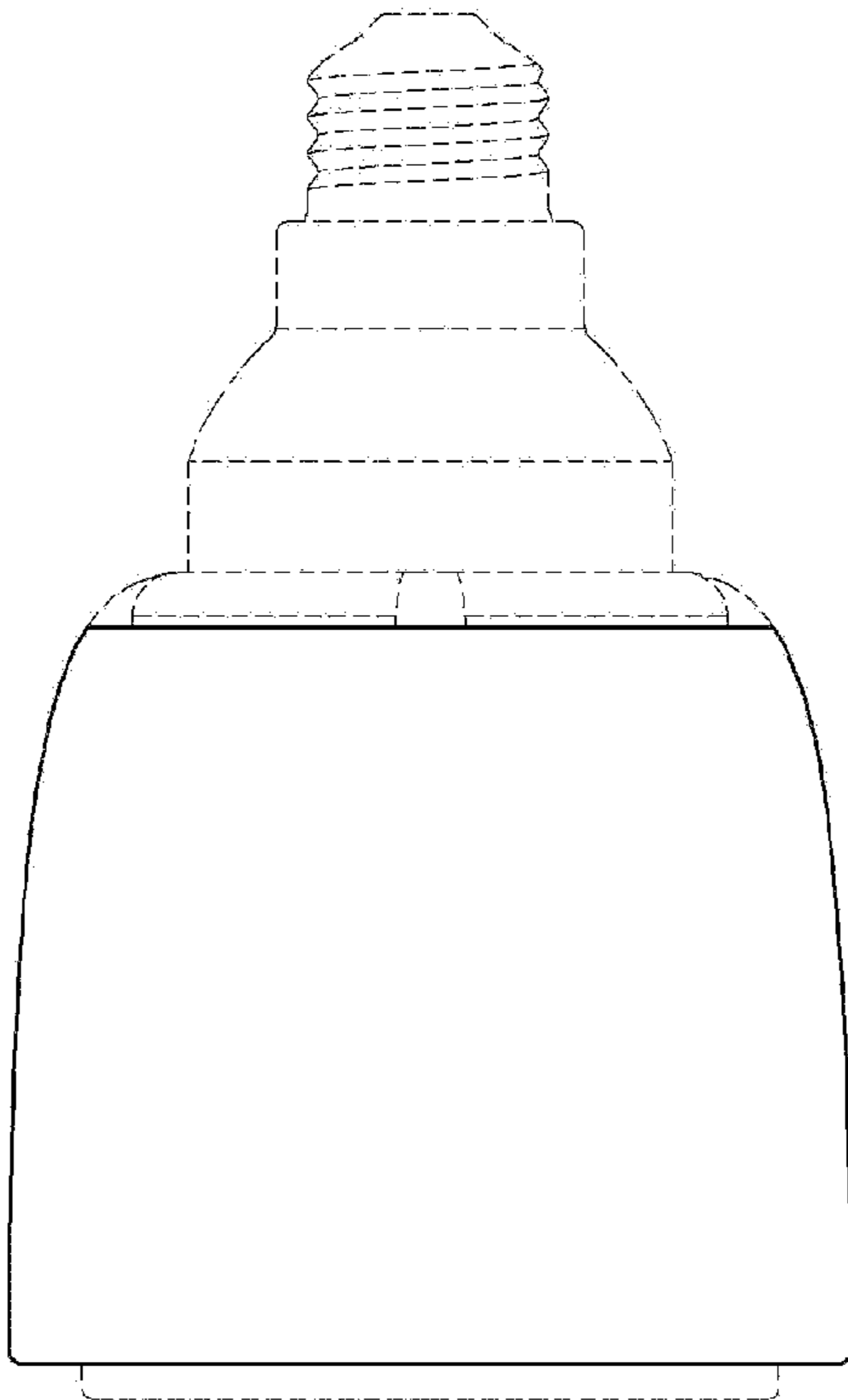


FIG. 5

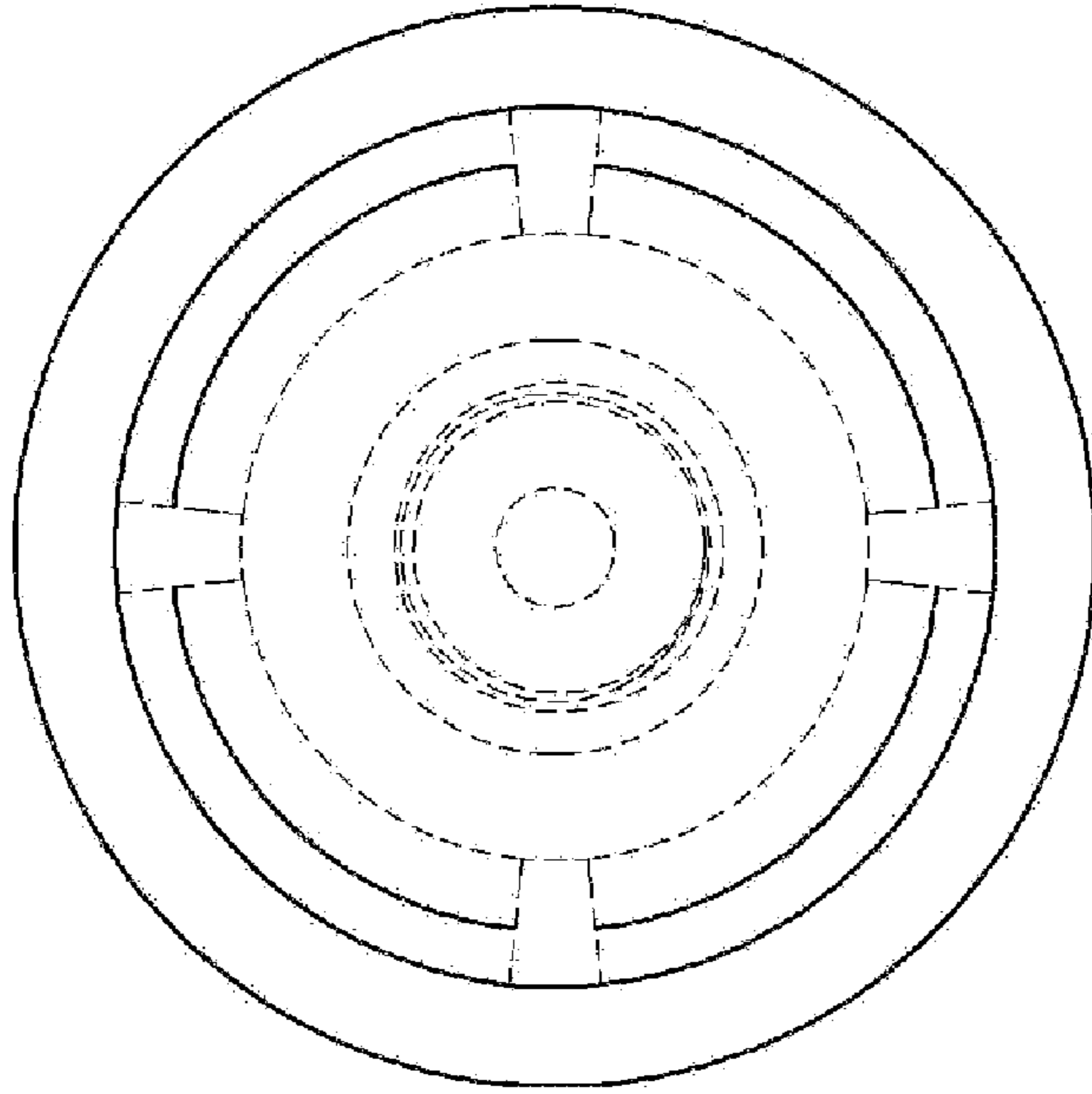


FIG. 6

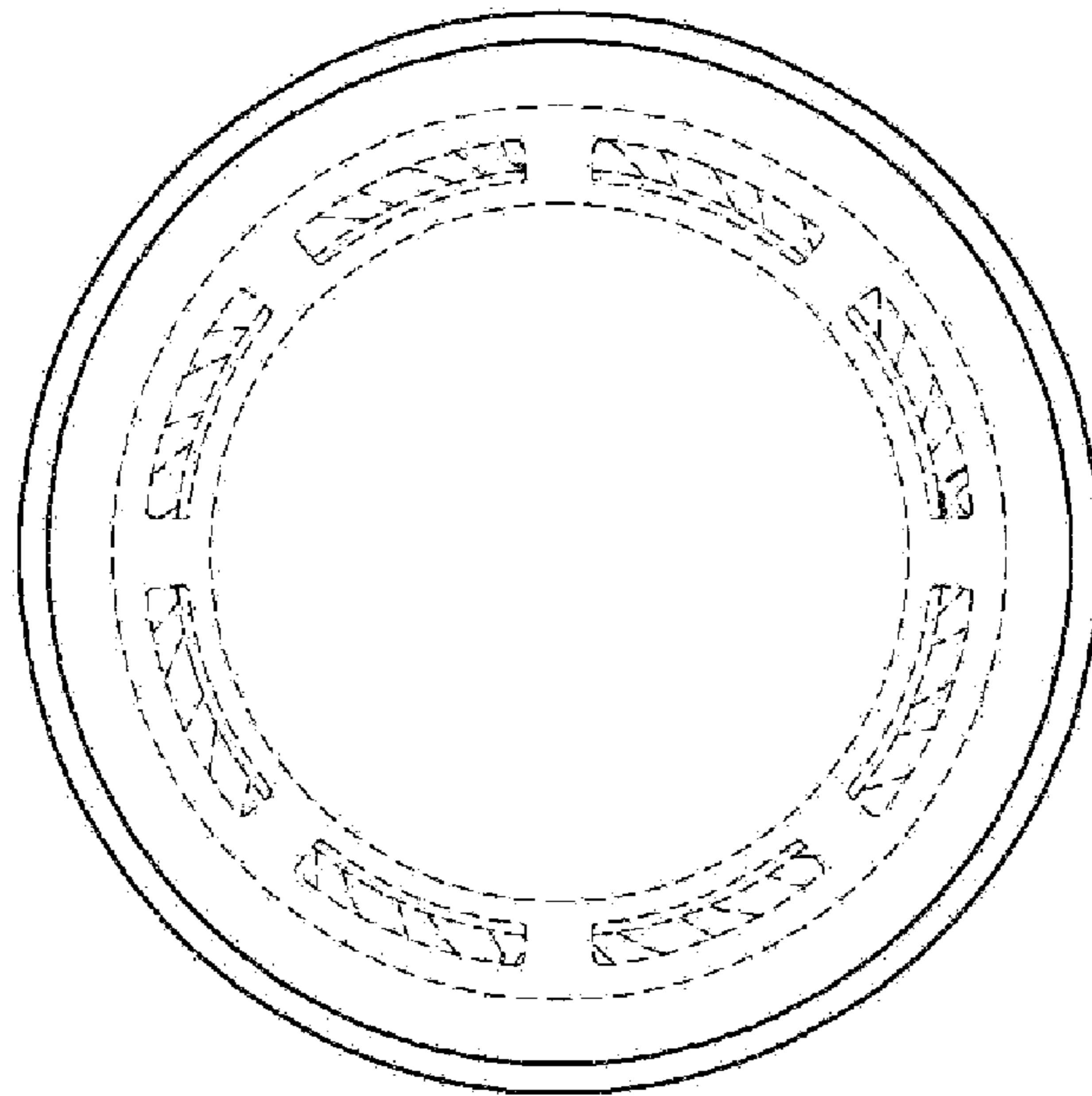


FIG. 7

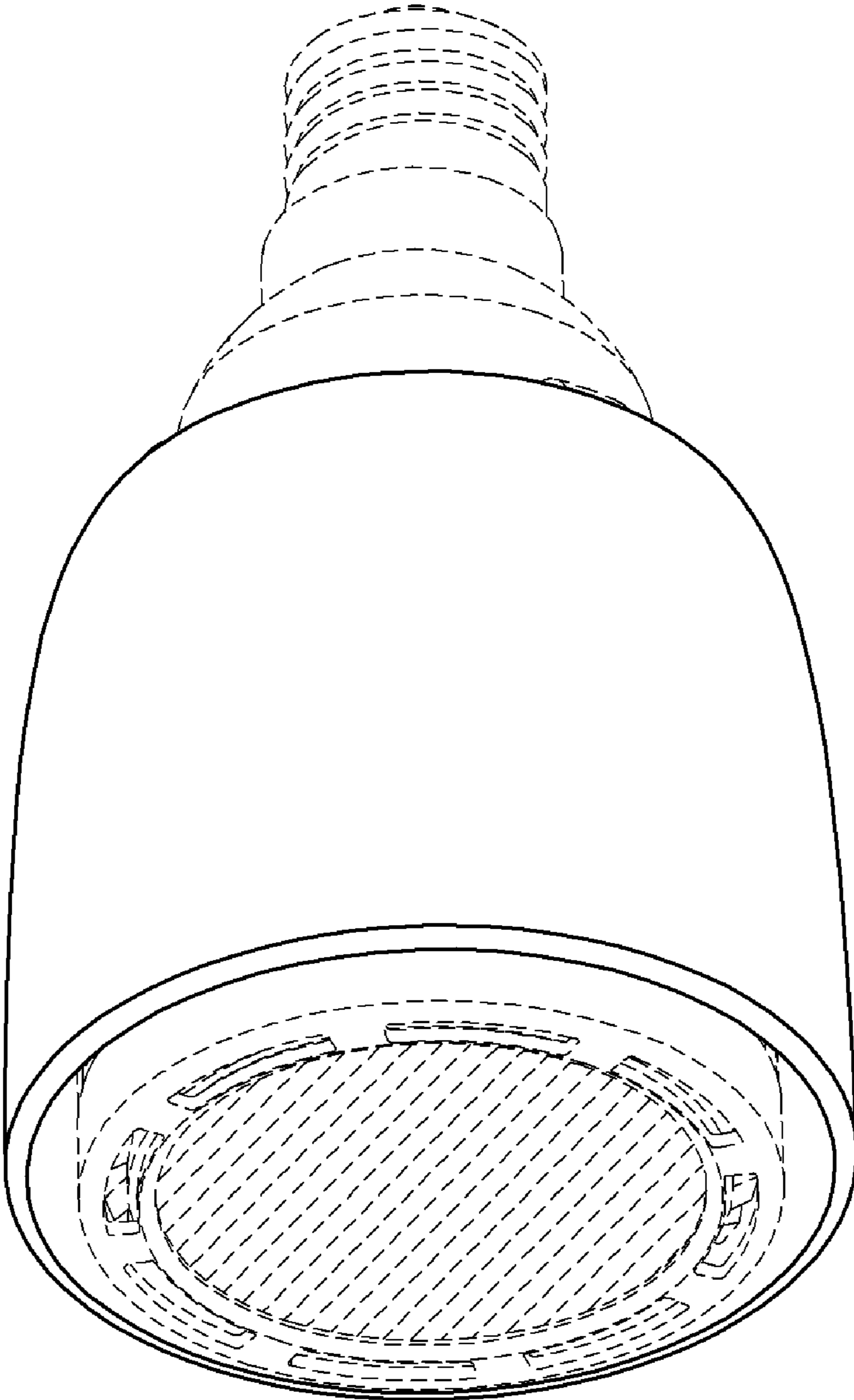


FIG. 8