

US00D650114S

(12) **United States Design Patent**
Rudek et al.

(10) **Patent No.:** **US D650,114 S**

(45) **Date of Patent:** **** Dec. 6, 2011**

(54) **LIGHTING DEVICE**

(75) Inventors: **David M. Rudek**, Duesseldorf (DE);
Joerg R. Purfuerst, Cologne (DE);
Hans-Michael Vogt, Bochum (DE)

(73) Assignee: **3M Innovative Properties Company**,
St. Paul, MN (US)

(**) Term: **14 Years**

(21) Appl. No.: **29/330,859**

(22) Filed: **Jan. 15, 2009**

(30) **Foreign Application Priority Data**

Jul. 18, 2008 (EM) 972799-1/7

(51) **LOC (9) Cl.** **26-99**

(52) **U.S. Cl.** **D26/118**

(58) **Field of Classification Search** D26/85,
D26/133, 134, 136, 122, 138, 118, 131, 137,
D26/124, 69, 68, 67, 71, 125, 149, 147, 156,
D26/94, 73, 32, 47, 57, 152, 74, 142, 2, 52,
D26/72, 113, 140, 60, 51, 38, 135, 119, 120,
D26/121, 123; D8/71, 72, 395, 328; D19/65,
D19/90; 248/206.5, 389, 229.13, 229.15;
D32/8, 55, 58; 211/106, 119.01, 119.09,
211/85.15; 439/540.1; 362/183, 249.01-249.11,
362/356, 365, 523, 190, 191, 351, 352, 357,
362/358; D24/99, 327, 134, 227; D2/624;
24/316, 306, 339, 3.1, 3.11, 3.12; D6/557,
D6/462; 52/19, 28; 8/38; D14/511, 496
See application file for complete search history.

(56) **References Cited**

U.S. PATENT DOCUMENTS

2,224,178 A * 12/1940 Bitner 362/337
2,356,654 A * 8/1944 Cullman 362/223
D223,771 S * 6/1972 Roney, Jr. D12/217

4,908,743 A * 3/1990 Miller 362/238
4,994,944 A * 2/1991 Vernondier 362/239
D368,021 S * 3/1996 Mikiel D8/402
5,526,190 A * 6/1996 Hubble et al. 359/719
5,607,227 A * 3/1997 Yasumoto et al. 362/249.06
5,757,557 A * 5/1998 Medvedev et al. 359/708
6,361,186 B1 * 3/2002 Slayden 362/241
6,582,103 B1 * 6/2003 Popovich et al. 362/307
D476,753 S * 7/2003 Chelf et al. D26/3
D481,135 S * 10/2003 Dean et al. D25/113
6,659,623 B2 * 12/2003 Friend 362/249.06

(Continued)

FOREIGN PATENT DOCUMENTS

DE 10259623 7/2004

(Continued)

OTHER PUBLICATIONS

U.S. Appl. No. 29/330858, David M. Rudek, et al., filed Jan. 15, 2009.

(Continued)

Primary Examiner — Cathron Brooks
Assistant Examiner — Kevin Rudzinski

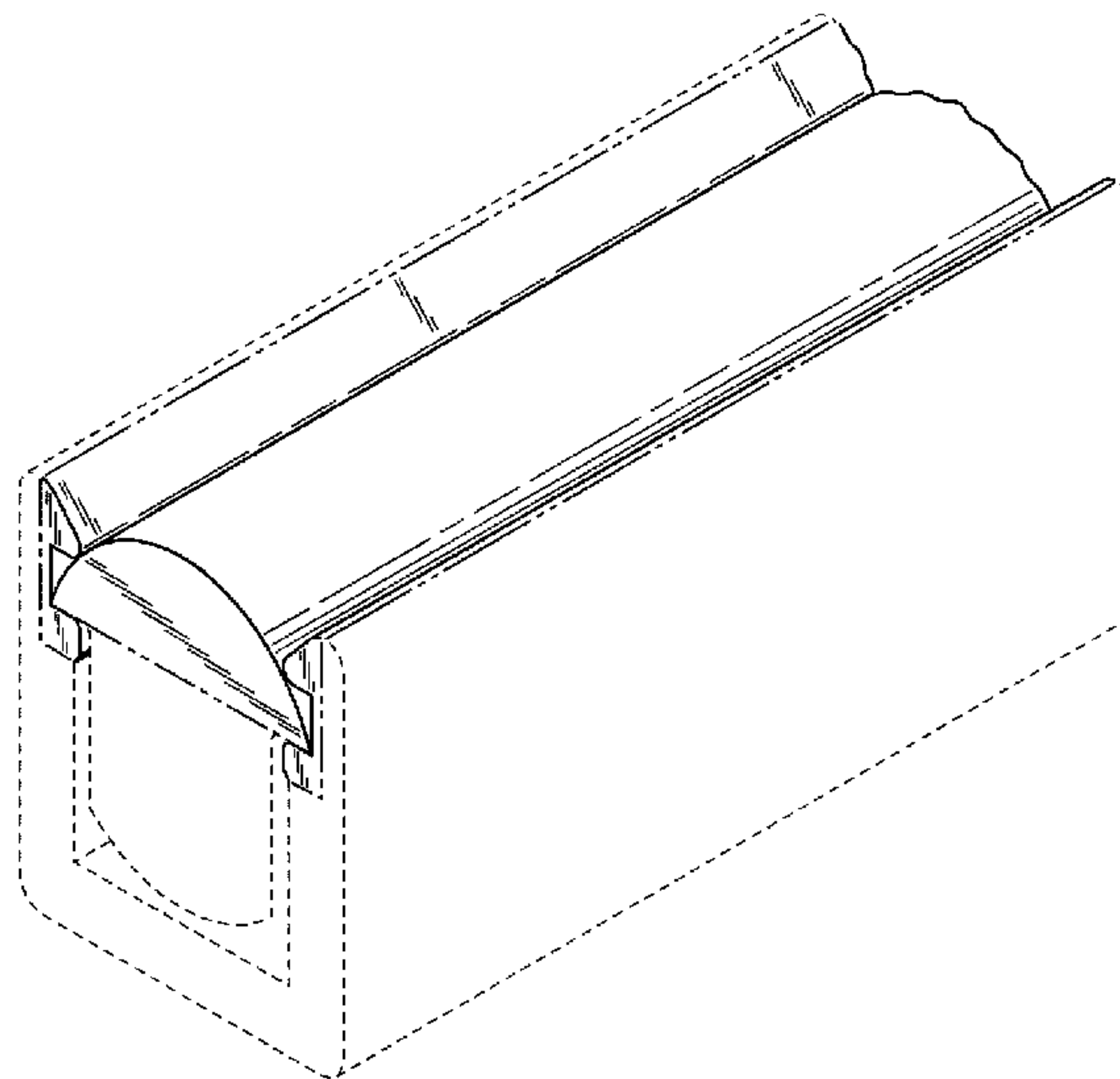
(57) **CLAIM**

The ornamental design for a lighting device, as shown and described.

DESCRIPTION

FIG. 1 is a perspective view, showing the new design for a lighting device;
FIG. 2 is a front view thereof;
FIG. 3 is a side view thereof;
FIG. 4 is a top view thereof; and,
FIG. 5 is a bottom view thereof.
The broken line showing of unclaimed portions of the lighting device and the dash-dot-dot lines indicating the bounds of the claimed design form no part of the claimed design.

1 Claim, 3 Drawing Sheets



US D650,114 S

Page 2

U.S. PATENT DOCUMENTS

6,676,284 B1 * 1/2004 Wynne Willson 362/555
6,850,001 B2 * 2/2005 Takekuma 313/501
7,008,097 B1 * 3/2006 Hulse 362/546
7,063,440 B2 * 6/2006 Mohacsi et al. 362/240
7,159,997 B2 * 1/2007 Reo et al. 362/240
7,207,692 B1 * 4/2007 Hulse 362/231
7,207,700 B2 * 4/2007 Fallahi et al. 362/334
7,244,084 B2 * 7/2007 Anthony et al. 410/49
7,267,461 B2 * 9/2007 Kan et al. 362/373
7,307,391 B2 * 12/2007 Shan 315/291
7,465,074 B2 * 12/2008 Blumel 362/335
7,490,955 B1 * 2/2009 Lai 362/235
2003/0174517 A1 * 9/2003 Kiraly et al. 362/555
2003/0223235 A1 * 12/2003 Mohacsi et al. 362/240

2004/0114355 A1 * 6/2004 Rizkin et al. 362/153
2006/0198144 A1 * 9/2006 Miyairi et al. 362/257
2008/0030981 A1 * 2/2008 Mrakovich et al. 362/219
2008/0285264 A1 * 11/2008 Whitehouse et al. 362/217
2009/0219713 A1 * 9/2009 Siemiet et al. 362/218

FOREIGN PATENT DOCUMENTS

WO WO 2007/065227 6/2007
WO WO 2008/022007 2/2008

OTHER PUBLICATIONS

Application No. PCT/US09/050447, David M. Rudek, et al., Filed Jul. 14, 2009.

* cited by examiner

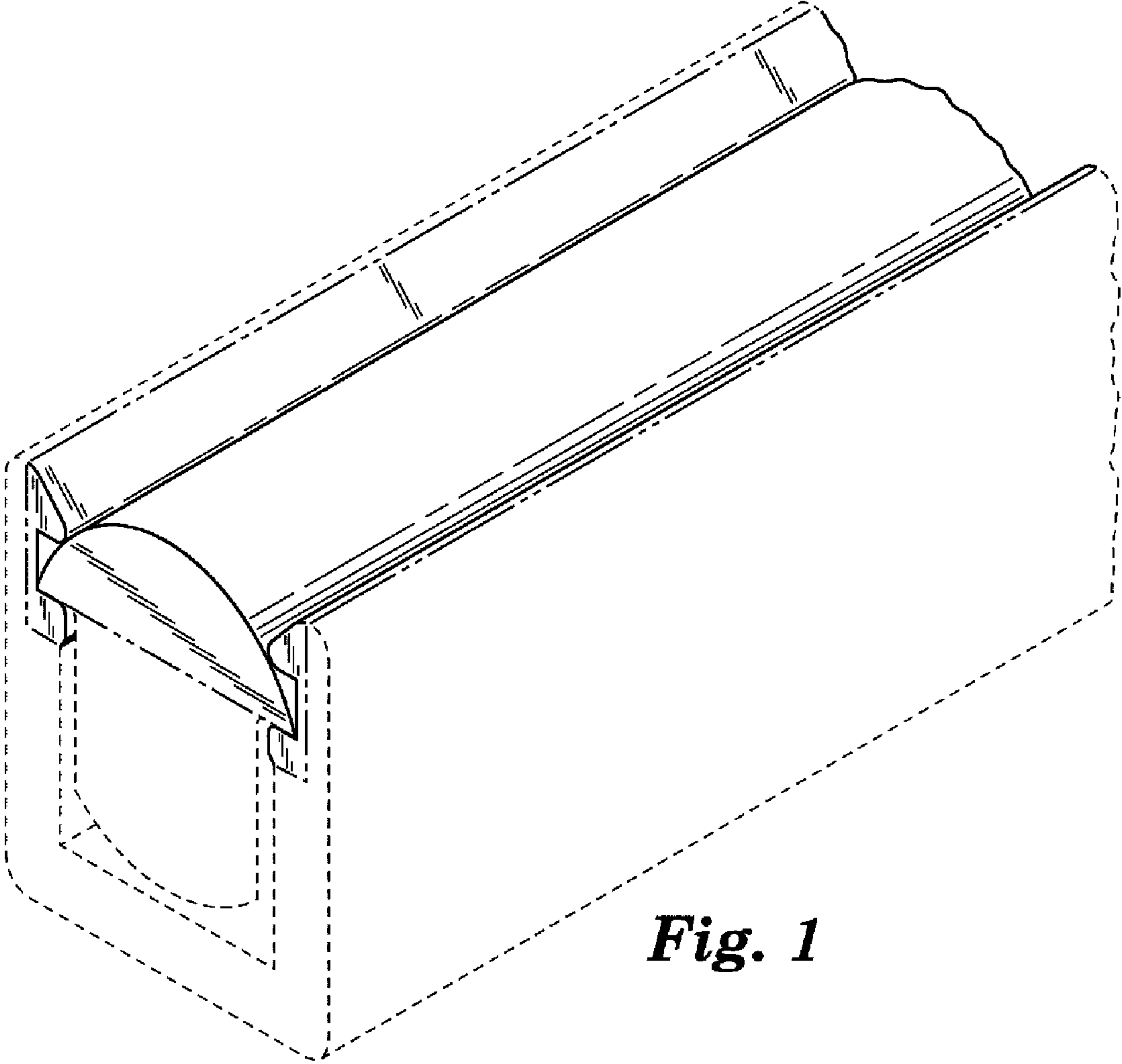


Fig. 1

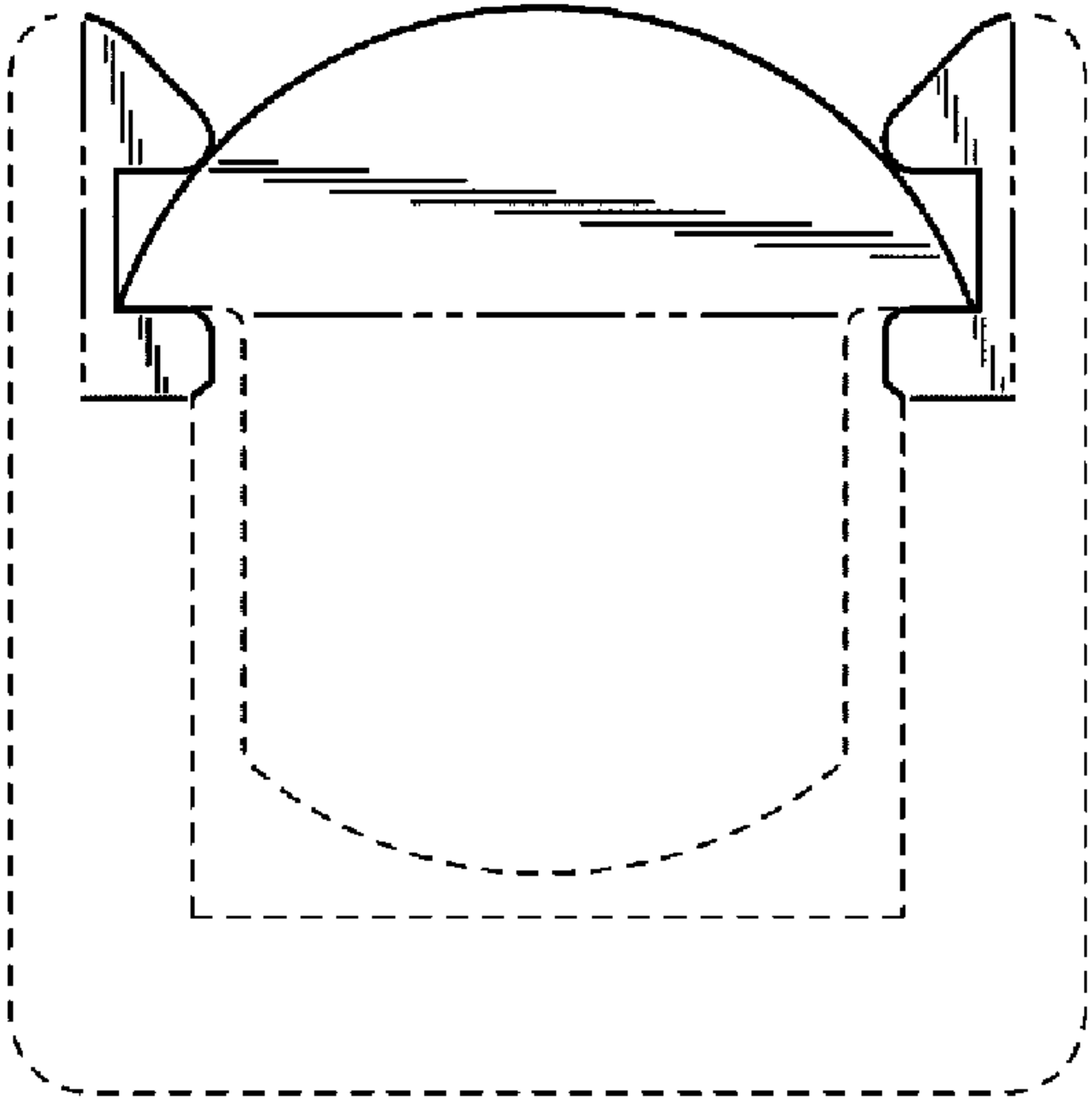


Fig. 2



Fig. 3

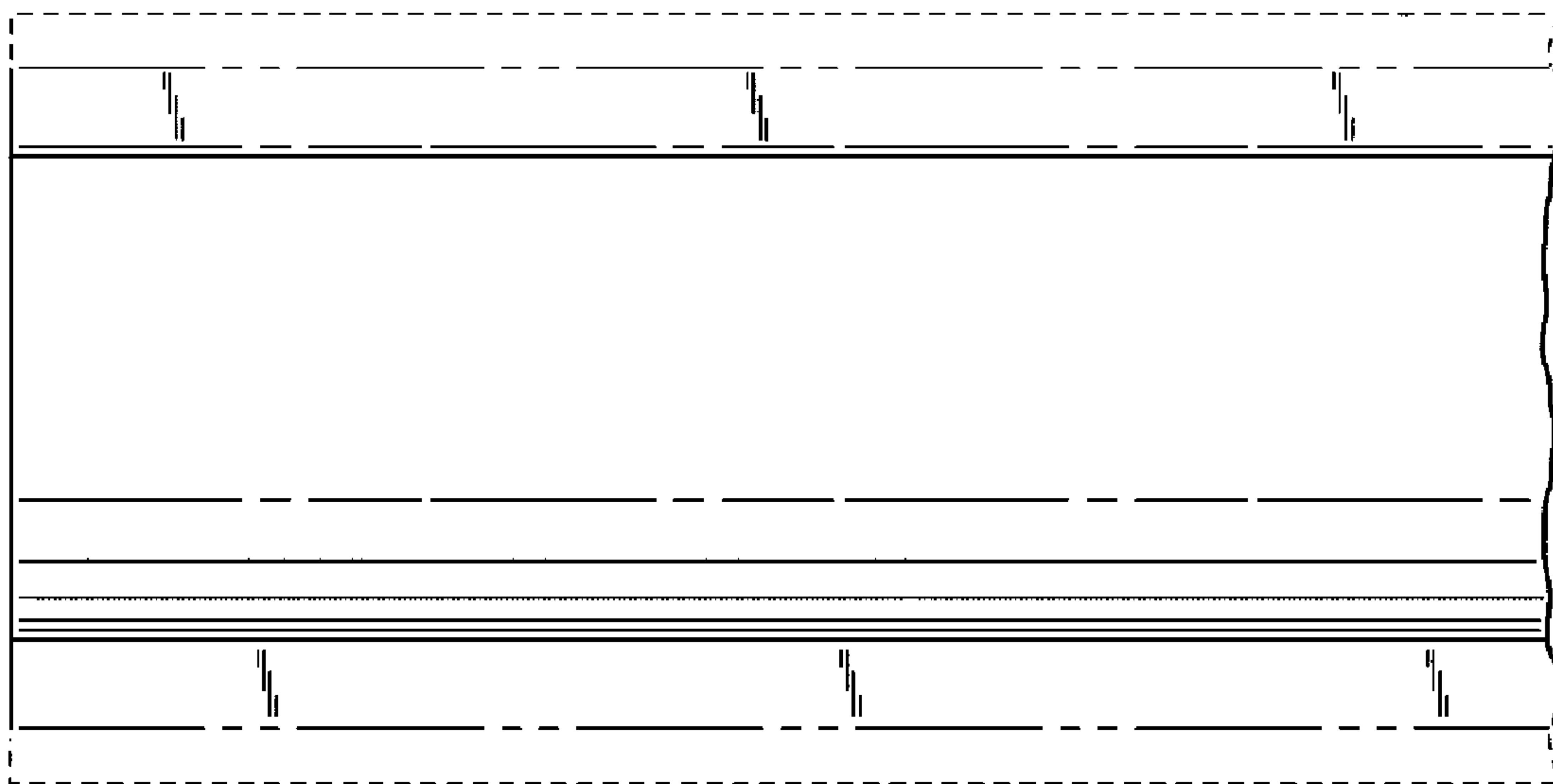


Fig. 4



Fig. 5