



US00D650112S

(12) **United States Design Patent**  
**Bryant**

(10) **Patent No.:** **US D650,112 S**

(45) **Date of Patent:** **\*\* Dec. 6, 2011**

(54) **WALL PACK LIGHT FIXTURE**

(75) **Inventor:** **Christopher Michael Bryant**, Social Circle, GA (US)

(73) **Assignee:** **Cooper Technologies Company**, Houston, TX (US)

(\*\*) **Term:** **14 Years**

(21) **Appl. No.:** **29/389,912**

(22) **Filed:** **Apr. 18, 2011**

(51) **LOC (9) Cl.** ..... **26-03**

(52) **U.S. Cl.** ..... **D26/85**

(58) **Field of Classification Search** ..... D26/72,  
D26/85, 87, 92; 362/147, 404-408, 432  
See application file for complete search history.

(56) **References Cited**

**U.S. PATENT DOCUMENTS**

D228,667 S	*	10/1973	Anderson, Jr.	.....	D26/71
D248,184 S	*	6/1978	Roberts	.....	D26/85
D380,853 S	*	7/1997	Johnson	.....	D26/128
D415,305 S	*	10/1999	Putman	.....	D26/87
D465,050 S	*	10/2002	Crelin	.....	D26/85
D527,134 S	*	8/2006	Bagen	.....	D26/71

D579,141 S	*	10/2008	Guercio	.....	D26/92
D608,040 S	*	1/2010	Guercio	.....	D26/71
D626,271 S	*	10/2010	Verelst	.....	D26/85
D634,873 S	*	3/2011	Guercio	.....	D26/71
D634,878 S	*	3/2011	Guercio et al.	.....	D26/85

\* cited by examiner

*Primary Examiner* — Clare E Heflin

(74) *Attorney, Agent, or Firm* — King & Spalding LLP

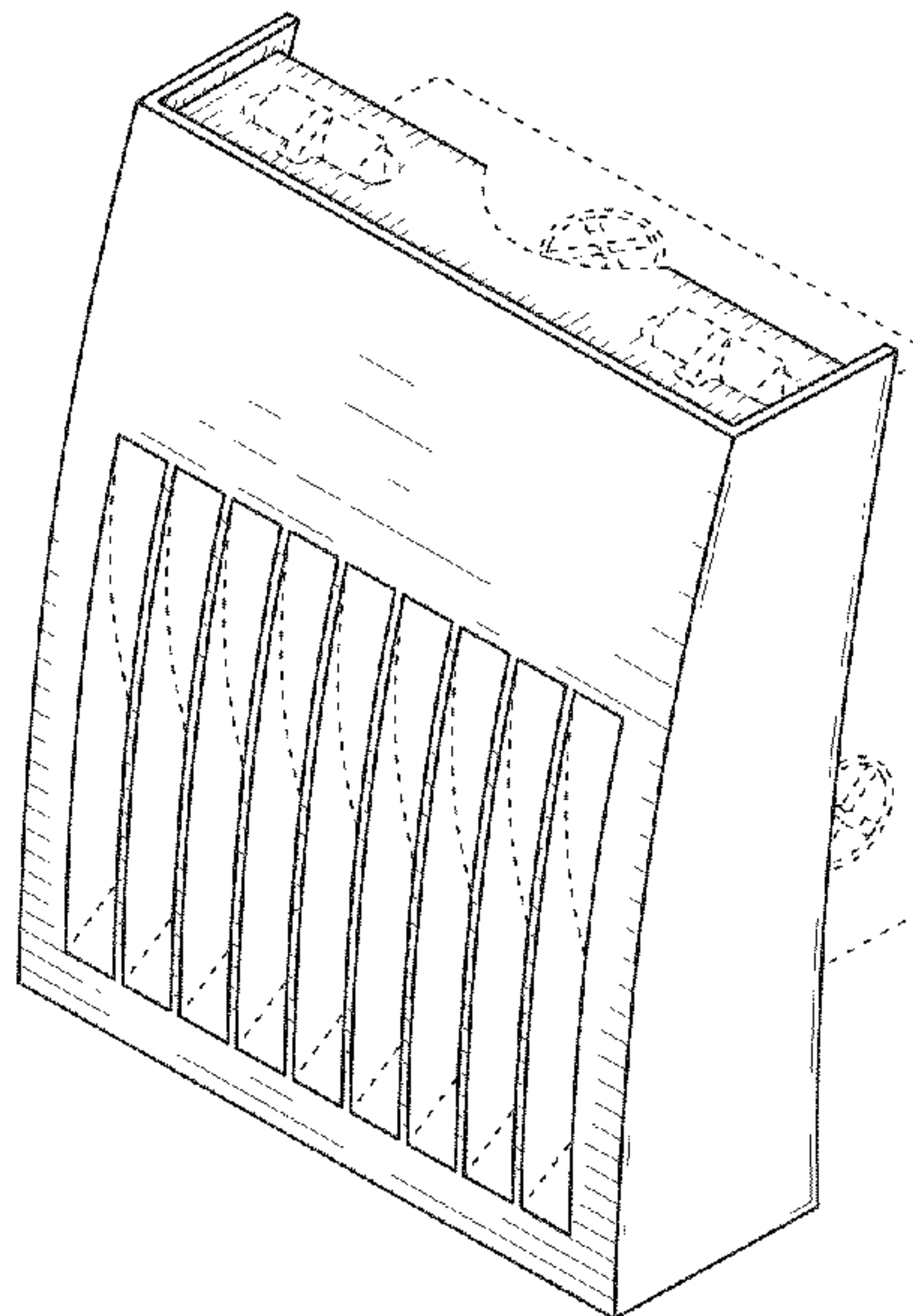
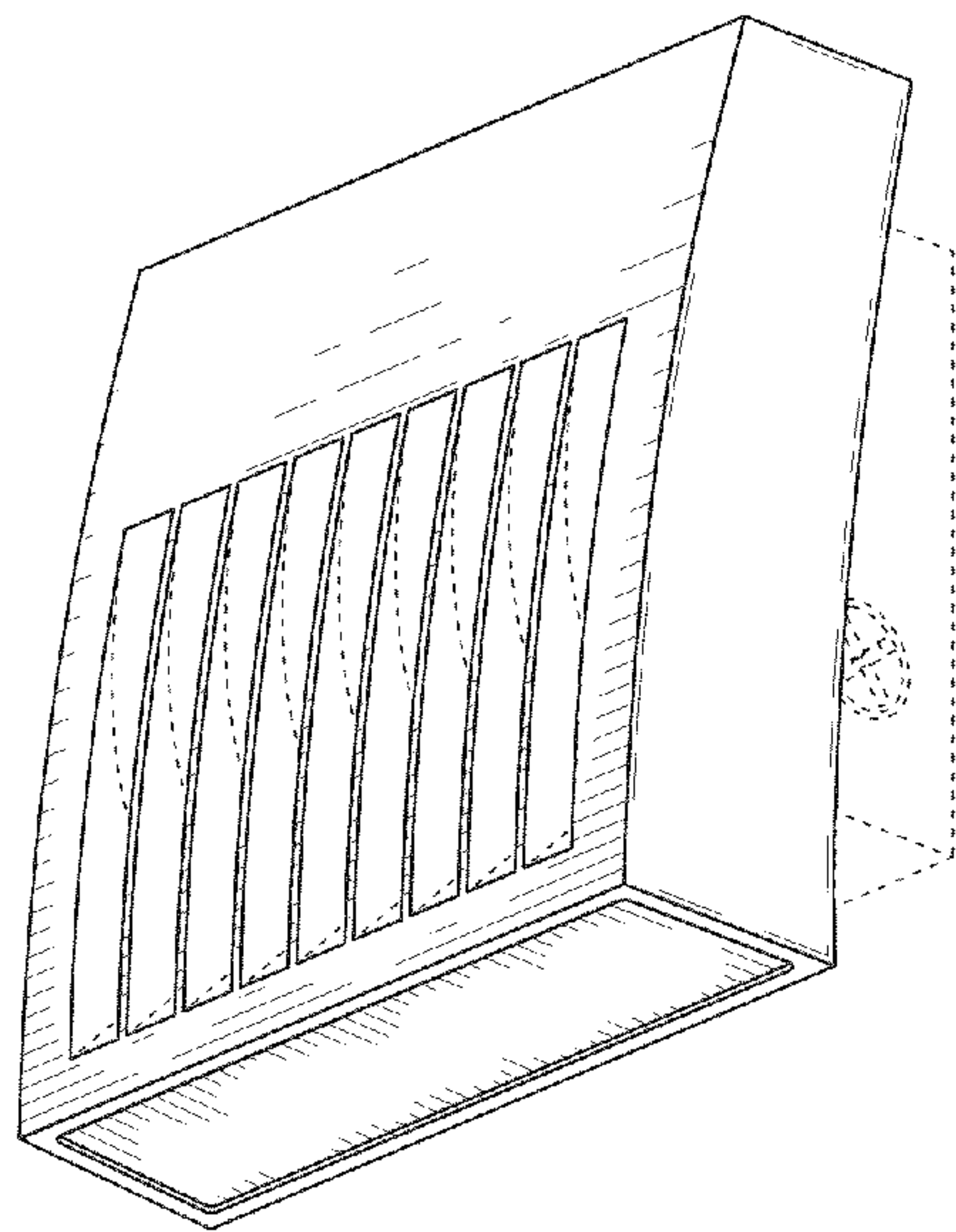
(57) **CLAIM**

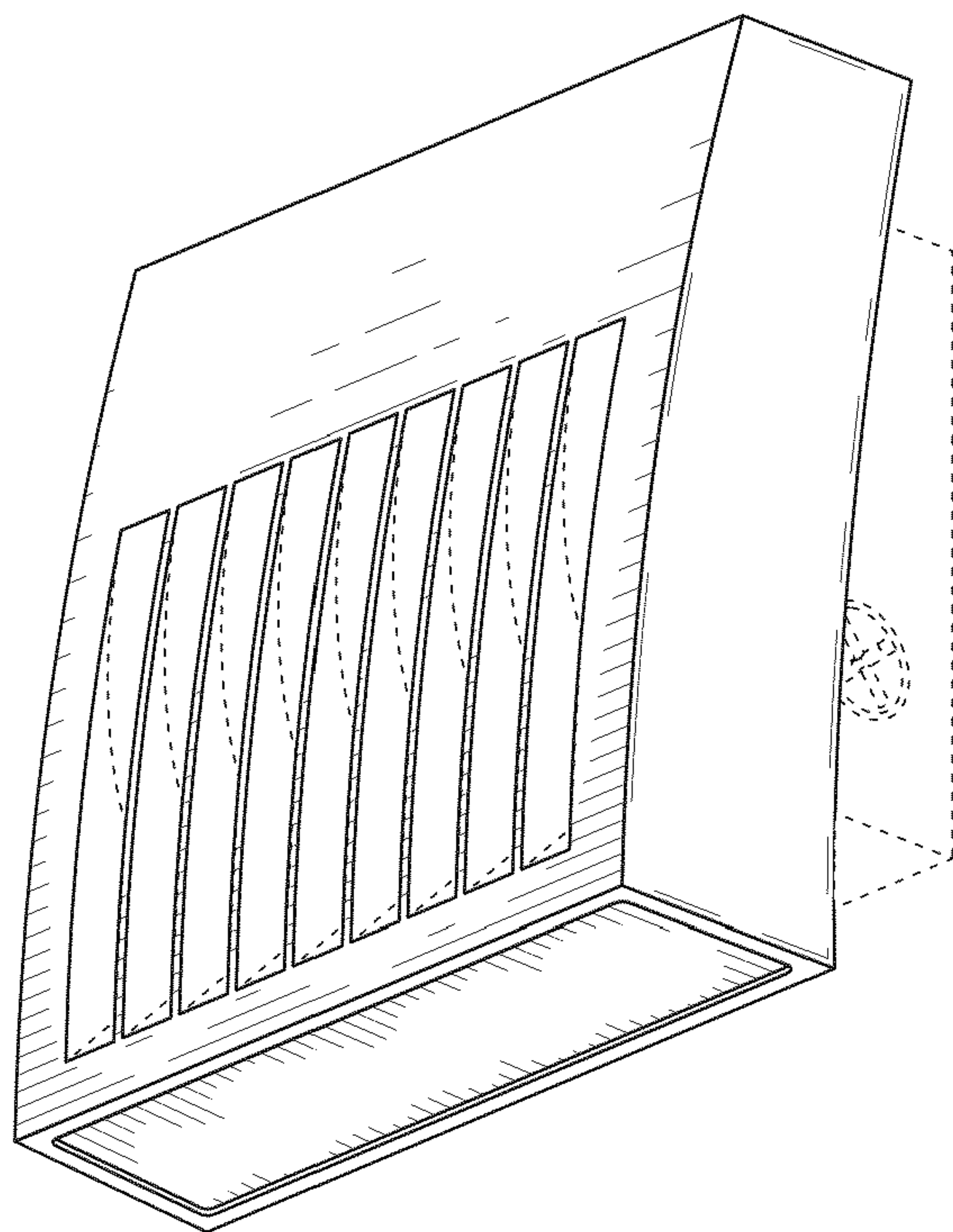
The ornamental design for a wall pack light fixture, as shown and described.

**DESCRIPTION**

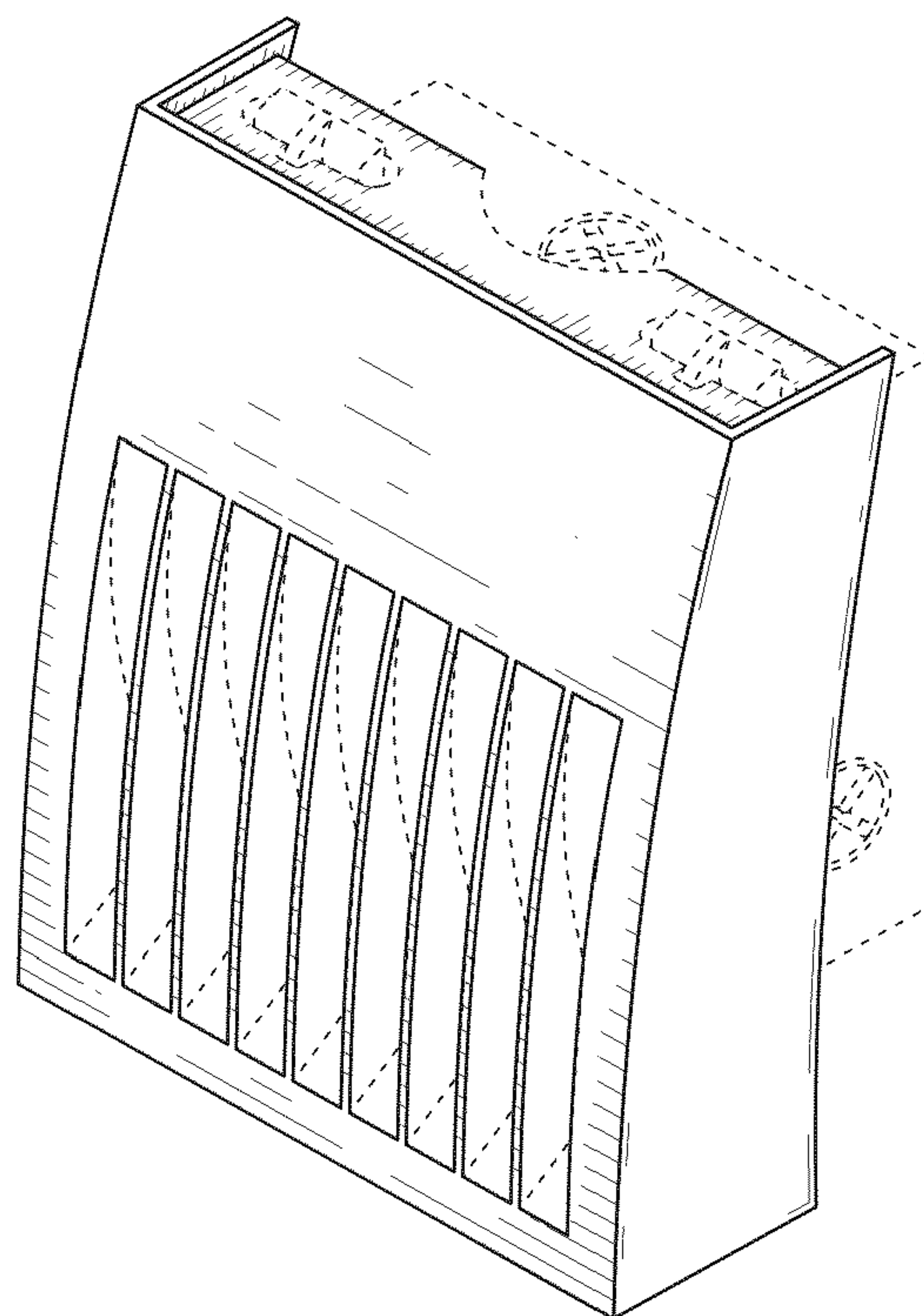
FIG. 1 is a perspective view of a wall pack light fixture, showing my new design;  
FIG. 2 is another perspective view thereof;  
FIG. 3 is a front view thereof;  
FIG. 4 is a left side view thereof;  
FIG. 5 is a right side view thereof;  
FIG. 6 is a top plan view thereof; and,  
FIG. 7 is a bottom plan view thereof.  
The broken lines shown represent unclaimed subject matter and form no part of the claimed design.

**1 Claim, 2 Drawing Sheets**

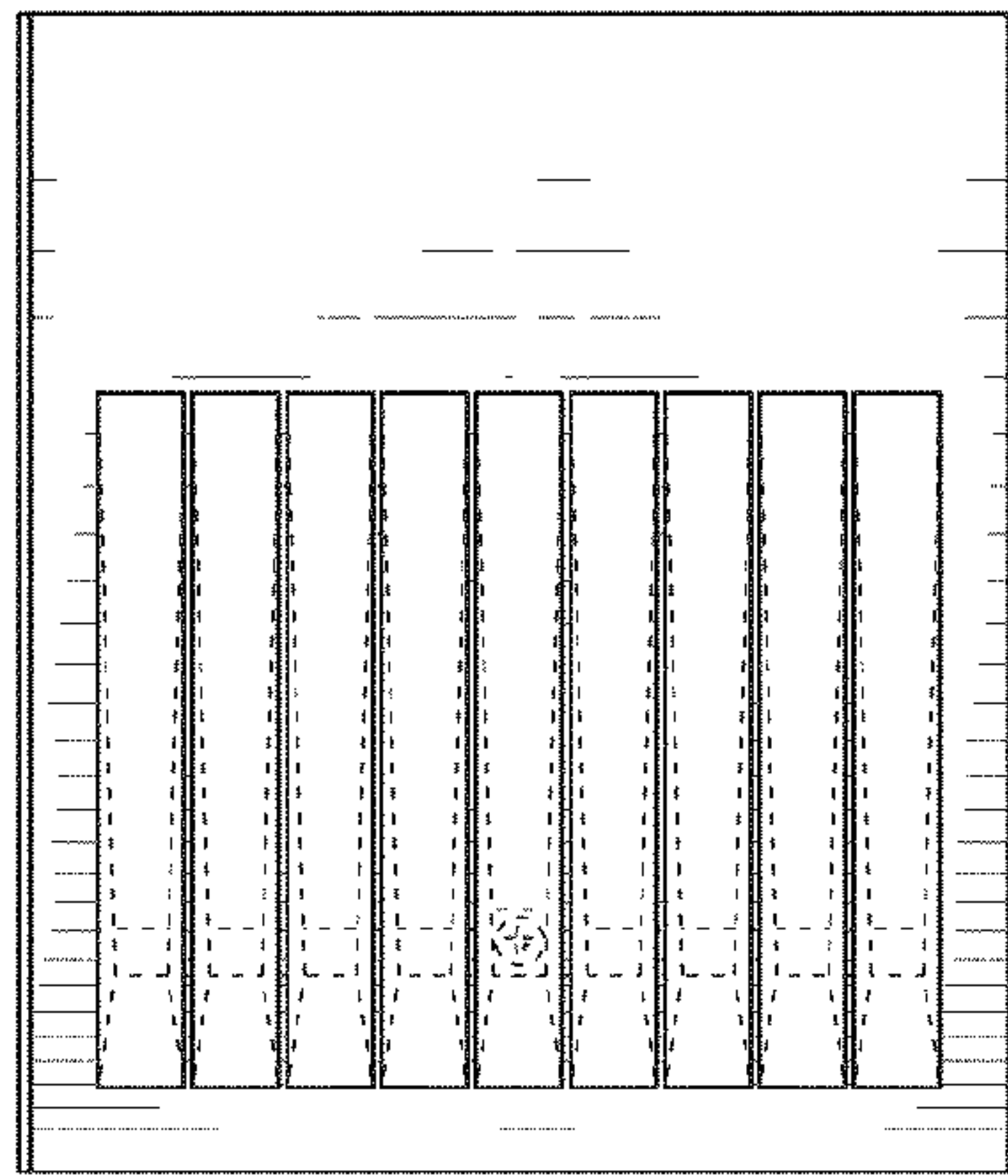




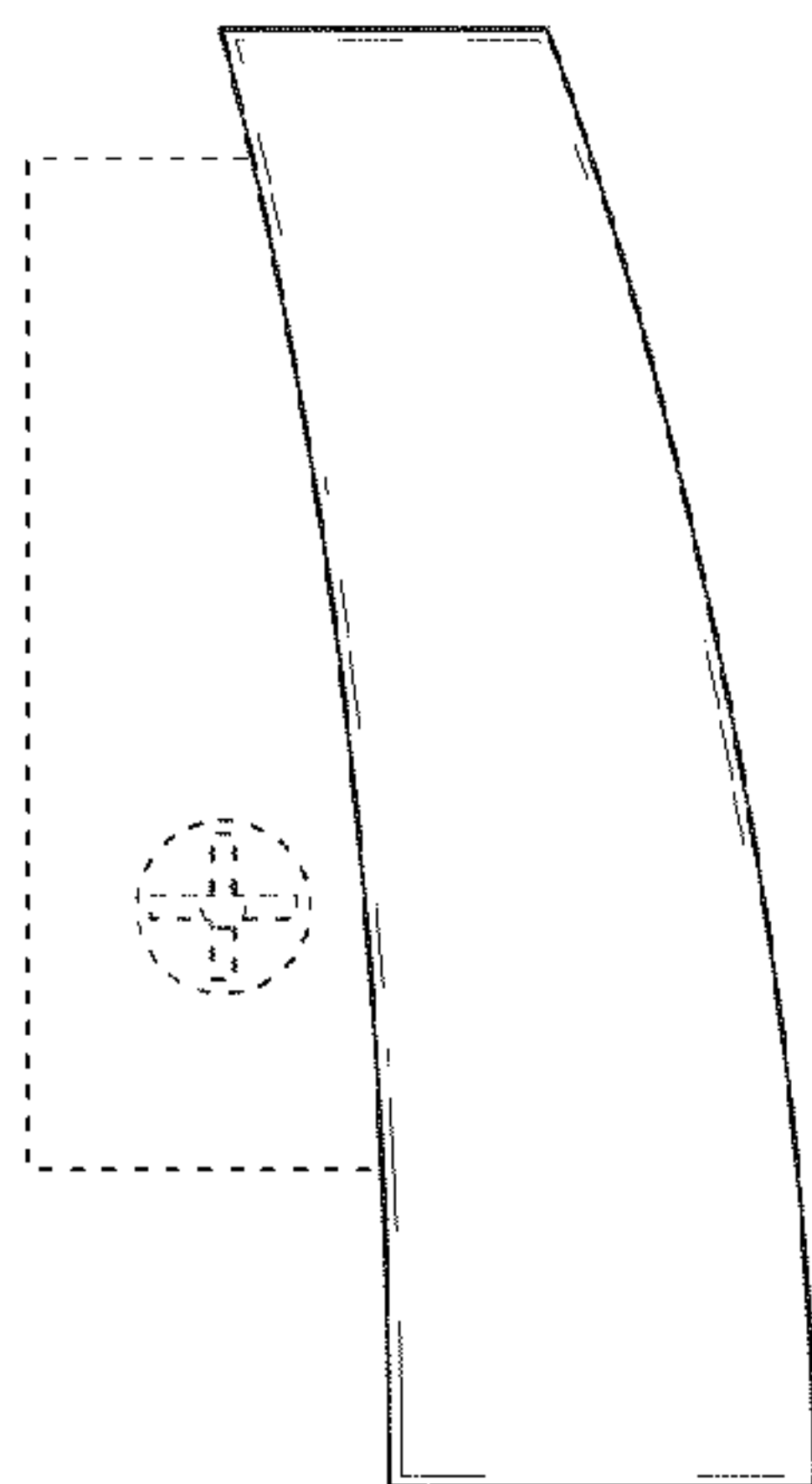
**FIG. 1**



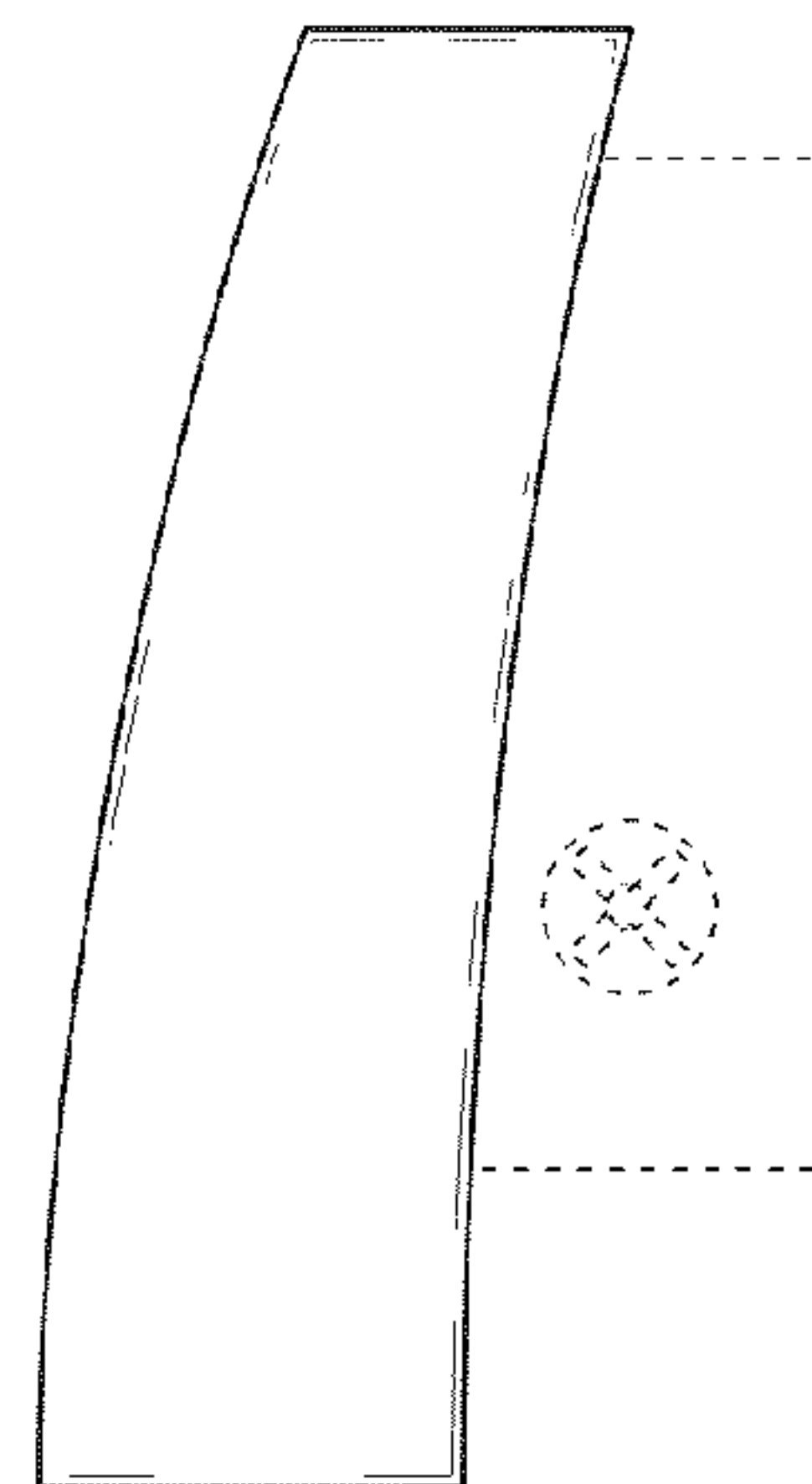
**FIG. 2**



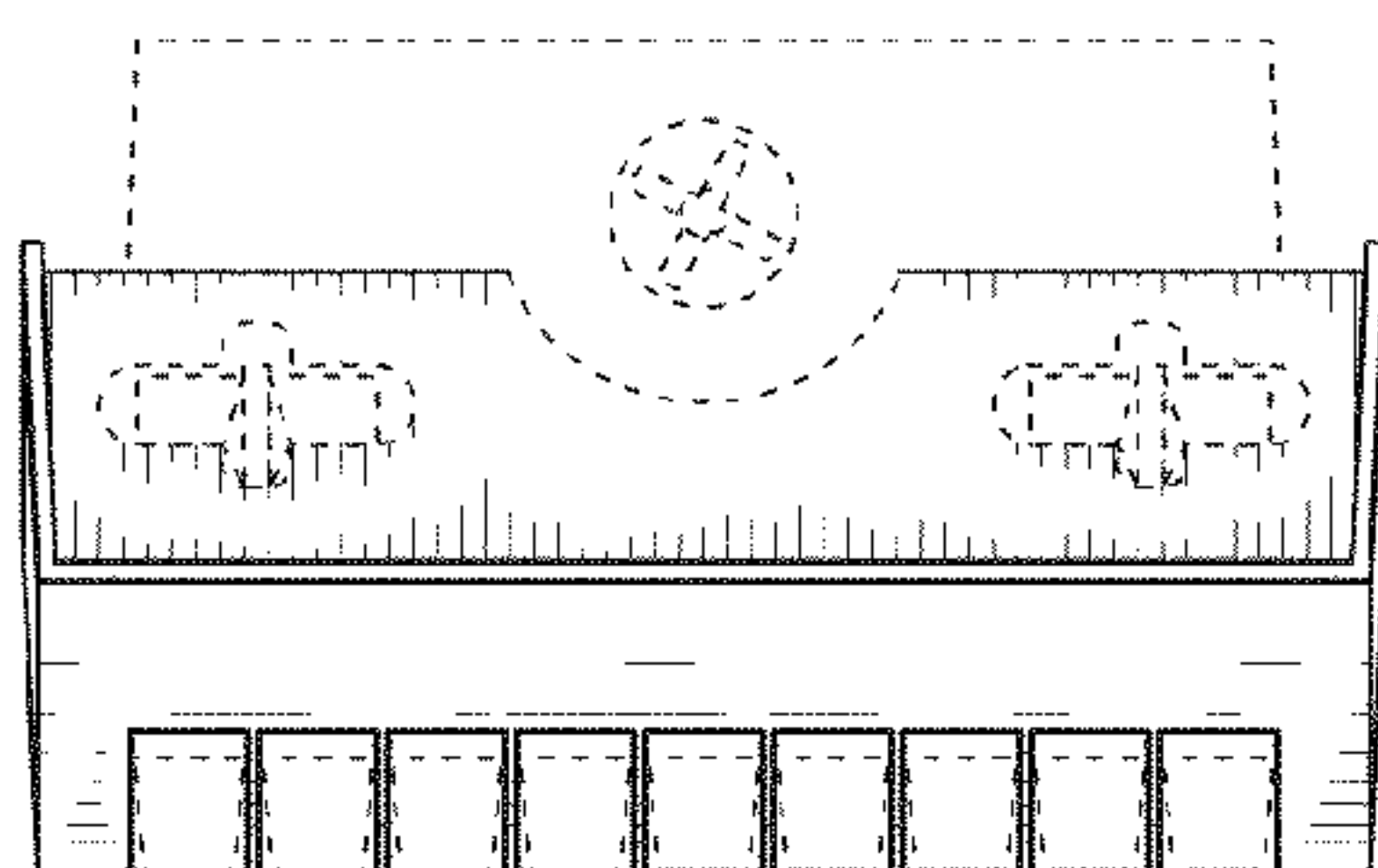
**FIG. 3**



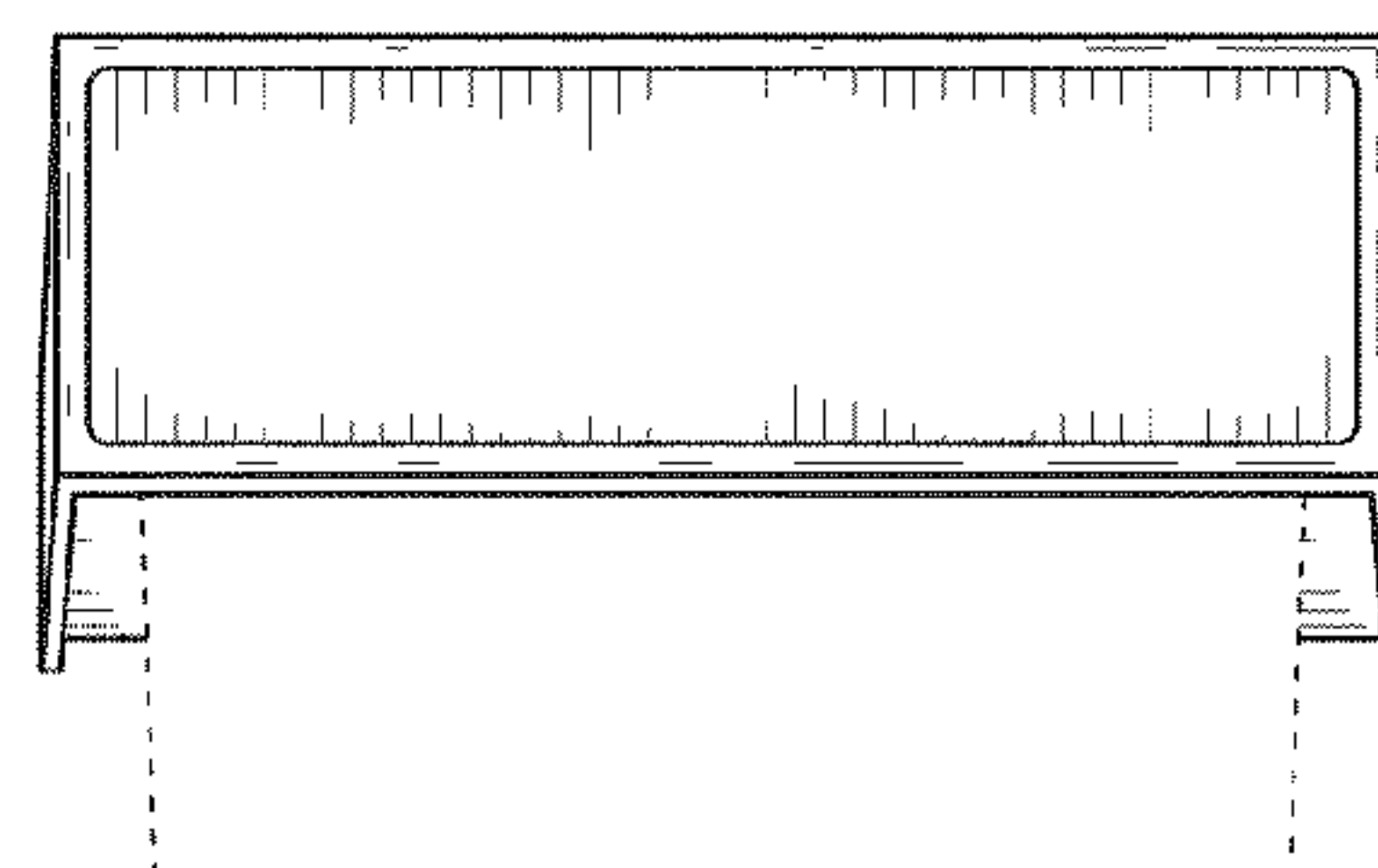
**FIG. 4**



**FIG. 5**



**FIG. 6**



**FIG. 7**