



US00D650110S

(12) **United States Design Patent**
Zhu

(10) **Patent No.:** **US D650,110 S**

(45) **Date of Patent:** **** Dec. 6, 2011**

(54) **STREET LAMP**

(76) Inventor: **Jianrong Zhu**, Rowland Heights, CA
(US)

(**) Term: **14 Years**

(21) Appl. No.: **29/369,539**

(22) Filed: **Sep. 9, 2010**

(51) **LOC (9) Cl.** **26-05**

(52) **U.S. Cl.** **D26/71**

(58) **Field of Classification Search** D26/67-71,
D26/85, 92; 362/145, 183, 231, 240, 249.02,
362/249.03, 249.04, 249.06, 249.16, 373,
362/311.02, 697, 547, 431, 432

See application file for complete search history.

(56) **References Cited**

U.S. PATENT DOCUMENTS

| | | | | | | |
|----------|---|---|---------|----------------|-------|--------|
| D577,455 | S | * | 9/2008 | Zheng et al. | | D26/71 |
| D578,697 | S | * | 10/2008 | Zheng et al. | | D26/71 |
| D599,942 | S | * | 9/2009 | Zheng | | D26/71 |
| D603,077 | S | * | 10/2009 | Kinnune et al. | | D26/71 |
| D610,733 | S | * | 2/2010 | Chang | | D26/71 |

| | | | | | | |
|----------|---|---|--------|-------------------|-------|--------|
| D615,233 | S | * | 5/2010 | Josefowicz et al. | | D26/71 |
| D615,235 | S | * | 5/2010 | Zheng | | D26/71 |
| D619,749 | S | * | 7/2010 | Jong | | D26/71 |
| D631,999 | S | * | 2/2011 | Little et al. | | D26/71 |
| D632,000 | S | * | 2/2011 | Little et al. | | D26/71 |
| D632,819 | S | * | 2/2011 | Kong et al. | | D26/71 |
| D634,874 | S | * | 3/2011 | Yamada et al. | | D26/71 |
| D634,875 | S | * | 3/2011 | Jiang et al. | | D26/71 |

* cited by examiner

Primary Examiner — Clare E Heflin

(74) *Attorney, Agent, or Firm* — Michael D. Eisenberg

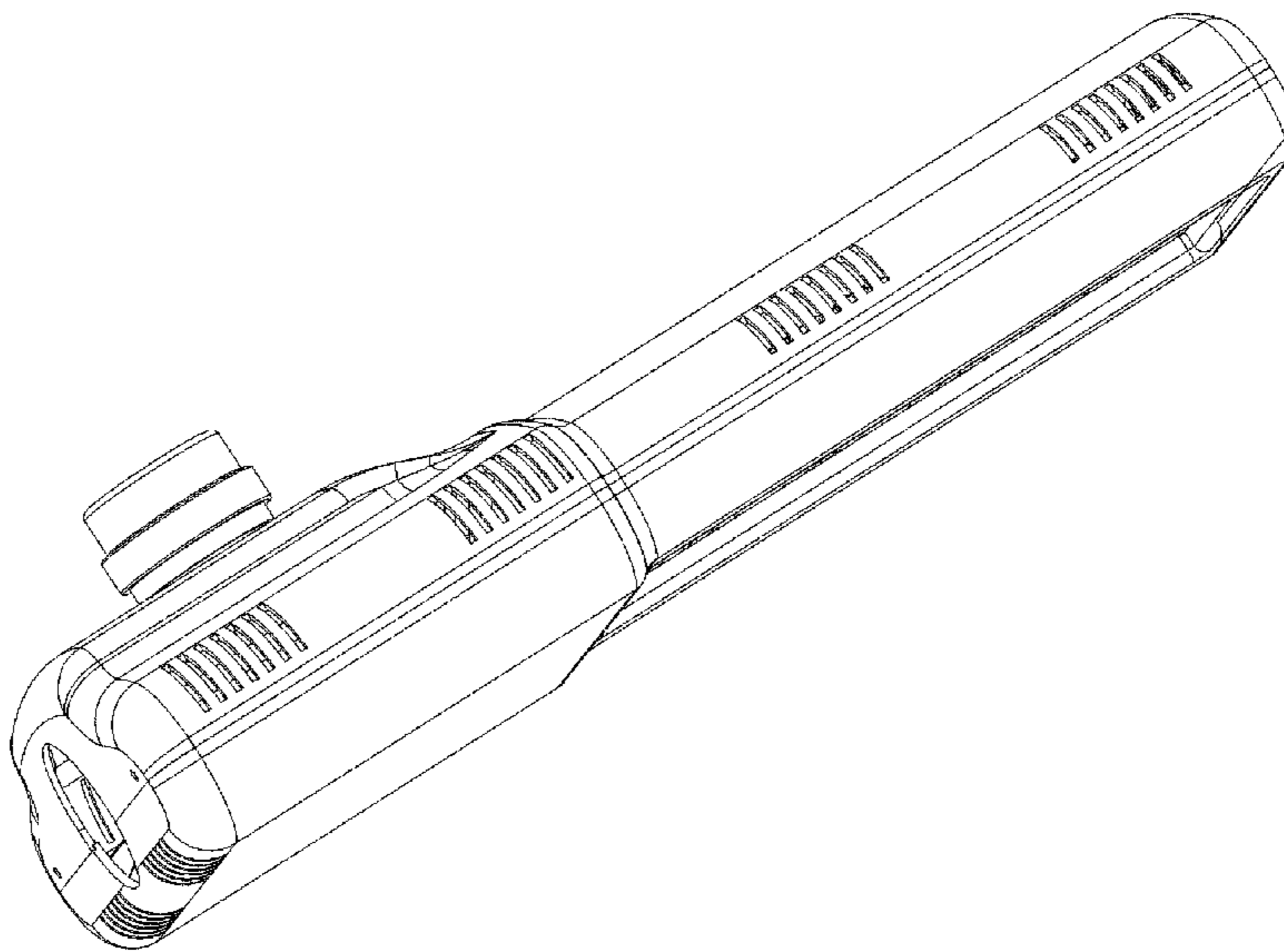
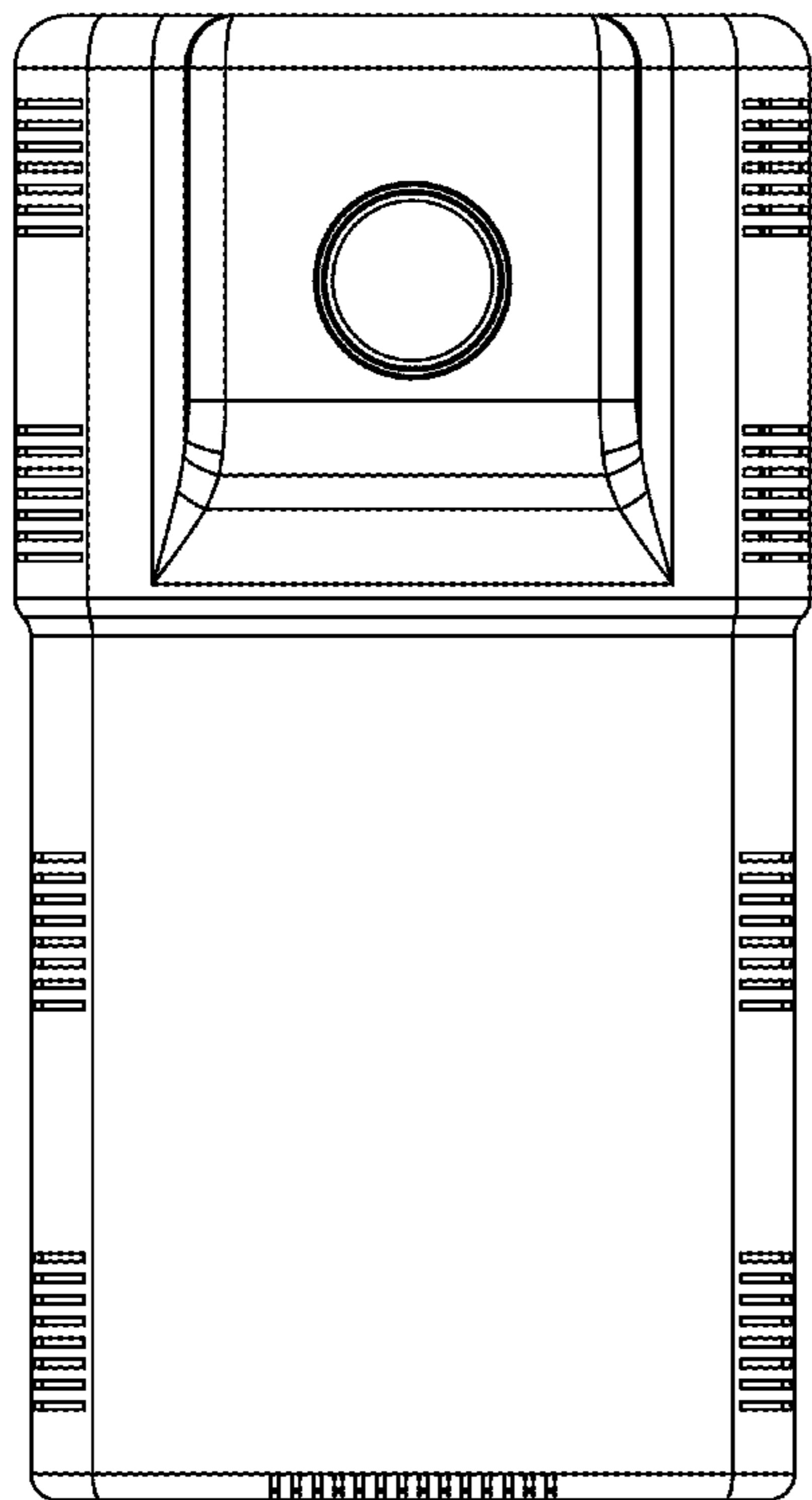
(57) **CLAIM**

The ornamental design for the street lamp, as shown and described.

DESCRIPTION

FIG. 1 is a top view of the street lamp;
FIG. 2 is a bottom view of the street lamp;
FIG. 3 is a right side view of the street lamp;
FIG. 4 is a left side view of the street lamp;
FIG. 5 is back view of the street lamp;
FIG. 6 is a front view of the street lamp; and,
FIG. 7 is a perspective view of the street lamp.

1 Claim, 7 Drawing Sheets



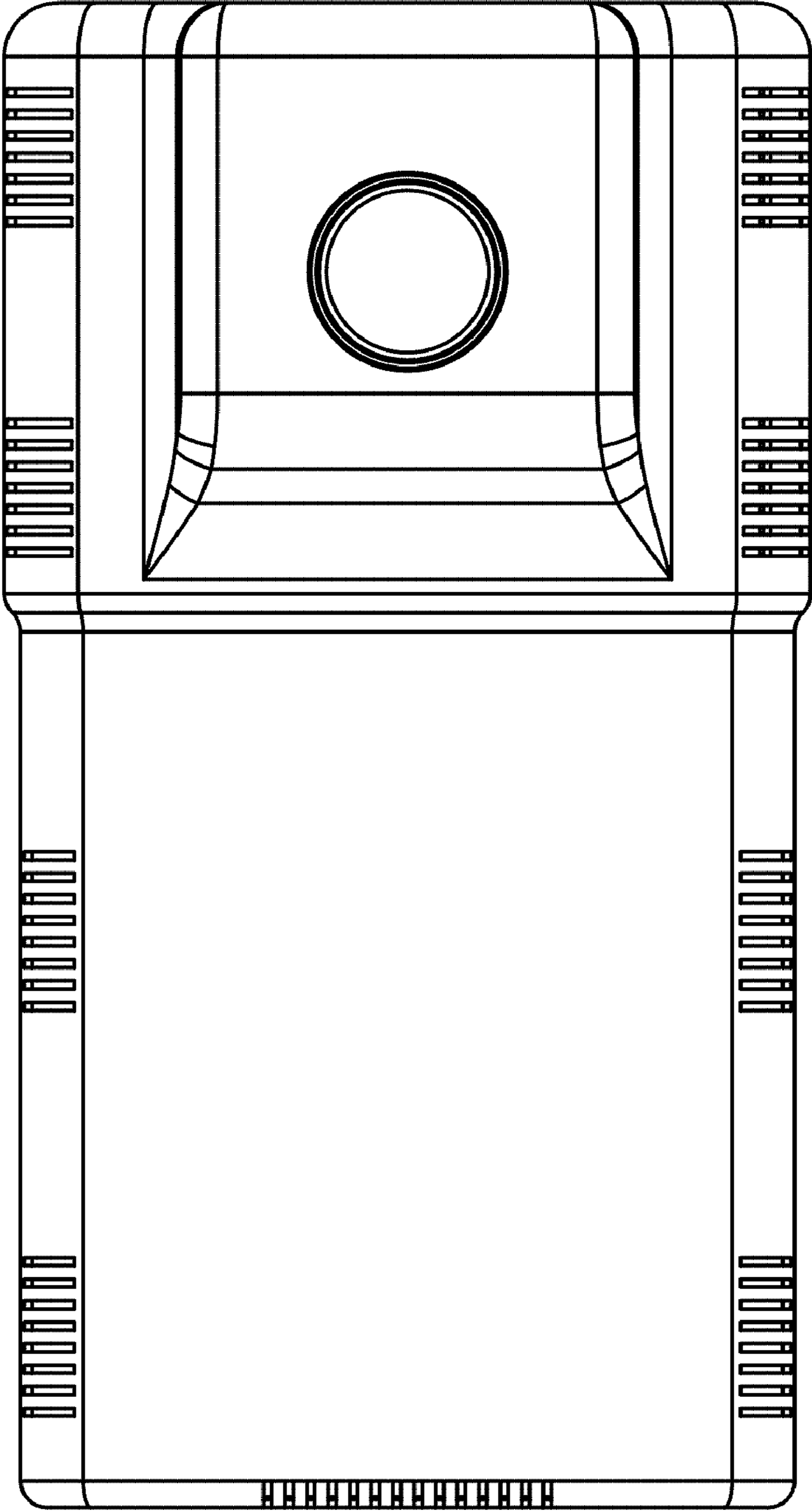


Fig. 1

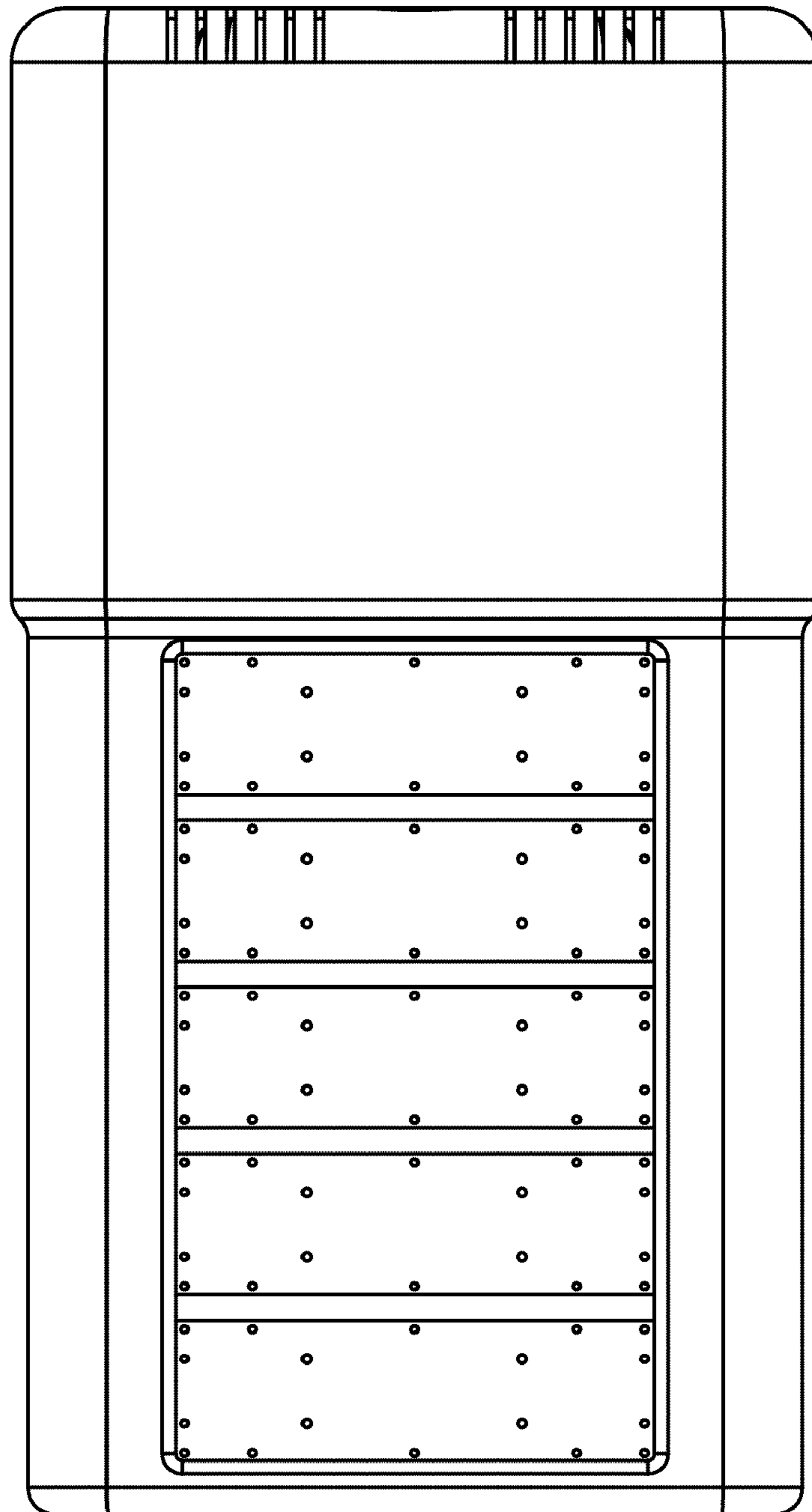


Fig. 2

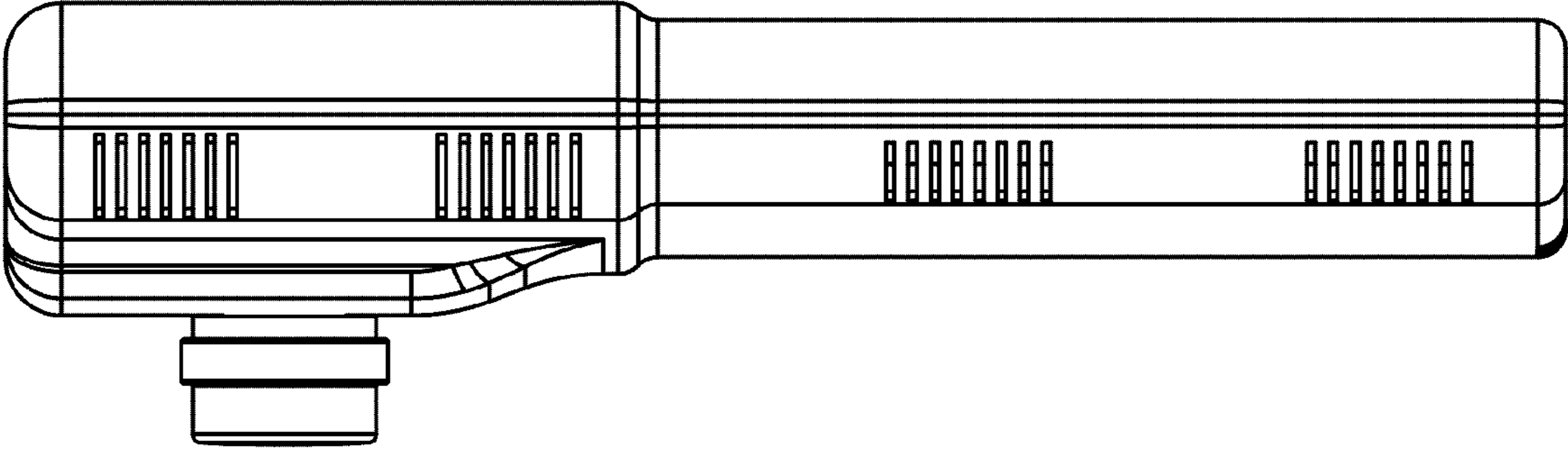


Fig. 3

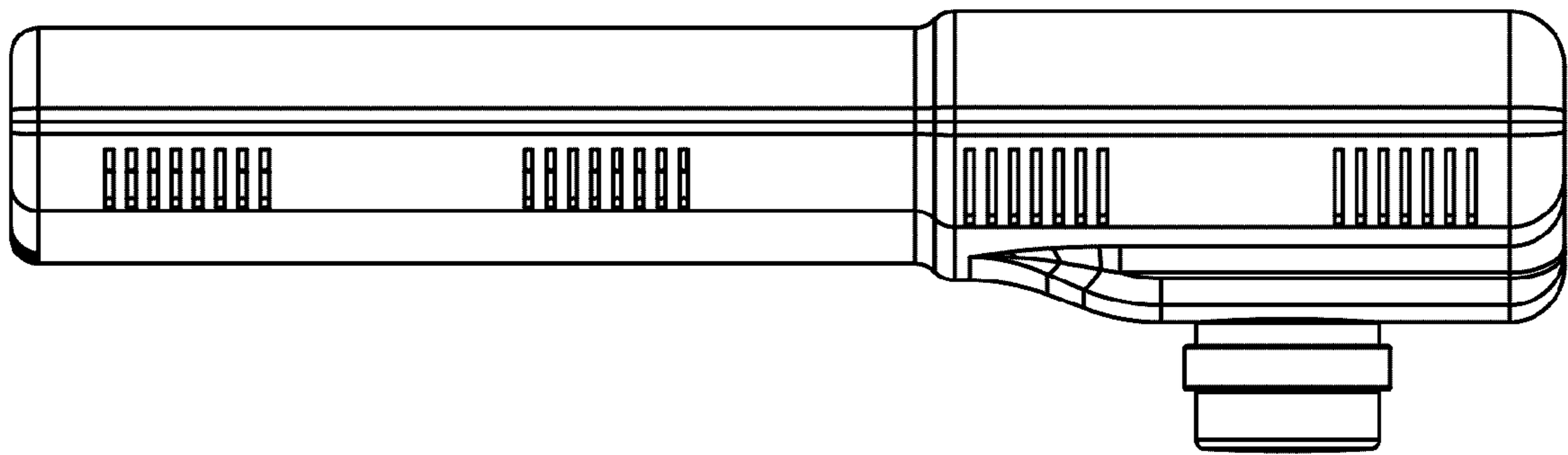


Fig. 4

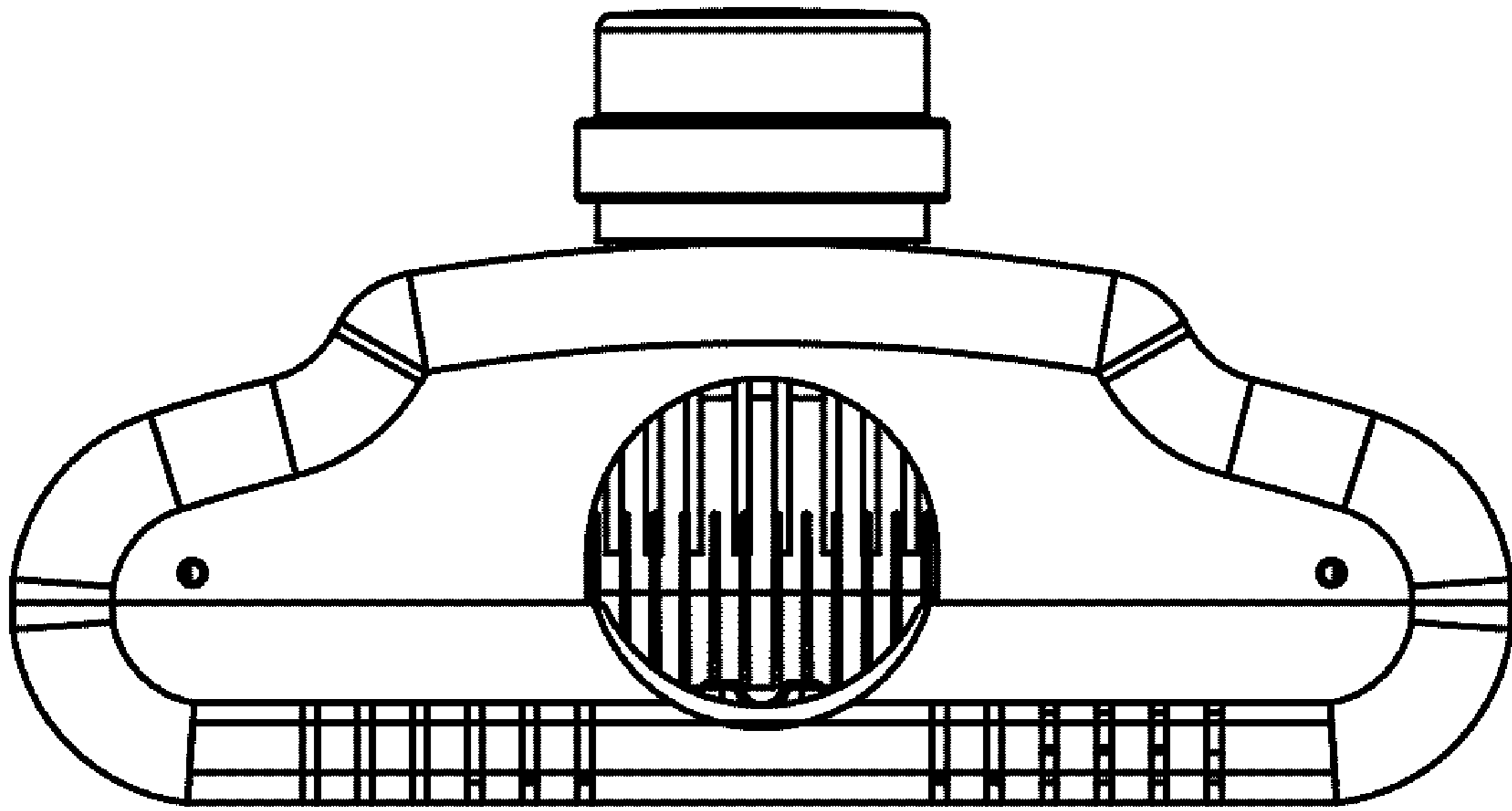


Fig. 5

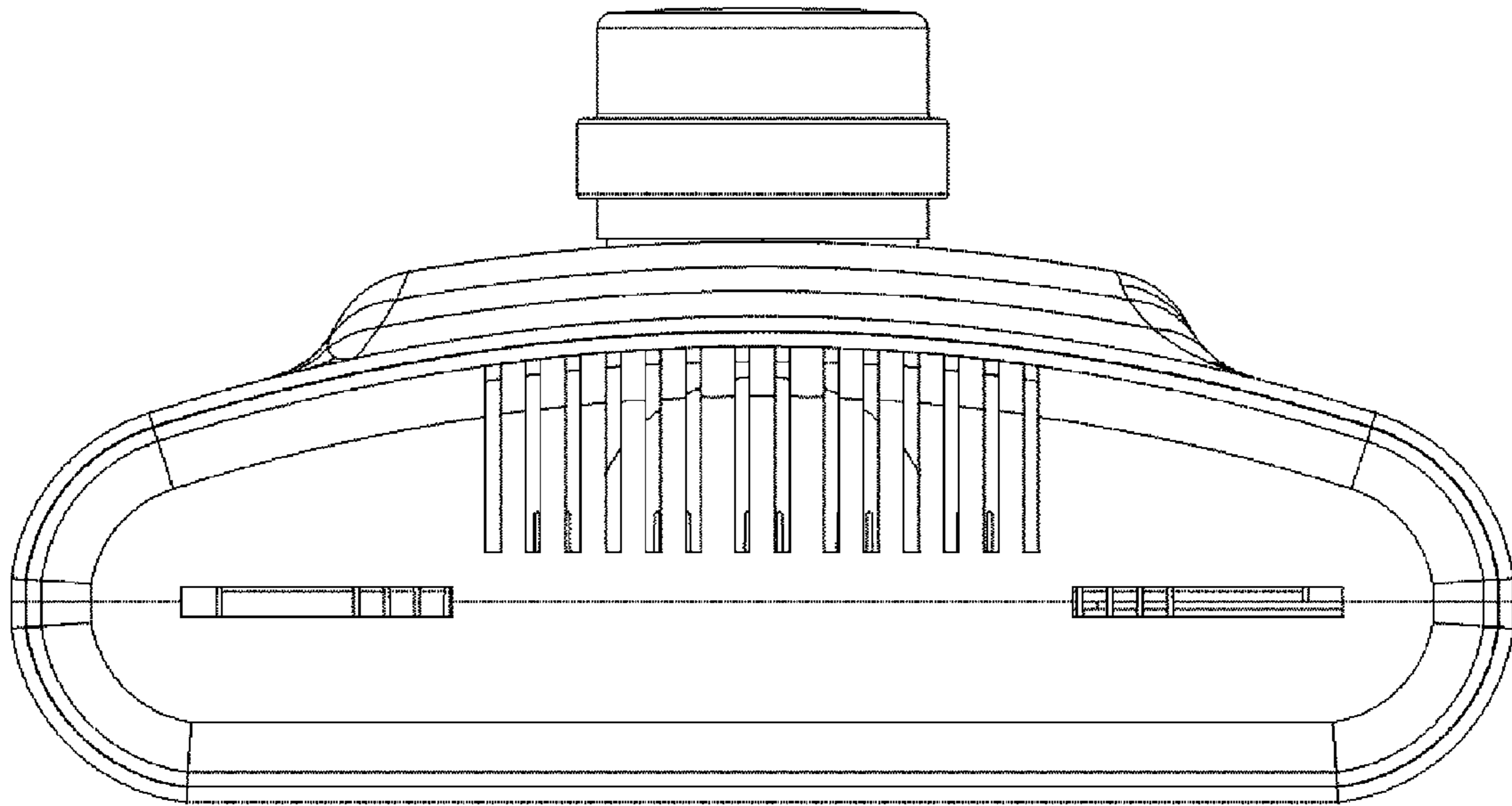


Fig. 6

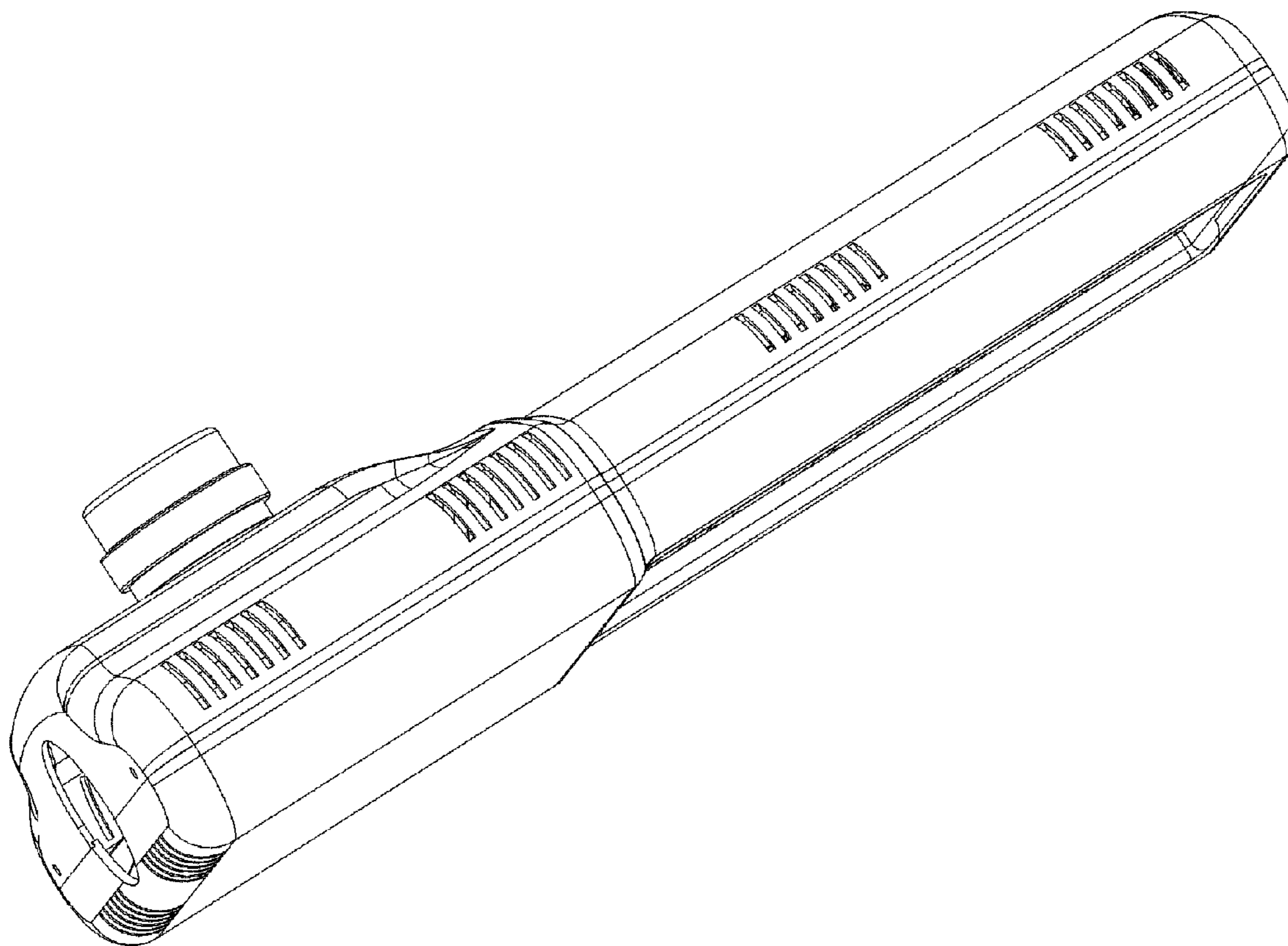


Fig. 7