



US00D650109S

(12) **United States Design Patent**
Maxik et al.

(10) **Patent No.:** **US D650,109 S**
(45) **Date of Patent:** **** Dec. 6, 2011**

(54) **LED FIXTURE**

(75) Inventors: **Fredric S. Maxik**, Indialantic, FL (US);
Robert R. Soler, Cocoa Beach, FL (US);
David E. Bartine, Cocoa, FL (US);
Addy S. Widjaja, Palm Bay, FL (US);
James Lynn Schellack, Cocoa Beach,
FL (US); **Erica Rene Voss**, Indialantic,
FL (US)

(73) Assignee: **Lighting Science Group Corporation**,
Satellite Beach, FL (US)

(**) Term: **14 Years**

(21) Appl. No.: **29/391,946**

(22) Filed: **May 15, 2011**

(51) **LOC (9) Cl.** **26-05**

(52) **U.S. Cl.** **D26/63**

(58) **Field of Classification Search** D26/60-66,
D26/72, 80-90, 92, 91; 362/227, 249.1,
362/235, 236, 240, 249.01-249.03, 249.07,
362/249.16, 212, 213, 145, 147, 280, 281,
362/284, 289, 311.13, 404, 408, 427, 430,
362/800, 319, 322, 311.02, 413, 414, 418,
362/368-373, 184, 191, 311.01

See application file for complete search history.

(56) **References Cited**

U.S. PATENT DOCUMENTS

D272,656 S * 2/1984 Parker D26/65
D539,943 S * 4/2007 Egawa et al. D26/72
D539,944 S * 4/2007 Egawa et al. D26/72
D552,781 S * 10/2007 Kosche et al. D26/63

D574,090 S * 7/2008 Takada et al. D26/1
D576,333 S * 9/2008 Benensohn D26/72
D580,577 S * 11/2008 Wang et al. D26/63
7,780,318 B2 * 8/2010 Xiao et al. 362/371
D640,822 S * 6/2011 Wildner D26/89
7,976,197 B2 * 7/2011 Chen 362/294
7,997,761 B2 * 8/2011 Peck et al. 362/249.02
D645,184 S * 9/2011 Zhan D26/63

* cited by examiner

Primary Examiner — Susan M Lee

Assistant Examiner — Linda G. Brooks

(74) *Attorney, Agent, or Firm* — Mark R. Malek, Esq.; Zeis
Wilderman & Malek

(57) **CLAIM**

The ornamental design for an LED fixture, as shown and
described.

DESCRIPTION

FIG. 1 is a perspective view of an LED fixture according to the
present invention, wherein the dotted lines depict a support
leg that is not a claimed feature of the present invention.

FIG. 2 is a front elevation view of the LED fixture illustrated
in FIG. 1.

FIG. 3 is a rear elevation view of the LED fixture illustrated in
FIG. 1.

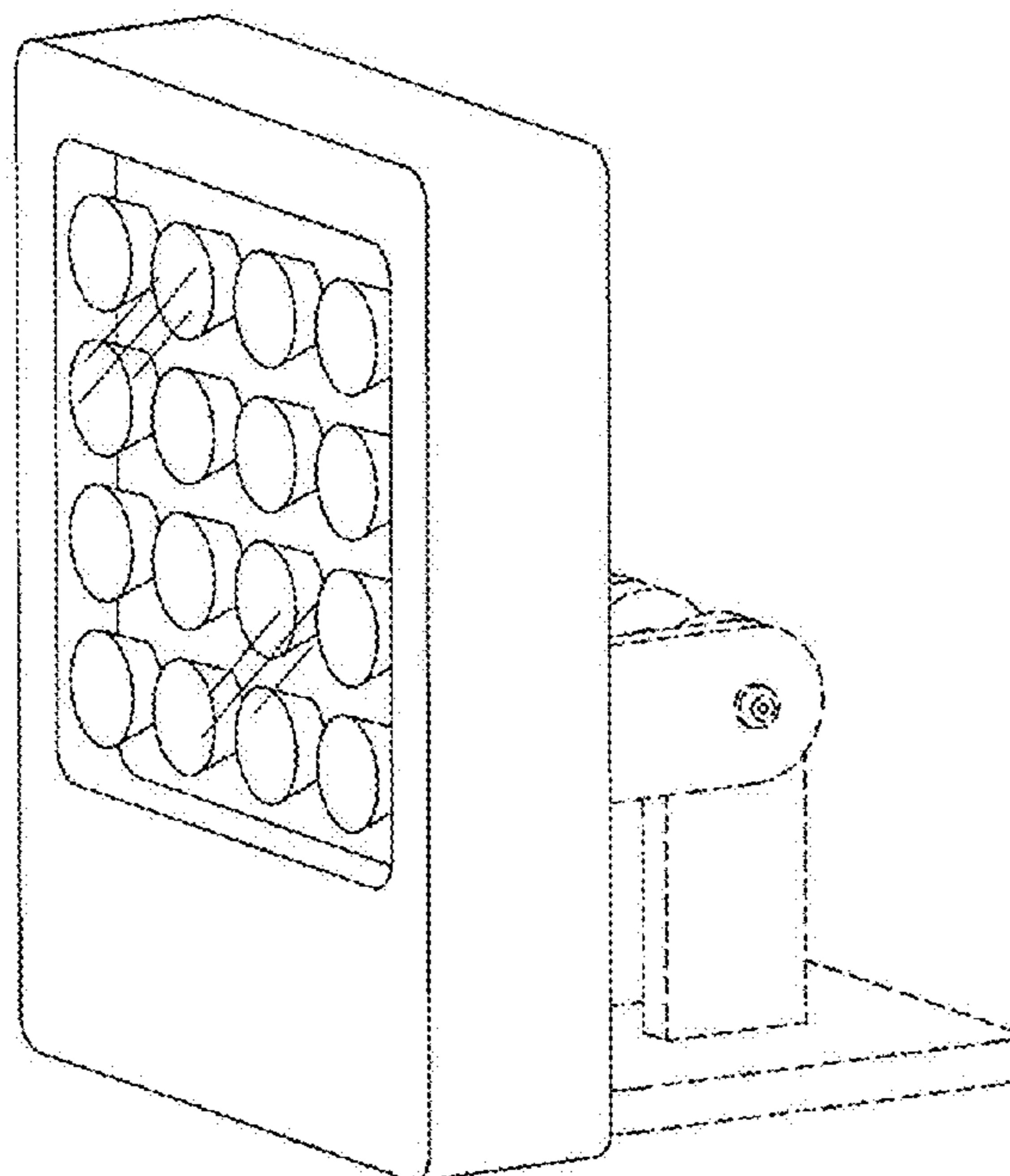
FIG. 4 is a top plan view of the LED fixture illustrated in FIG.
1.

FIG. 5 is a bottom plan view of the LED fixture illustrated in
FIG. 1.

FIG. 6 is a first end elevation view of the LED fixture illus-
trated in FIG. 1; and,

FIG. 7 is a second end elevation view of the LED fixture
illustrated in FIG. 1.

1 Claim, 3 Drawing Sheets



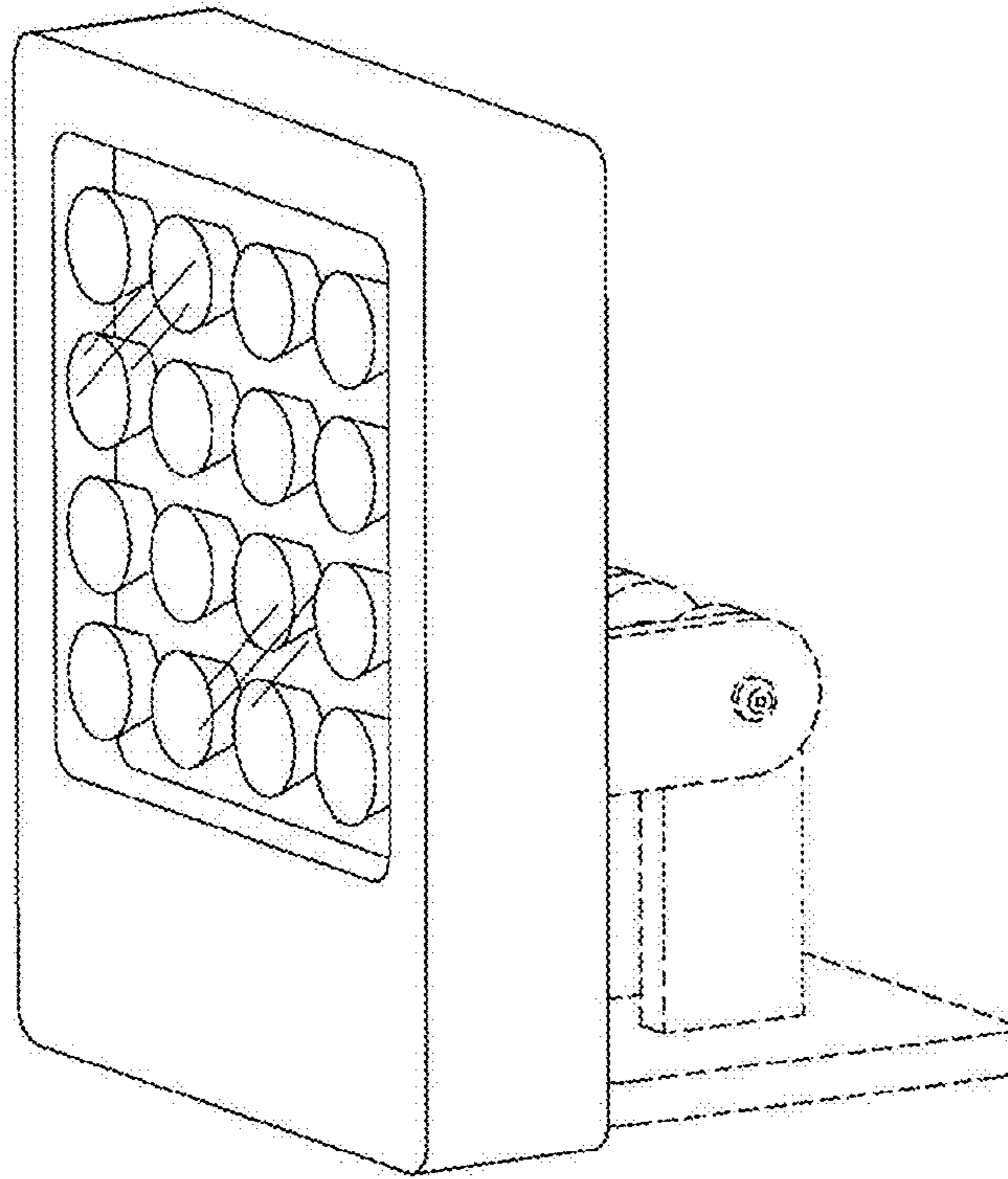


Fig. 1

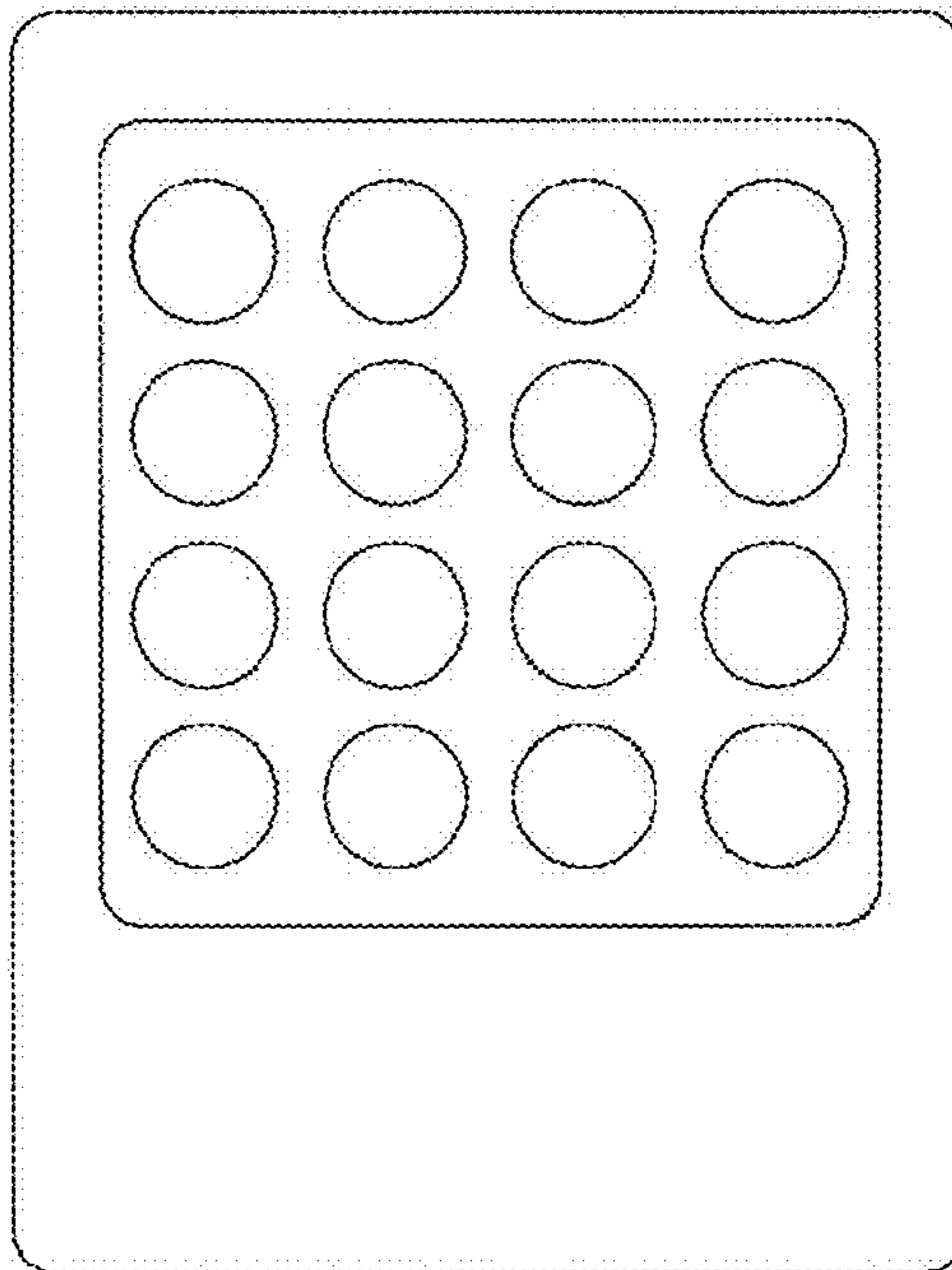


Fig. 2

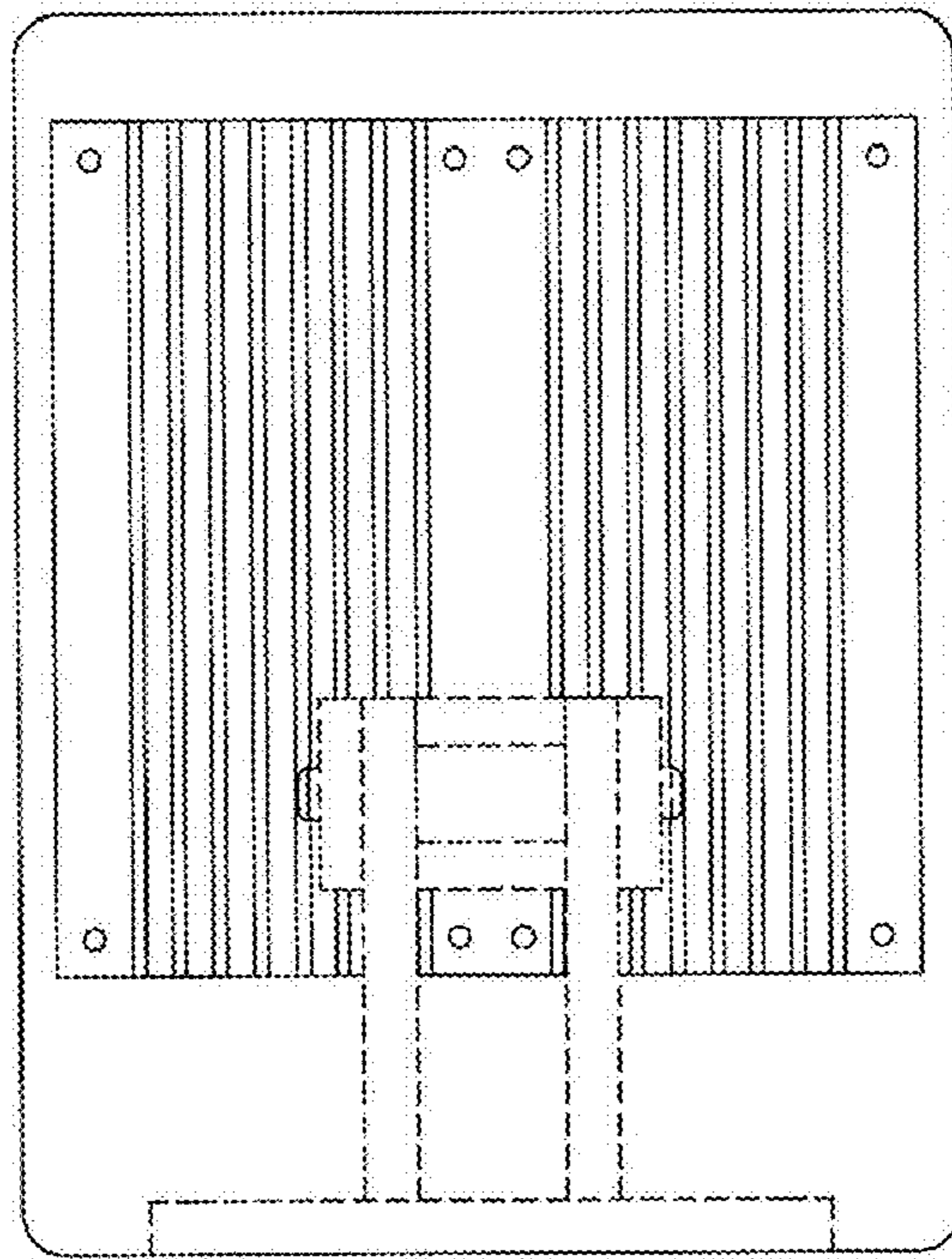


Fig. 3

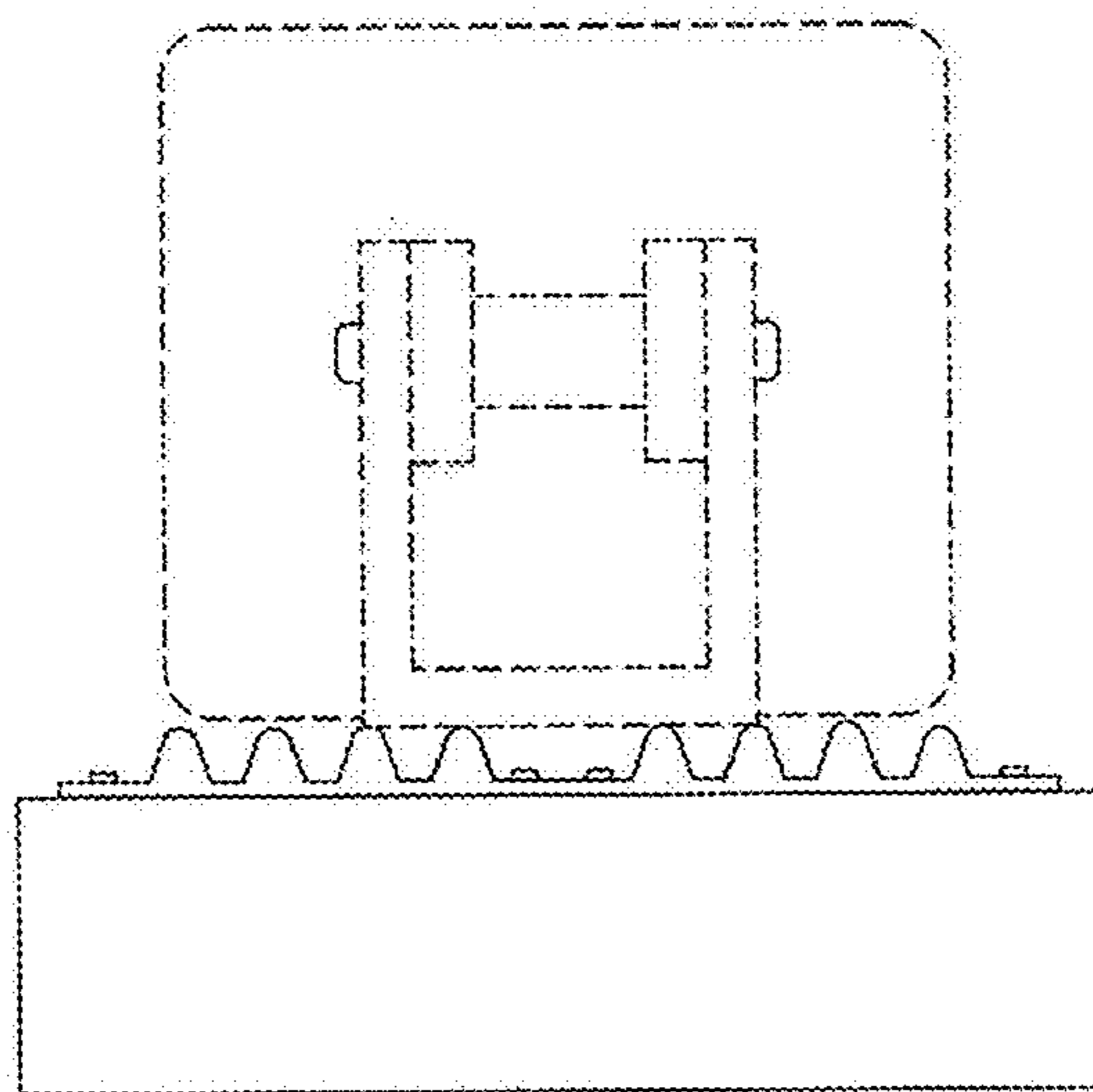


Fig. 4

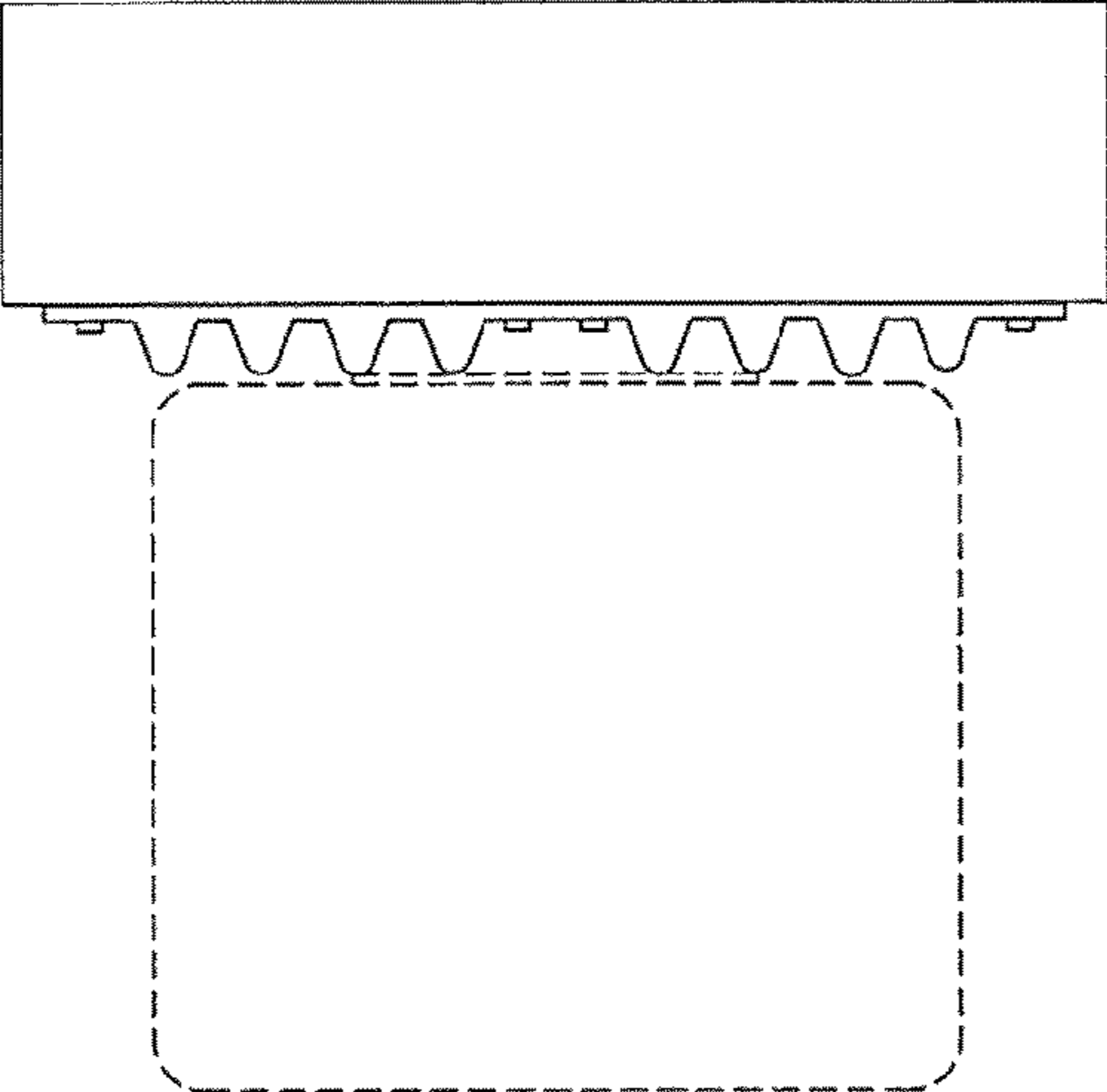


Fig. 5

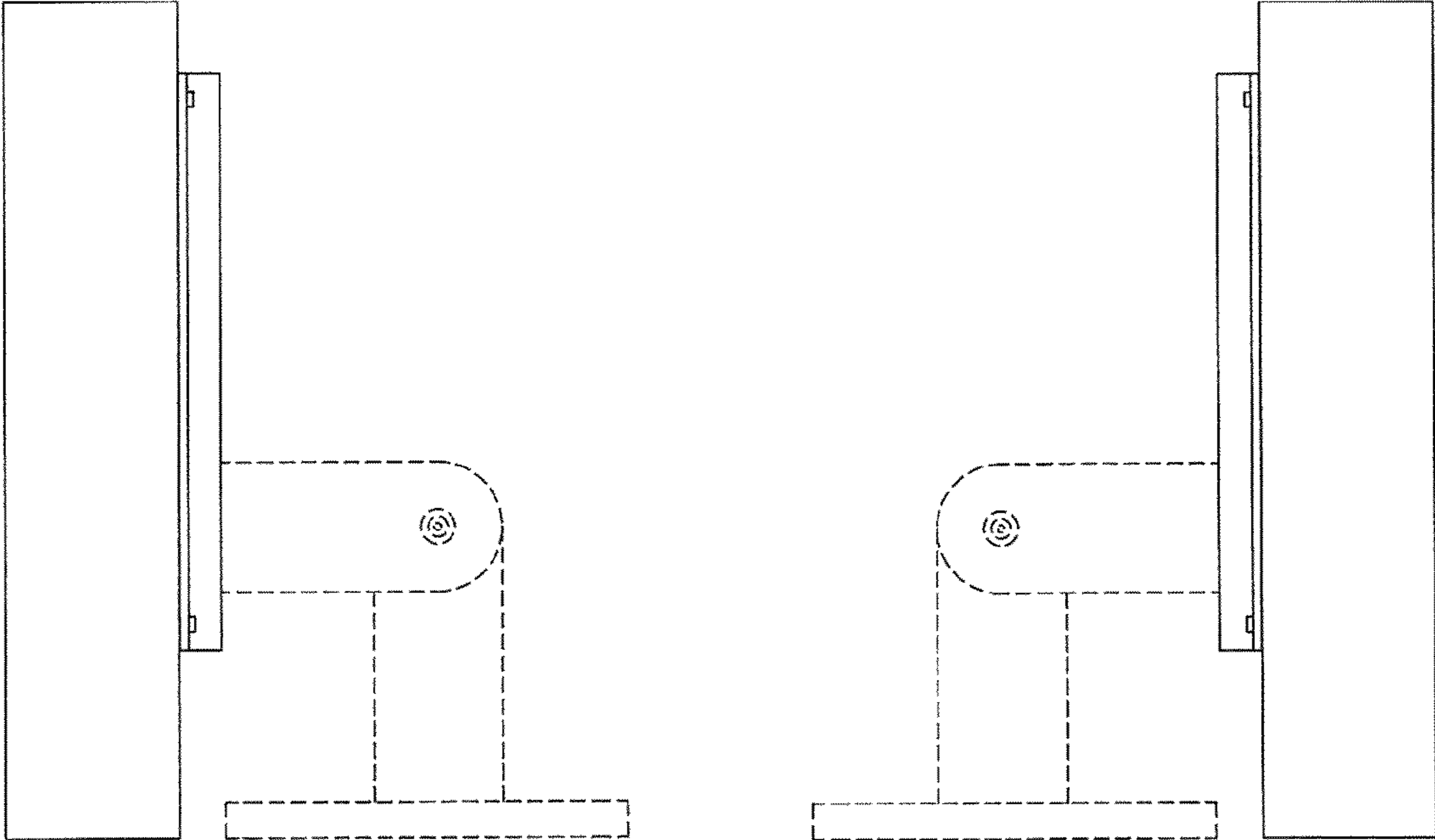


Fig. 6

Fig. 7