



US00D650108S

(12) **United States Design Patent**
Becker

(10) **Patent No.:** **US D650,108 S**

(45) **Date of Patent:** **** Dec. 6, 2011**

(54) **LIGHT**

(75) Inventor: **Siegfried Becker**, Dusseldorf (DE)

(73) Assignee: **BA*RO GmbH & Co. KG**, Leichlingen (DE)

(**) Term: **14 Years**

(21) Appl. No.: **29/379,416**

(22) Filed: **Nov. 19, 2010**

(30) **Foreign Application Priority Data**

May 20, 2010 (EM) 001218747

(51) **LOC (9) Cl.** **26-05**

(52) **U.S. Cl.** **D26/63**

(58) **Field of Classification Search** D26/60-66,
D26/72, 76-80, 81-88, 92; 362/311.13,
362/362, 145, 147, 150, 640, 647, 648, 653,
362/227, 232, 233, 249.14, 249.11, 249.1,
362/267-272, 277, 278, 364, 430, 406, 433,
362/257, 432, 148, 404, 408, 413, 286, 365,
362/368, 370-372, 211-215, 283, 284, 280,
362/282, 285, 287, 288, 418, 427, 419

See application file for complete search history.

(56) **References Cited**

U.S. PATENT DOCUMENTS

D370,069	S	*	5/1996	Mier-Langner et al.	D26/63
D370,990	S	*	6/1996	Lin	D26/63
6,004,005	A	*	12/1999	Demshki, Jr.	362/238
6,454,439	B1	*	9/2002	Camarota	362/293
6,588,922	B1	*	7/2003	DeCicco	362/364
D498,313	S	*	11/2004	Kuo	D26/3
D551,784	S	*	9/2007	Krieglmeyer et al.	D26/2
D580,585	S	*	11/2008	Otero	D26/88
D625,871	S	*	10/2010	Huang	D26/63
D631,576	S	*	1/2011	Yoshinobu et al.	D26/2
D631,577	S	*	1/2011	Yoshinobu et al.	D26/2

OTHER PUBLICATIONS

HUNTWAY® LED Track Lights annotated on p. 1 of 2. © 2009.
[Retrieved on Mar. 25, 2011]. Retrieved from the Internet <URL:
<http://www.led-tubes-lights.com/ks-led-track-light/>>.*

* cited by examiner

Primary Examiner — Susan M Lee

Assistant Examiner — Linda G. Brooks

(74) *Attorney, Agent, or Firm* — Berenato & White, LLC

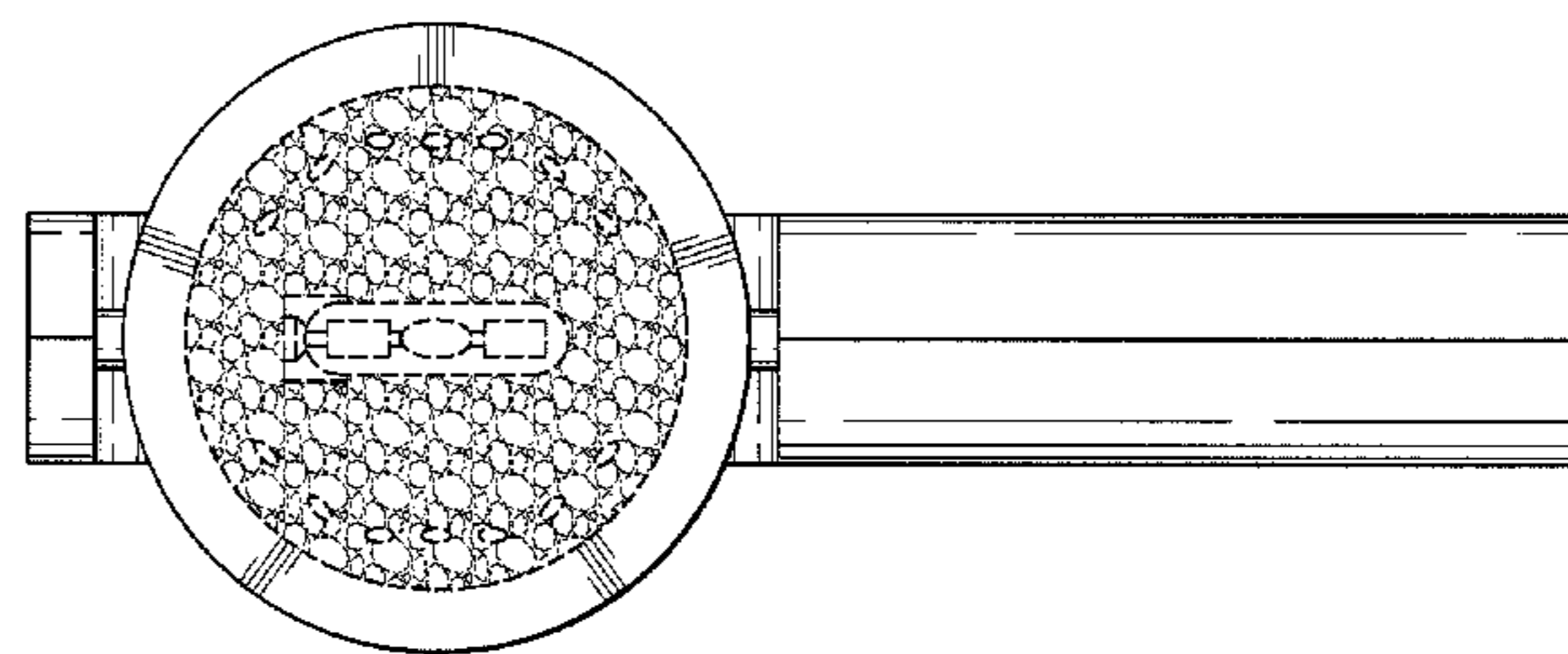
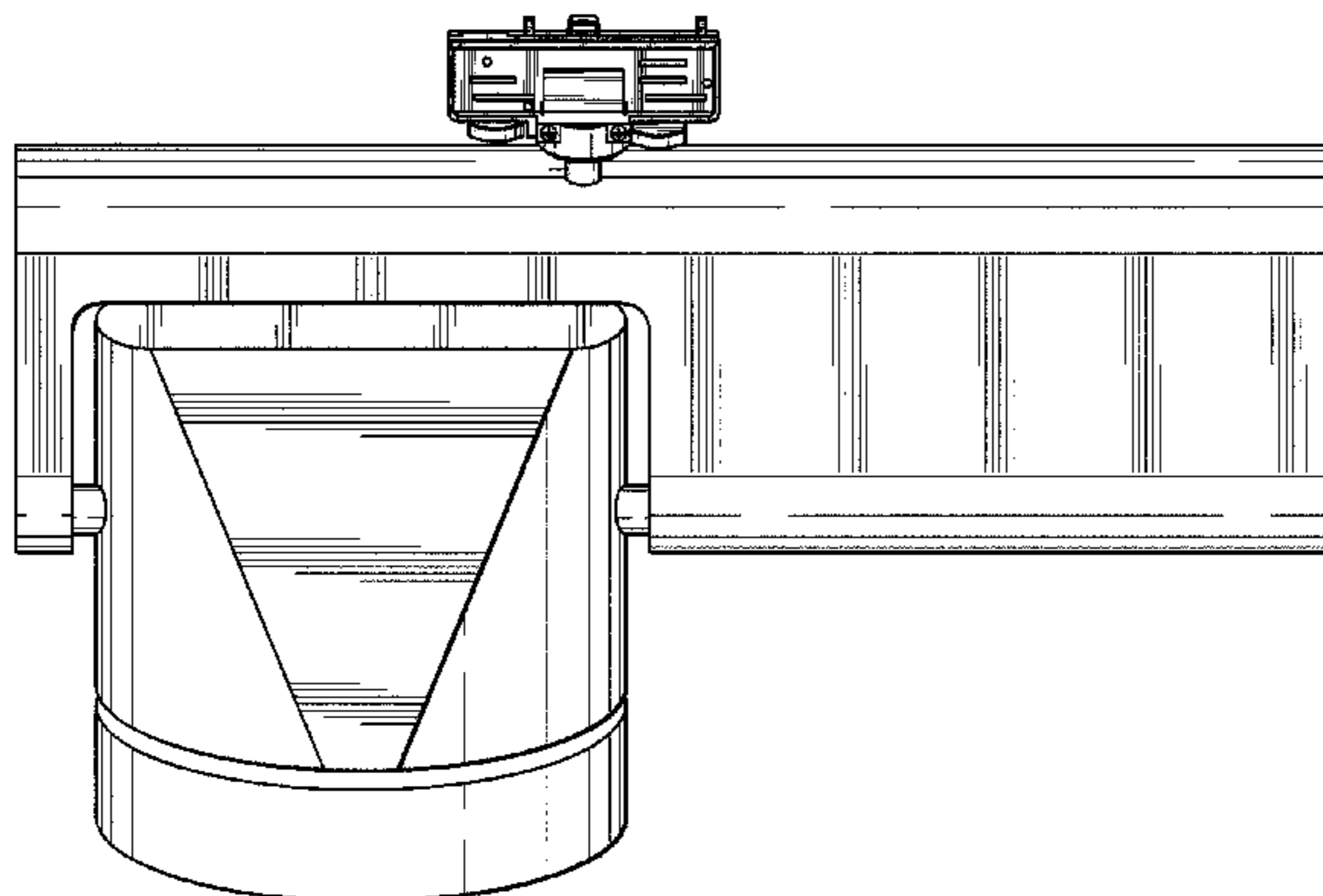
(57) **CLAIM**

The ornamental design for a light, as shown and described.

DESCRIPTION

FIG. 1 is a left side perspective view of a first embodiment of my design;
 FIG. 2 is a left side elevational view;
 FIG. 3 is a right side elevational view;
 FIG. 4 is a front elevational view;
 FIG. 5 is a rear elevational view;
 FIG. 6 is a top plan view;
 FIG. 7 is a bottom plan view, with unclaimed features shown in broken lines;
 FIG. 8 is a left side perspective view of a second embodiment of my design;
 FIG. 9 is a left side elevational view;
 FIG. 10 is a right side elevational view;
 FIG. 11 is a front elevational view;
 FIG. 12 is a rear elevational view;
 FIG. 13 is a top plan view;
 FIG. 14 is a bottom plan view, with unclaimed features shown in broken lines;
 FIG. 15 is a left side perspective view of a third embodiment of my design;
 FIG. 16 is a left side elevational view;
 FIG. 17 is a right side elevational view;
 FIG. 18 is a front elevational view;
 FIG. 19 is a rear elevational view;
 FIG. 20 is a top plan view; and,
 FIG. 21 is a bottom plan view, with unclaimed features shown in broken lines.
 The broken lines illustrate unclaimed portions of the light.

1 Claim, 21 Drawing Sheets



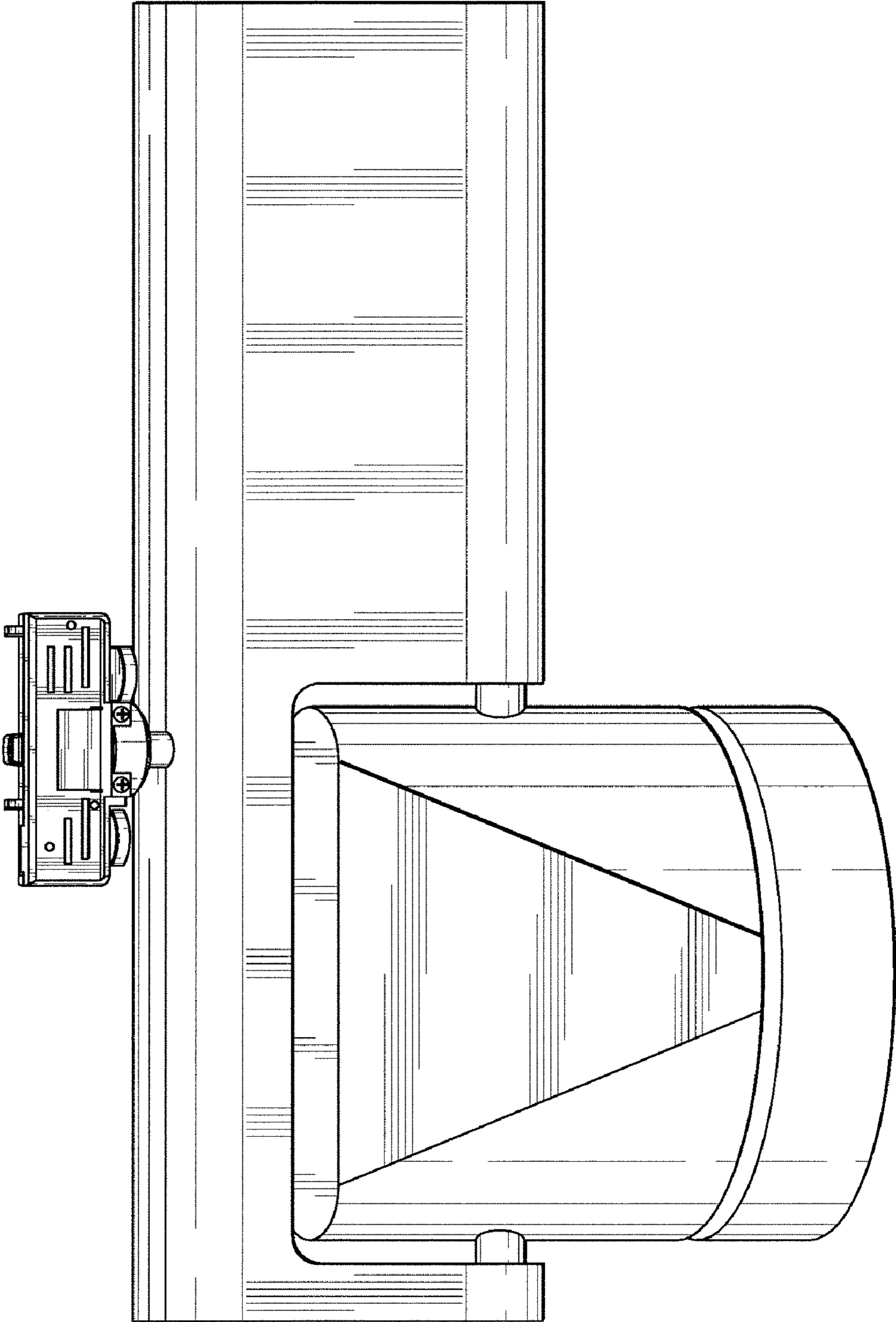


Fig. 1

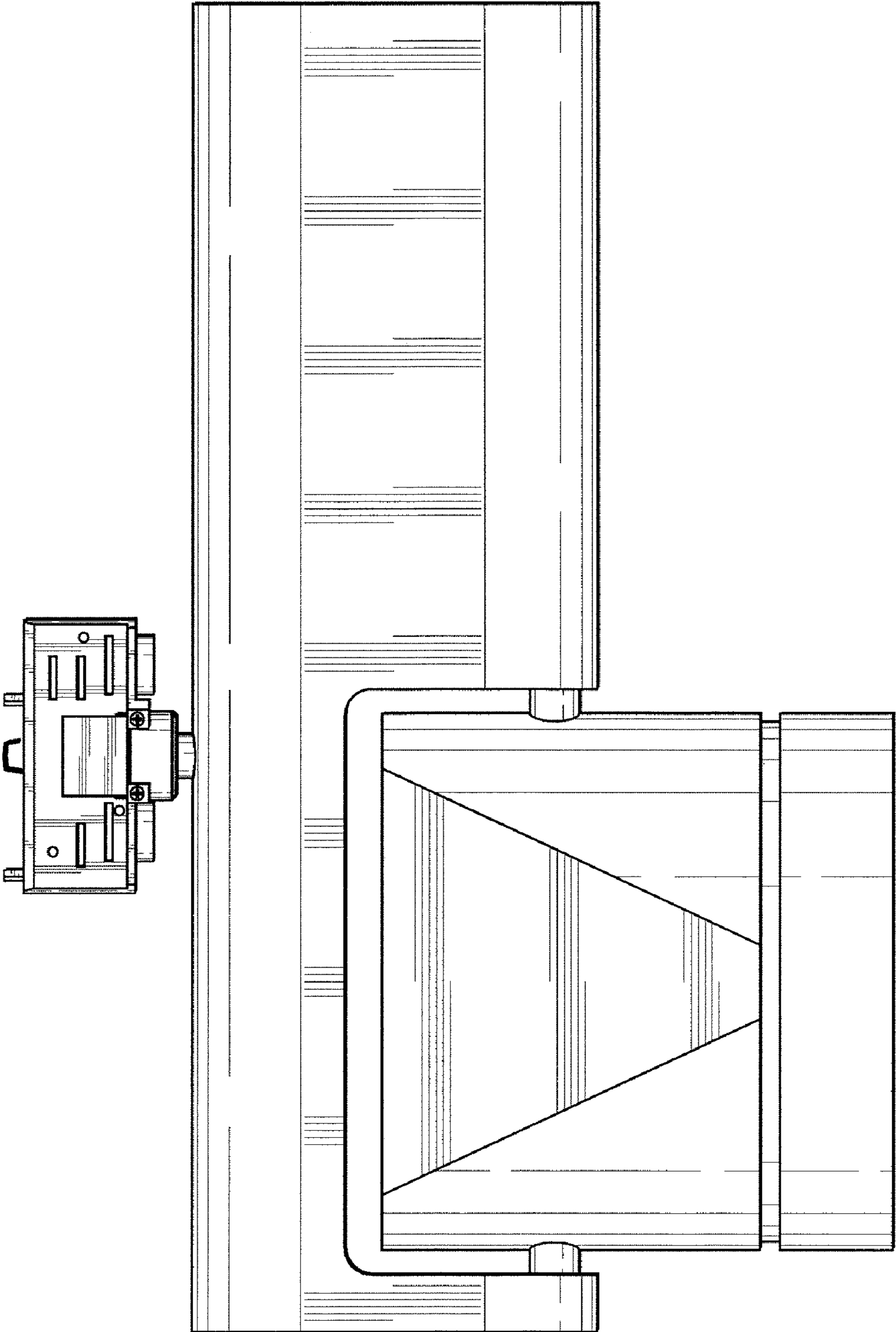


Fig. 2

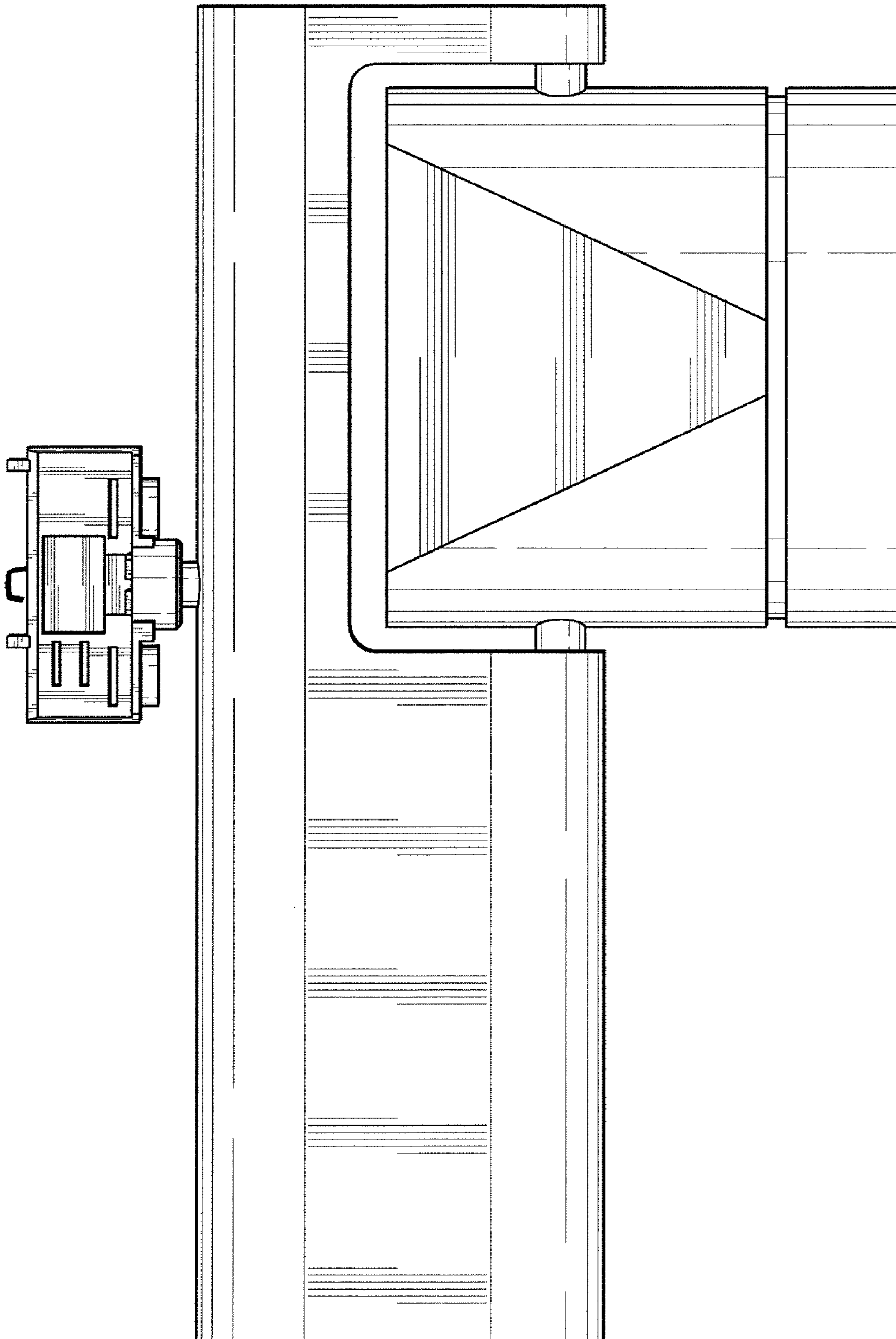


Fig. 3

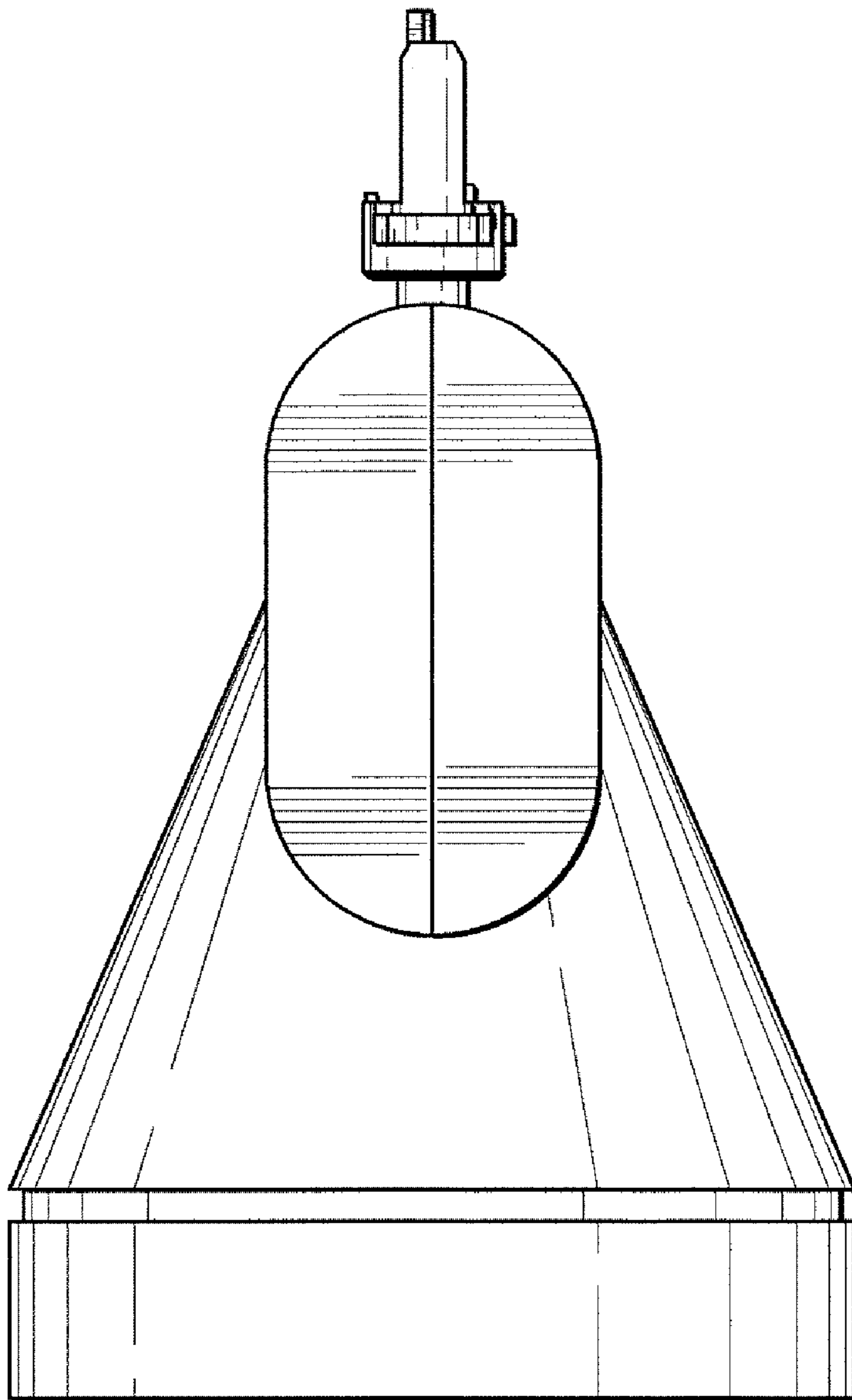


Fig. 4

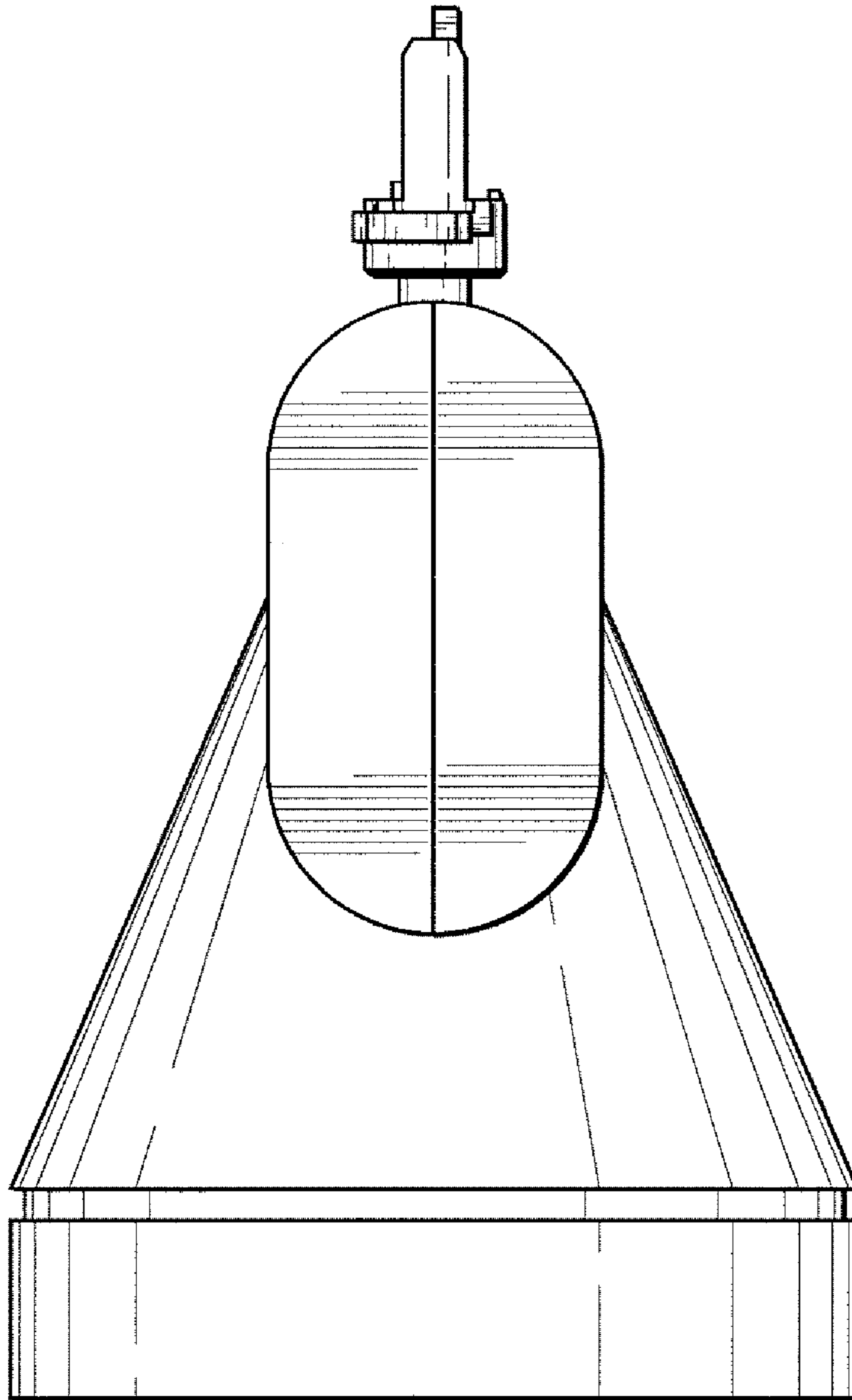


Fig. 5

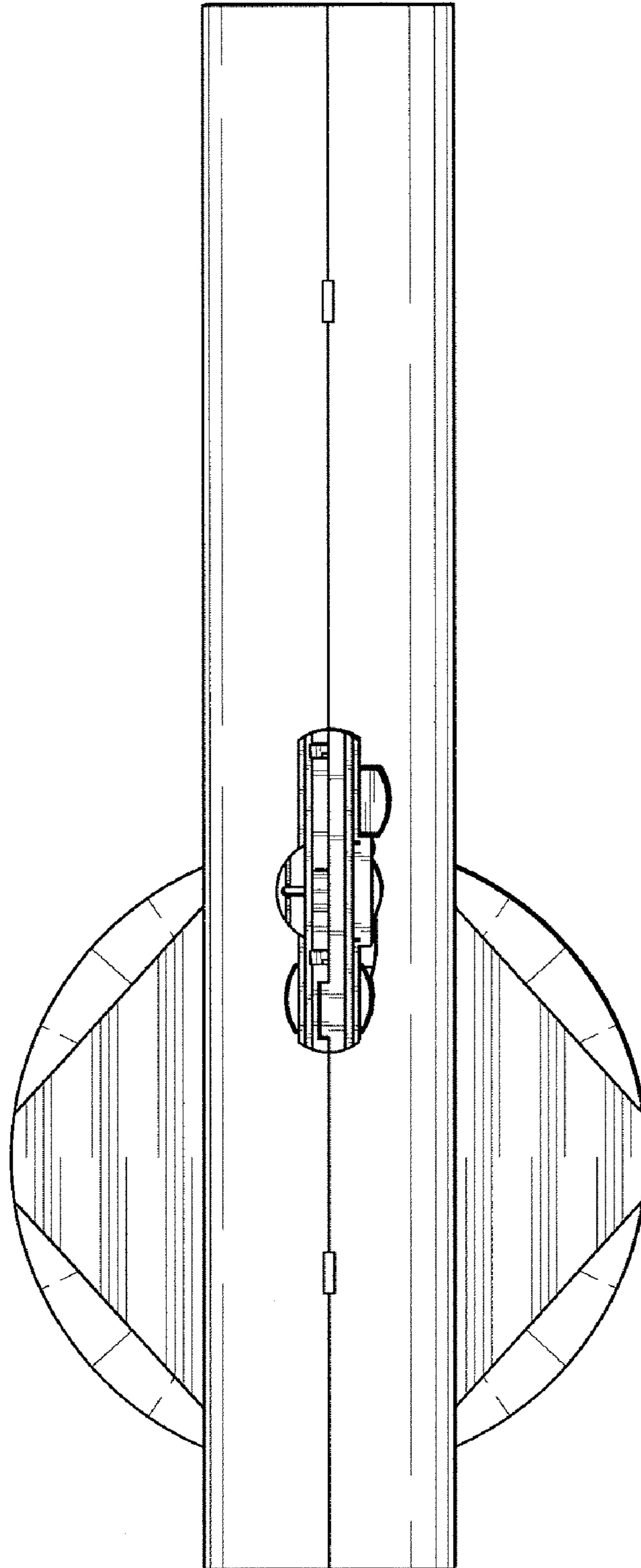


Fig. 6

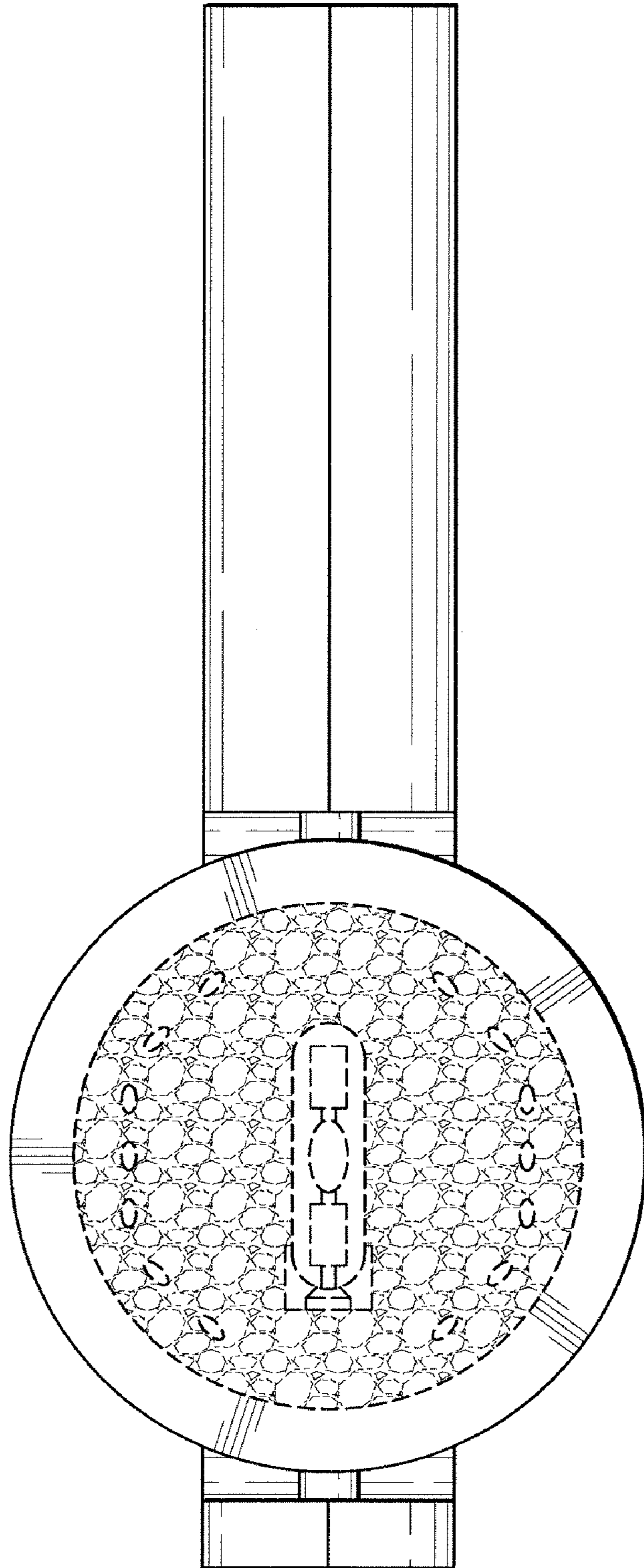


Fig. 7

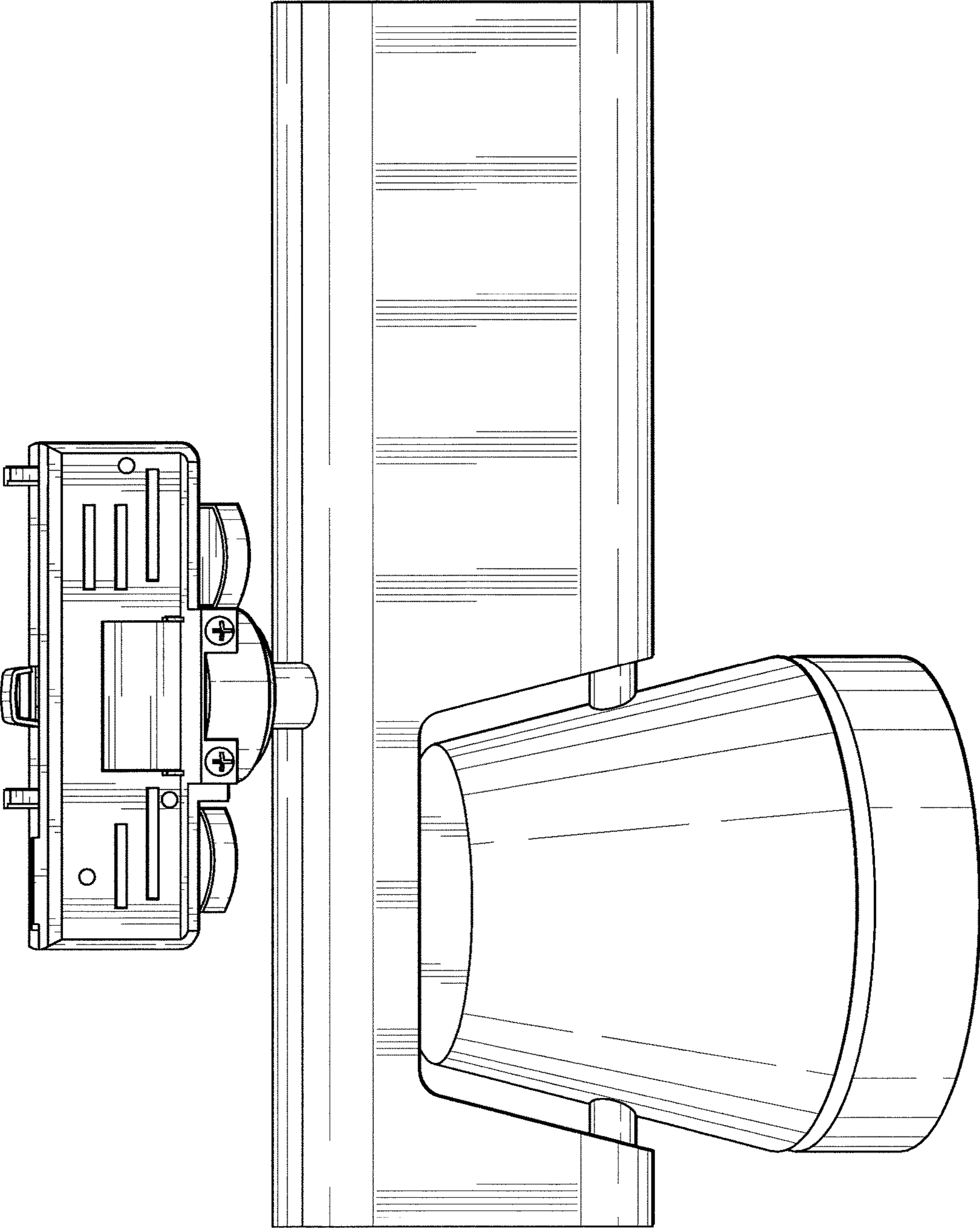


Fig. 8

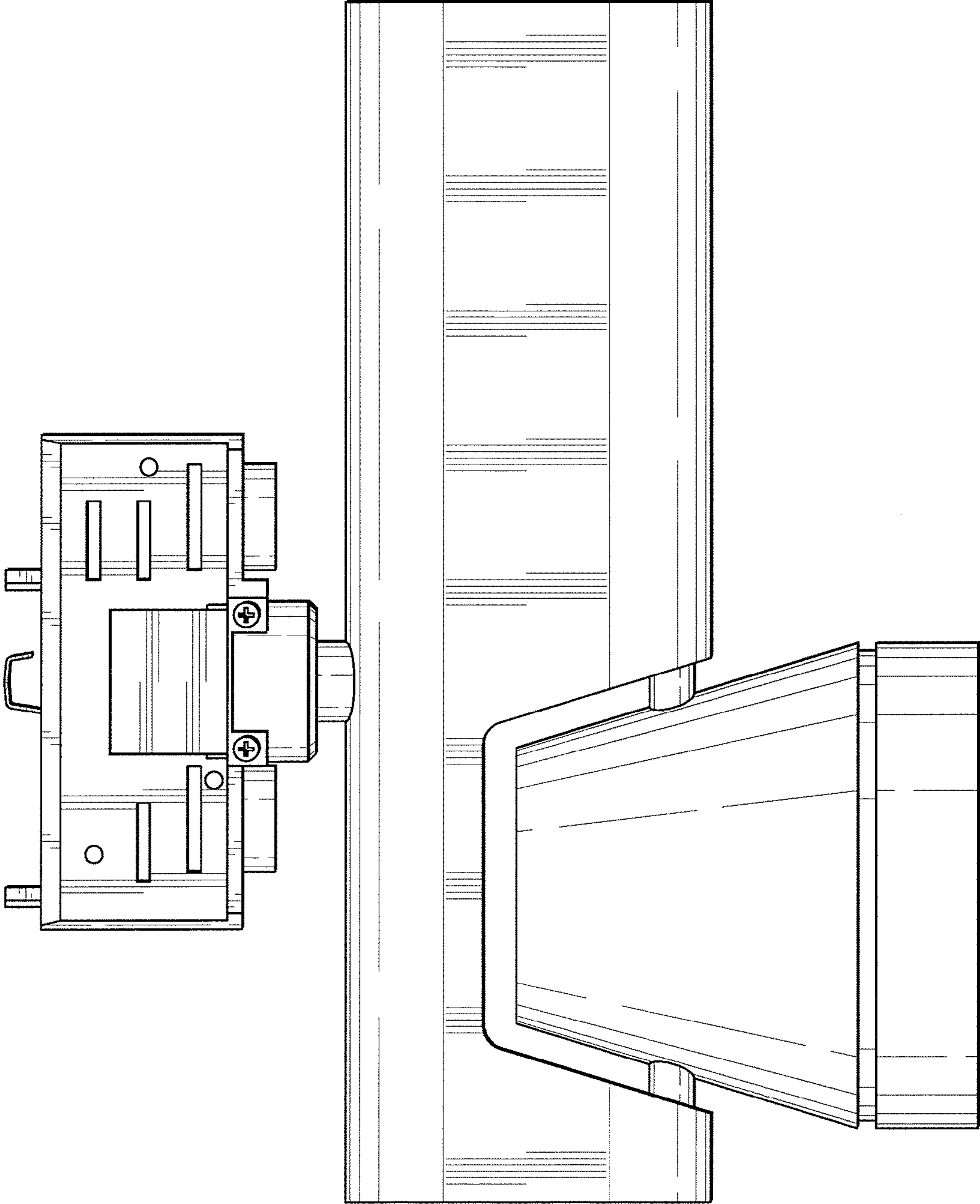


Fig. 9

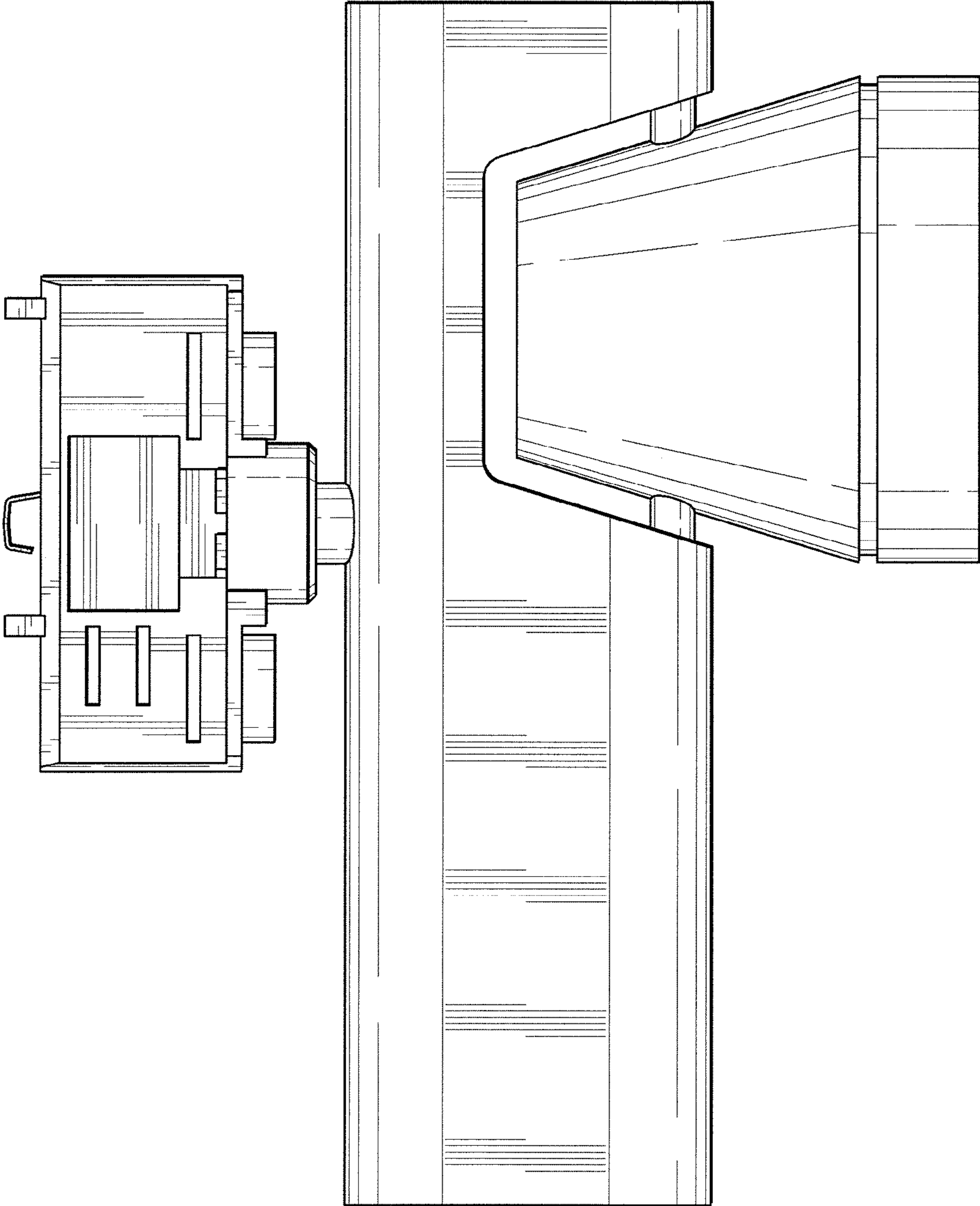


Fig. 10

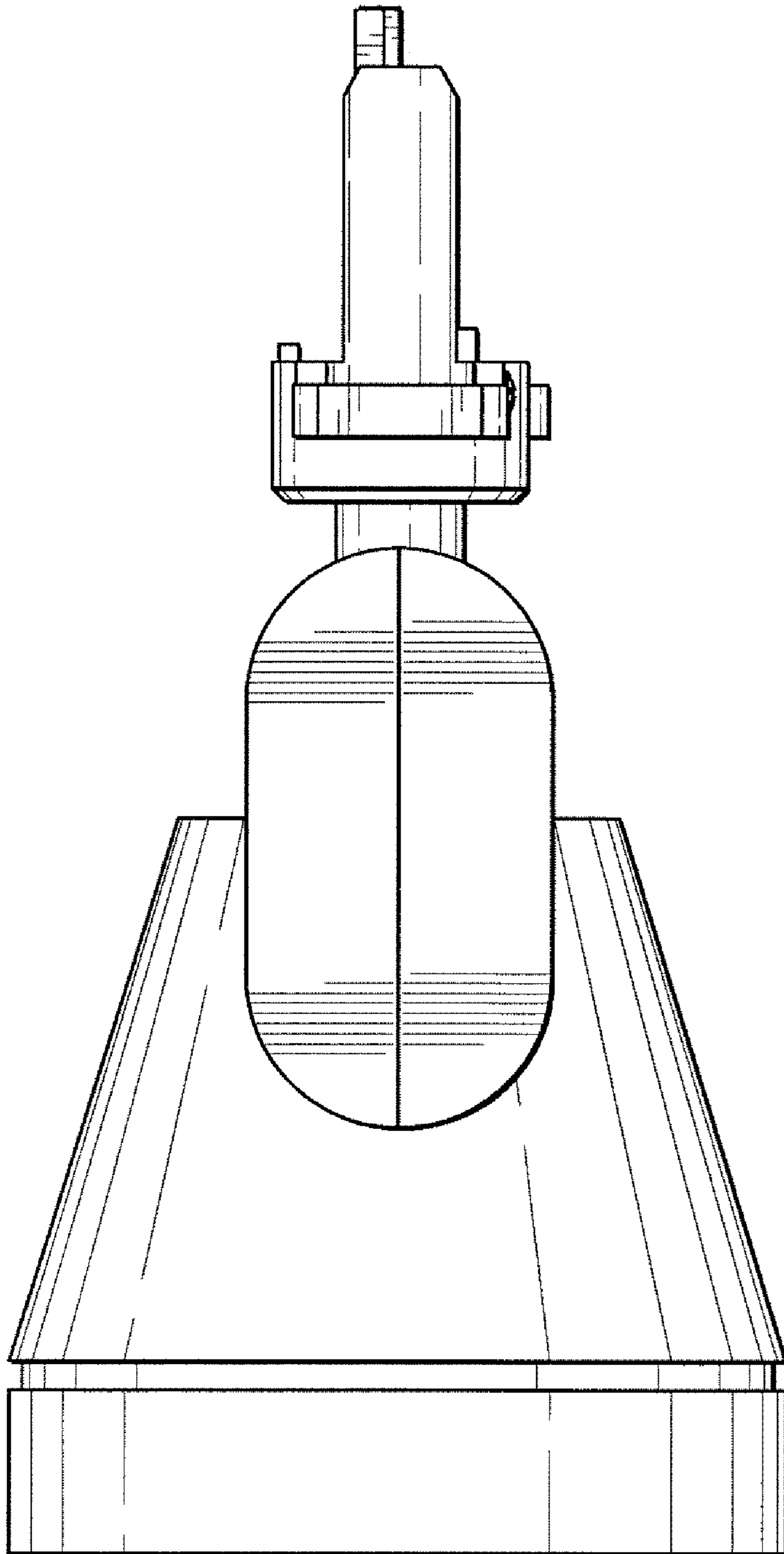


Fig. 11

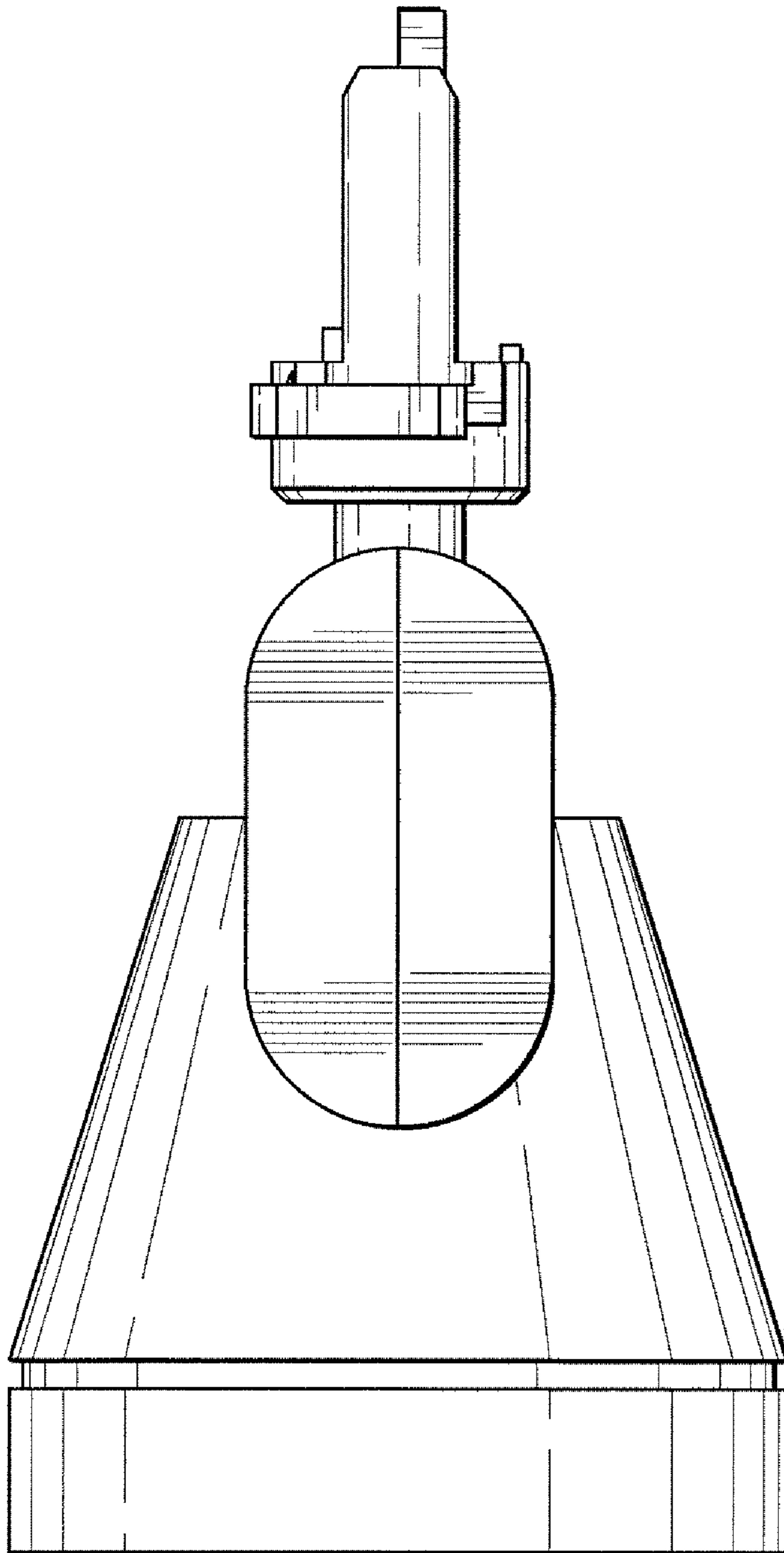


Fig. 12

Fig. 13

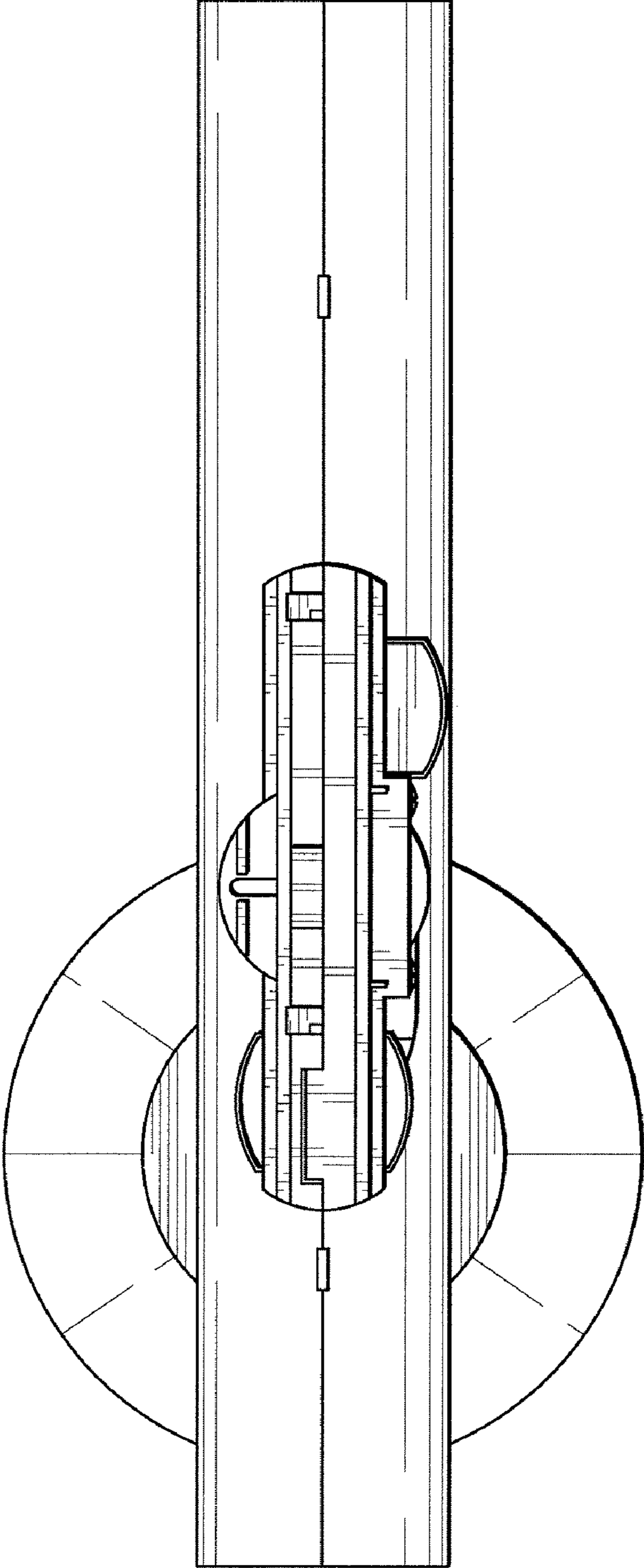
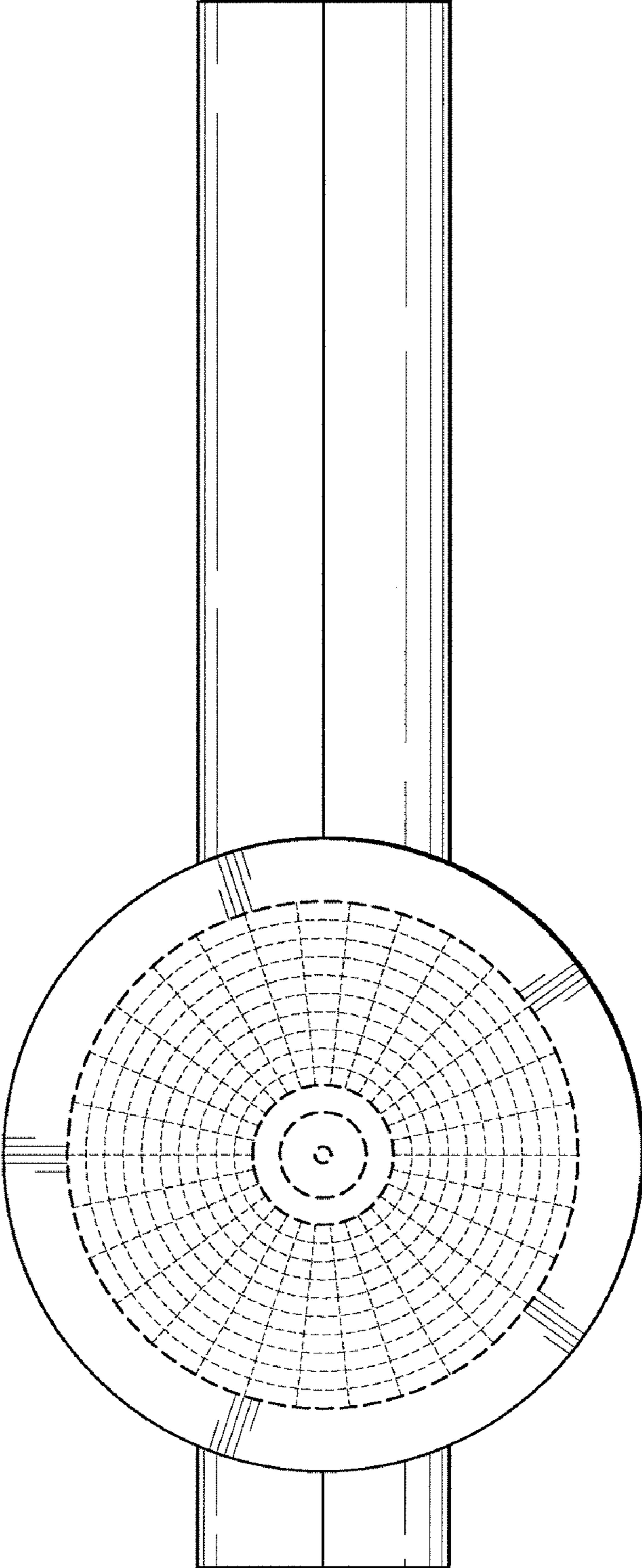


Fig. 14



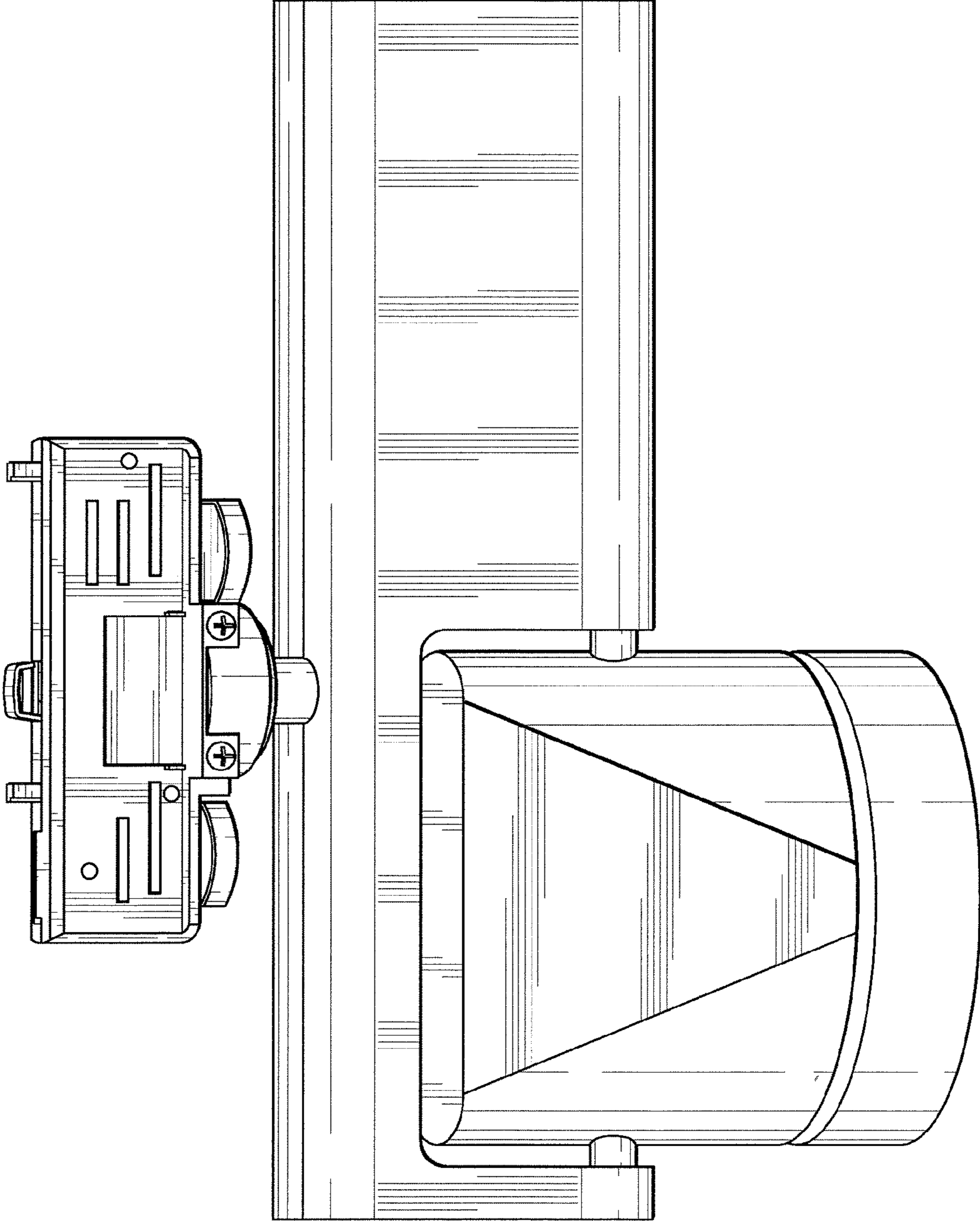


Fig. 15

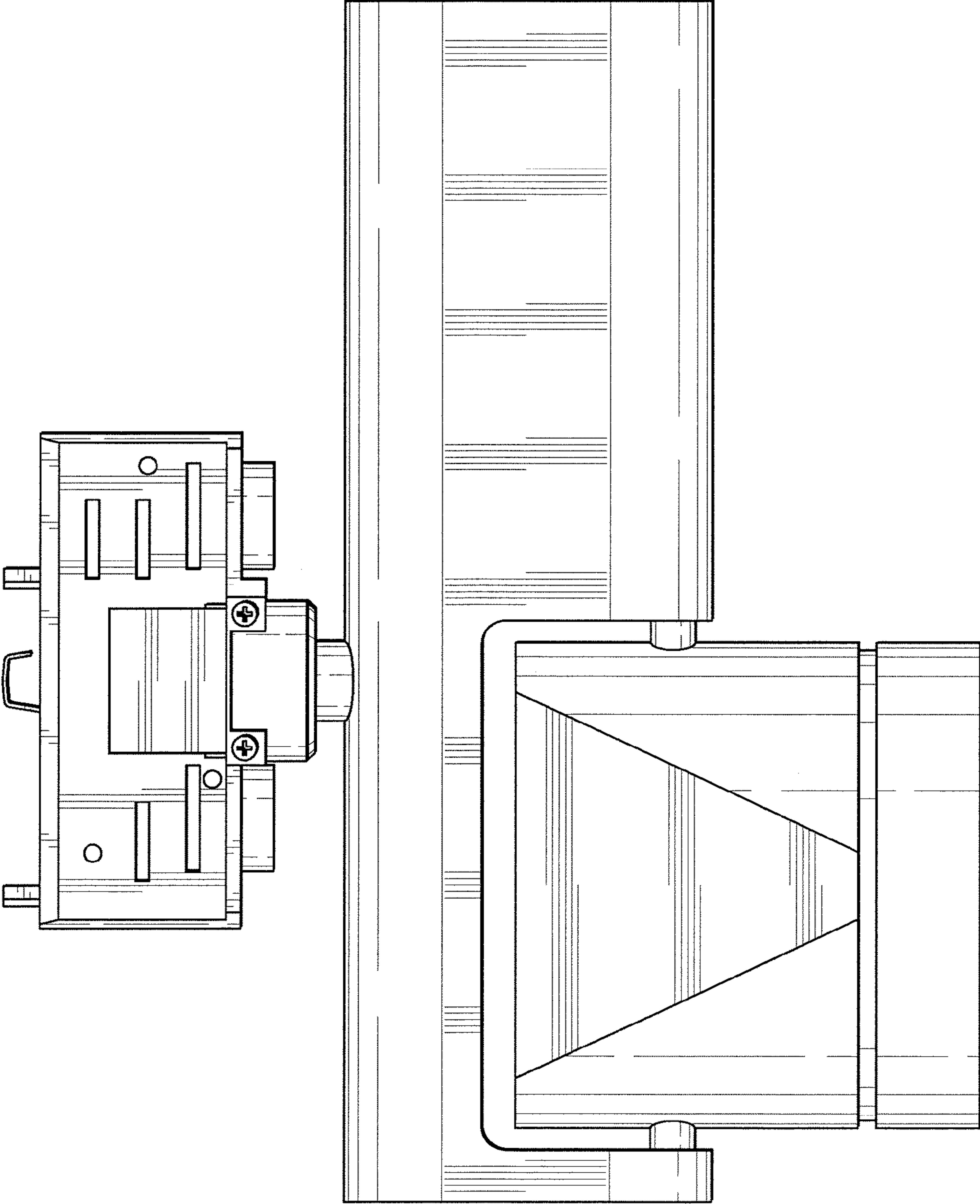


Fig. 16

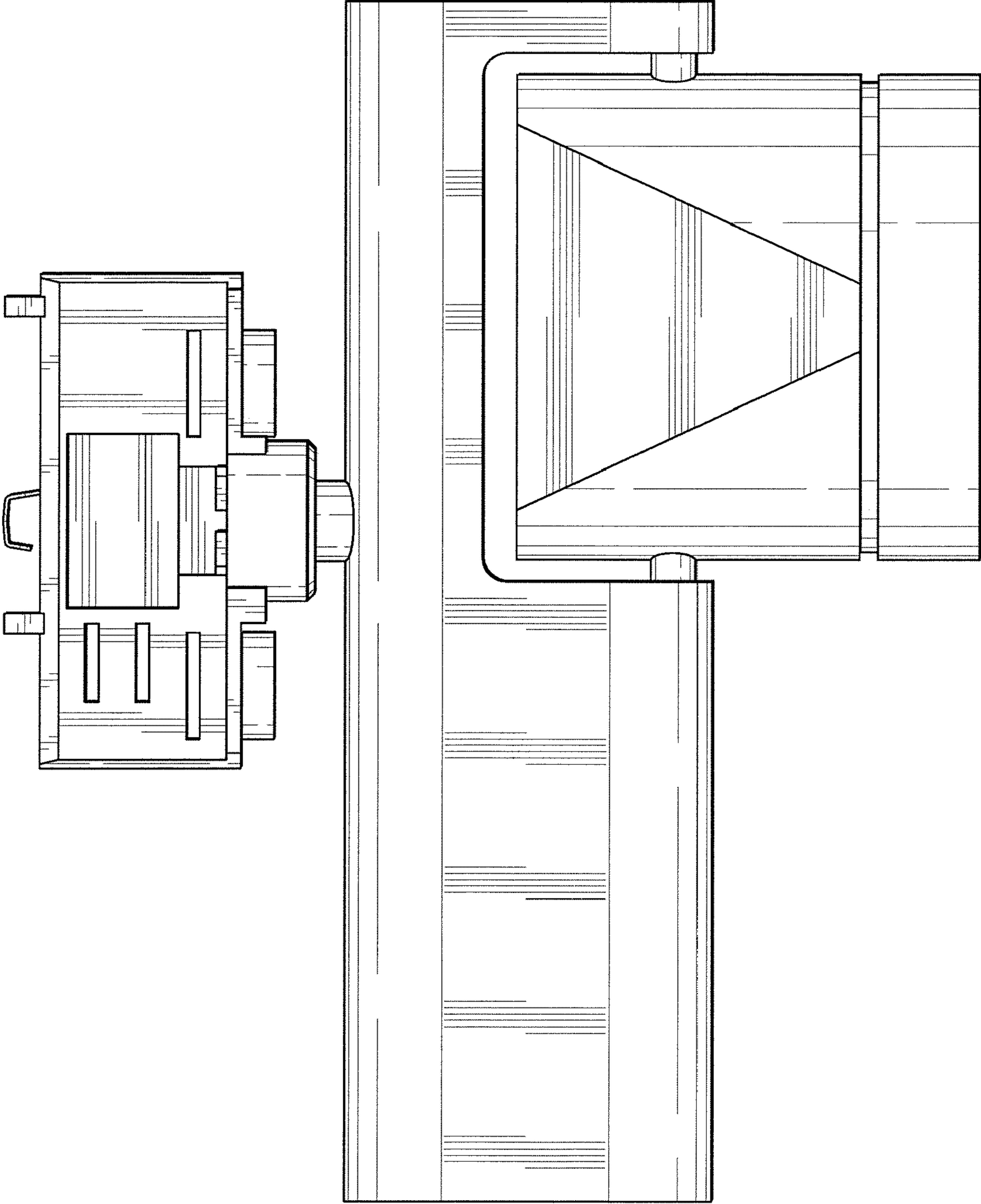


Fig. 17

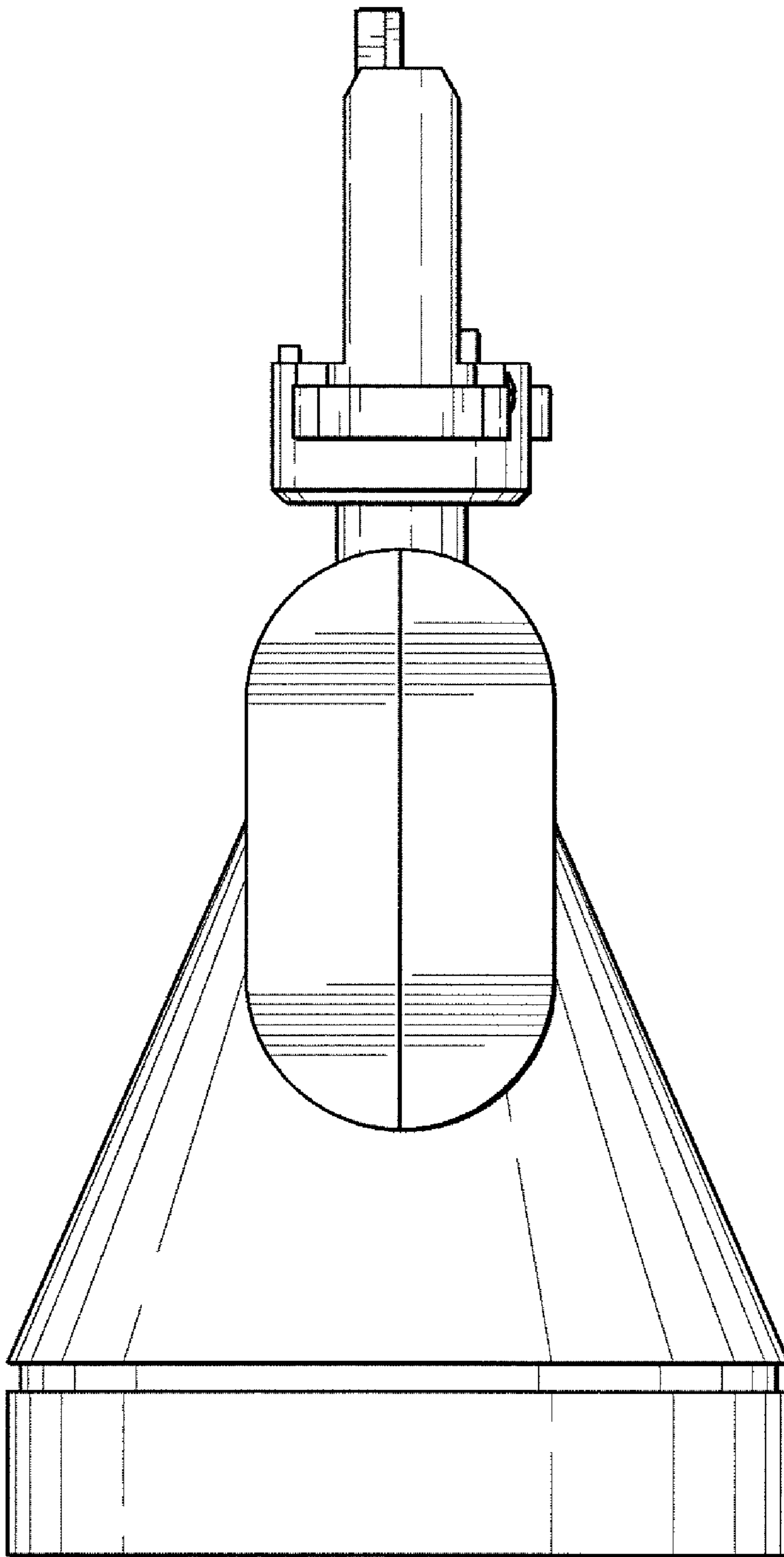


Fig. 18

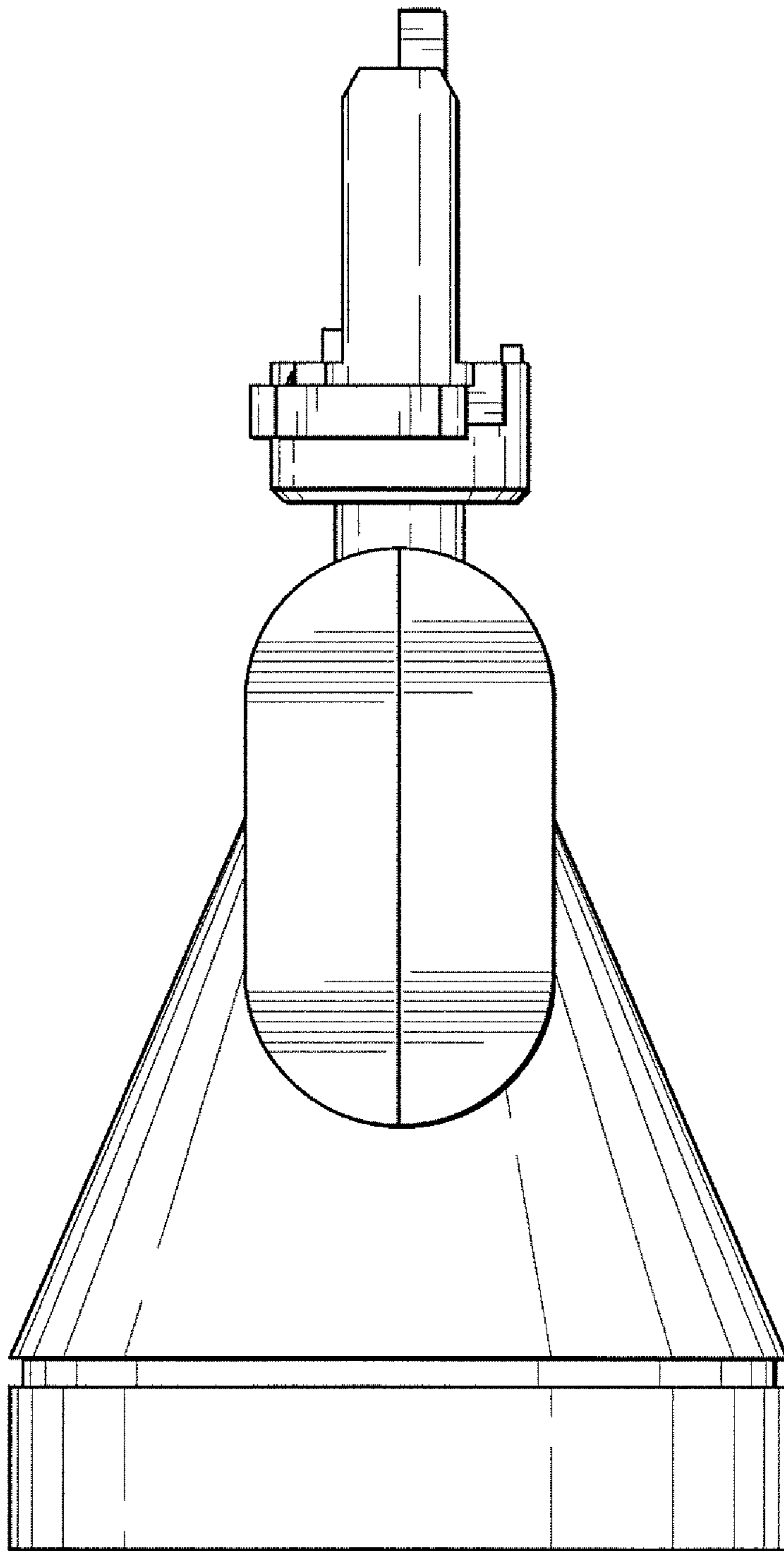
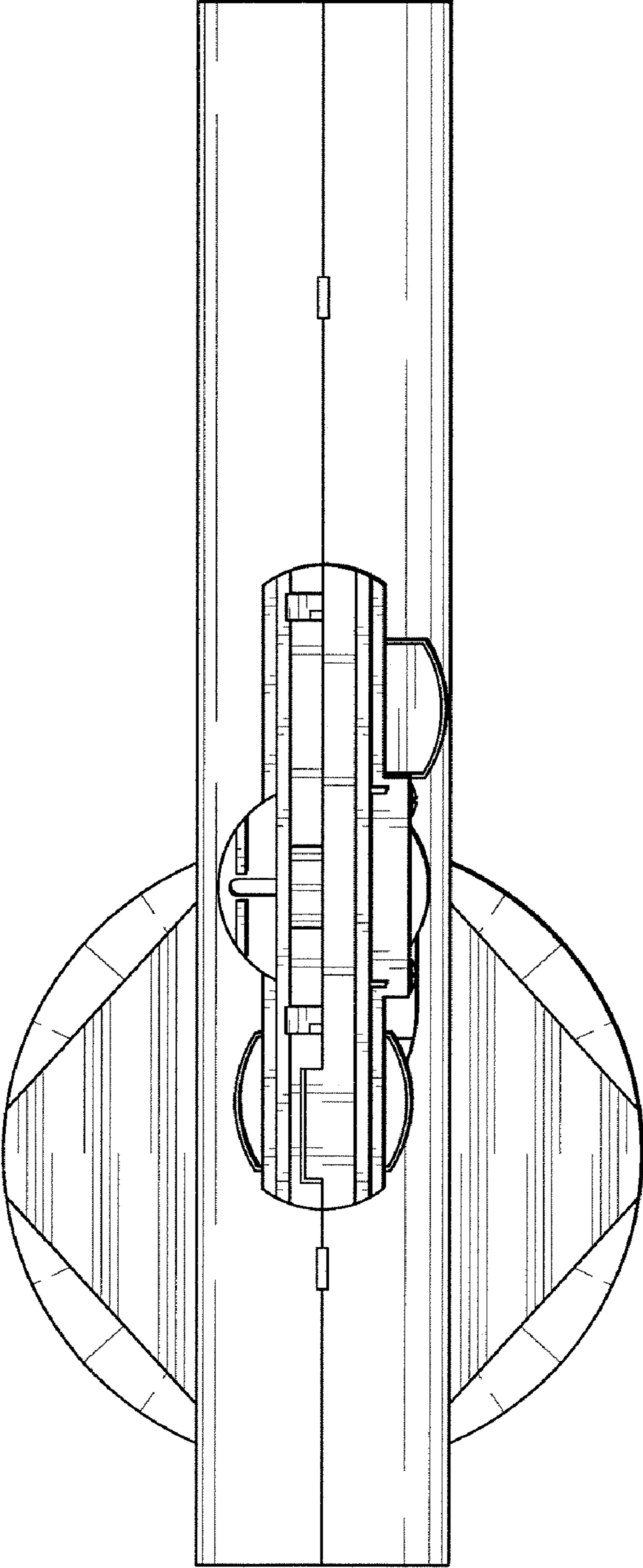


Fig. 19

Fig. 20



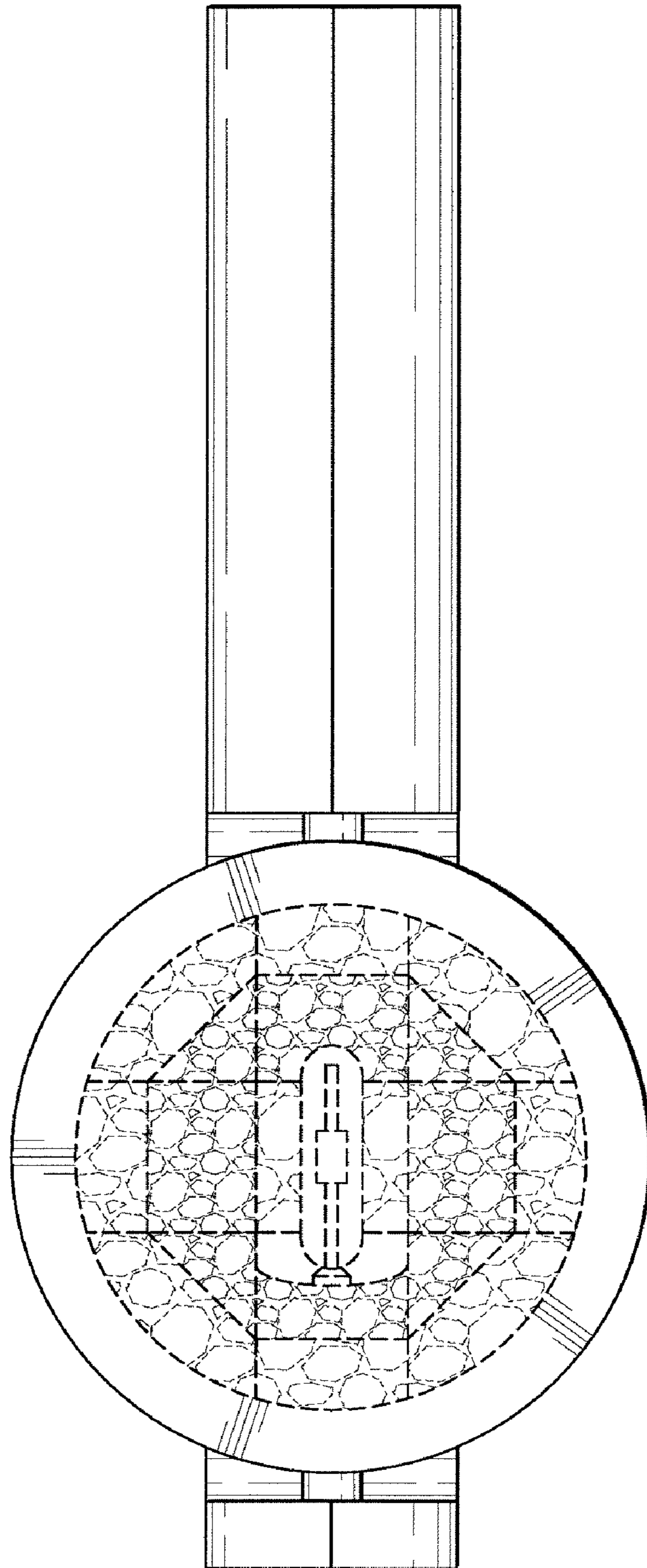


Fig. 21