



US00D650106S

(12) **United States Design Patent**
Schüssler

(10) **Patent No.:** **US D650,106 S**

(45) **Date of Patent:** **** Dec. 6, 2011**

(54) **LIGHT ILLUMINATION SOURCE**

(75) Inventor: **Andreas Schüssler**, Munich (DE)

(73) Assignee: **Carl Zeiss Meditec AG**, Jena (DE)

(**) Term: **14 Years**

(21) Appl. No.: **29/347,765**

(22) Filed: **May 25, 2010**

Related U.S. Application Data

(62) Division of application No. 29/309,540, filed on Aug. 29, 2008, now Pat. No. Des. 635,286.

(30) **Foreign Application Priority Data**

Apr. 8, 2008 (EM) 000913595

(51) **LOC (9) Cl.** **26-02**

(52) **U.S. Cl.** **D26/44; D26/46; D26/39**

(58) **Field of Classification Search** D26/37,
D26/38, 39, 41, 42, 49, 40, 24, 44, 46; 362/157,
362/158, 183, 184, 171-178, 194-196, 202-208
See application file for complete search history.

(56) **References Cited**

U.S. PATENT DOCUMENTS

D111,577 S	10/1938	Arenburq	D26/60
D113,626 S	3/1939	Gagnon	D26/60
D113,627 S	3/1939	Gagnon	D26/60
D293,029 S	12/1987	Shwisha	D26/60
D337,838 S *	7/1993	Van Der Bel	D26/39
D373,433 S	9/1996	Feinbloom	D26/39
D376,665 S	12/1996	Chan	D26/60
D399,580 S *	10/1998	Feinbloom	D26/39
D405,901 S	2/1999	Feinbloom et al.	D26/39
D440,330 S	4/2001	Scott et al.	D26/28
D463,048 S	9/2002	Scott et al.	D26/28
6,488,373 B1	12/2002	Feinbloom et al.	351/57
D482,476 S	11/2003	Kwong	D26/63
D497,683 S	10/2004	Cooper	D26/39

D499,199 S	11/2004	Cooper	D26/39
D507,668 S	7/2005	Kwong	D26/24
D509,842 S	9/2005	Ou	D16/203
RE39,162 E	7/2006	Caplan et al.	362/105
D527,137 S	8/2006	Urich	D26/138
D566,871 S	4/2008	Kumthampinij et al.	D26/60
D582,085 S	12/2008	Feinbloom et al.	D26/39
D586,932 S *	2/2009	Feinbloom et al.	D26/39
D608,479 S *	1/2010	Heine et al.	D26/39
D615,677 S *	5/2010	Feinbloom et al.	D26/39
D635,286 S *	3/2011	Schussler	D26/39
2007/0153498 A1	7/2007	Wilt et al.	362/103

* cited by examiner

Primary Examiner — Ian Simmons

Assistant Examiner — Carissa C Fitts

(74) *Attorney, Agent, or Firm* — Walter Ottesen

(57) **CLAIM**

The ornamental design for a light illumination source, as shown and described.

DESCRIPTION

FIG. 1 is a perspective of a light illumination source of my new design mounted on spectacles equipped with binoculars; FIG. 2 is a top plan view of said light illumination source of FIG. 1;

FIG. 3 is a right side elevation view of said light illumination source of FIG. 1;

FIG. 4 is a bottom plan view of said light illumination source of FIG. 1;

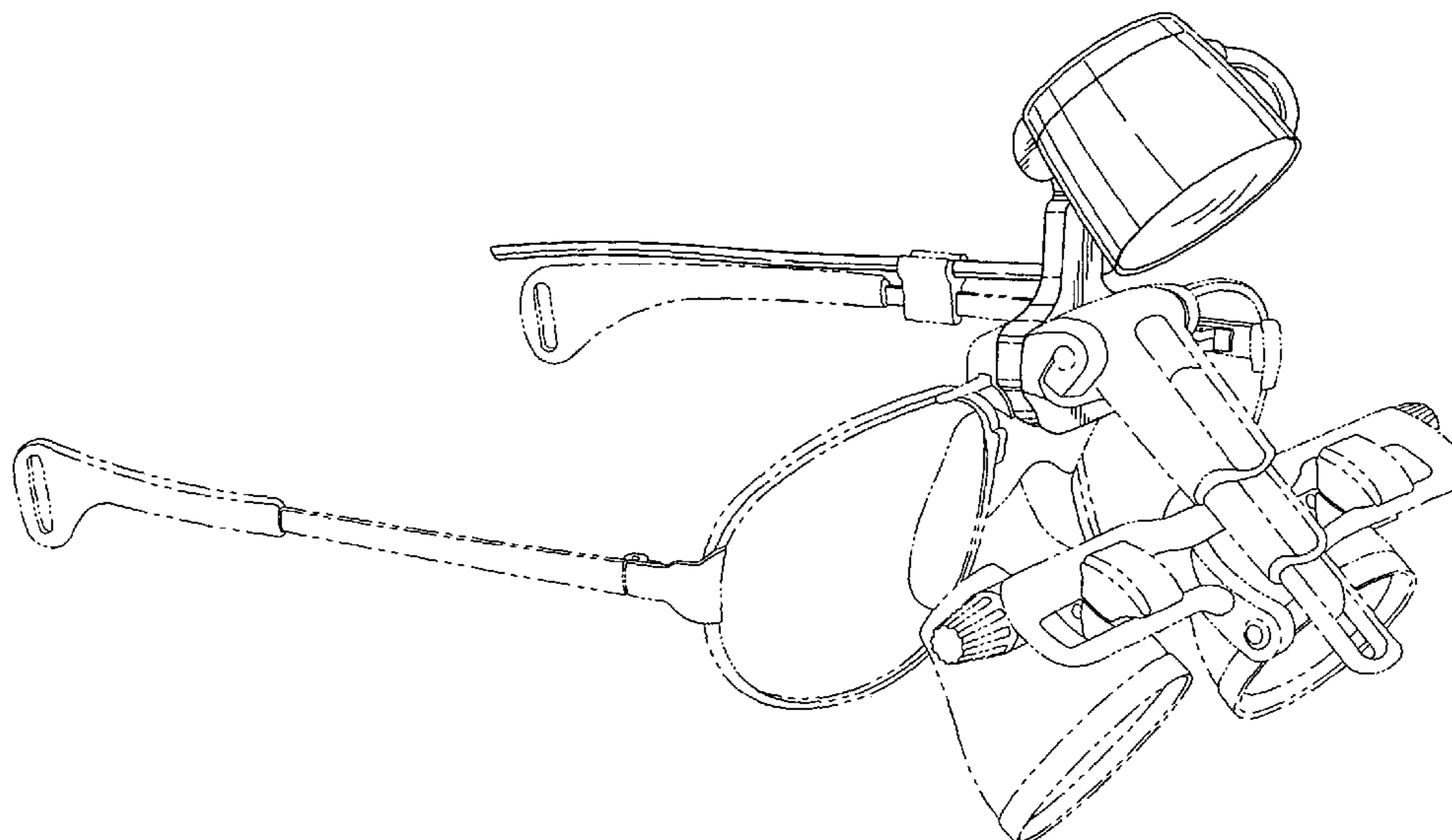
FIG. 5 is a left side elevation view of said light illumination source of FIG. 1;

FIG. 6 is a front elevation view of said light illumination source of FIG. 1; and,

FIG. 7 is a rear elevation view of said light illumination source of FIG. 1.

The spectacles and binoculars shown in FIGS. 1 to 7 are for illustrative purposes only and form no part of the claimed design.

1 Claim, 6 Drawing Sheets



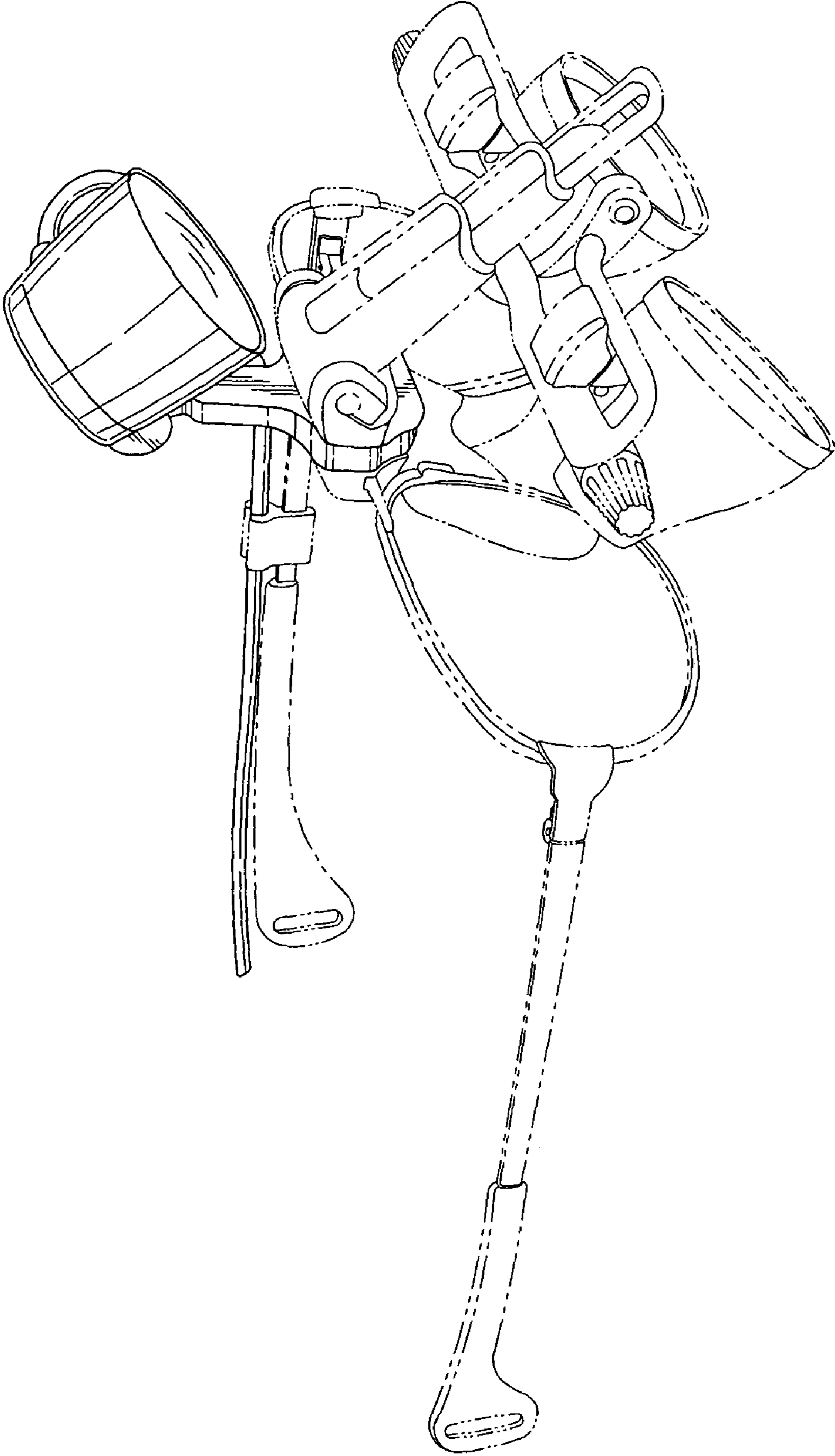


Fig. 1

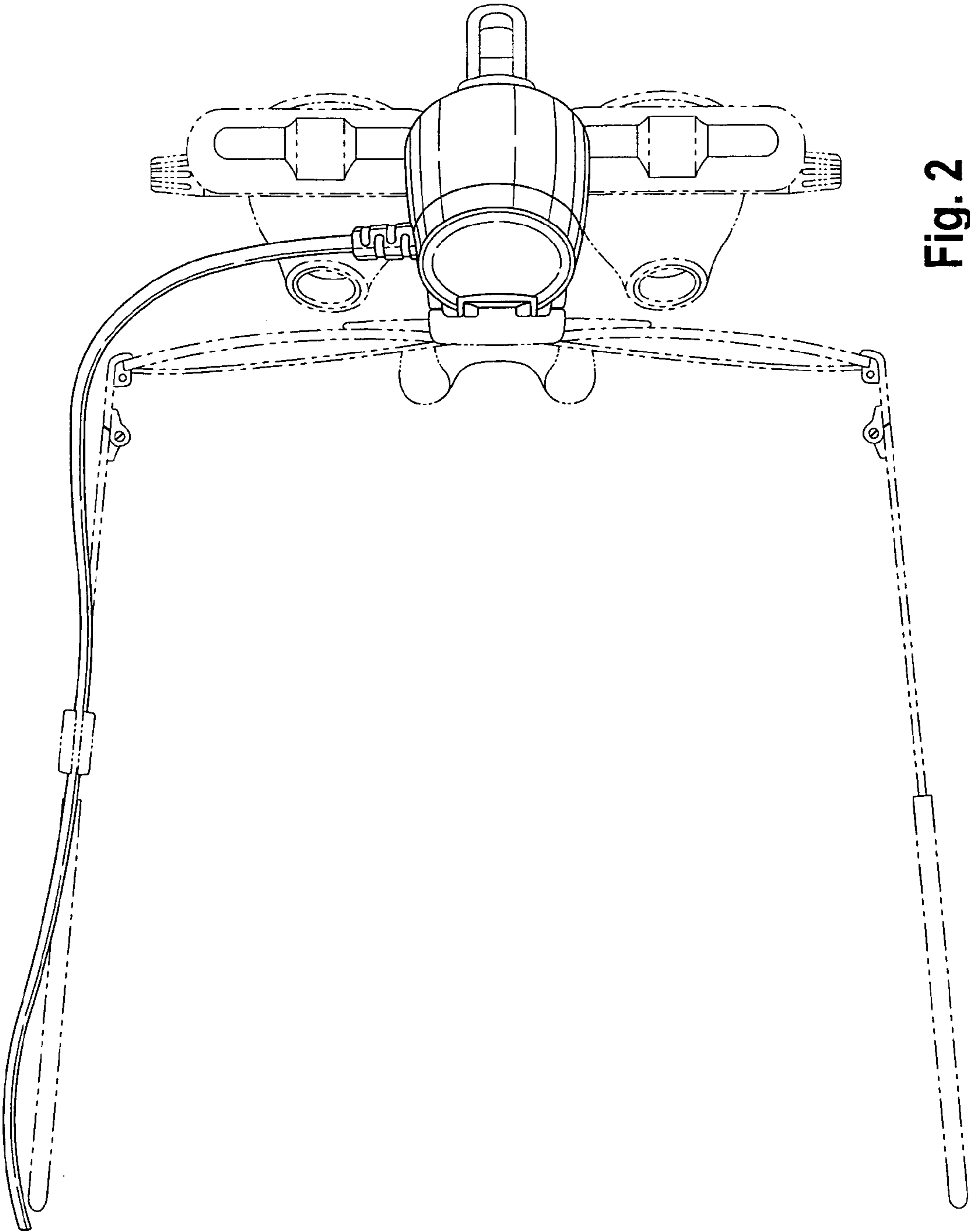


Fig. 2

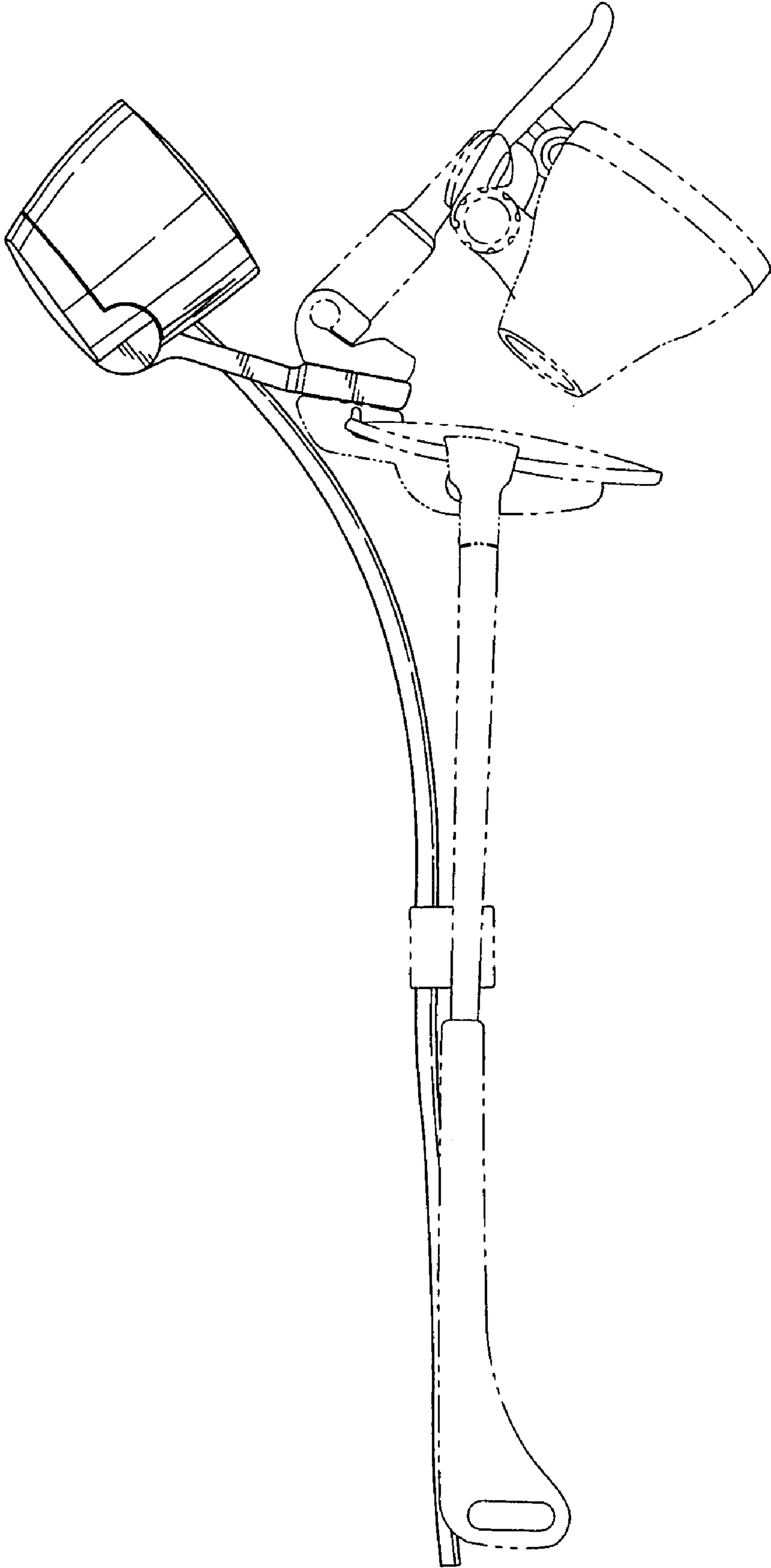


Fig. 3

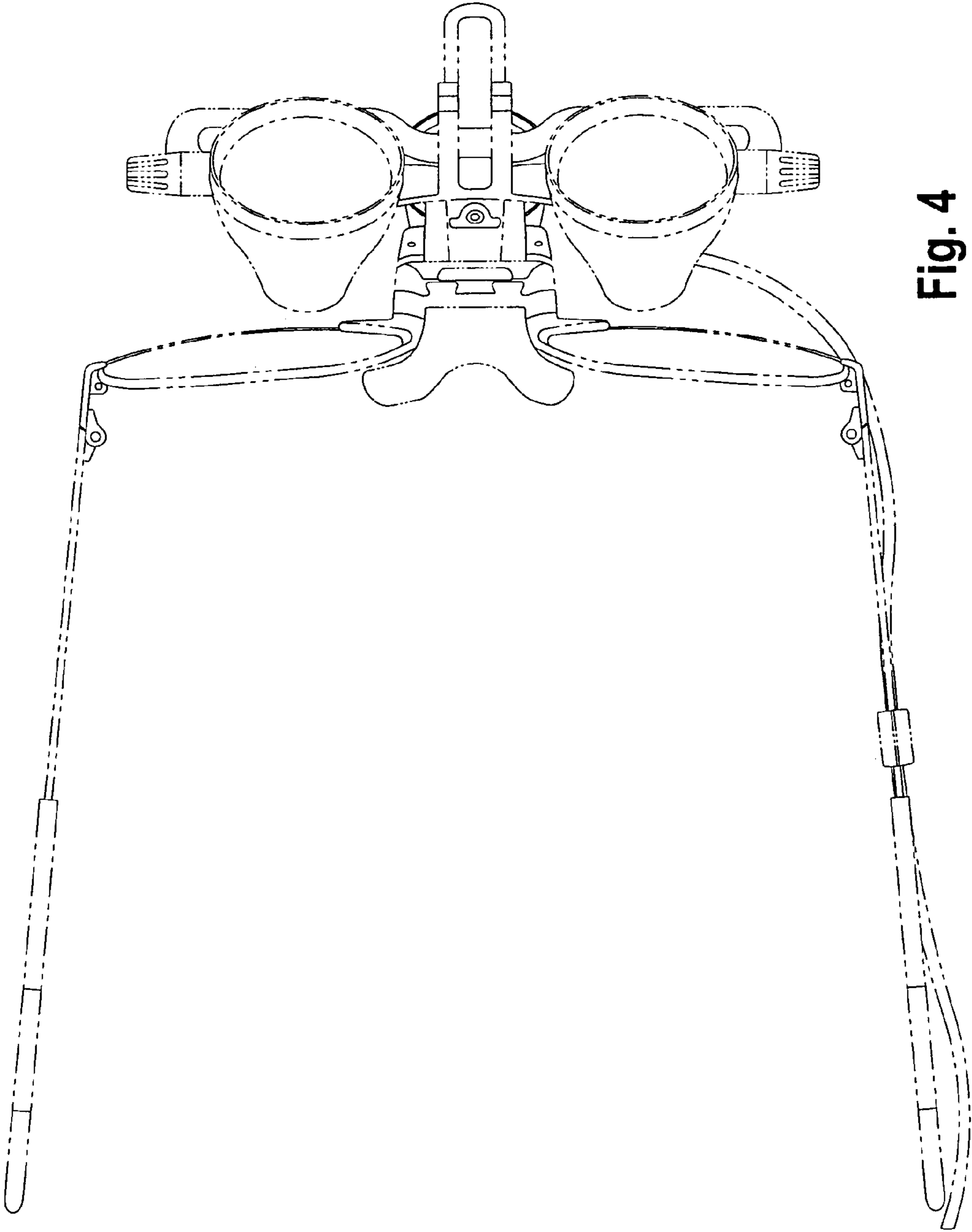


Fig. 4

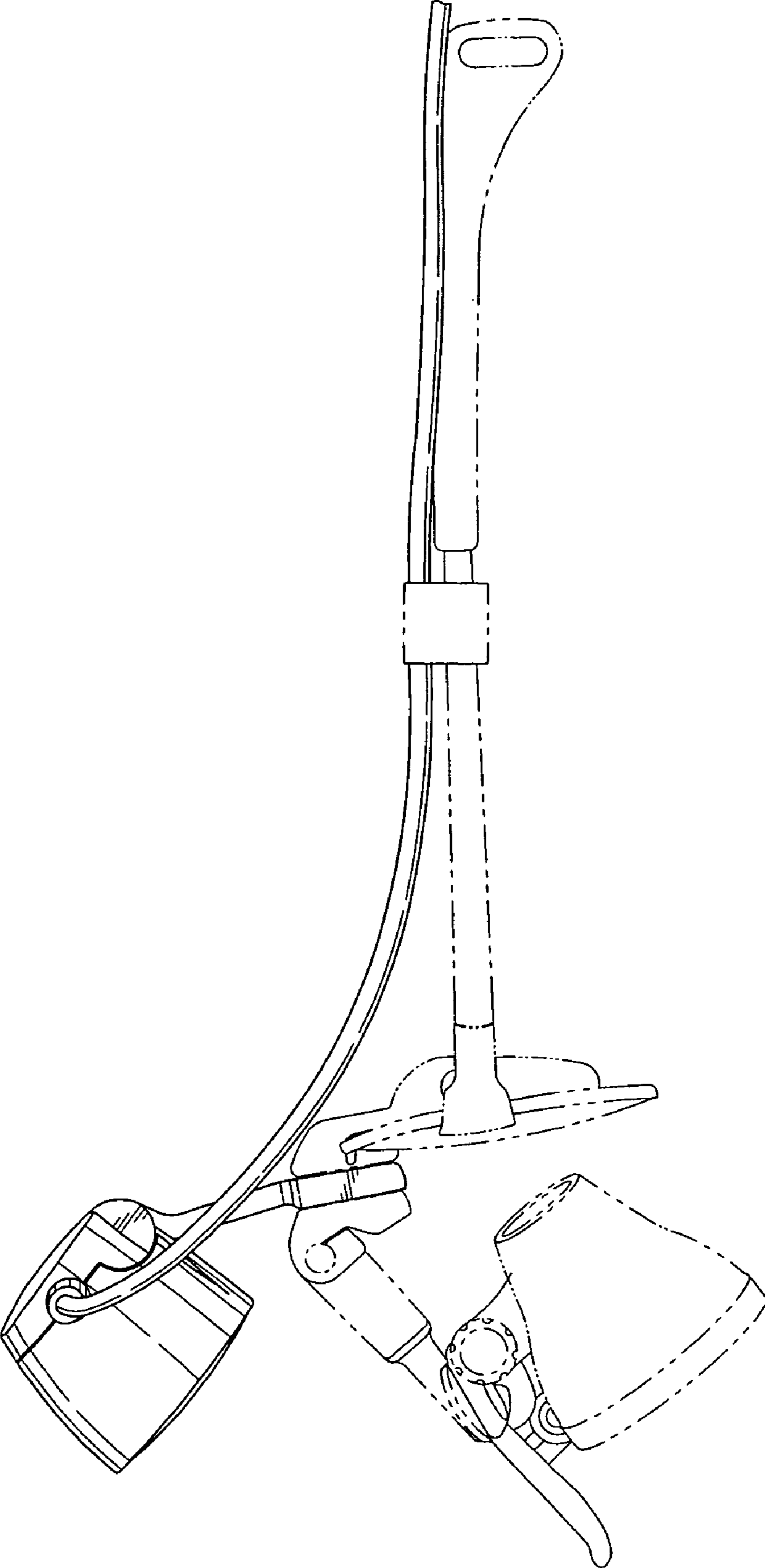


Fig. 5

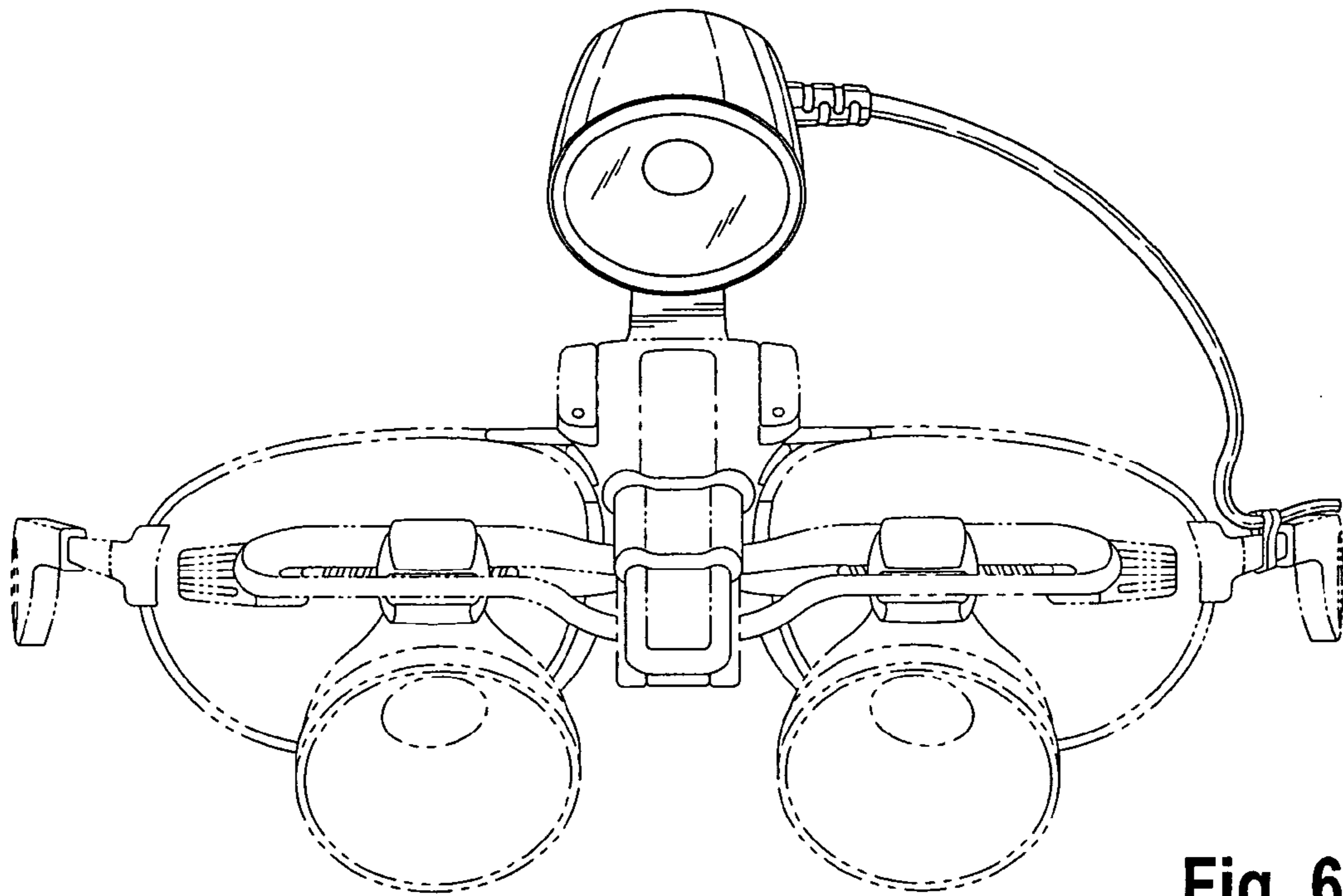


Fig. 6

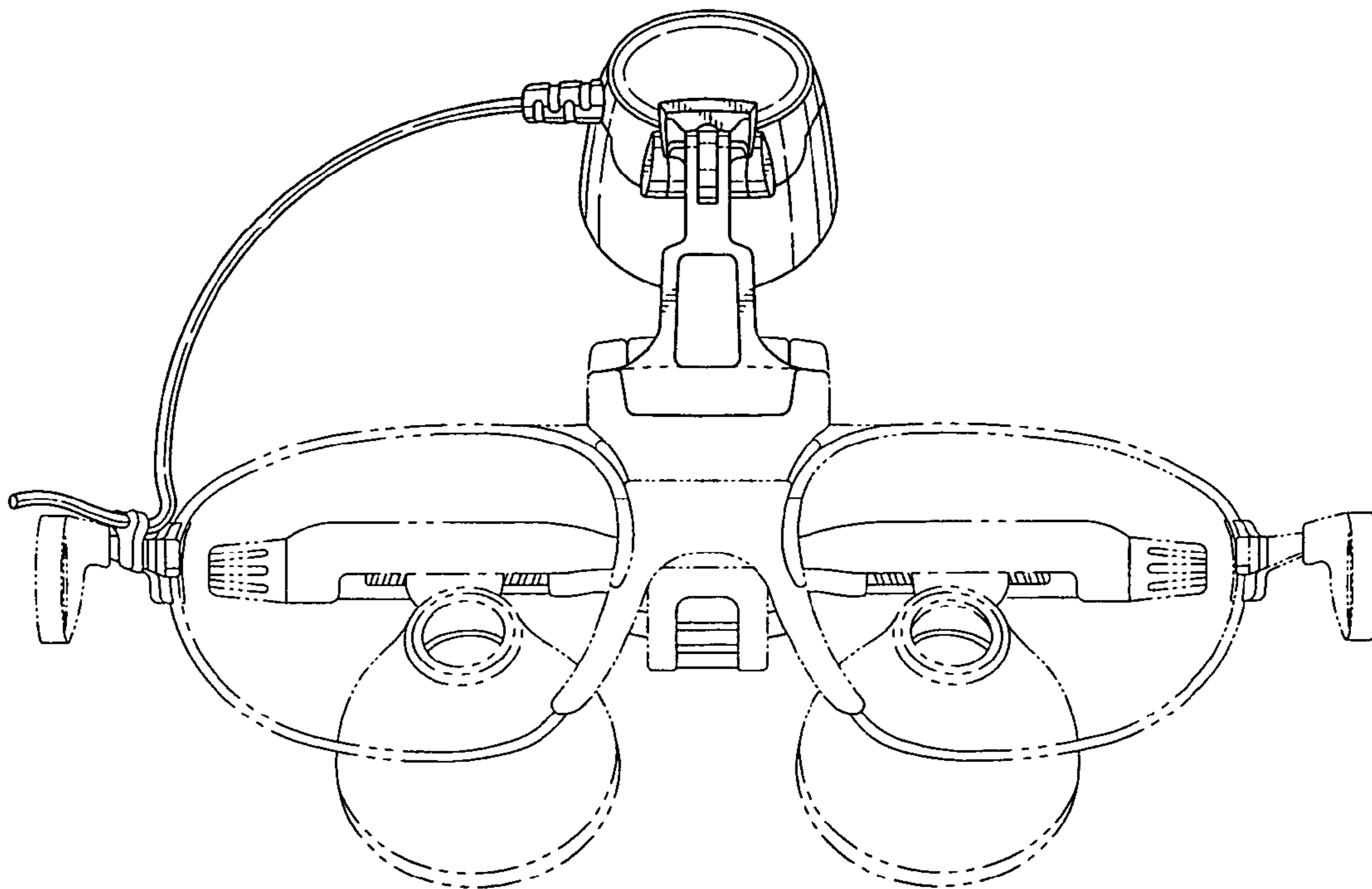


Fig. 7

UNITED STATES PATENT AND TRADEMARK OFFICE
CERTIFICATE OF CORRECTION

PATENT NO. : D650,106 S
APPLICATION NO. : 29/347765
DATED : December 6, 2011
INVENTOR(S) : Andreas Schüssler

Page 1 of 1

It is certified that error appears in the above-identified patent and that said Letters Patent is hereby corrected as shown below:

On the Title Page:

Item (54): delete "LIGHT ILLUMINATION SOURCE" and substitute
-- LIGHT ILLUMINATION SOURCE FOR LOUPES AND ACCESSORIES -- therefor.

Signed and Sealed this
Twenty-eighth Day of February, 2012

A handwritten signature in black ink that reads "David J. Kappos". The signature is written in a cursive, slightly slanted style.

David J. Kappos
Director of the United States Patent and Trademark Office