



US00D650105S

(12) **United States Design Patent**
Crawford et al.

(10) **Patent No.:** **US D650,105 S**

(45) **Date of Patent:** **** Dec. 6, 2011**

(54) **LANTERN LIGHTING DEVICE**

(75) Inventors: **John D. Crawford**, Avon, OH (US);
David J. Hine, Syracuse, NY (US);
Matthew R. Gortner, Manlius, NY
(US); **Mark A. Ferguson**, Memphis, NY
(US)

(73) Assignee: **Eveready Battery Company, Inc.**, St.
Louis, MO (US)

(**) Term: **14 Years**

(21) Appl. No.: **29/385,656**

(22) Filed: **Feb. 17, 2011**

(51) **LOC (9) Cl.** **26-02**

(52) **U.S. Cl.** **D26/41**

(58) **Field of Classification Search** D26/37,
D26/38, 39, 41, 42, 49, 40, 24; 362/157,
362/158, 183, 184, 171-178, 194-196, 202-208
See application file for complete search history.

(56) **References Cited**

U.S. PATENT DOCUMENTS

D440,677 S * 4/2001 Long et al. D26/40
D450,867 S * 11/2001 Long et al. D26/37
D451,220 S * 11/2001 Long et al. D26/37

D486,931 S * 2/2004 Lee D26/38
D509,920 S * 9/2005 Fritz et al. D26/40
D519,658 S * 4/2006 Izardel D26/40
D564,112 S * 3/2008 Jen D26/40
D569,475 S * 5/2008 Szymanski D22/123

* cited by examiner

Primary Examiner — Ian Simmons

Assistant Examiner — Carissa C Fitts

(74) *Attorney, Agent, or Firm* — Michael C. Pophal

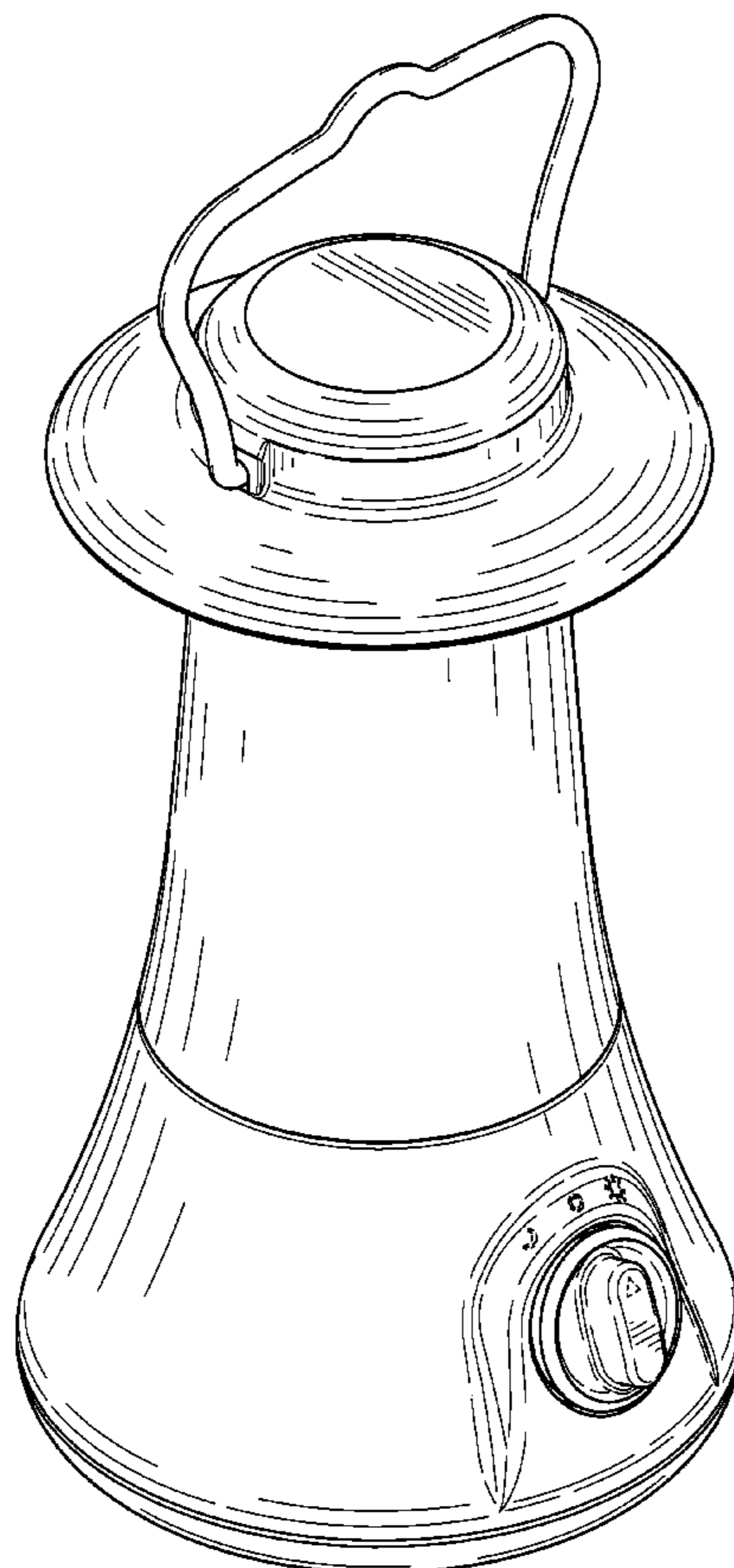
(57) **CLAIM**

We claim the ornamental design for a lantern lighting device,
as shown and described.

DESCRIPTION

FIG. 1 is a front perspective view of the design.
FIG. 2 is a rear perspective view of the design.
FIG. 3 is a left side view of the design.
FIG. 4 is a right side view of the design.
FIG. 5 is a front view of the design.
FIG. 6 is a rear view of the design.
FIG. 7 is a top view of the design; and,
FIG. 8 is a bottom view of the design.
Any broken line(s) shown are for illustrative purposes only
and form no part of the claimed design.

1 Claim, 7 Drawing Sheets



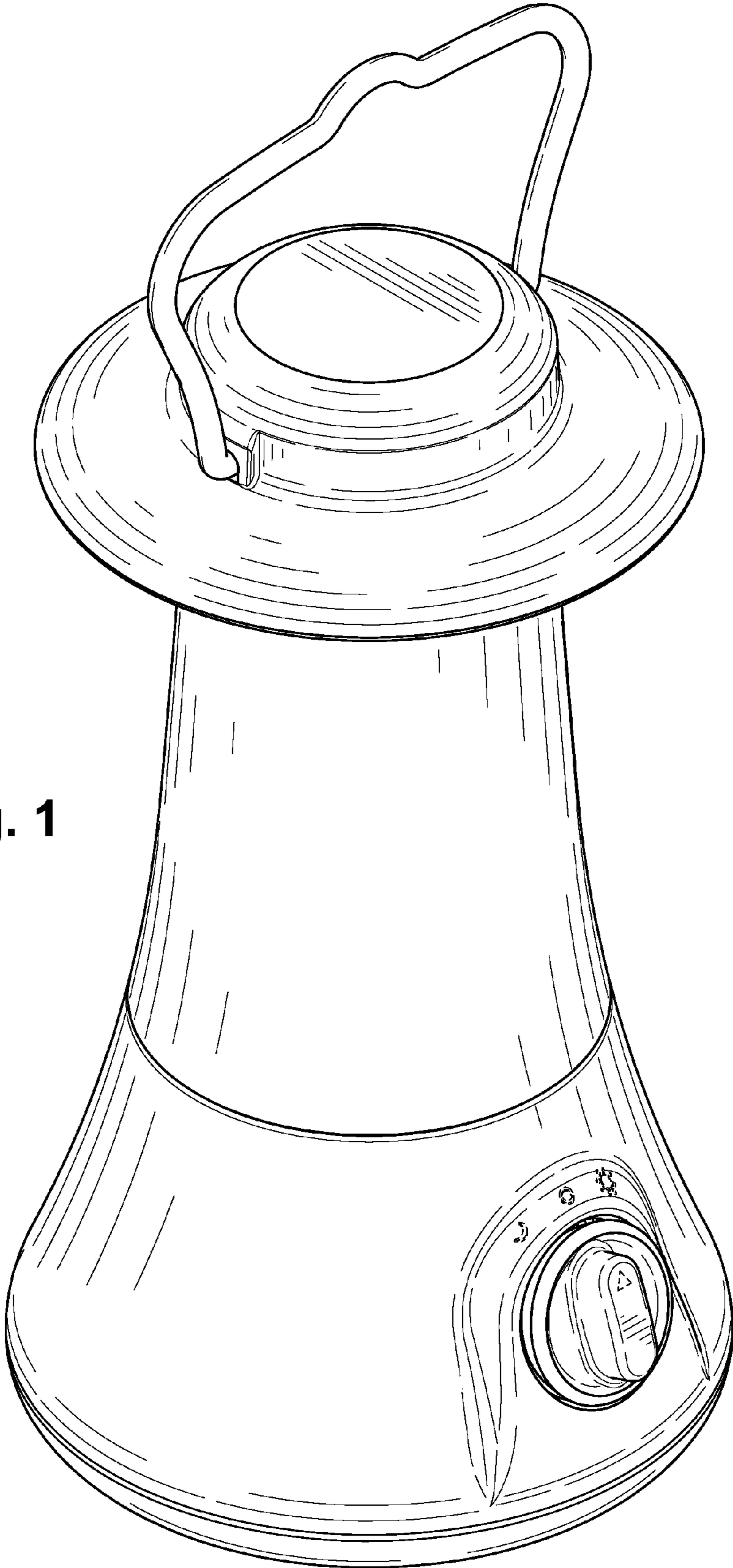
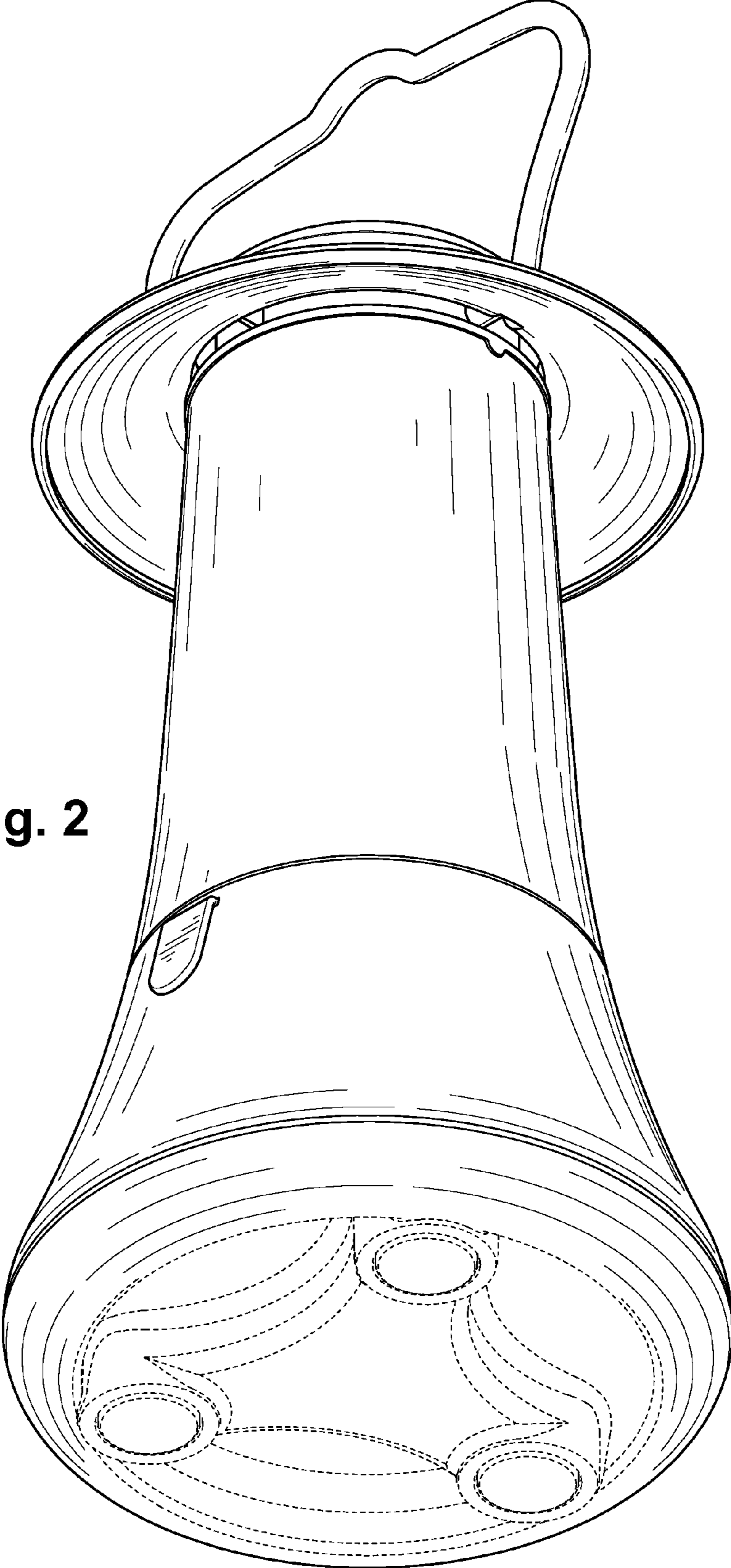


Fig. 1

Fig. 2



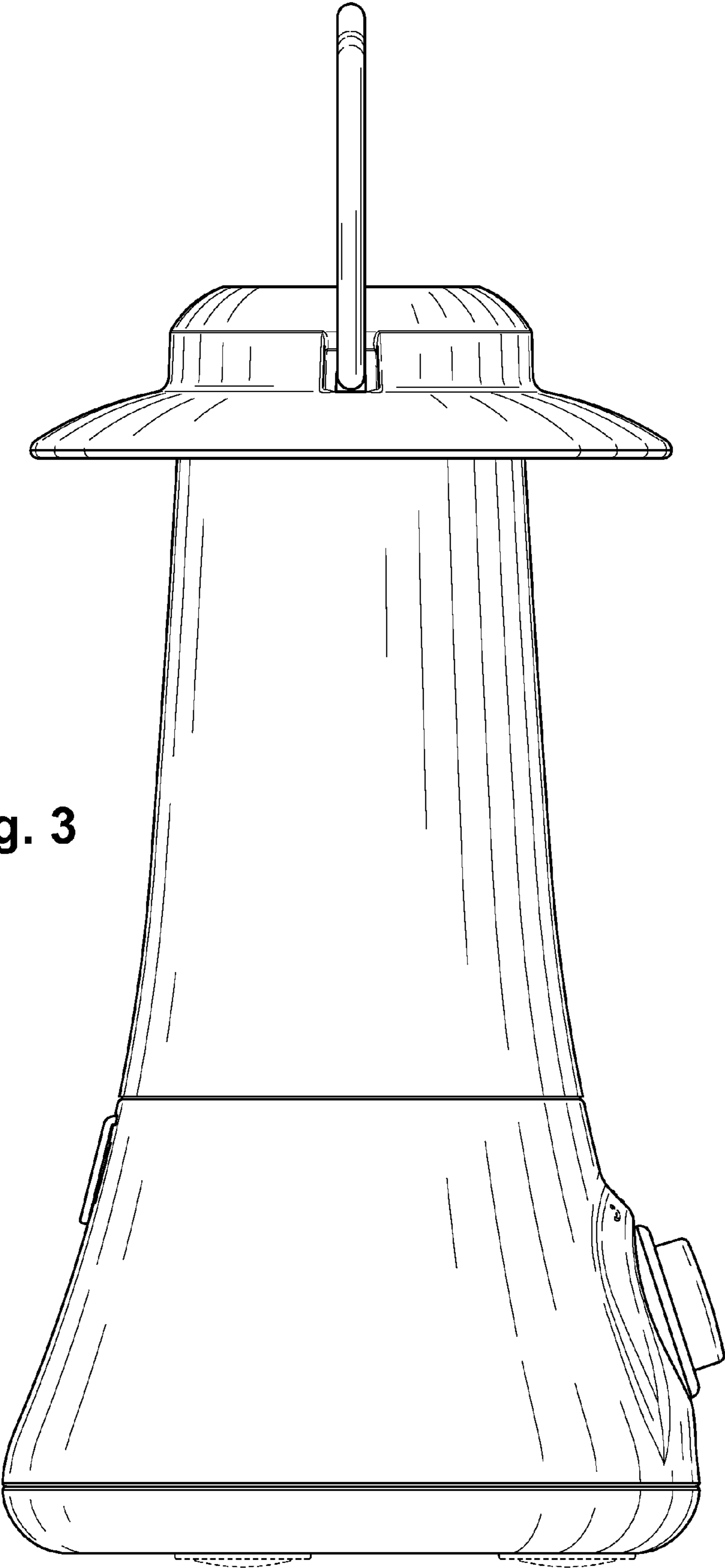


Fig. 3

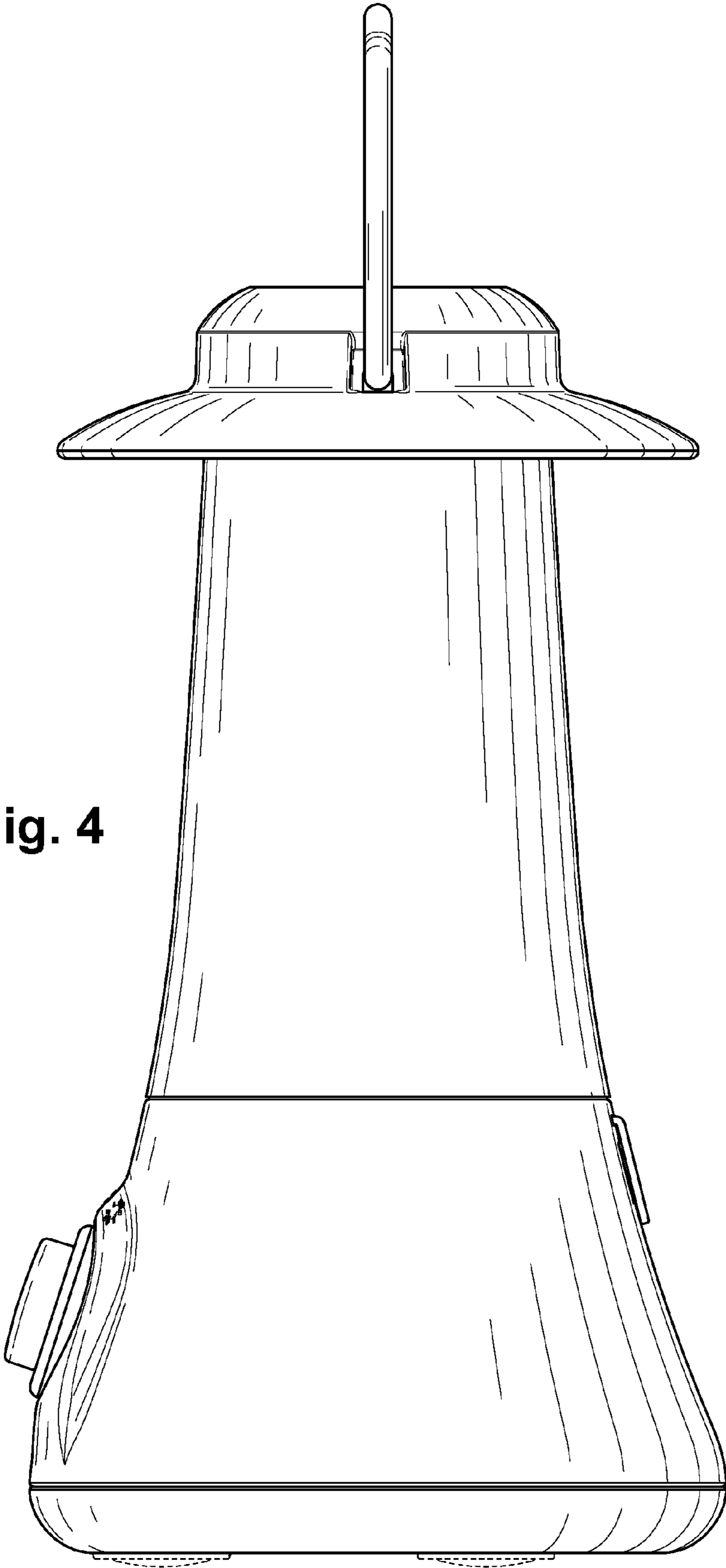


Fig. 4

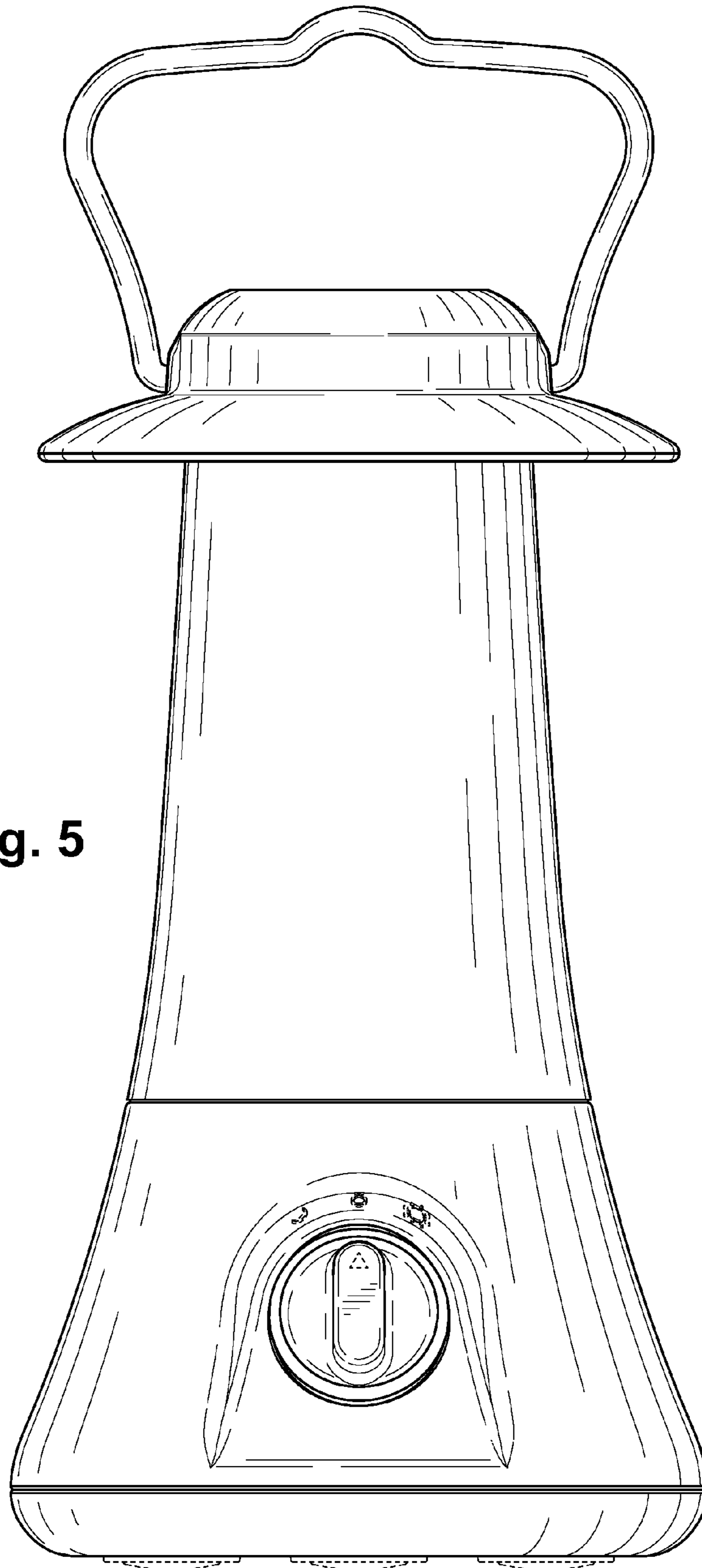


Fig. 5

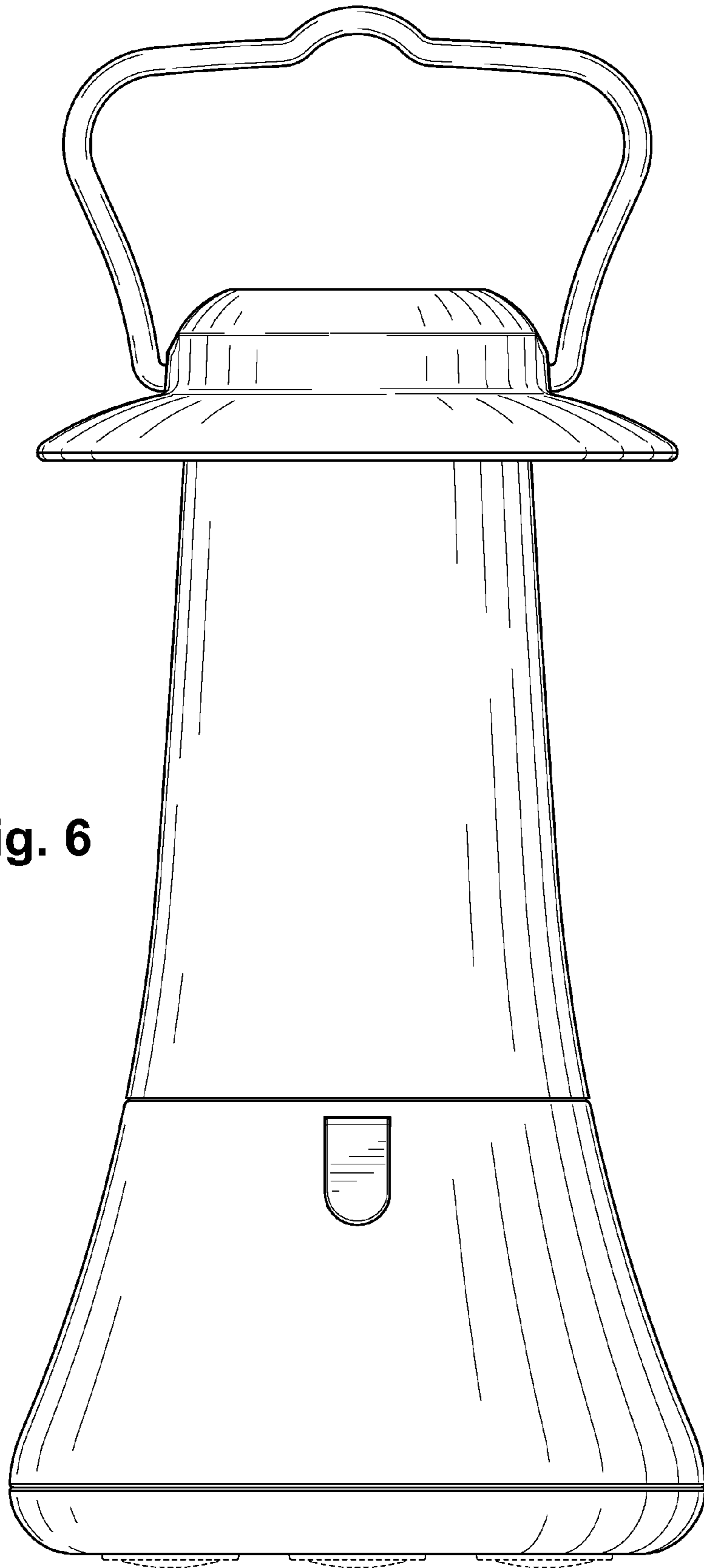


Fig. 6

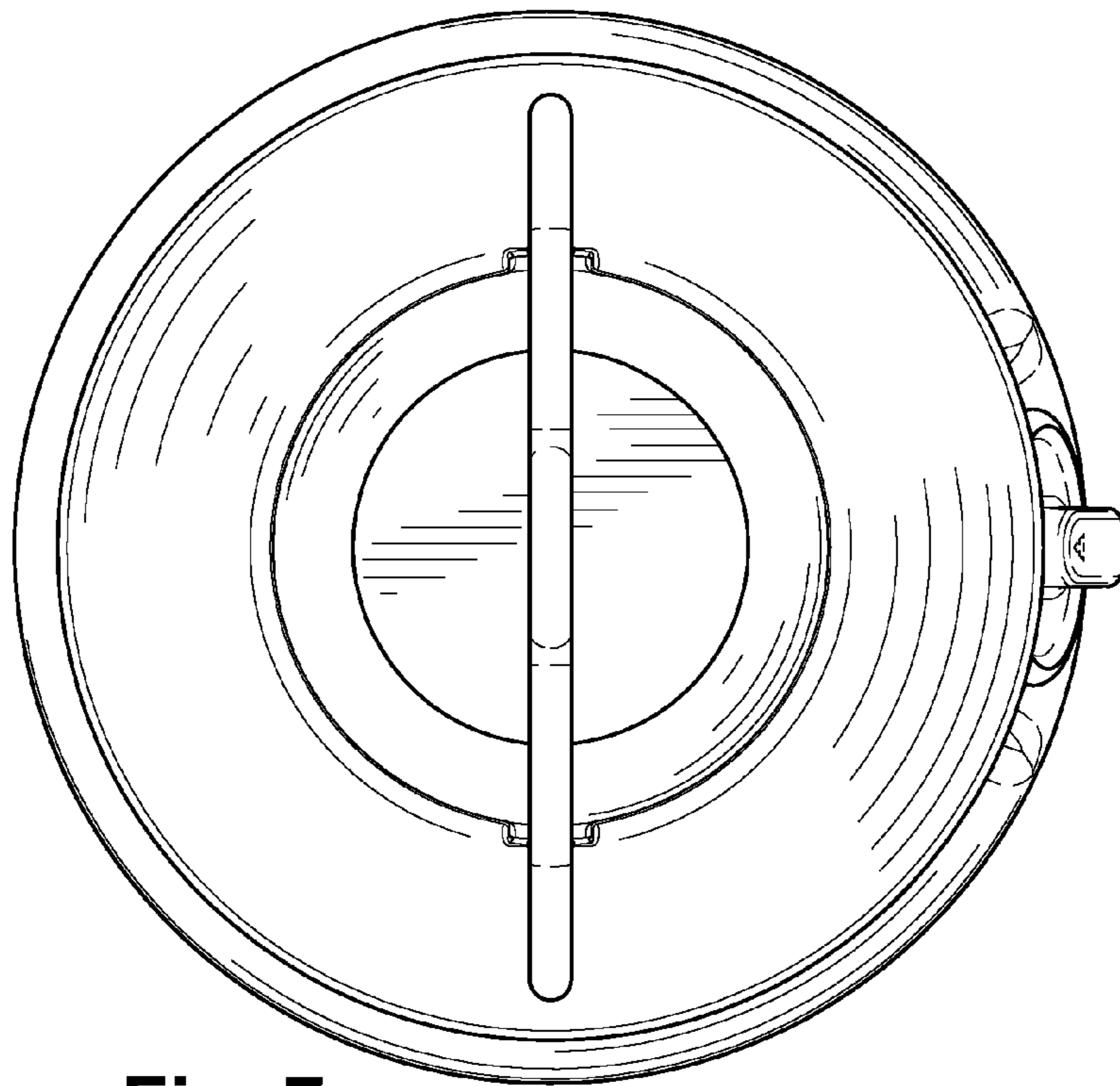


Fig. 7

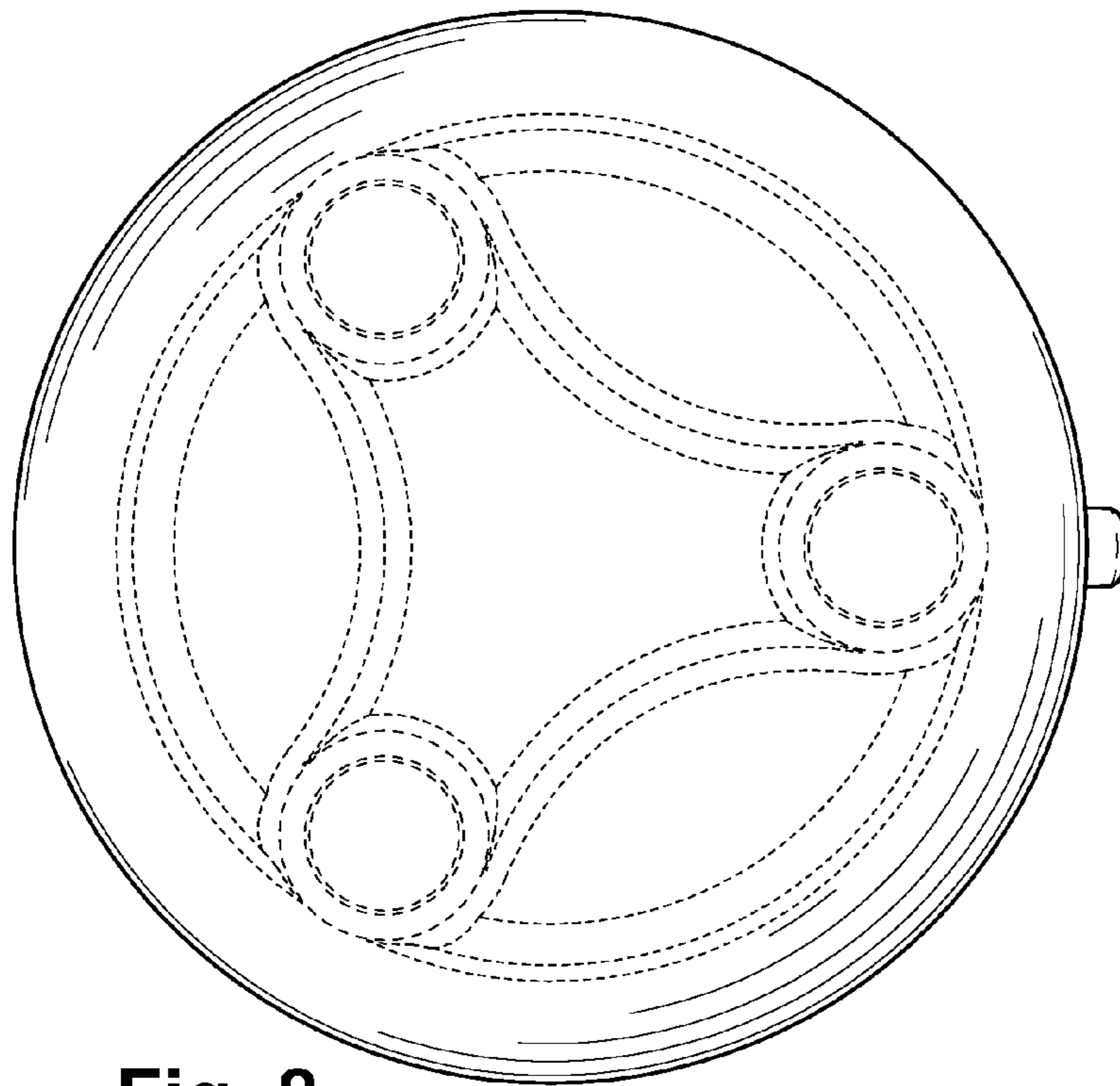


Fig. 8