



US00D650104S

(12) **United States Design Patent**
Brands et al.

(10) **Patent No.:** **US D650,104 S**

(45) **Date of Patent:** **** Dec. 6, 2011**

(54) **LANTERN**

(75) Inventors: **David C. Brands**, Portland, OR (US);
David D. Lewin, Portland, OR (US)

(73) Assignee: **Coast Cutlery Company**, Portland, OR (US)

(**) Term: **14 Years**

(21) Appl. No.: **29/383,423**

(22) Filed: **Jan. 18, 2011**

(51) **LOC (9) Cl.** **26-02**

(52) **U.S. Cl.** **D26/41**

(58) **Field of Classification Search** D26/37,
D26/38, 39, 40, 41, 43, 44, 46, 49; 362/157,
362/158, 184–199, 202–208

See application file for complete search history.

(56) **References Cited**

U.S. PATENT DOCUMENTS

D282,211 S *	1/1986	Tang	D26/42
D390,984 S *	2/1998	Long et al.	D26/41
D397,467 S *	8/1998	Howard et al.	D26/41
D547,891 S *	7/2007	Shiu	D26/40
D555,266 S *	11/2007	Claassen	D26/40
D569,475 S *	5/2008	Szymanski	D22/123
D576,329 S *	9/2008	Poon	D26/40

D608,920 S *	1/2010	Loibl	D26/40
D616,578 S *	5/2010	Leung et al.	D26/41
D617,481 S *	6/2010	Leung et al.	D26/41

* cited by examiner

Primary Examiner — Ian Simmons

Assistant Examiner — Carissa C Fitts

(74) *Attorney, Agent, or Firm* — Schwabe, Williamson & Wyatt

(57) **CLAIM**

The ornamental design for a lantern, as shown and described.

DESCRIPTION

FIG. 1 is a perspective view of a lantern showing our new design;

FIG. 2 is a front elevation view thereof;

FIG. 3 is a rear elevation view thereof;

FIG. 4 is a side elevation view thereof;

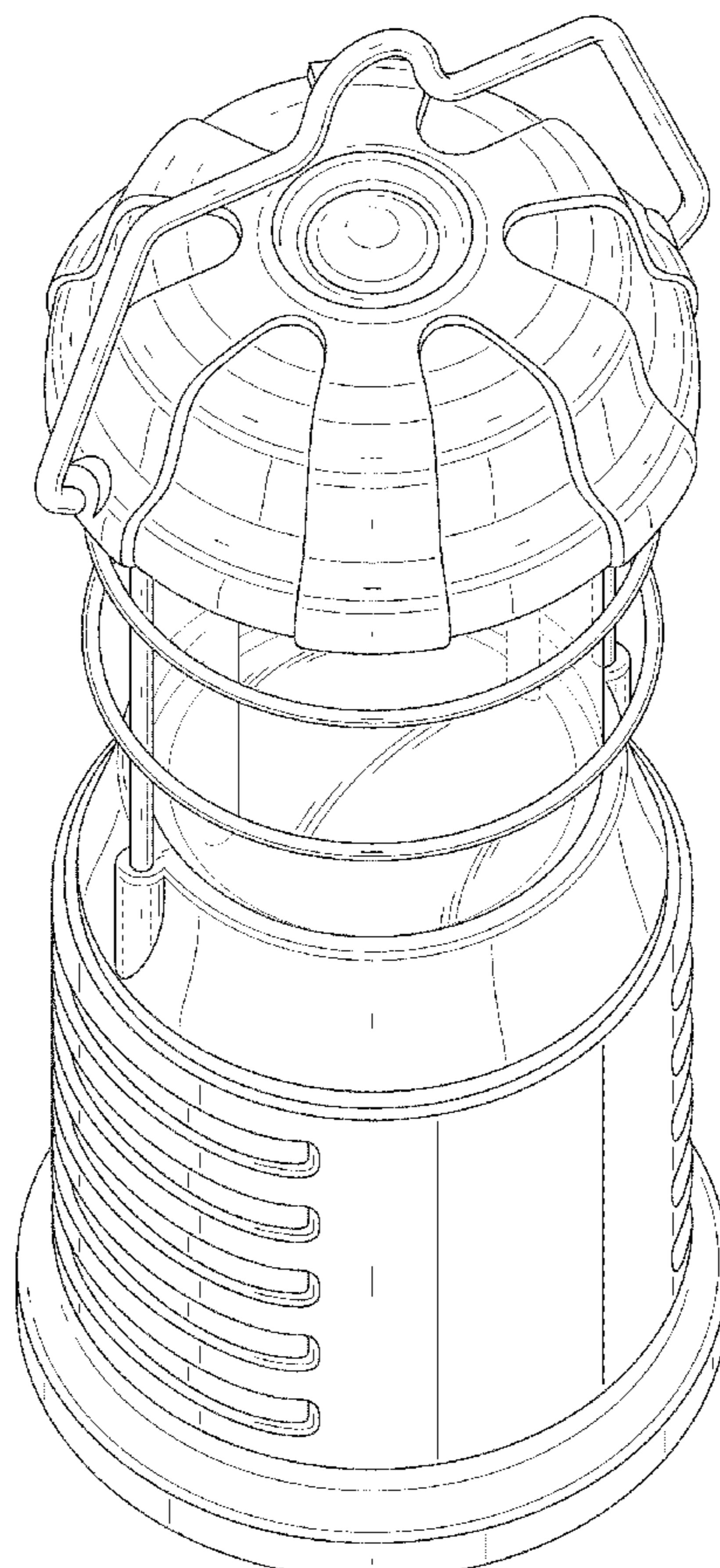
FIG. 5 is a second side elevation view thereof;

FIG. 6 is a top plan view thereof; and,

FIG. 7 is a bottom plan view thereof.

The broken line showing is for environmental purposes only and forms no part of the claimed design.

1 Claim, 6 Drawing Sheets



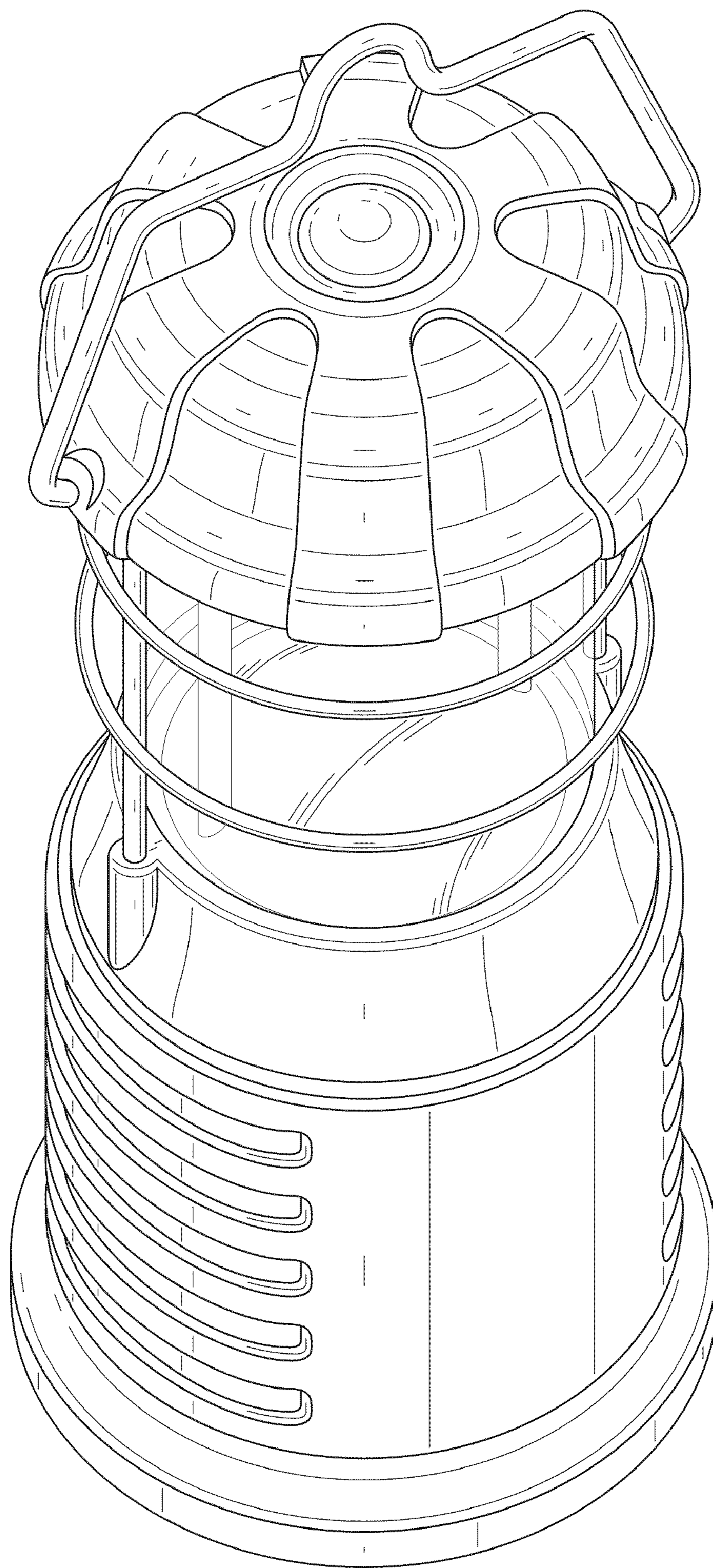


FIG. 1

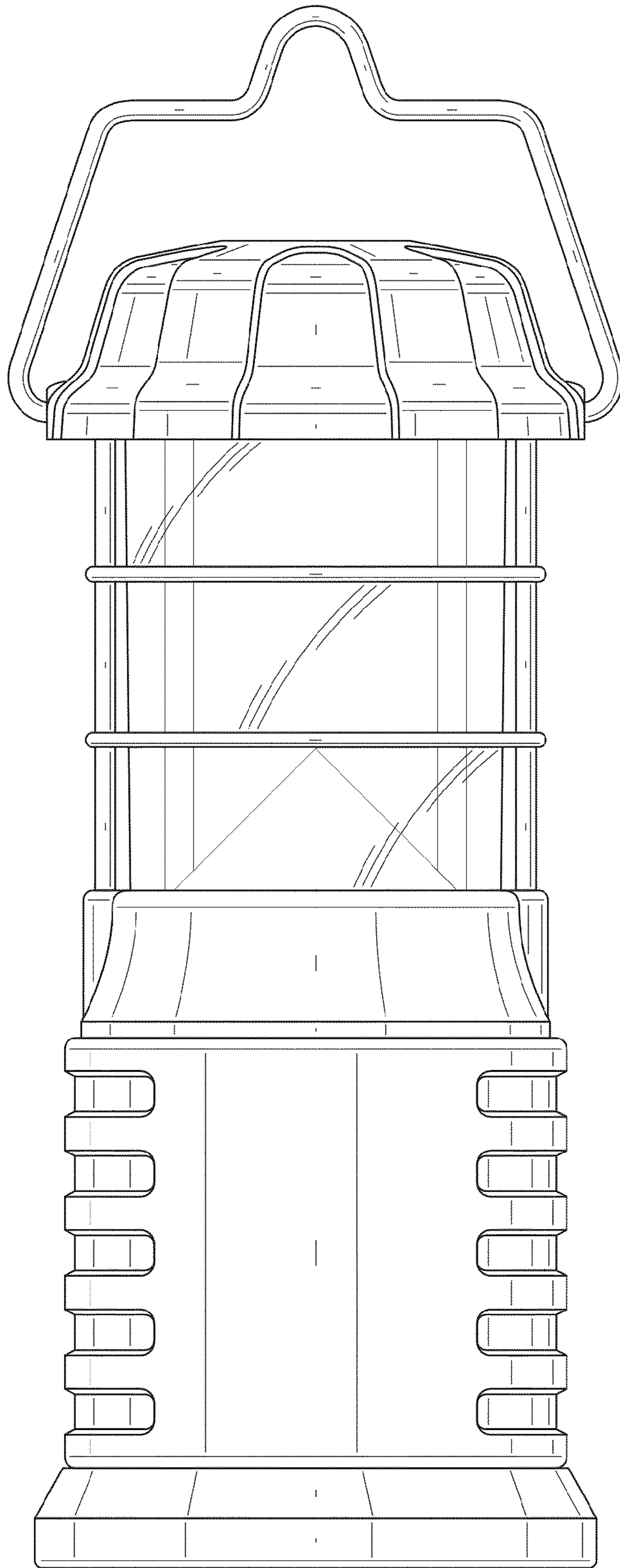


FIG. 2

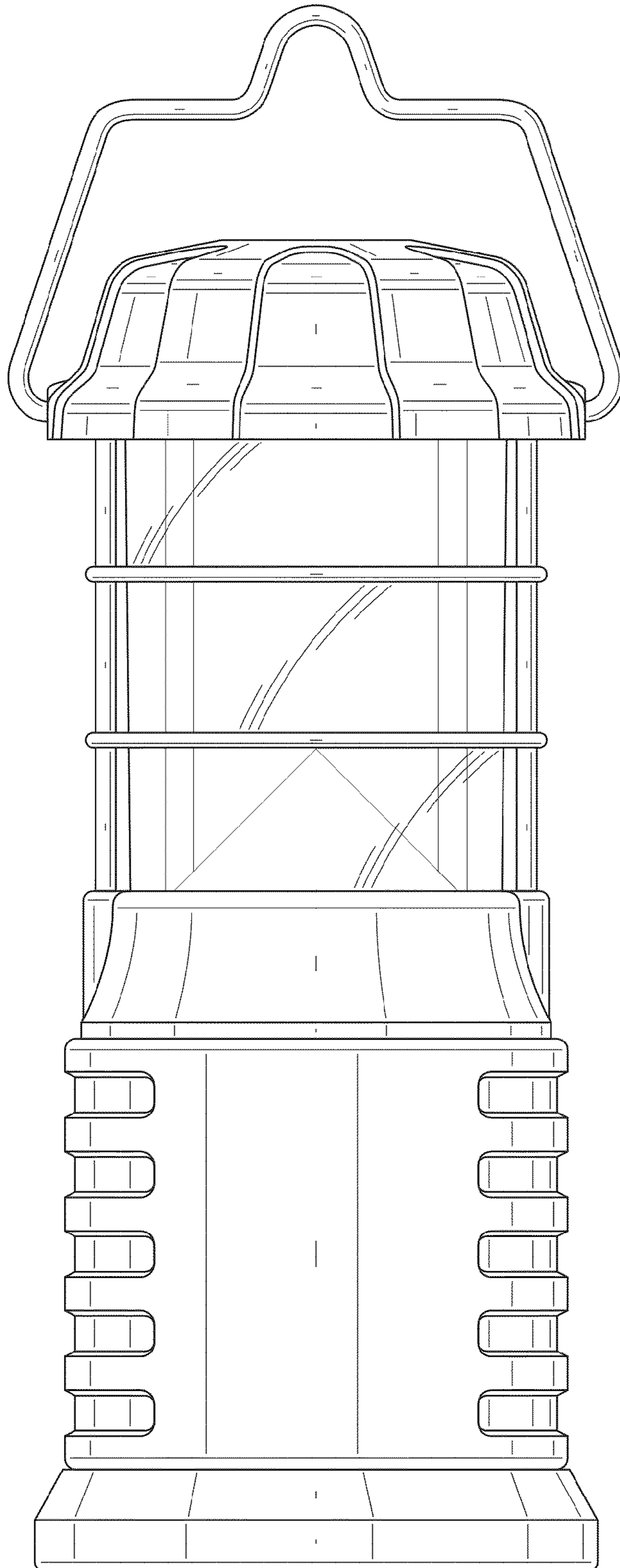


FIG. 3

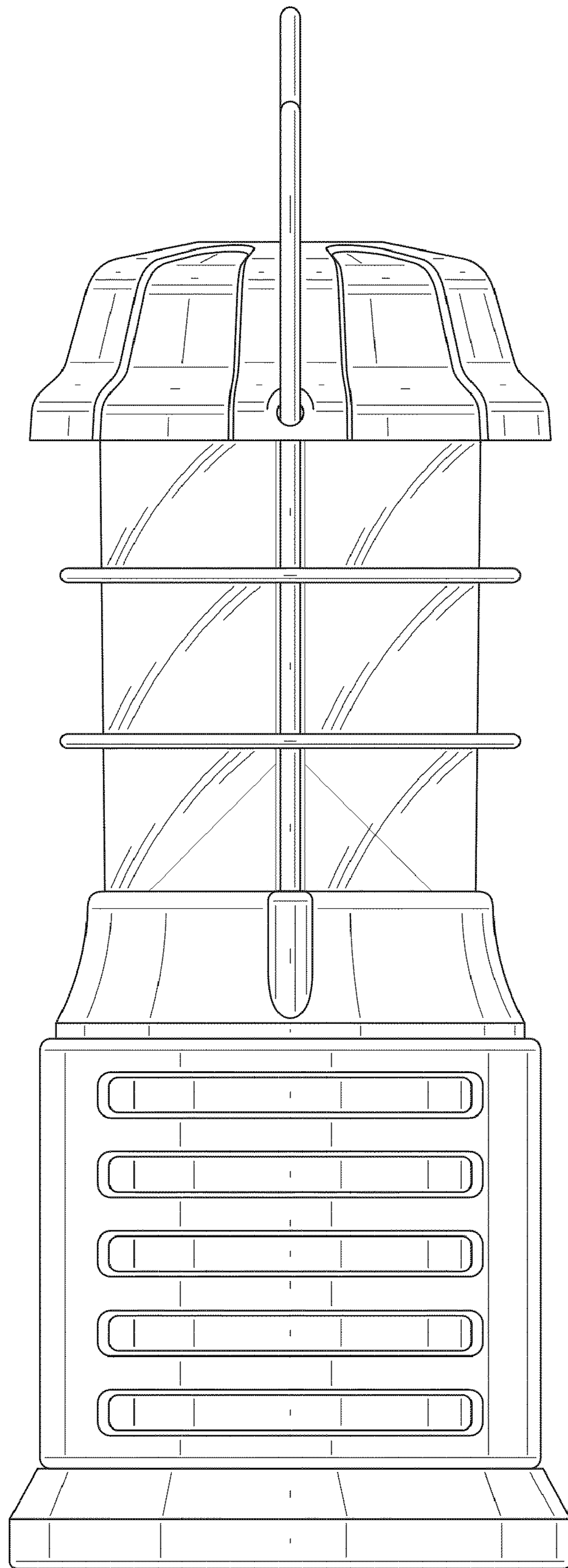


FIG. 4

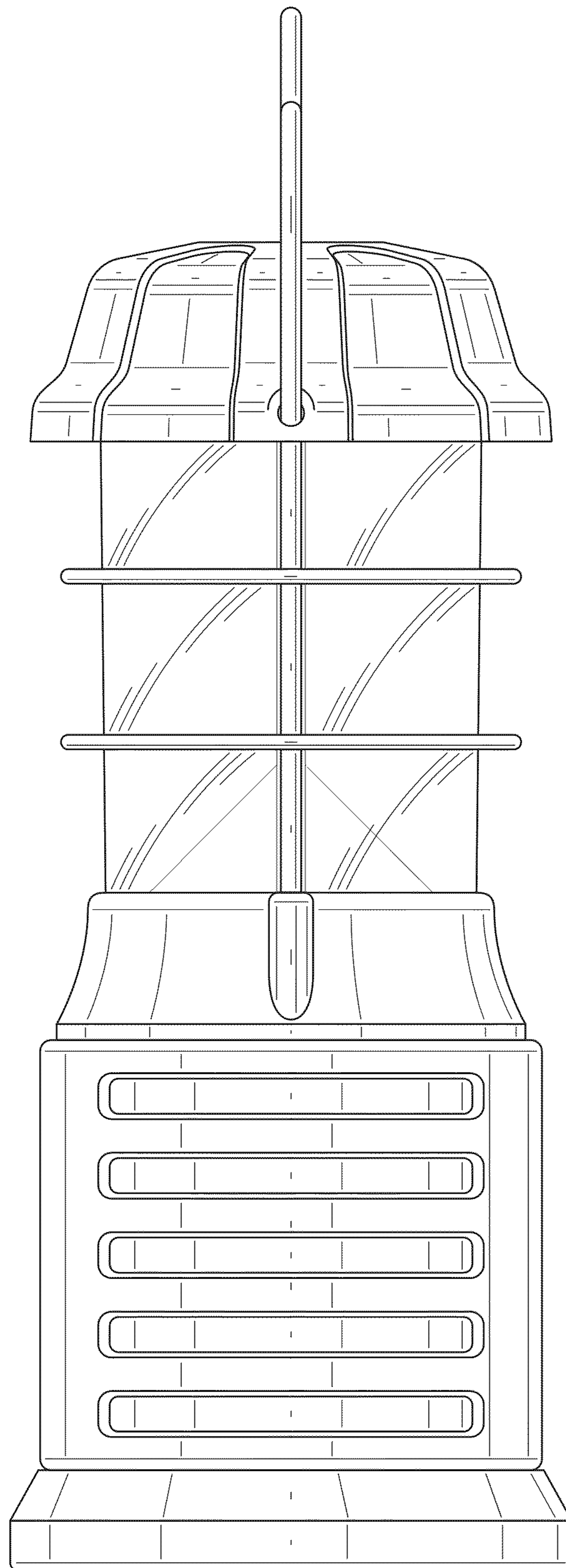


FIG. 5

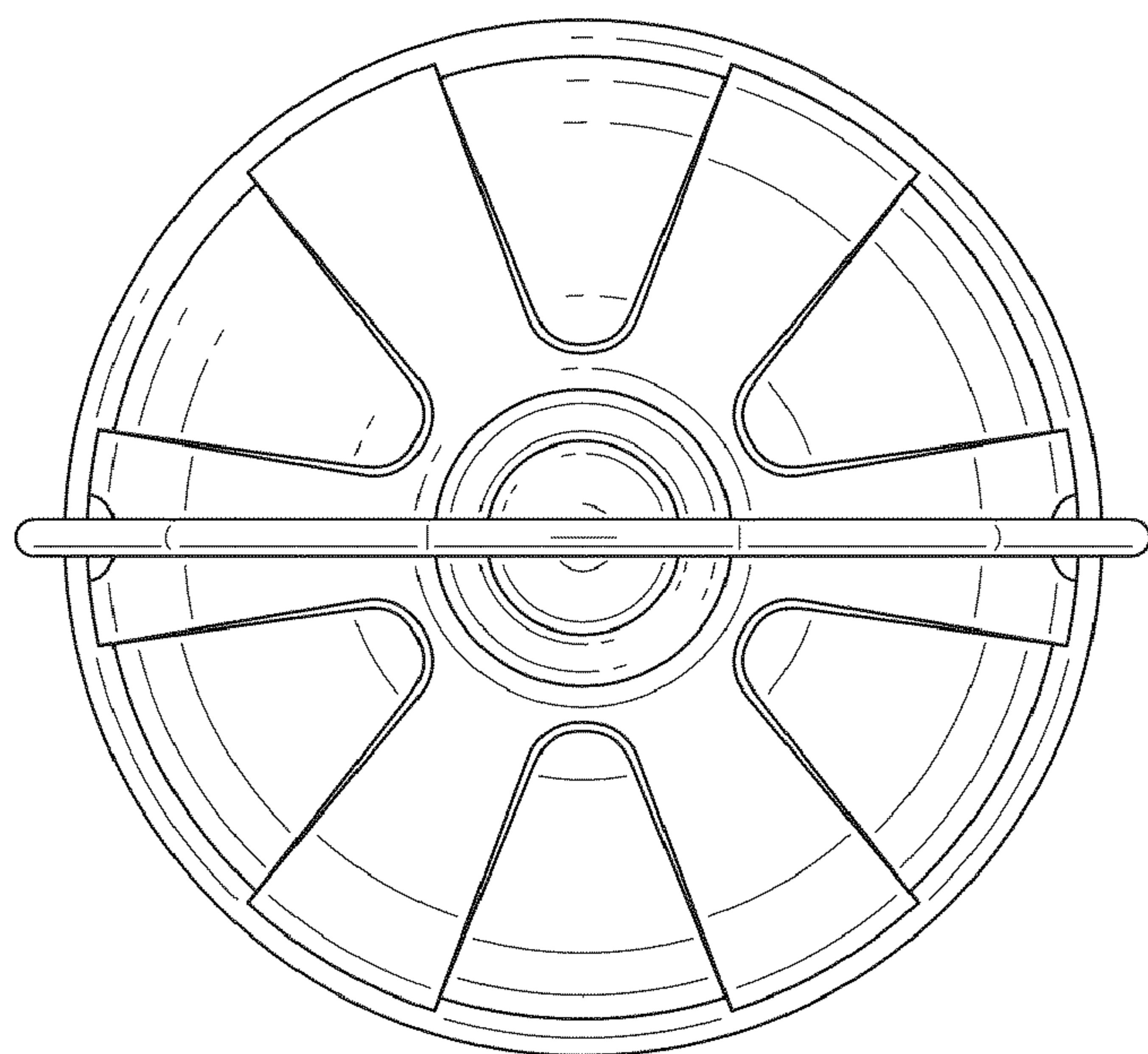


FIG. 6

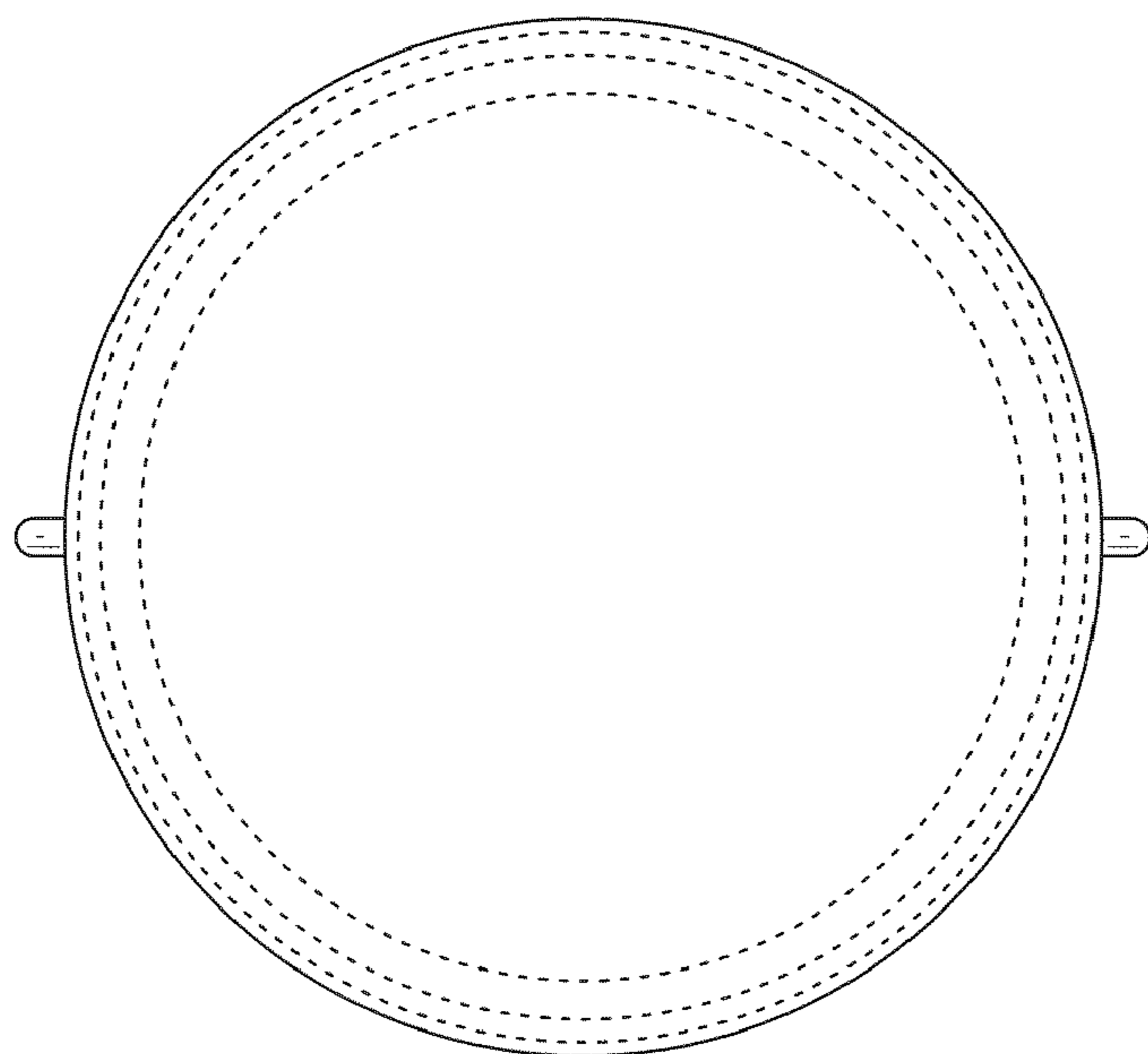


FIG. 7