



US00D650102S

(12) **United States Design Patent**
Pearson

(10) **Patent No.:** **US D650,102 S**

(45) **Date of Patent:** **** Dec. 6, 2011**

(54) **FLASHLIGHT**

(76) **Inventor:** **Arthur Scott Pearson**, Upland, CA
(US)

(**) **Term:** **14 Years**

(21) **Appl. No.:** **29/292,276**

(22) **Filed:** **Oct. 6, 2007**

(51) **LOC (9) Cl.** **26-02**

(52) **U.S. Cl.** **D26/38; D26/50**

(58) **Field of Classification Search** D26/37,
D26/46, 48, 38, 51; 362/157, 158, 183, 184,
362/194-196, 200-208, 190, 191

See application file for complete search history.

(56) **References Cited**

U.S. PATENT DOCUMENTS

D379,689	S	*	6/1997	Levine et al.	D30/153
5,762,029	A	*	6/1998	DuBois et al.	119/796
D402,426	S	*	12/1998	Levine et al.	D30/153
5,887,550	A	*	3/1999	Levine et al.	119/796
D410,117	S	*	5/1999	Ball et al.	D30/153
6,003,472	A	*	12/1999	Matt et al.	119/796
6,024,054	A	*	2/2000	Matt et al.	119/796
D445,519	S	*	7/2001	Burns	D26/38
D519,246	S	*	4/2006	Plewa	D30/153

D536,813	S	*	2/2007	Yuen	D26/38
D541,960	S	*	5/2007	Rothman	D26/37
D544,973	S	*	6/2007	Lee	D26/37
D570,019	S	*	5/2008	Lee	D26/37
2007/0030672	A1	*	2/2007	Offiler et al.	362/198

* cited by examiner

Primary Examiner — Ian Simmons

Assistant Examiner — Carissa C Fitts

(74) *Attorney, Agent, or Firm* — Clement Cheng

(57) **CLAIM**

The ornamental design for a flashlight, as shown and described.

DESCRIPTION

FIG. 1 is a perspective view.

FIG. 2 is a front perspective view.

FIG. 3 is a rear side perspective view.

FIG. 4 is a left side perspective view.

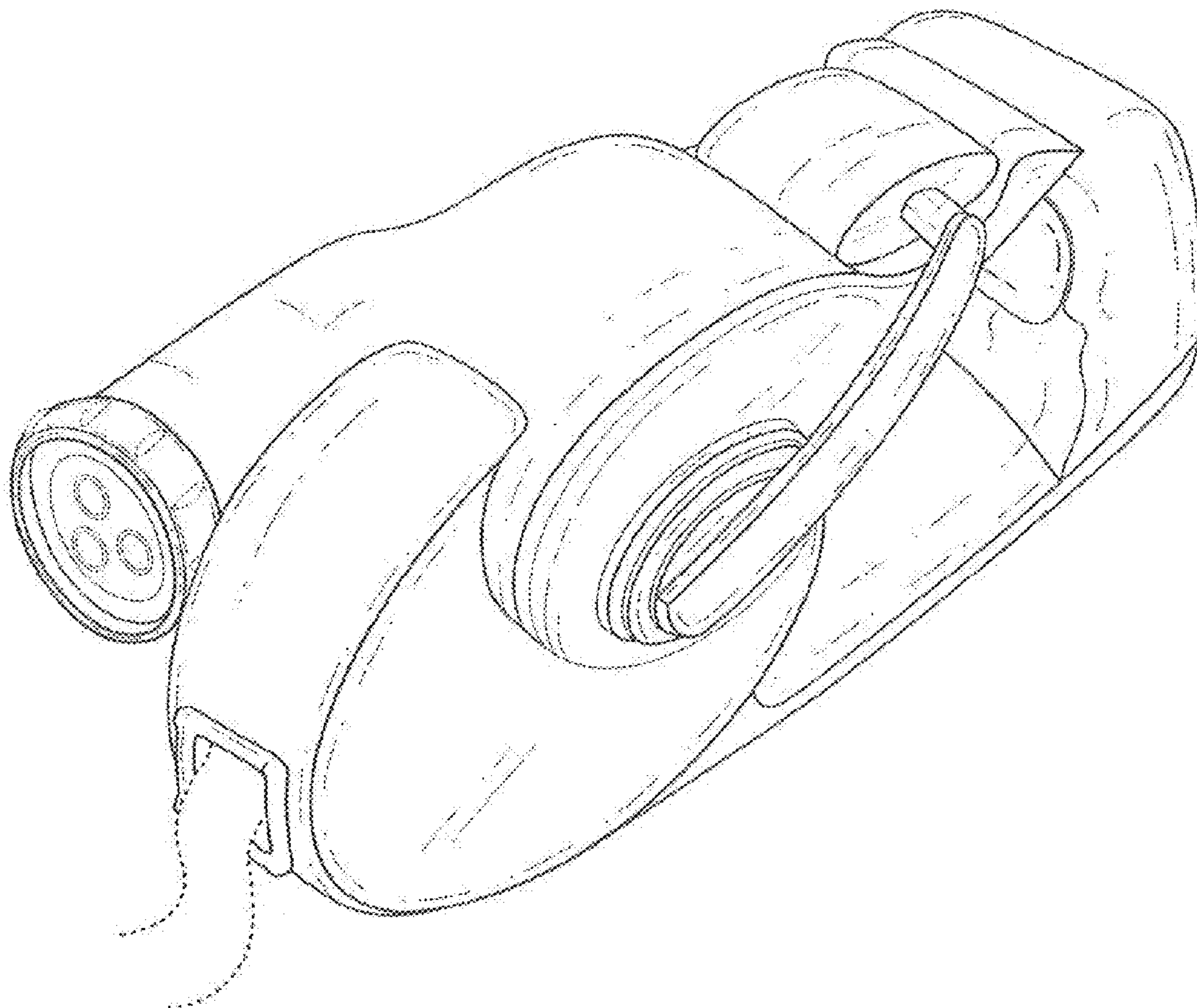
FIG. 5 is a right side perspective view.

FIG. 6 is a top view; and,

FIG. 7 is a bottom view.

The broken line showing is for illustrative purposes only and forms no part of the claimed design.

1 Claim, 5 Drawing Sheets



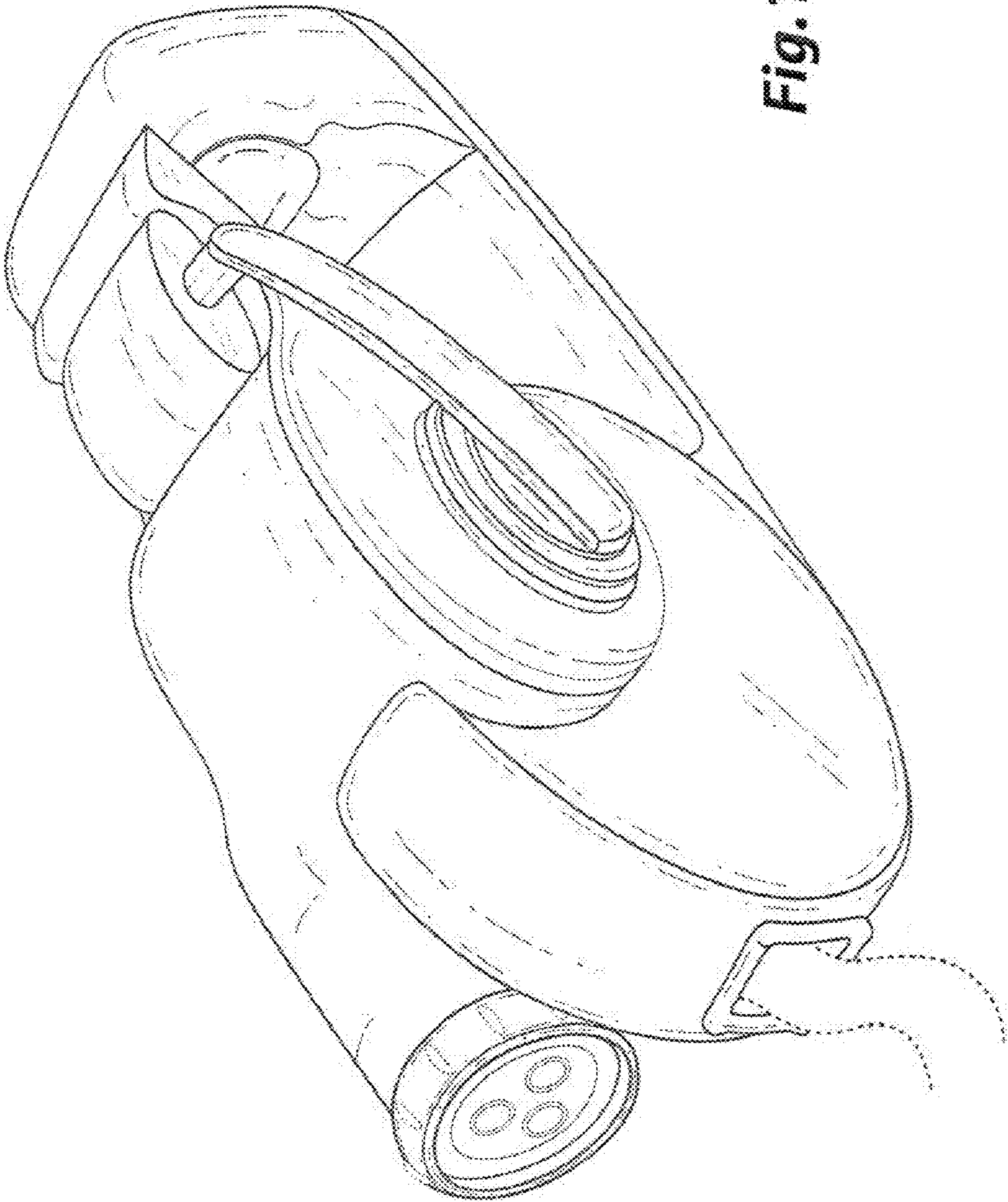


Fig. 1

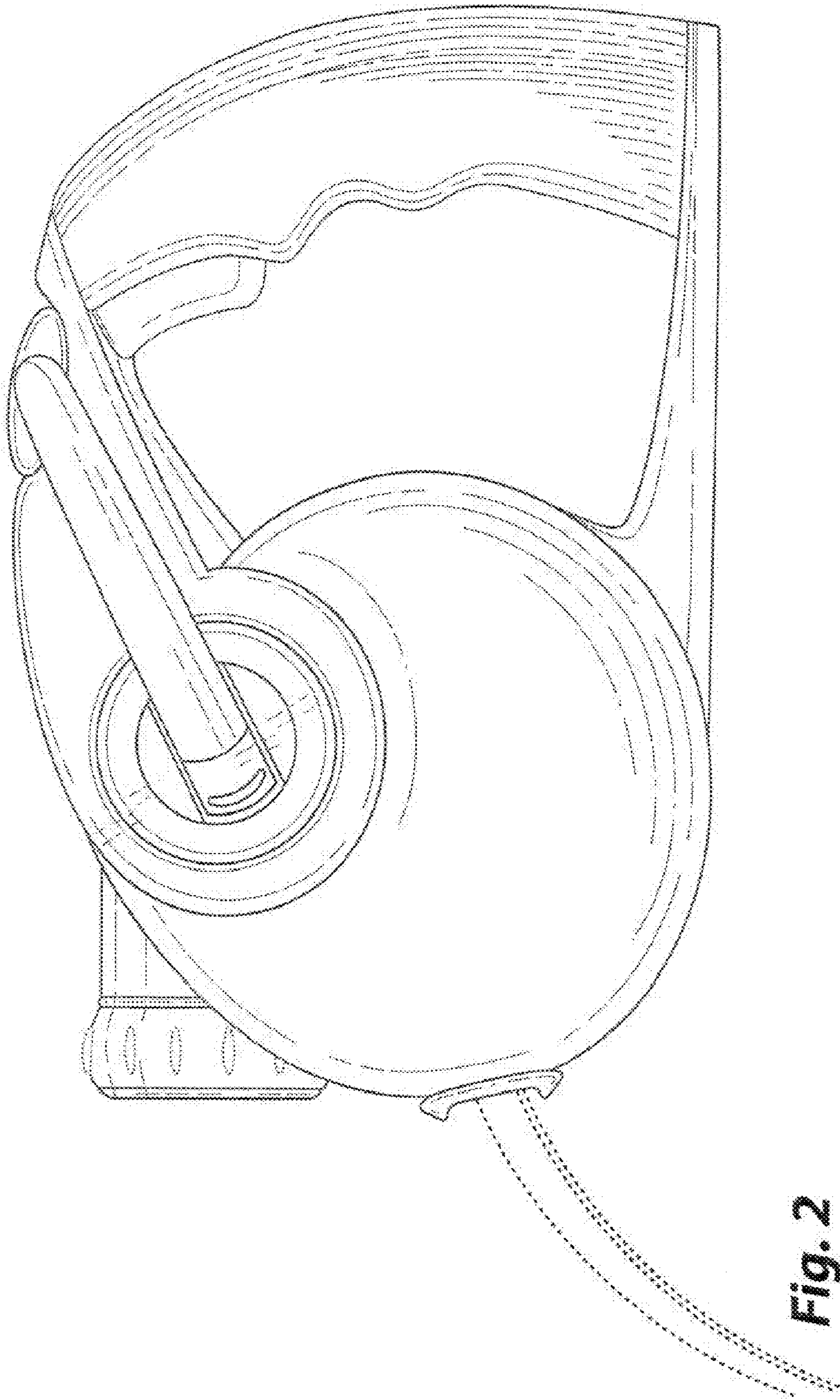


Fig. 2

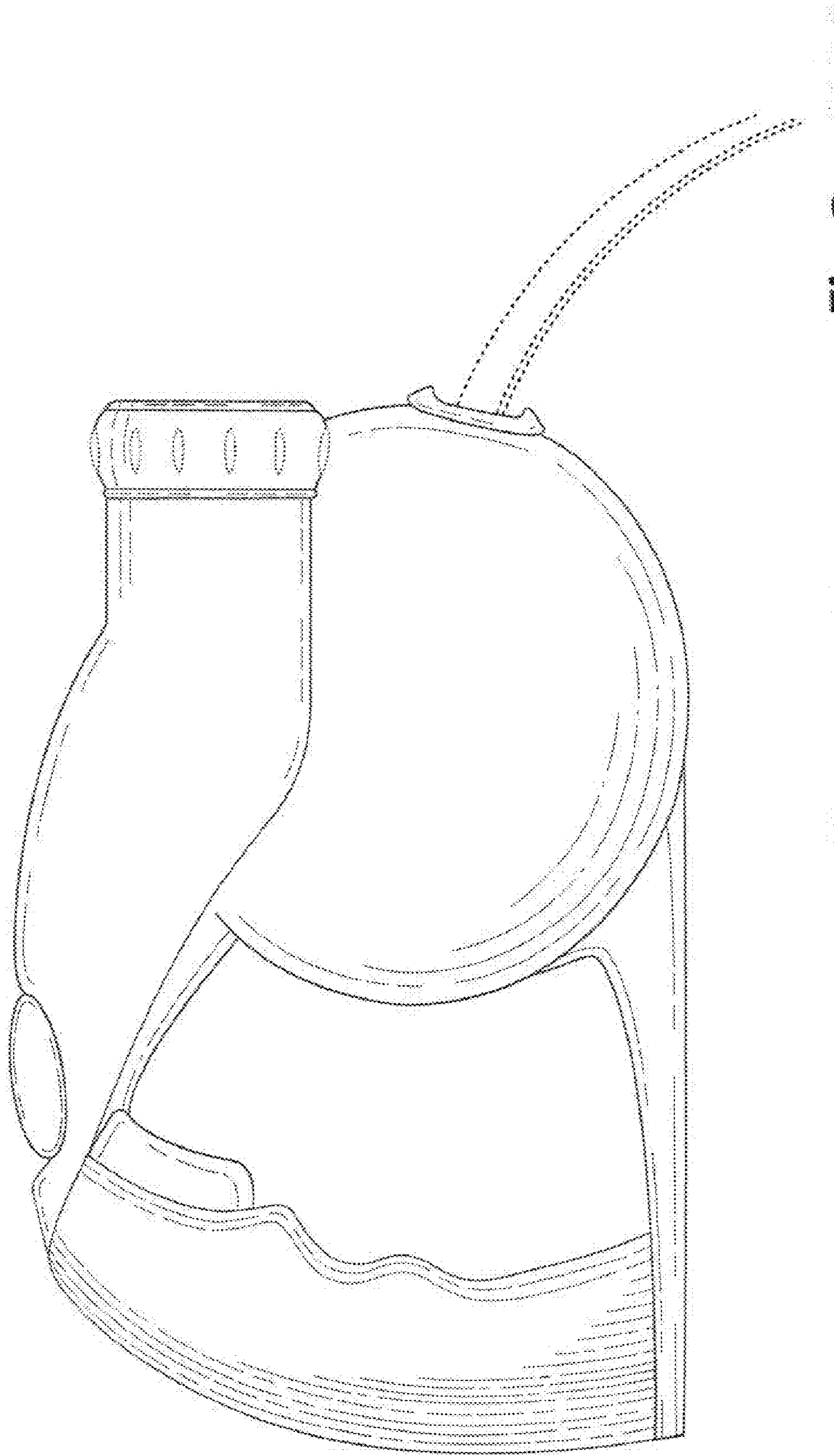


Fig. 3

Fig. 5

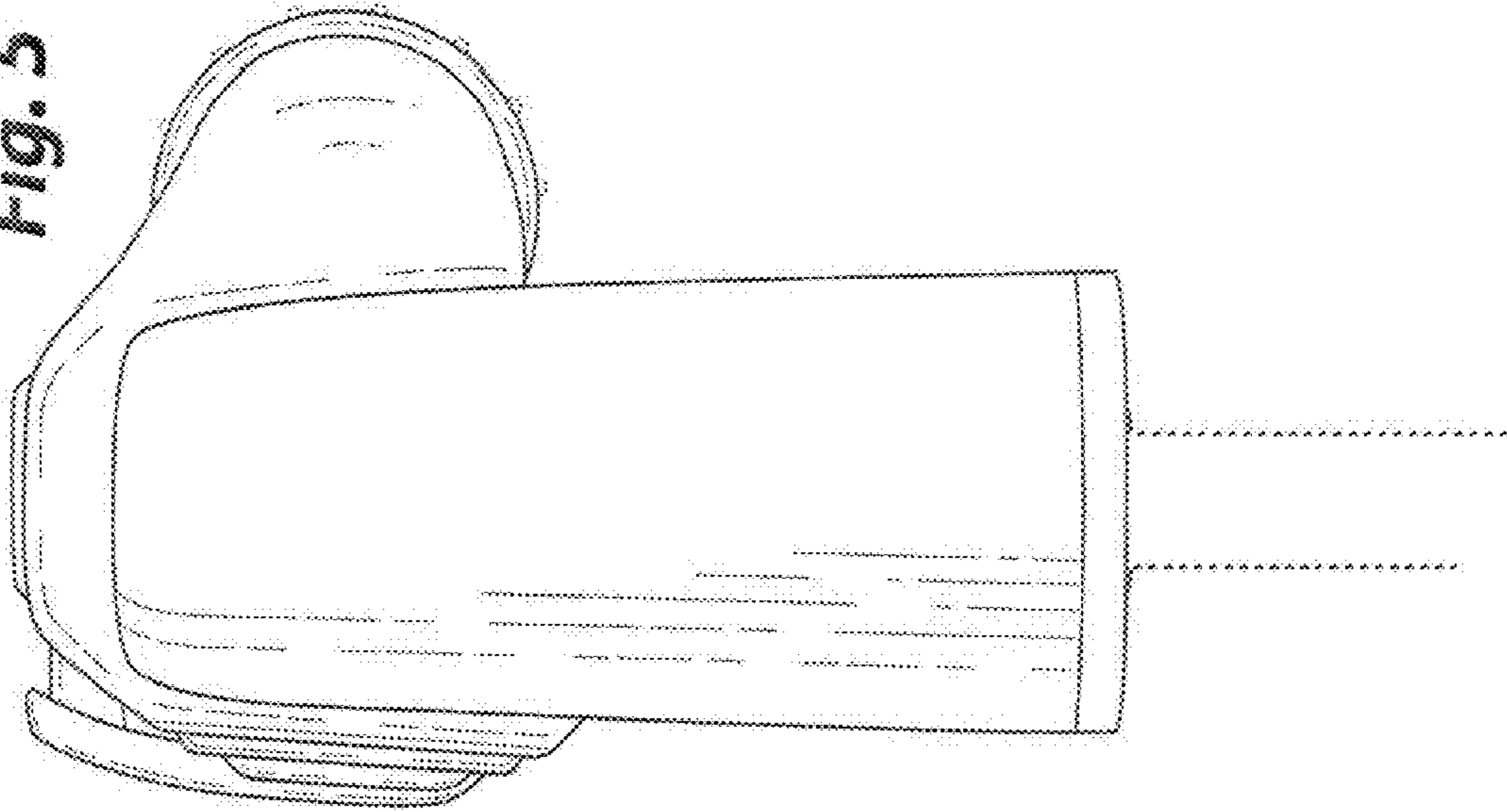
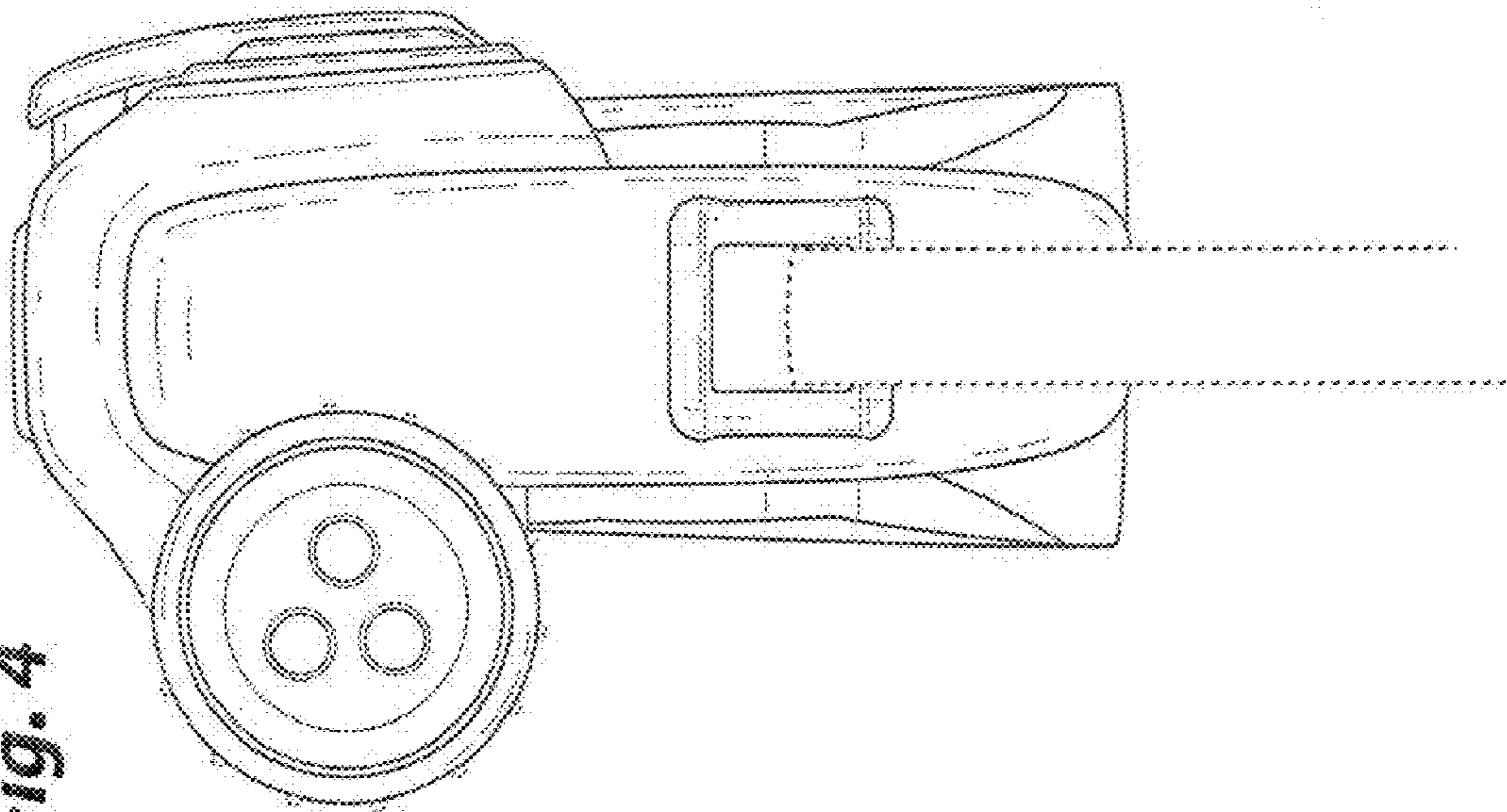


Fig. 4



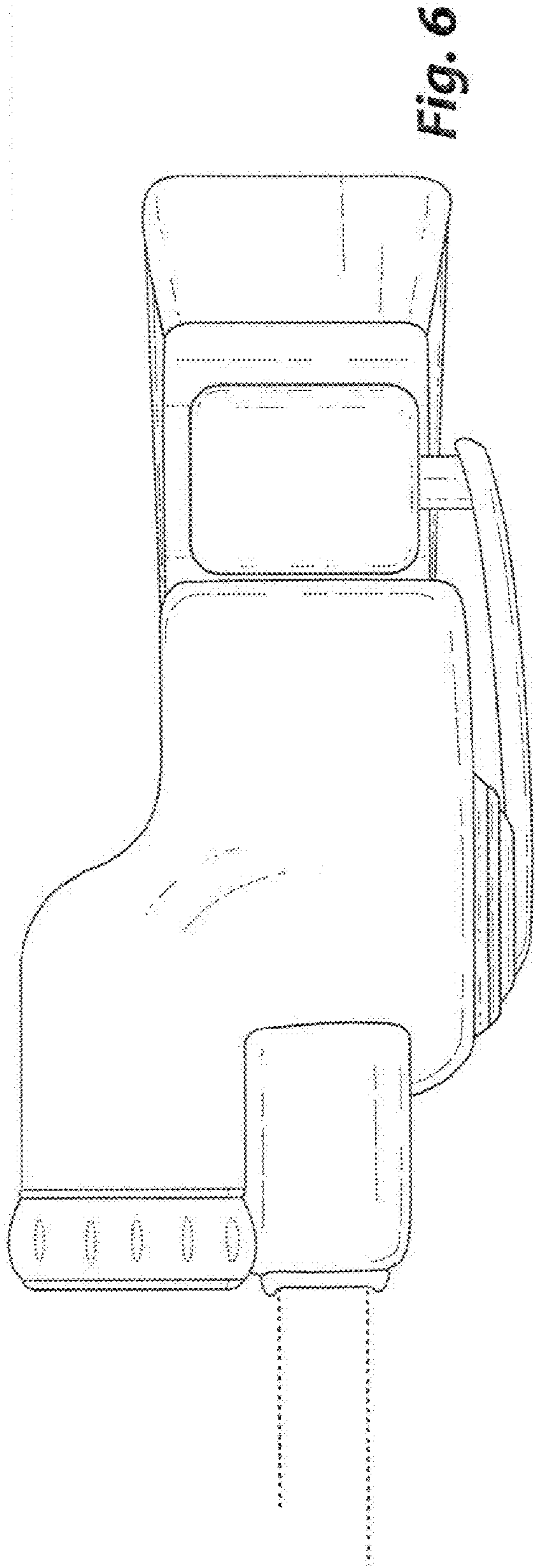


Fig. 6

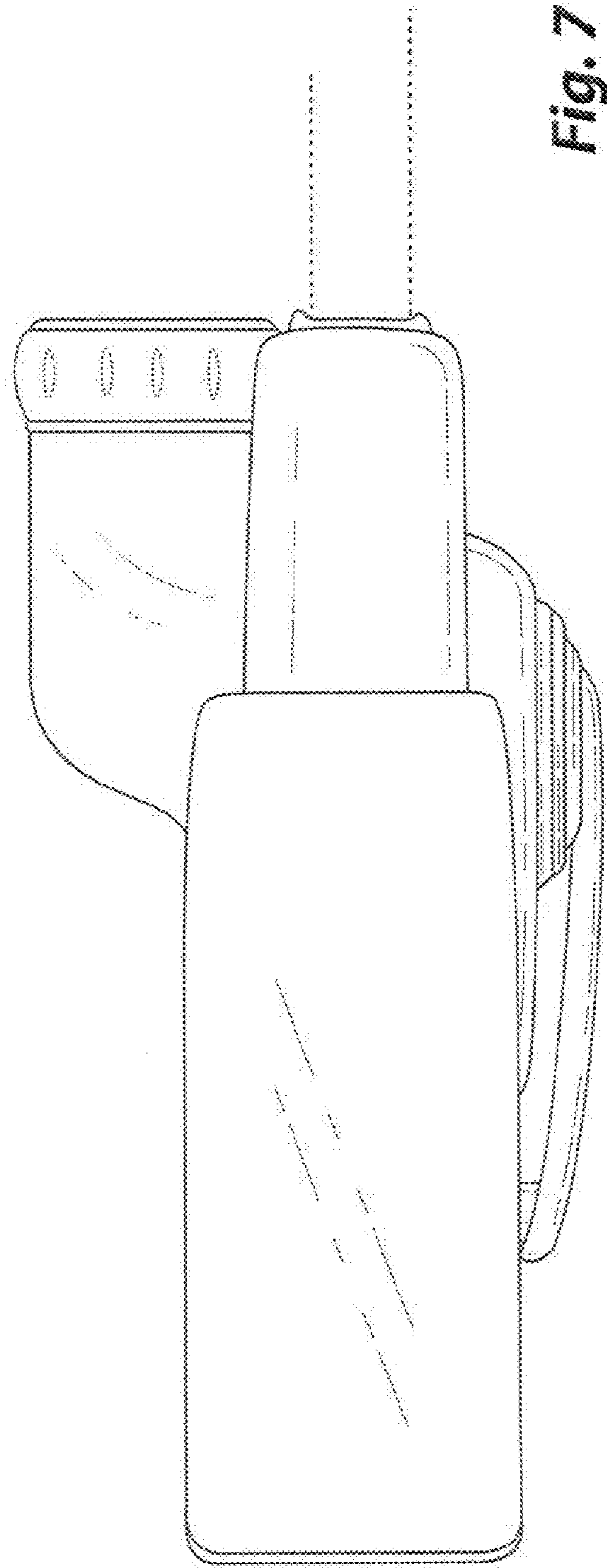


Fig. 7