



US00D650100S

(12) **United States Design Patent**  
**Futschik et al.**

(10) **Patent No.:** **US D650,100 S**  
(45) **Date of Patent:** **\*\* Dec. 6, 2011**

(54) **TAILLIGHT FOR A VEHICLE**

(75) Inventors: **Hans-Dieter Futschik**, Gechingen (DE);  
**Jaroslav Hejtmanek**, Moetzingen (DE);  
**Steffen Koehl**, Stuttgart (DE); **Frank Pfisterer**, Weil der Stadt (DE); **Gorden Wagener**, Stuttgart (DE)

(73) Assignee: **Daimler AG**, Stuttgart (DE)

(\*\*) Term: **14 Years**

(21) Appl. No.: **29/394,928**

(22) Filed: **Jun. 23, 2011**

**Related U.S. Application Data**

(62) Division of application No. 29/311,118, filed on Dec. 23, 2008.

(51) **LOC (9) Cl.** ..... **26-06**

(52) **U.S. Cl.** ..... **D26/28**

(58) **Field of Classification Search** ..... D26/28-36;  
362/459-468, 475-478, 485-487  
See application file for complete search history.

(56) **References Cited**

**U.S. PATENT DOCUMENTS**

D549,363	S	*	8/2007	Pfeiffer	.....	D26/28
D552,769	S		10/2007	Leclercq		
D553,268	S	*	10/2007	Pfeiffer	.....	D26/28
D553,269	S	*	10/2007	Pfeiffer et al.	.....	D26/28
D560,292	S		1/2008	Sato		
D561,357	S		2/2008	Leclercq		
D565,211	S	*	3/2008	Haller et al.	.....	D26/28

D570,015	S		5/2008	Hsu		
D574,524	S	*	8/2008	Tomatsu	.....	D26/28
D592,770	S	*	5/2009	Bauer et al.	.....	D26/28
D605,793	S	*	12/2009	Weil	.....	D26/28
D620,157	S	*	7/2010	Frenzel et al.	.....	D26/28
D634,677	S		3/2011	Futschik et al.		
D635,059	S		3/2011	Futschik et al.		

\* cited by examiner

*Primary Examiner* — Marcus Jackson

(74) *Attorney, Agent, or Firm* — Crowell & Moring LLP

(57) **CLAIM**

The ornamental design for a taillight for a vehicle, as shown and described.

**DESCRIPTION**

FIG. 1 is a perspective view of a first embodiment of a taillight for a vehicle according to our design;

FIG. 2 is a front view thereof;

FIG. 3 is a side view thereof; and

FIG. 4 is a top view thereof.

FIG. 5 is a perspective view of a second embodiment of the taillight for a vehicle according to our design, with the taillight for a vehicle for the opposite side of the vehicle being depicted in the first embodiment;

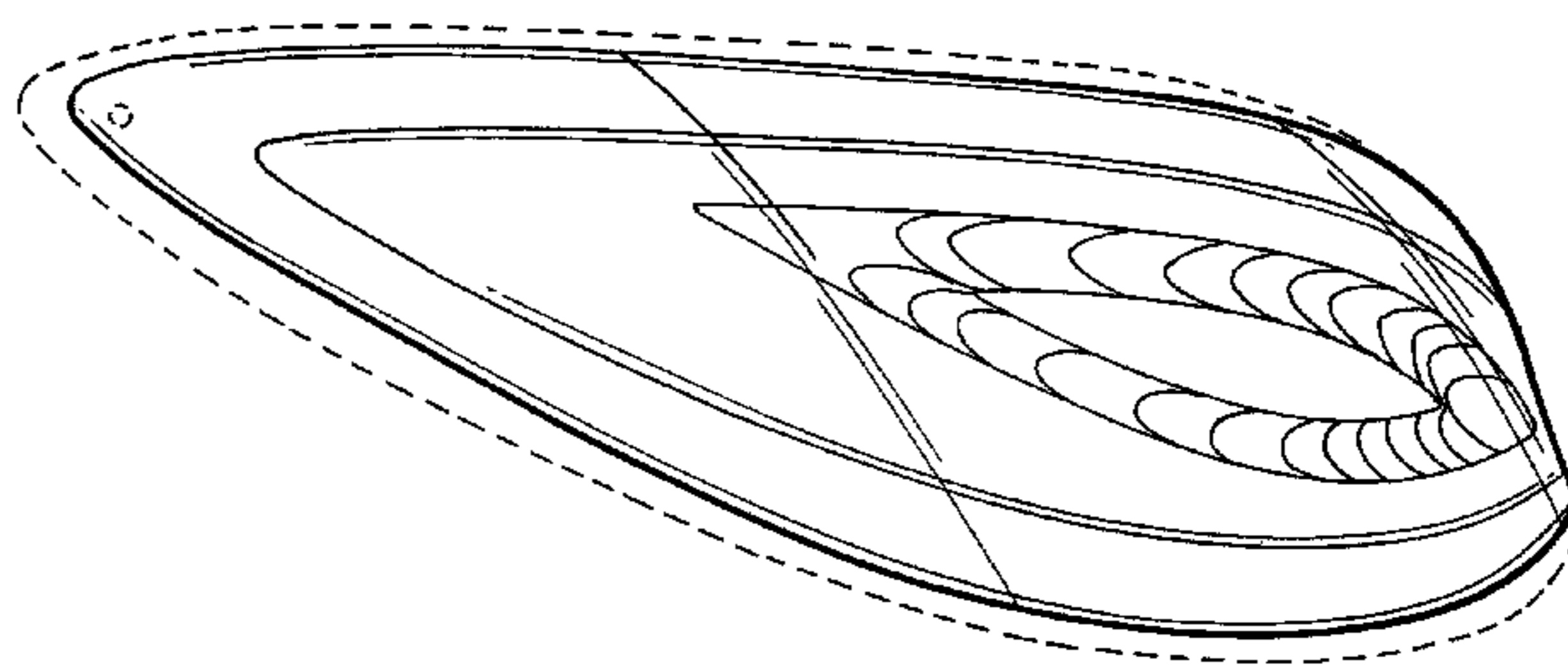
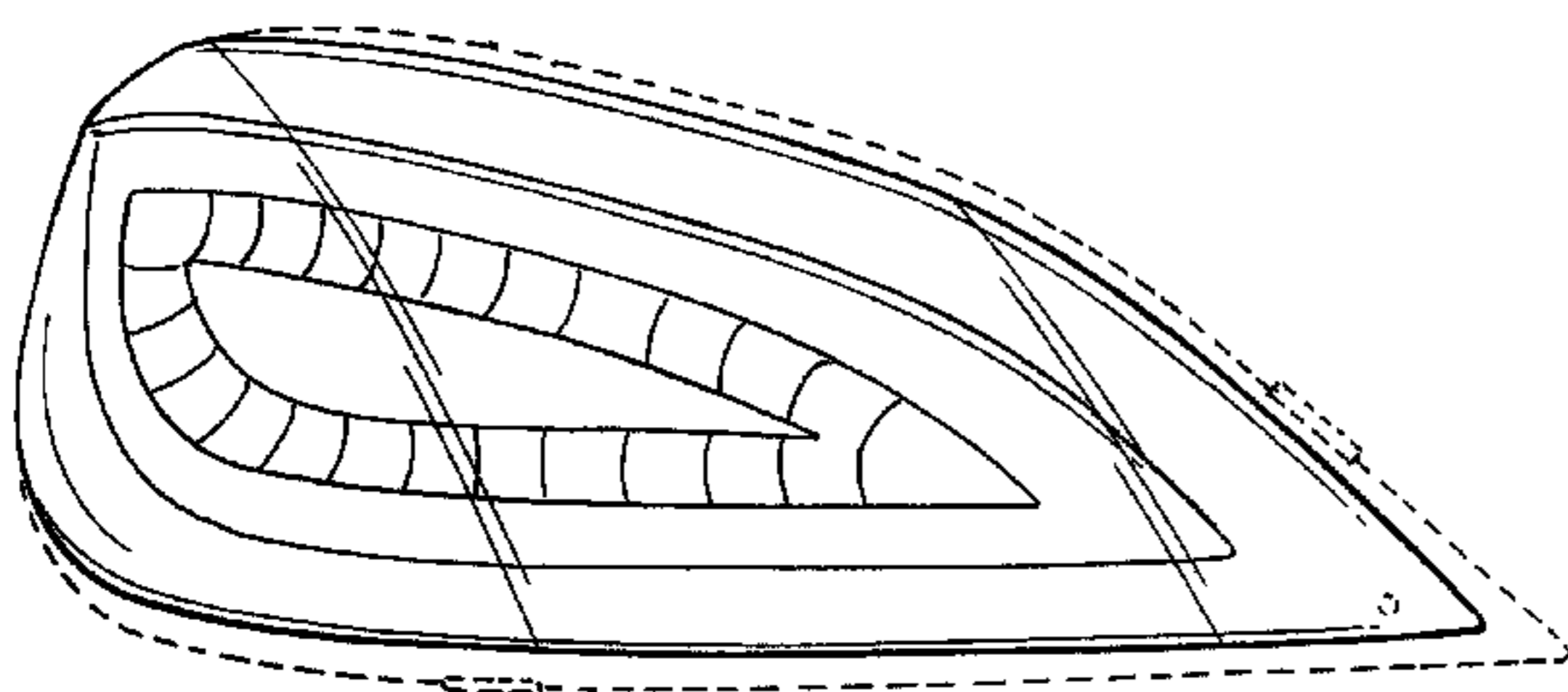
FIG. 6 is a front view thereof;

FIG. 7 is a side view thereof; and,

FIG. 8 is a top view thereof.

The broken lines are for illustrative purposes only and form no part of the claimed design.

**1 Claim, 6 Drawing Sheets**



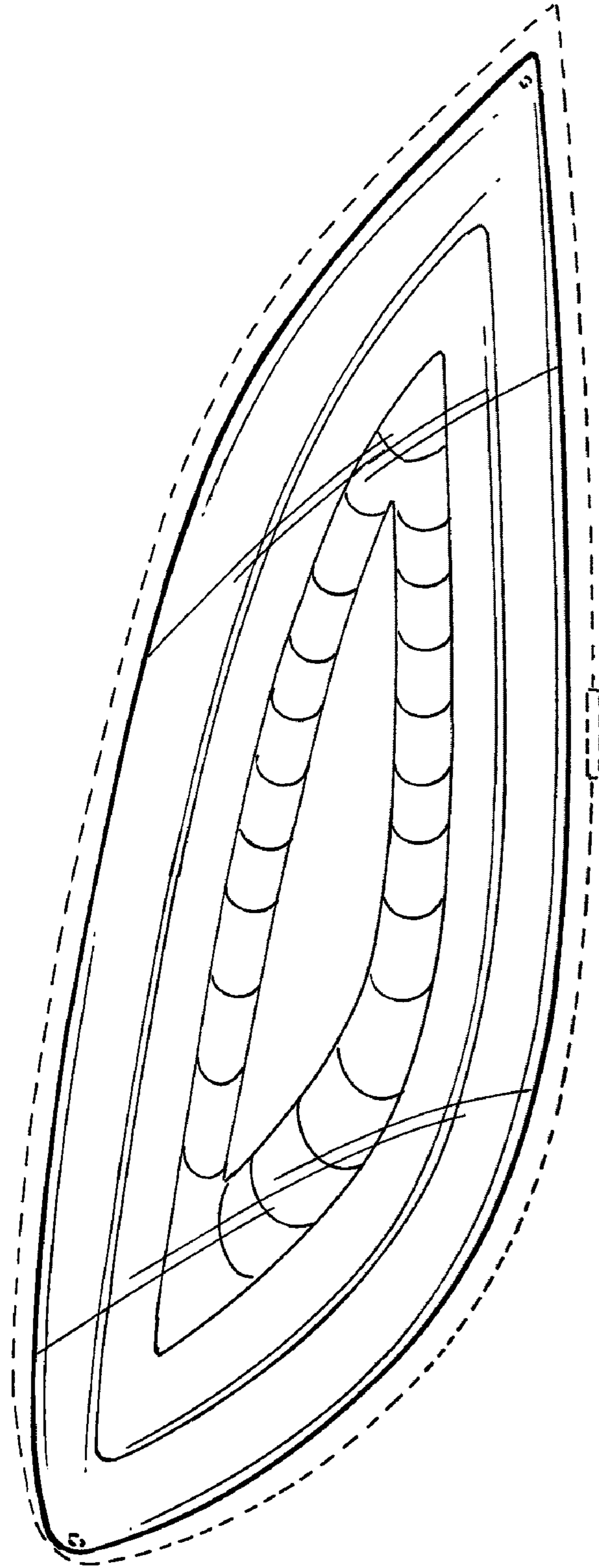


FIG. 1

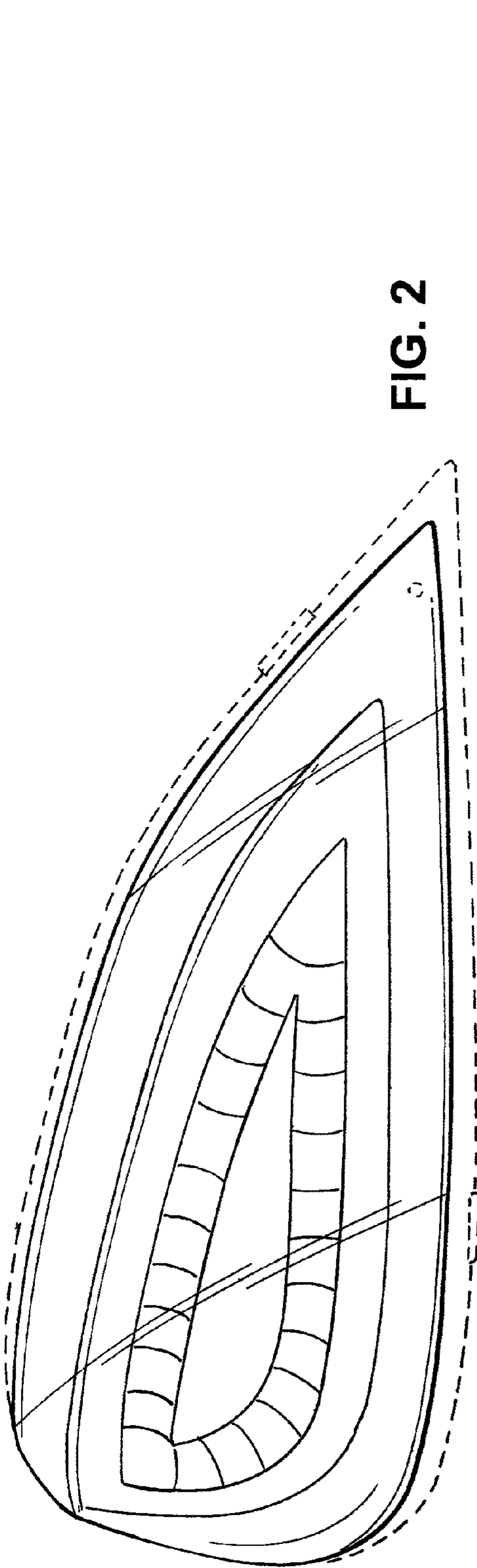


FIG. 2

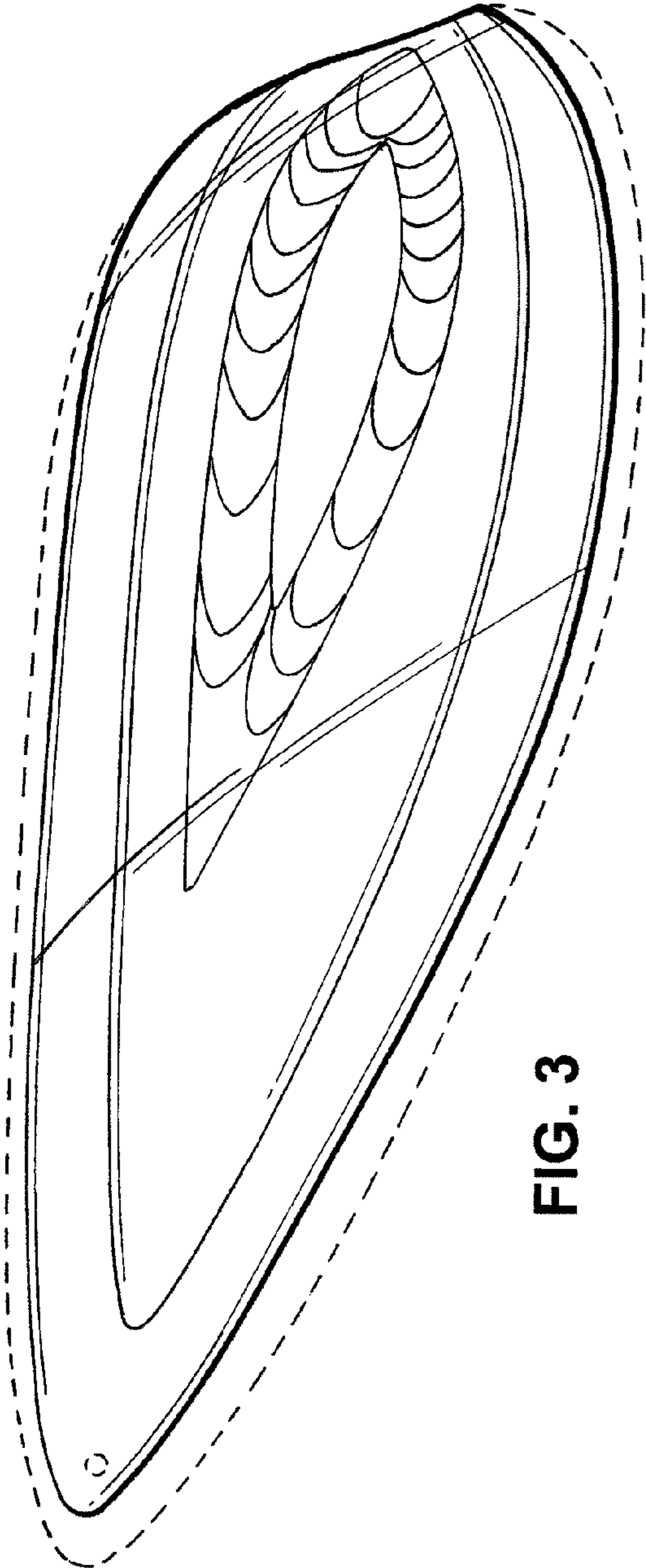


FIG. 3

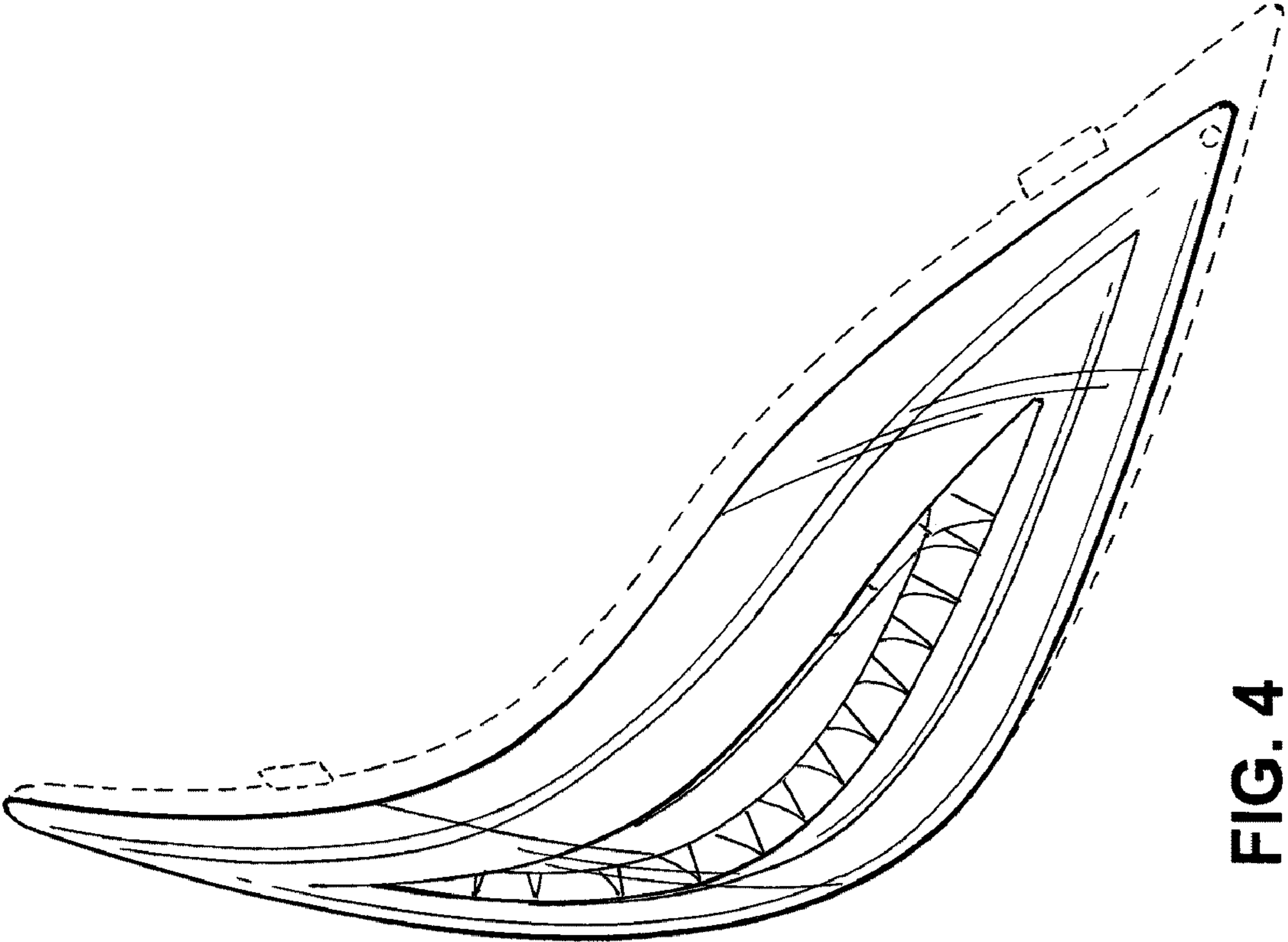


FIG. 4



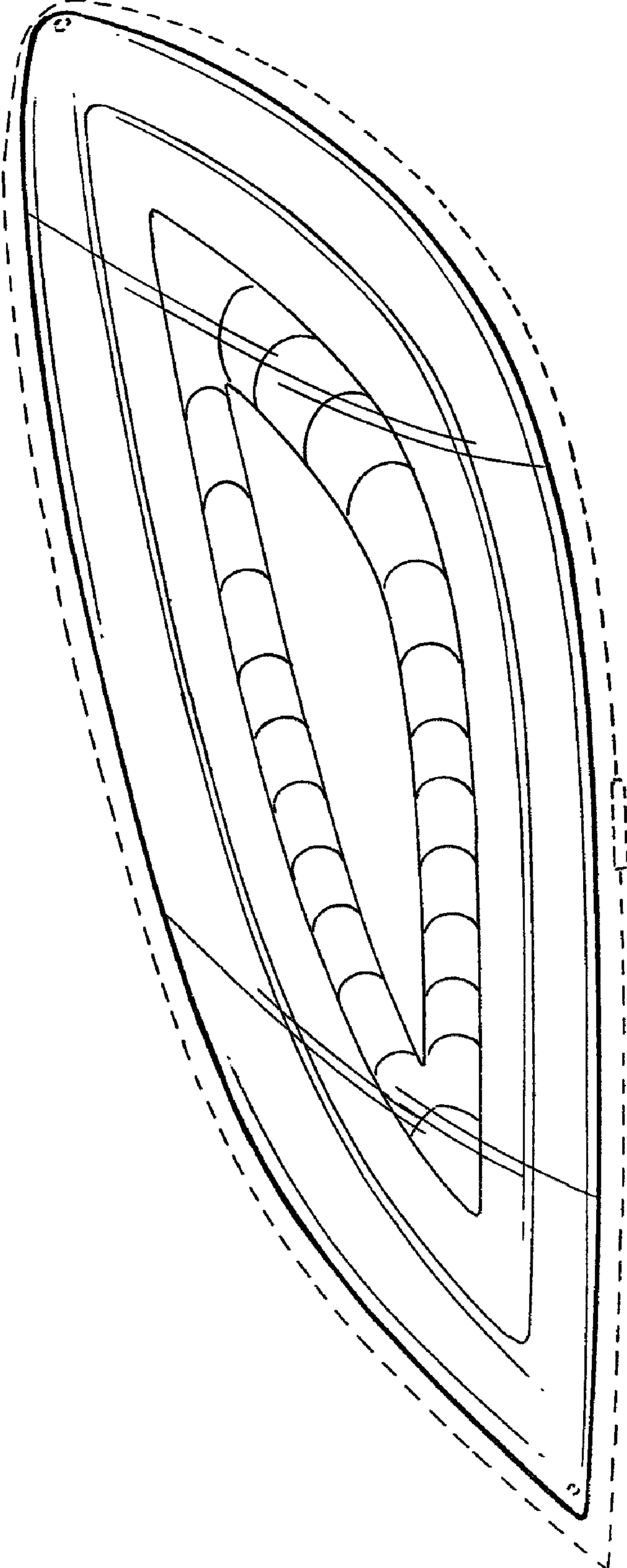


FIG. 5

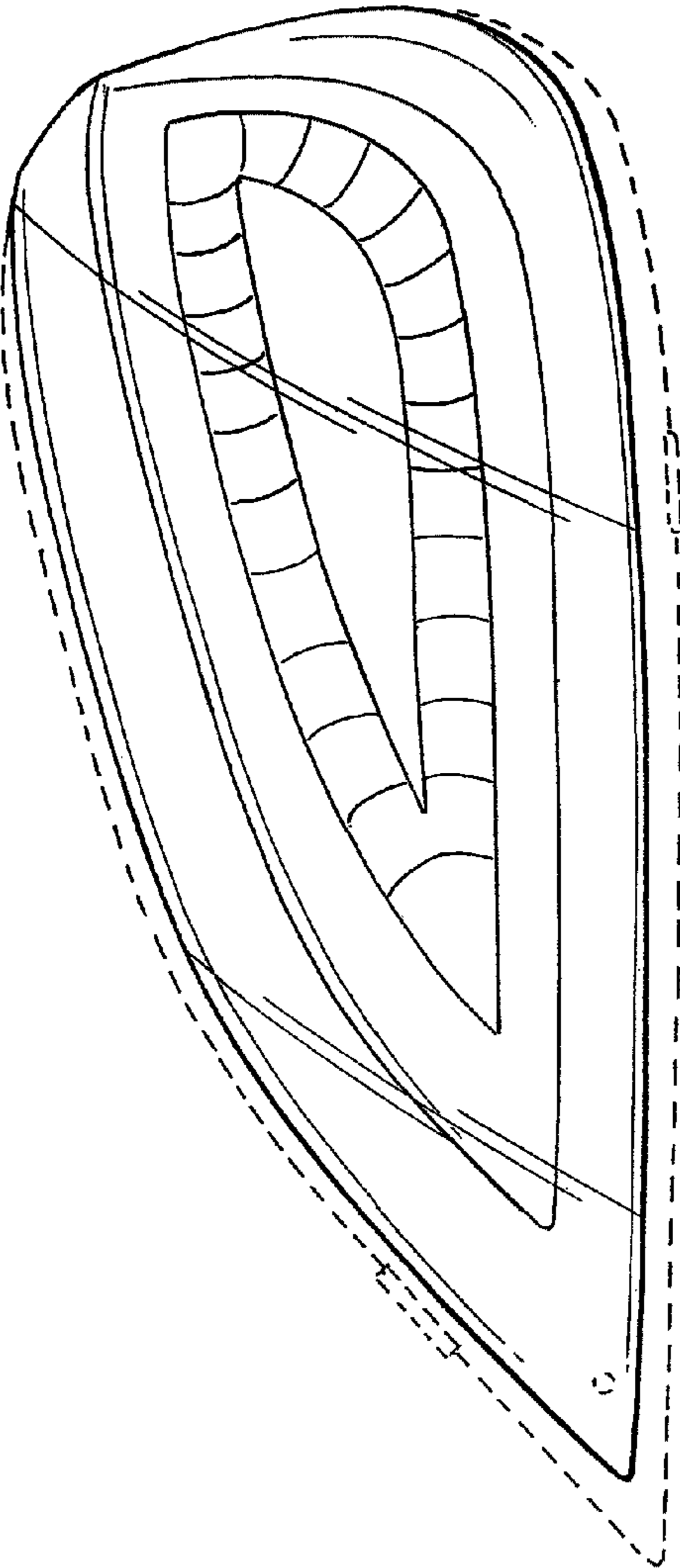


FIG. 6

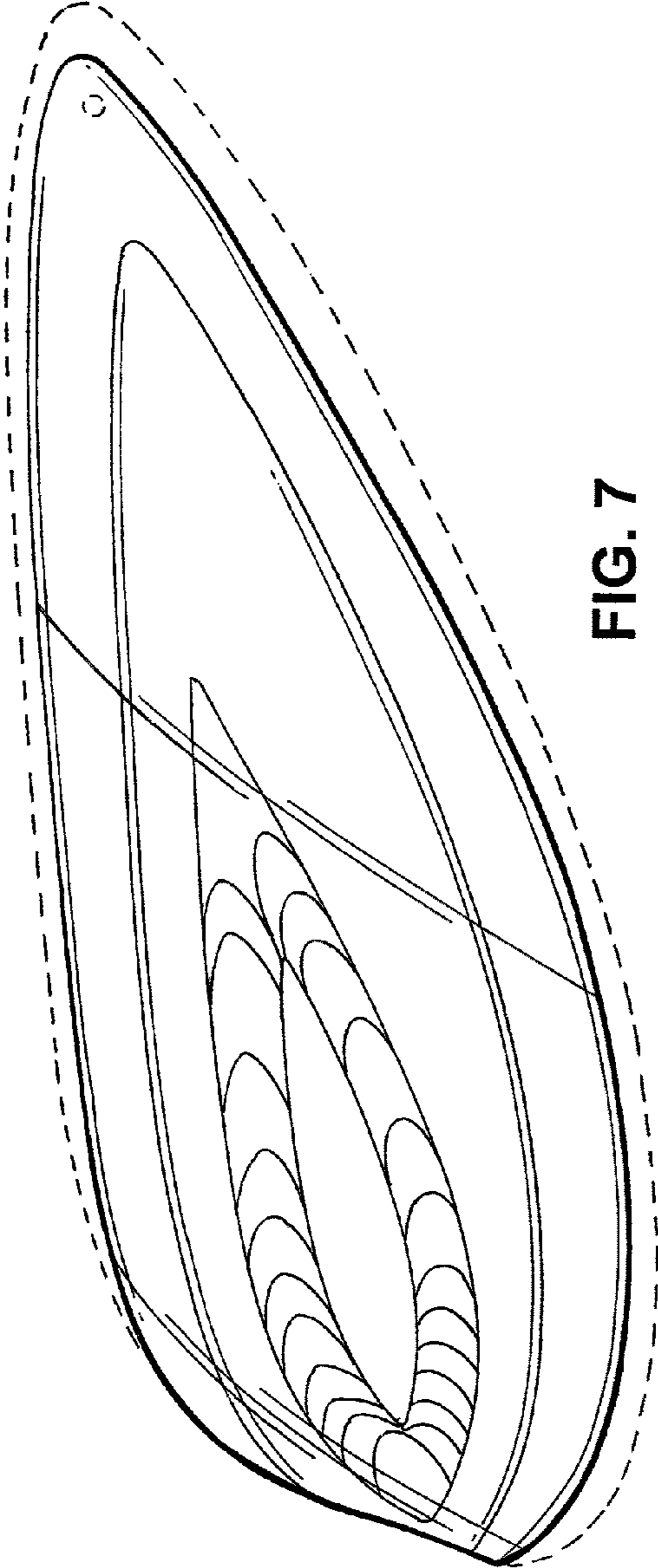


FIG. 7

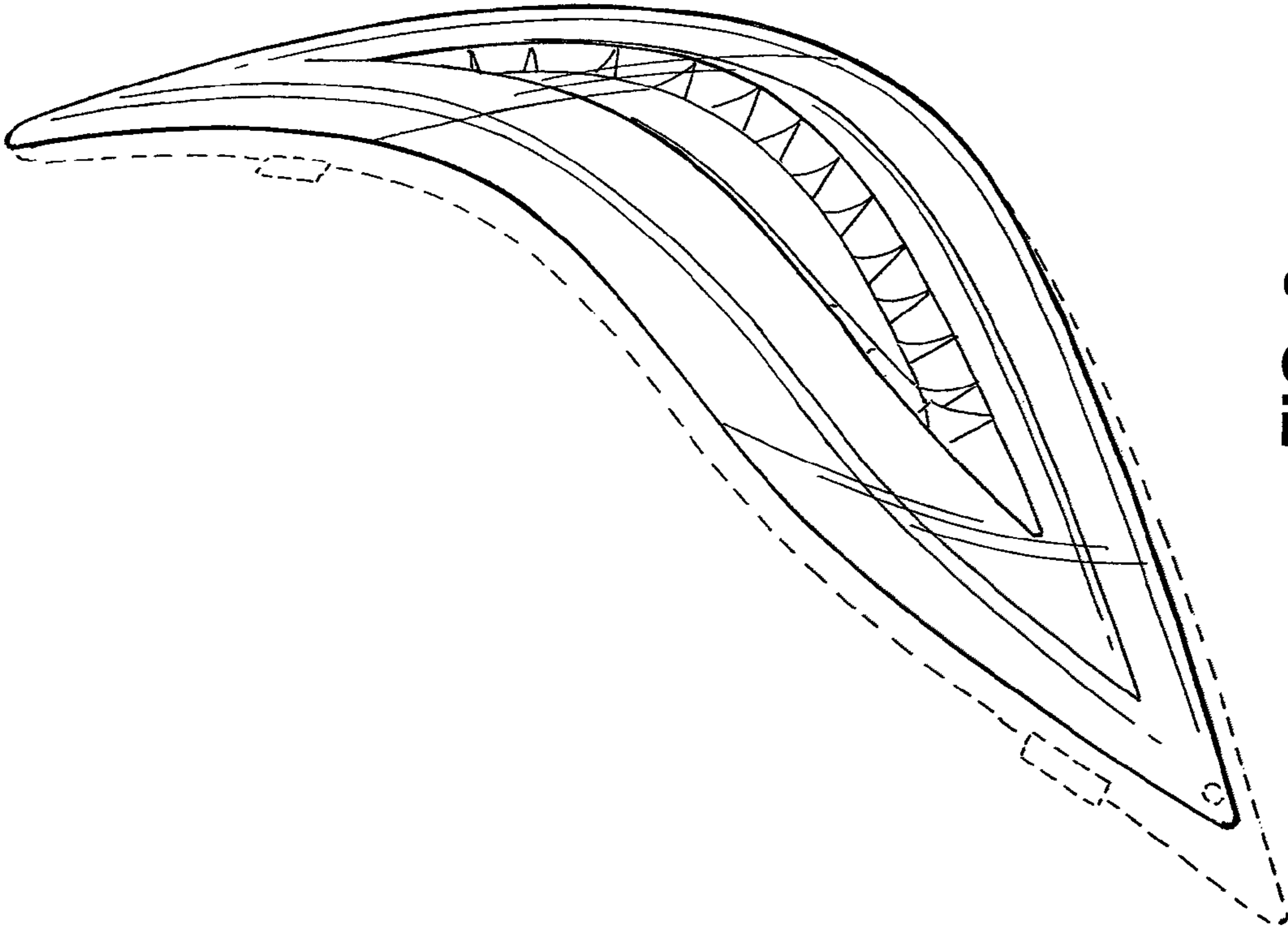


FIG. 8