



US00D650097S

(12) **United States Design Patent**  
**Trumble et al.**

(10) **Patent No.:** **US D650,097 S**  
(45) **Date of Patent:** **\*\* Dec. 6, 2011**

(54) **SCREW-IN LED BULB**  
(75) Inventors: **James B. Trumble**, Royal Oak, MI (US); **Craig Mackiewicz**, Clawson, MI (US)

7,521,872 B2 4/2009 Bruning  
D634,452 S \* 3/2011 de Visser ..... D26/2  
2007/0285926 A1 12/2007 Maxik  
2009/0046473 A1 2/2009 Tsai et al.  
\* cited by examiner

(73) Assignee: **Altair Engineering, Inc.**, Troy, MI (US)

*Primary Examiner* — Marcus Jackson  
(74) *Attorney, Agent, or Firm* — Young Basile

(\*\*) Term: **14 Years**

(57) **CLAIM**  
The ornamental design for a screw-in LED bulb, as shown and described.

(21) Appl. No.: **29/335,846**

(22) Filed: **Apr. 23, 2009**

**DESCRIPTION**

(51) **LOC (9) Cl.** ..... **26-04**  
(52) **U.S. Cl.** ..... **D26/2**  
(58) **Field of Classification Search** ..... D26/1-4;  
313/313, 315, 316, 317, 318, 493; 315/52,  
315/53, 56, 57, 58  
See application file for complete search history.

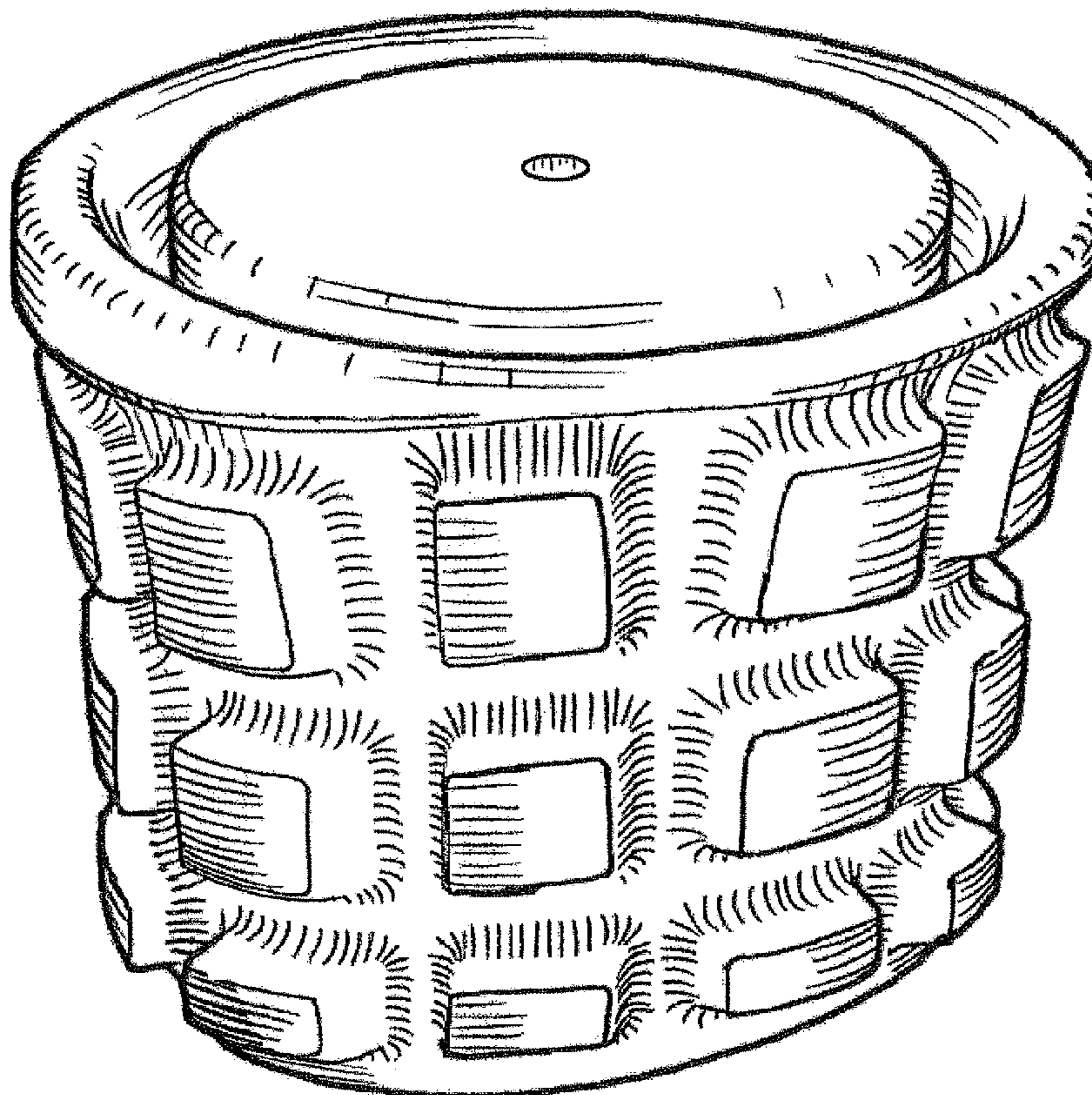
FIG. 1 is a perspective view of an embodiment the screw-in LED bulb showing our new design;  
FIG. 2 is a front elevation view of the screw-in LED bulb of FIG. 1;  
FIG. 3 is a rear elevation view of the screw-in LED bulb of FIG. 1;  
FIG. 4 is a right side elevation view of the screw-in LED bulb of FIG. 1;  
FIG. 5 is a left side elevation view of the screw-in LED bulb of FIG. 1;  
FIG. 6 is a top plan view of the screw-in LED bulb of FIG. 1;  
and,  
FIG. 7 is a bottom plan view of the screw-in LED bulb of FIG. 1.

(56) **References Cited**

**U.S. PATENT DOCUMENTS**

5,850,126 A 12/1998 Kanbar  
D437,947 S \* 2/2001 Huang ..... D26/4  
6,227,679 B1 5/2001 Zhang et al.  
6,598,996 B1 7/2003 Lodhie  
D553,267 S 10/2007 Yuen  
7,396,146 B2 7/2008 Wang  
D581,556 S 11/2008 To et al.

**1 Claim, 7 Drawing Sheets**



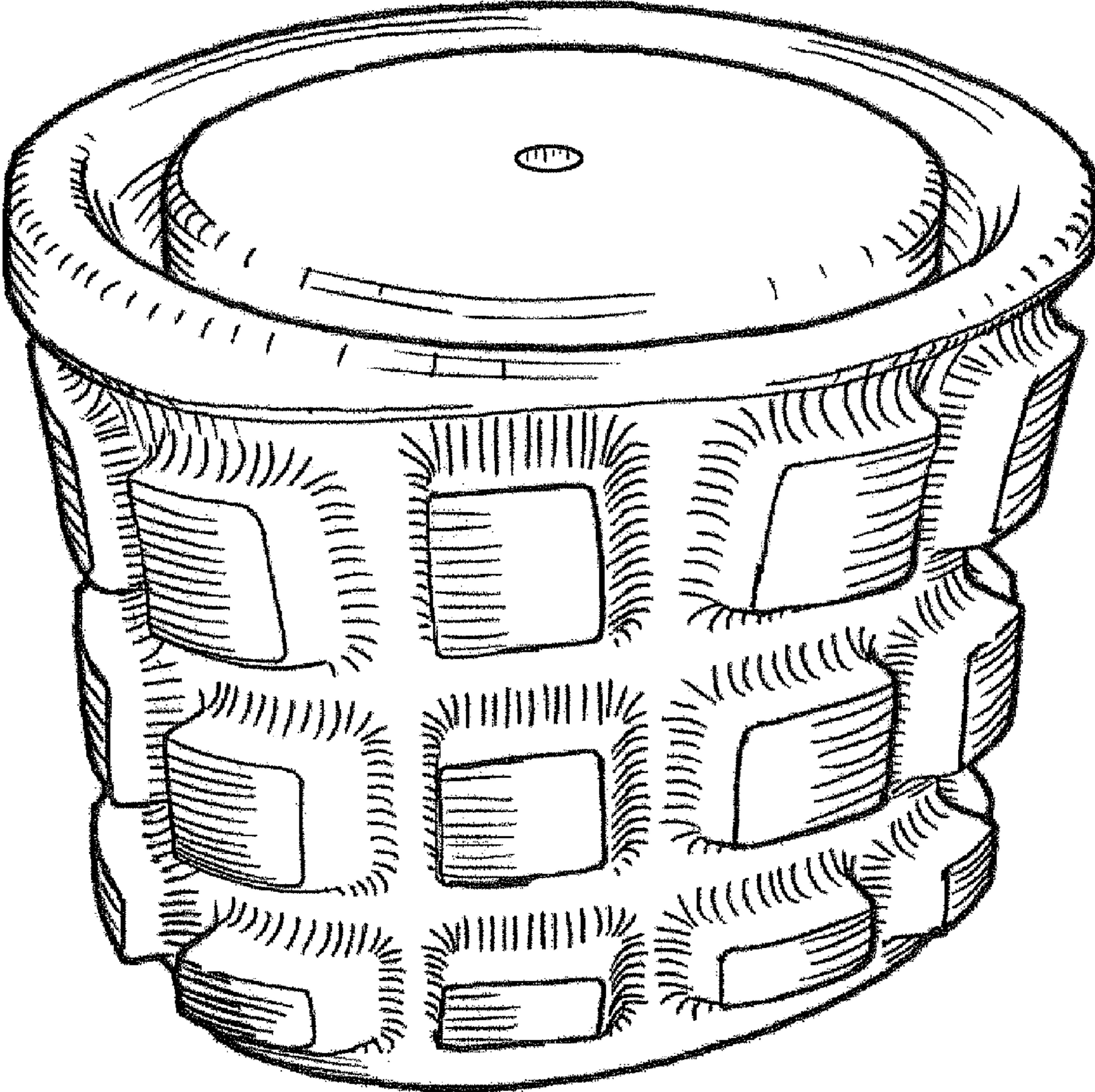


FIG. 1

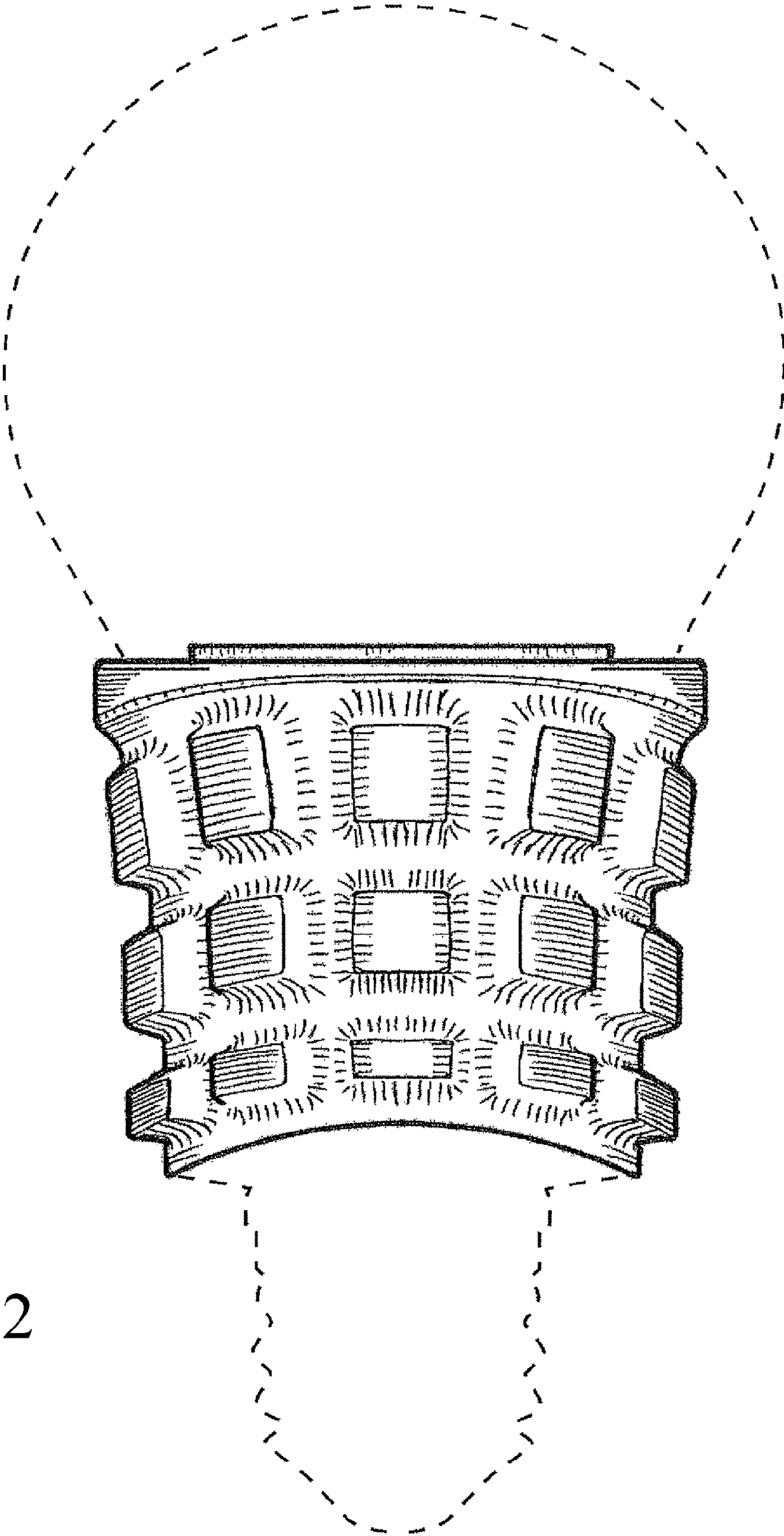


FIG. 2

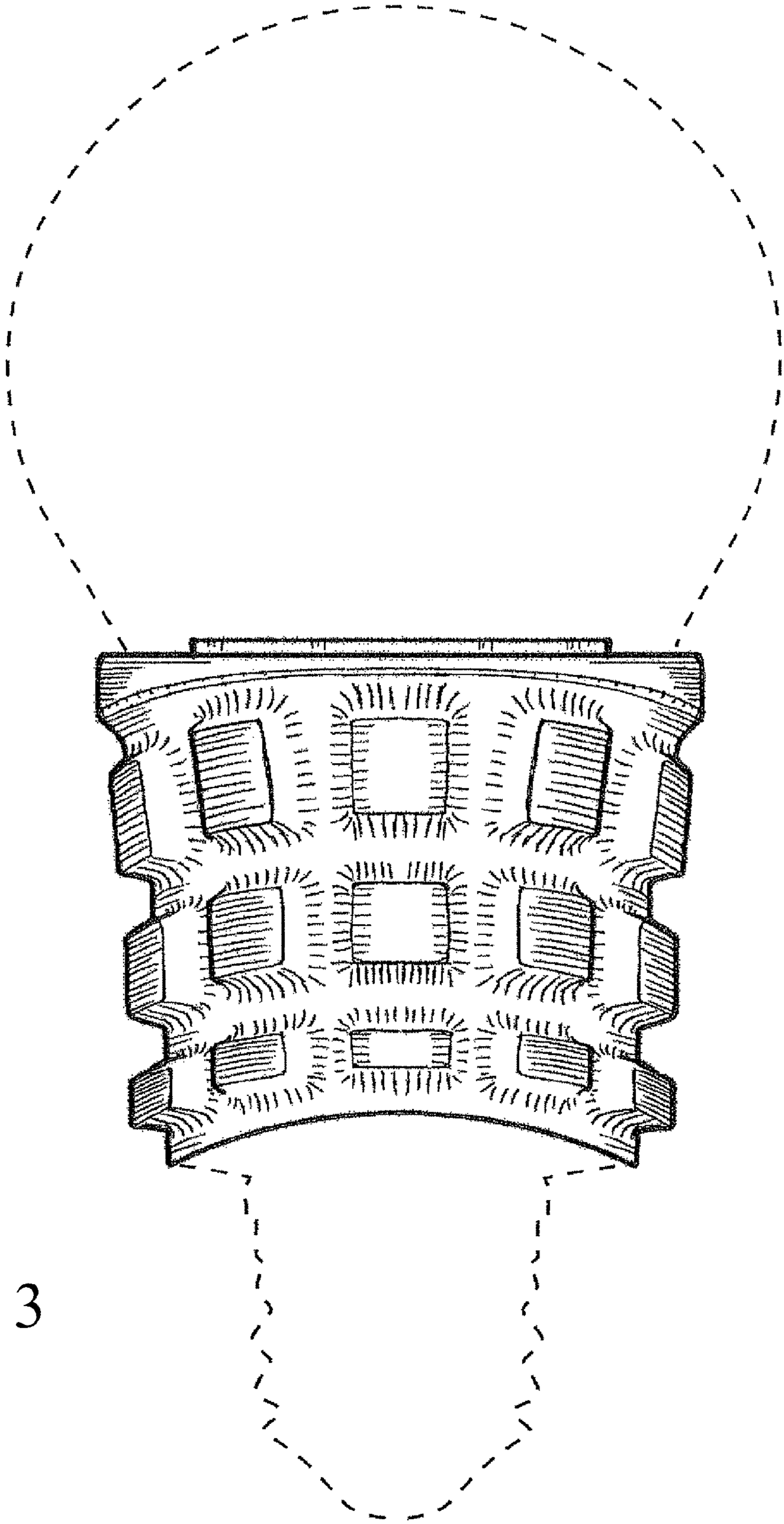


FIG. 3

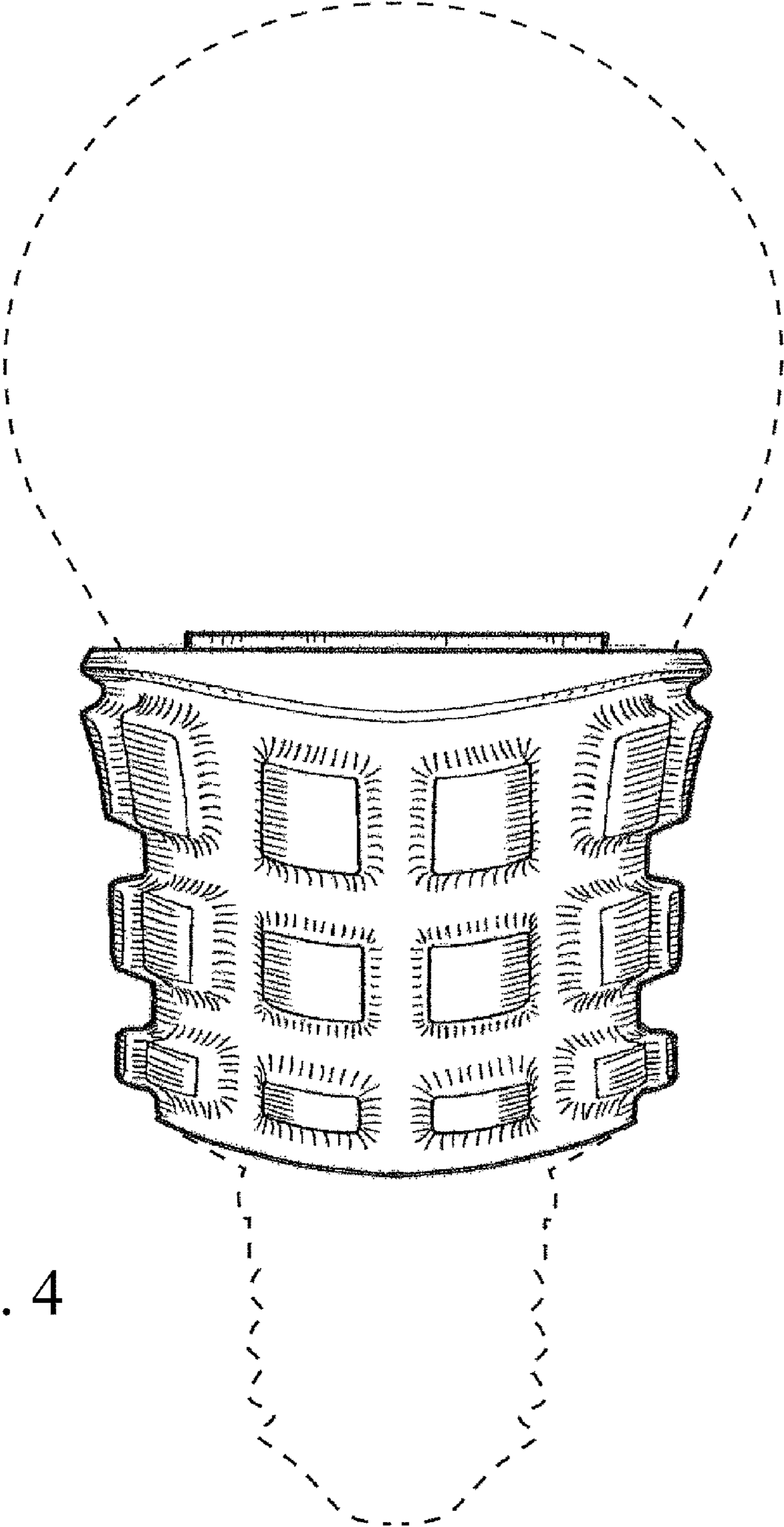


FIG. 4

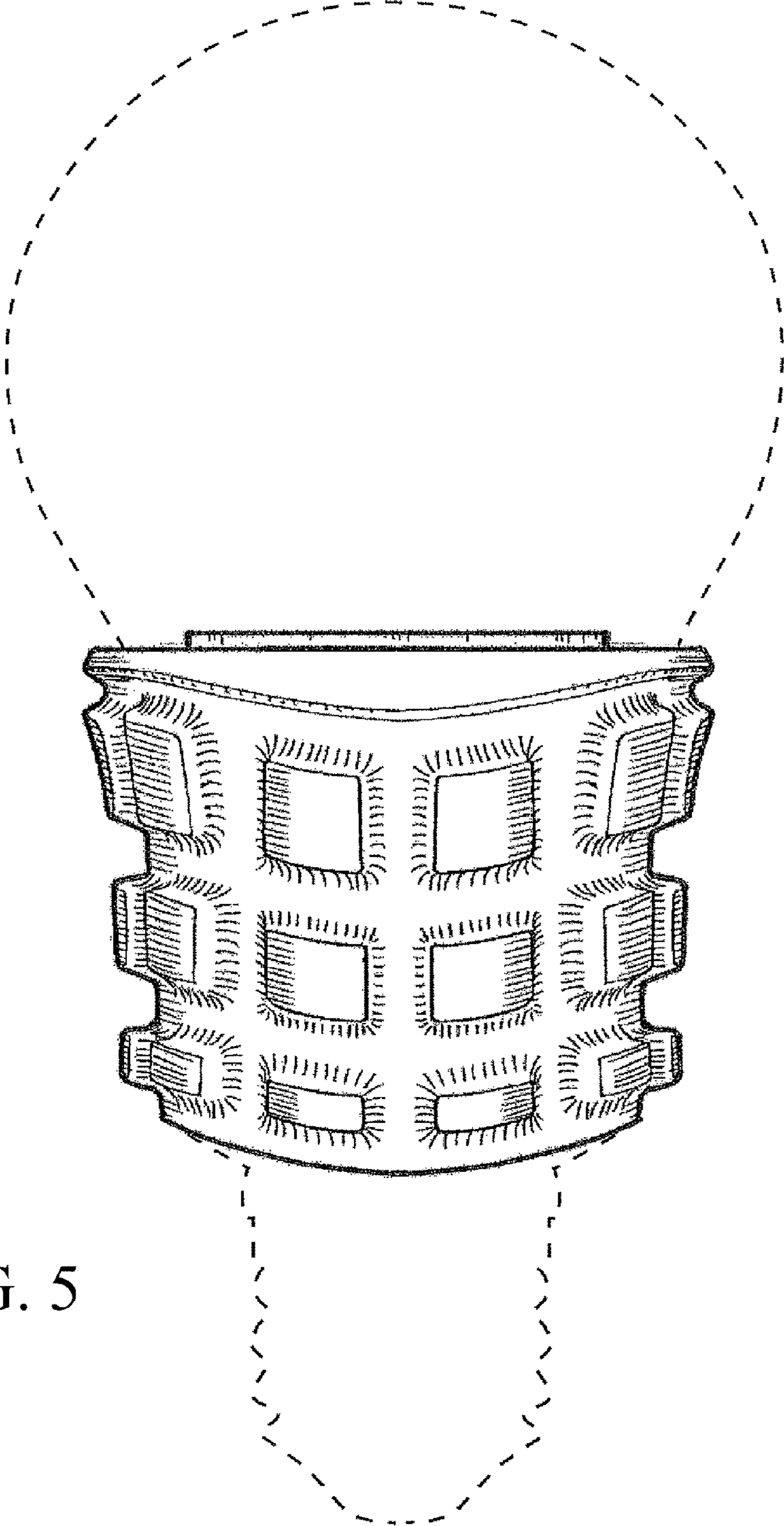


FIG. 5

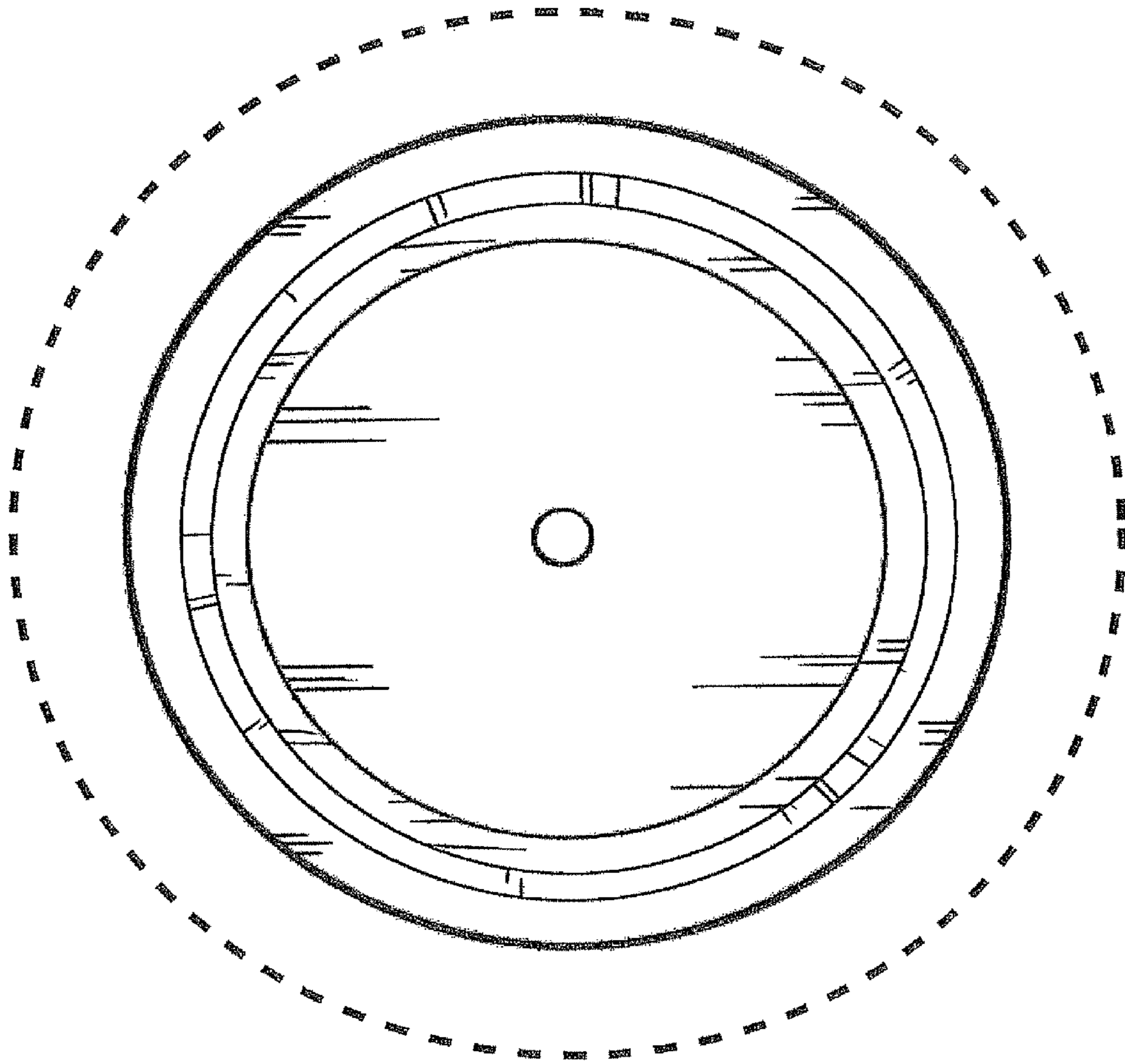


FIG. 6

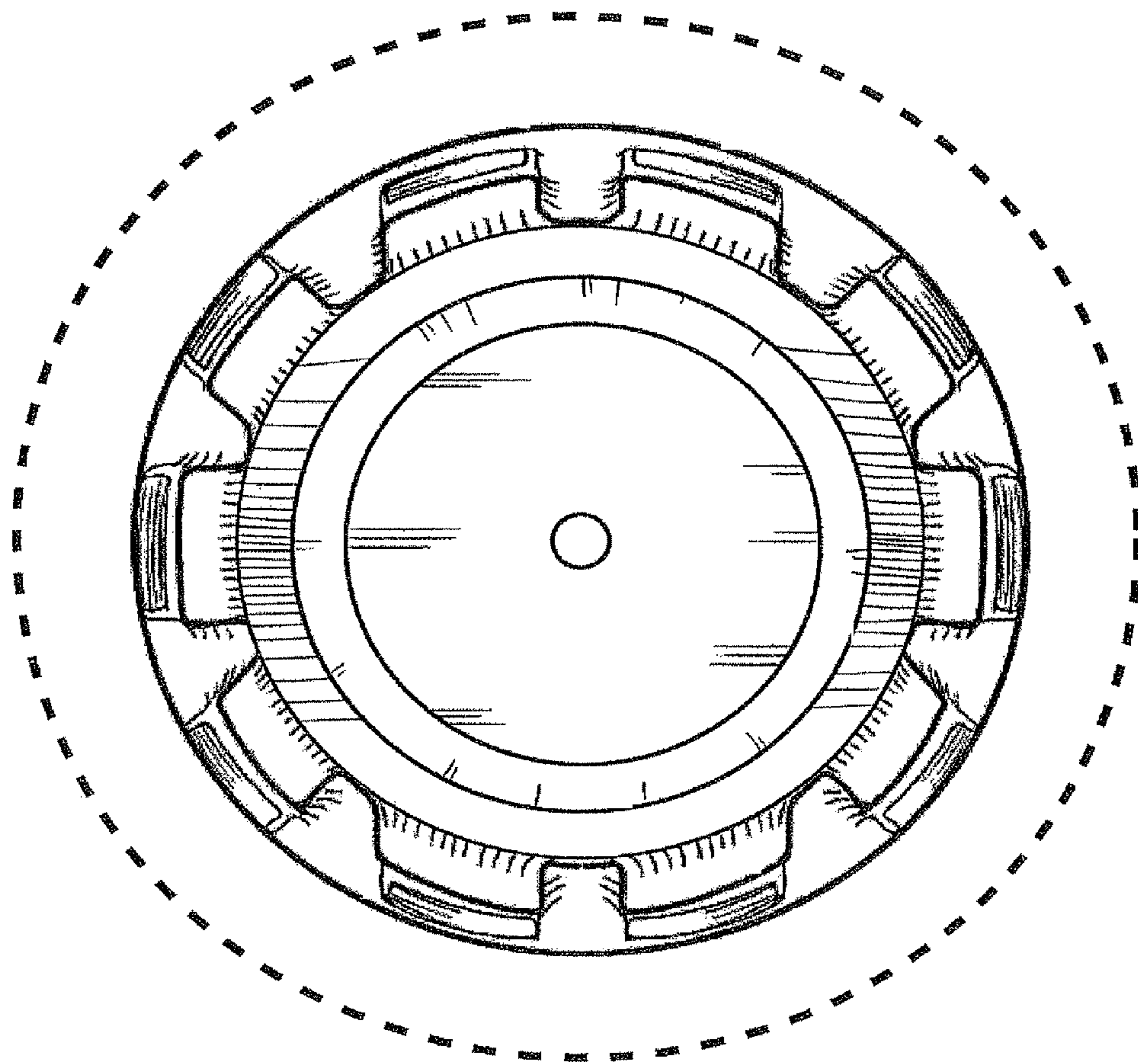


FIG. 7