



US00D650096S

(12) **United States Design Patent**  
**Suzuki**

(10) **Patent No.:** **US D650,096 S**

(45) **Date of Patent:** **\*\* Dec. 6, 2011**

(54) **ROOF TILE**

(76) Inventor: **Yoshihiro Suzuki**, Corona, CA (US)

(\*\*) Term: **14 Years**

(21) Appl. No.: **29/369,370**

(22) Filed: **Sep. 7, 2010**

(51) **LOC (9) Cl.** ..... **25-01**

(52) **U.S. Cl.** ..... **D25/140**

(58) **Field of Classification Search** ..... D25/139,  
D25/143, 144, 140; 52/518, 519, 314, 554,  
52/555, 560, 528, 311.2, 529, 536  
See application file for complete search history.

(56) **References Cited**

**U.S. PATENT DOCUMENTS**

2,037,297	A *	4/1936	Yeager	.....	428/174
D218,540	S *	8/1970	Powel et al.	.....	D25/140
4,084,365	A *	4/1978	Read	.....	52/529
D256,277	S *	8/1980	Warden	.....	D25/140
D402,064	S	12/1998	Hahn		

D467,671	S *	12/2002	Suzuki	.....	D25/140
D574,973	S *	8/2008	Simmons	.....	D25/140
D603,070	S *	10/2009	Day	.....	D25/140

\* cited by examiner

*Primary Examiner* — Doris Clark

(74) *Attorney, Agent, or Firm* — Christie, Parker & Hale, LLP

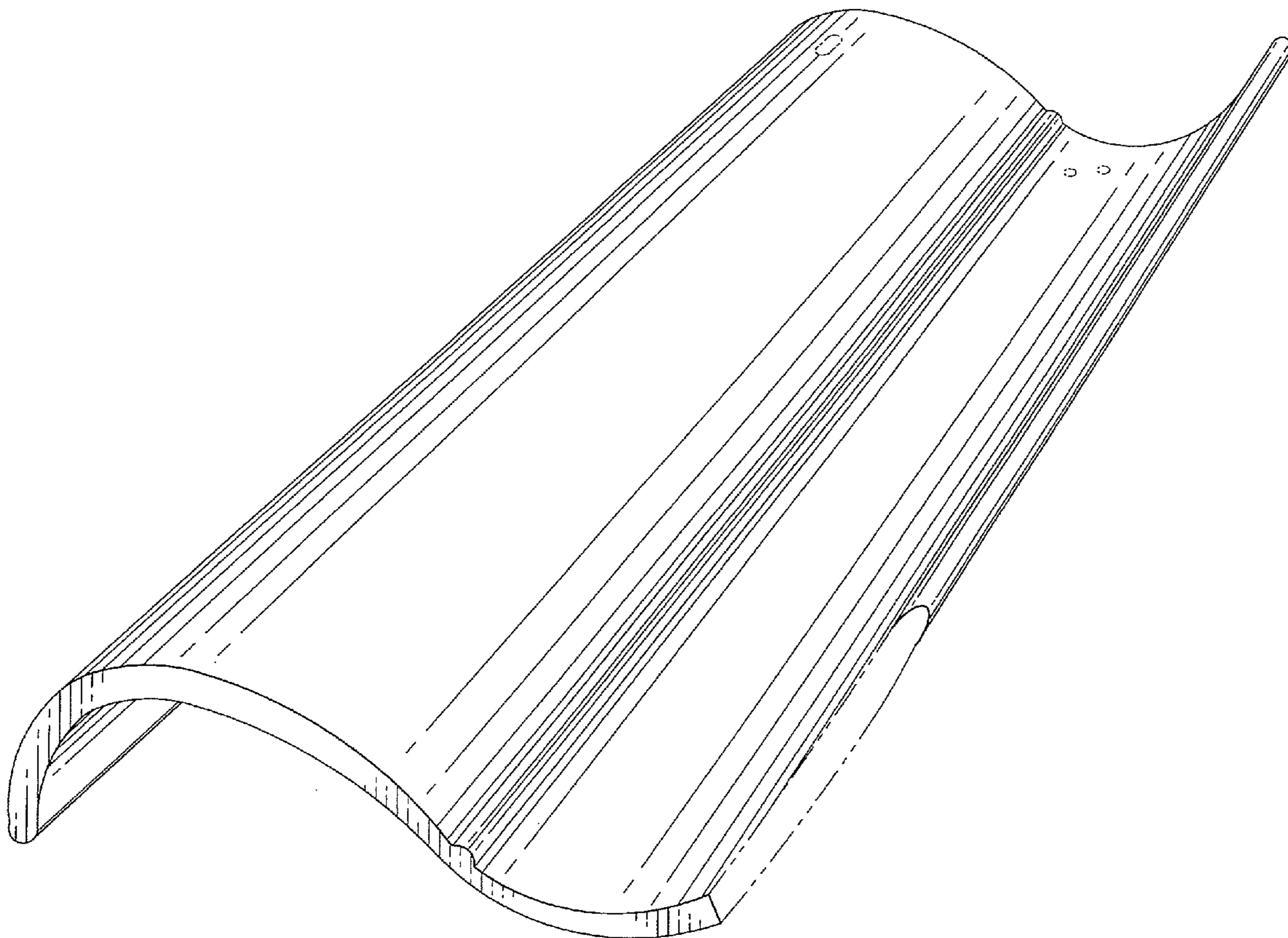
(57) **CLAIM**

The ornamental design for roof tile, as shown and described.

**DESCRIPTION**

FIG. 1 is a perspective view showing my new design;  
FIG. 2 is a top view of my new design;  
FIG. 3 is a front end view of my new design;  
FIG. 4 is a rear end view of my new design;  
FIG. 5 is a side end view of my new design;  
FIG. 6 is a side end view of my new design opposite the side end view shown in FIG. 5; and,  
FIG. 7 is a bottom view of my new design.  
The broken lines are for illustrative purposes only and form no part of the claimed design.

**1 Claim, 5 Drawing Sheets**



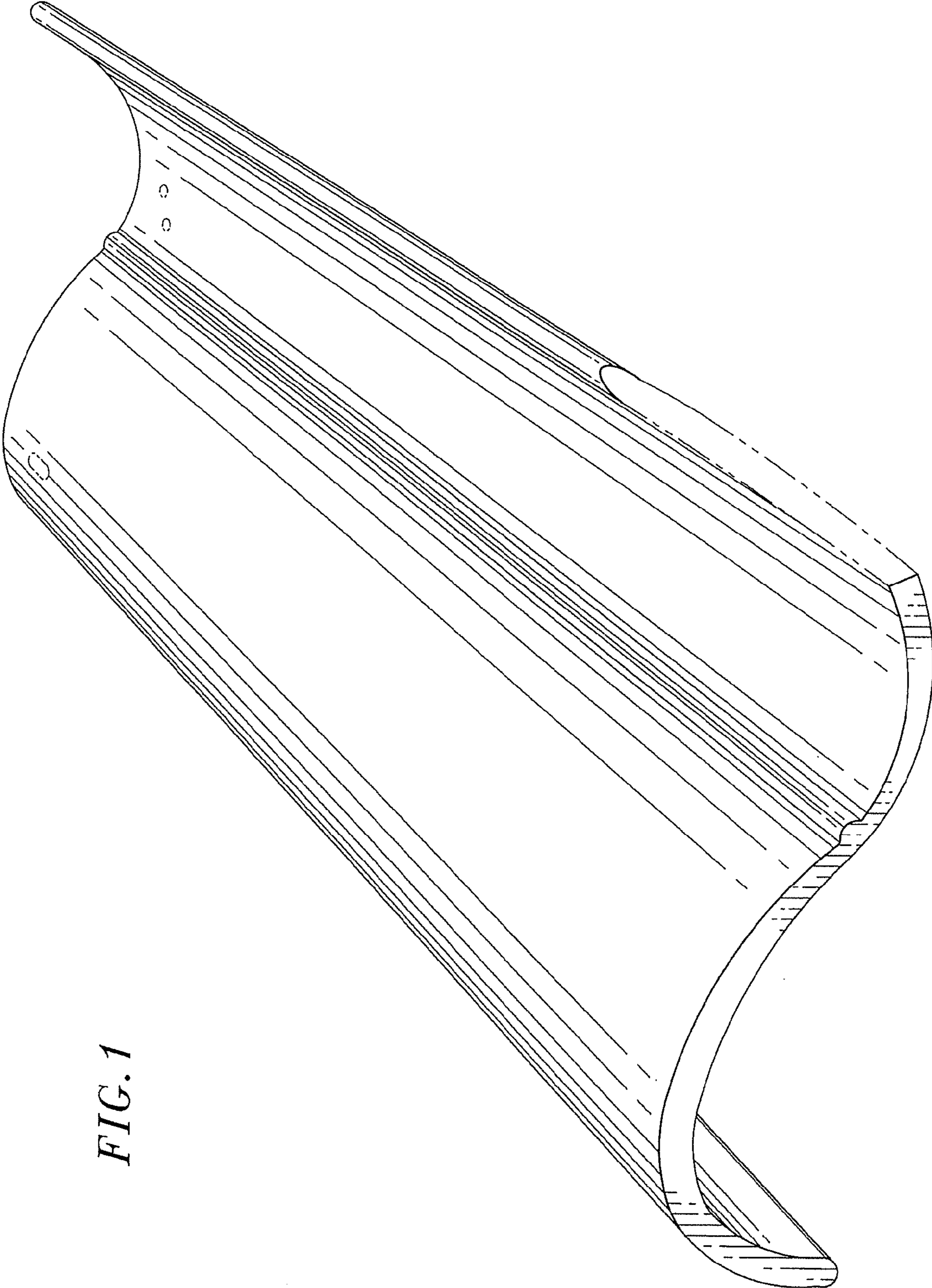
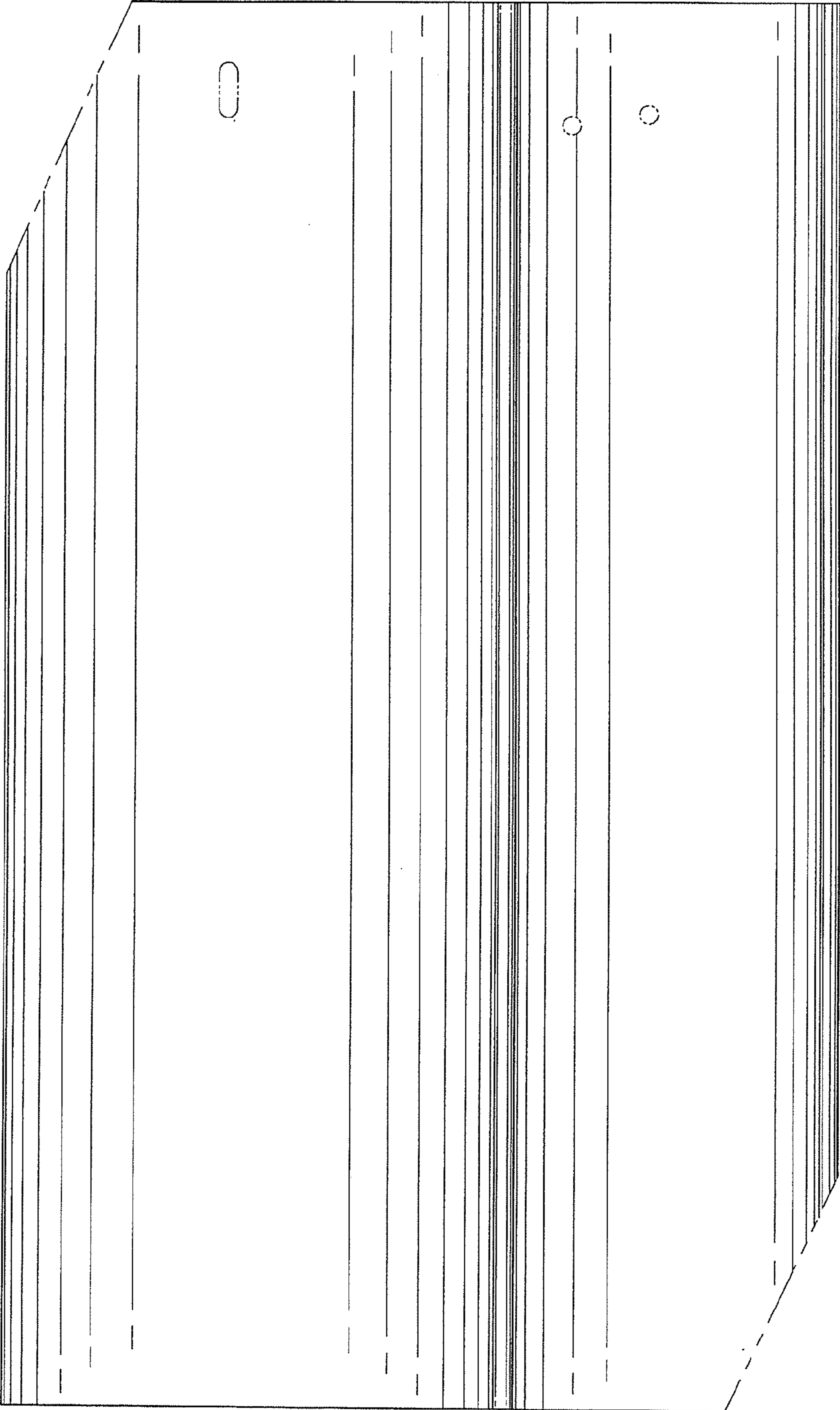
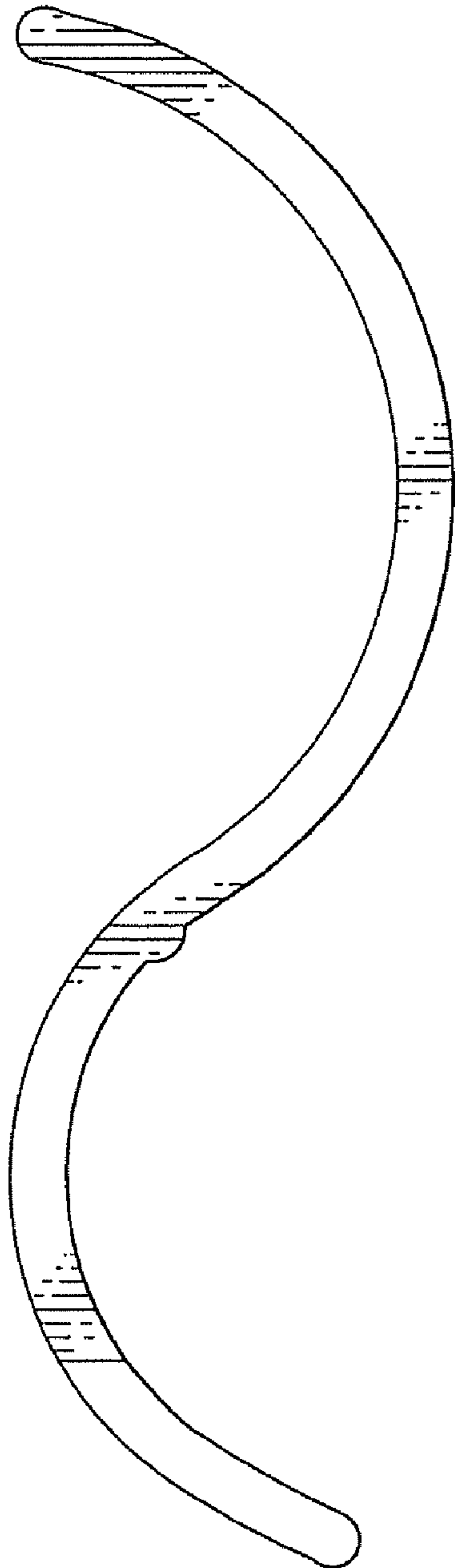


FIG. 1

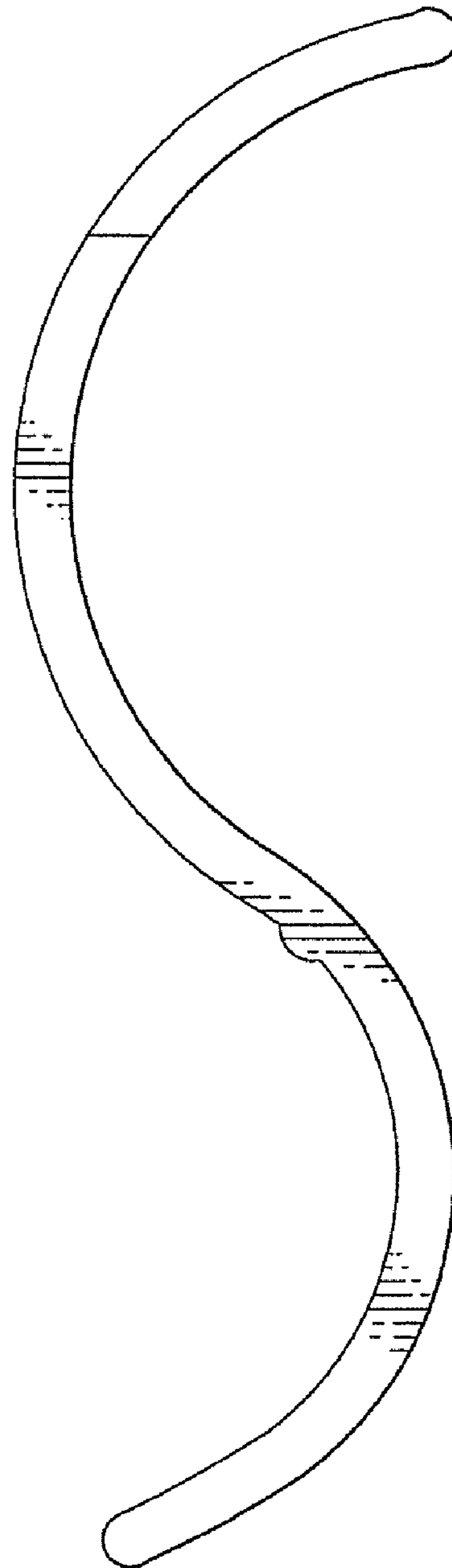
FIG. 2



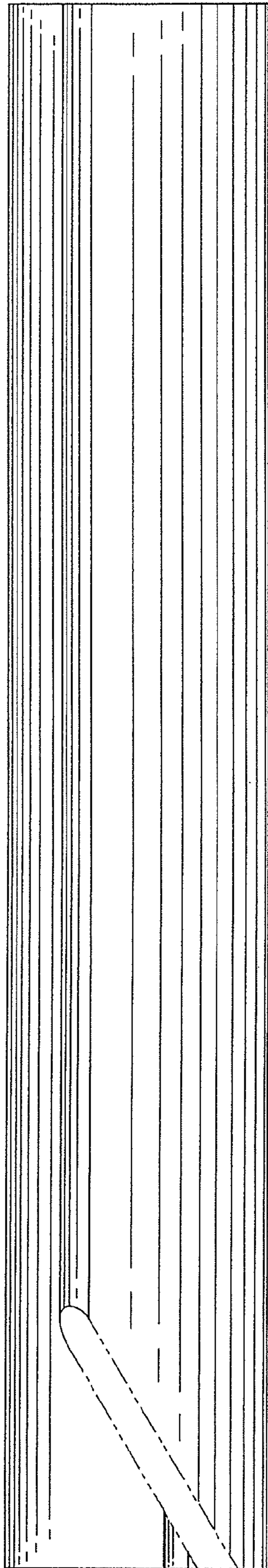
*FIG. 3*



*FIG. 4*



*FIG. 5*



*FIG. 6*

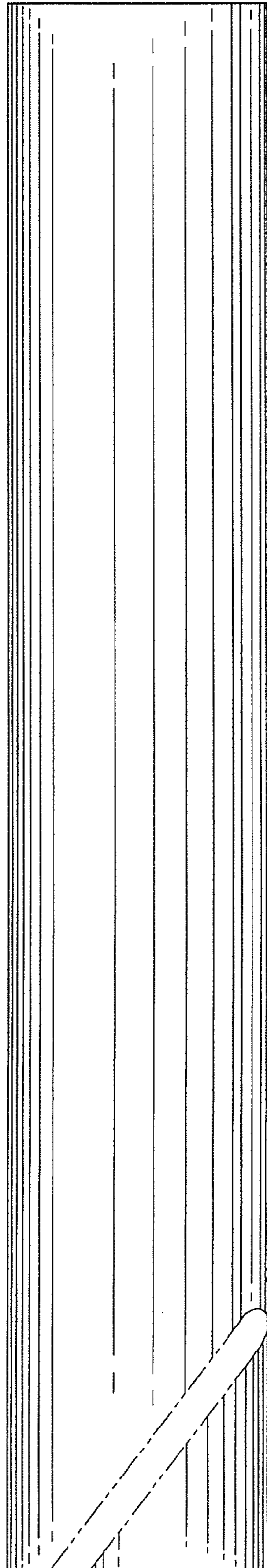


FIG. 7

