



US00D650090S

(12) **United States Design Patent**  
**Odeh**

(10) **Patent No.:** **US D650,090 S**

(45) **Date of Patent:** **\*\* Dec. 6, 2011**

(54) **MICROFLUIDIC DEVICE**

(76) Inventor: **Zach Odeh**, Streetsboro, OH (US)

(\*\*) Term: **14 Years**

(21) Appl. No.: **29/383,450**

(22) Filed: **Jan. 18, 2011**

(51) **LOC (9) Cl.** ..... **24-01**

(52) **U.S. Cl.** ..... **D24/225**

(58) **Field of Classification Search** ..... D24/216–232,  
D24/186; D10/81; 422/500, 502, 503, 554;  
435/287.1, 288.1, 288.2, 288.4, 287.9, 288.3;  
359/396, 397, 398

See application file for complete search history.

(56) **References Cited**

U.S. PATENT DOCUMENTS

D250,044	S	*	10/1978	Mueller	.....	D24/216
5,217,627	A	*	6/1993	Pall et al.	.....	422/547
D371,749	S	*	7/1996	D’Orazio et al.	.....	D10/81
D495,805	S	*	9/2004	Lea et al.	.....	D24/223
7,332,130	B2	*	2/2008	Handique	.....	422/503
7,763,471	B2	*	7/2010	Pamula et al.	.....	422/68.1
7,820,427	B2	*	10/2010	Unger et al.	.....	422/504
2004/0101870	A1	*	5/2004	Caubet et al.	.....	435/287.2
2006/0078873	A1	*	4/2006	Ogawa et al.	.....	435/287.1

2008/0182301	A1	*	7/2008	Handique et al.	.....	435/287.2
2009/0053732	A1	*	2/2009	Vermesh et al.	.....	435/287.1
2009/0233330	A1	*	9/2009	Sachs et al.	.....	435/287.1
2010/0216126	A1	*	8/2010	Balachandran et al.	.....	435/6

\* cited by examiner

*Primary Examiner* — Anhdao Doan

(74) *Attorney, Agent, or Firm* — Bay State IP, LLC; Adam J. Bruno

(57) **CLAIM**

I claim the ornamental design for a microfluidic device, as shown and described.

**DESCRIPTION**

FIG. 1 is a front side perspective view showing my new design;

FIG. 2 is an enlarged perspective view of a portion of the microfluidic device within the area identified by broken circle “FIG. 2” in FIG. 1;

FIG. 3 is an enlarged perspective view of a portion of the microfluidic device within the area identified by broken circle “FIG. 3” in FIG. 1;

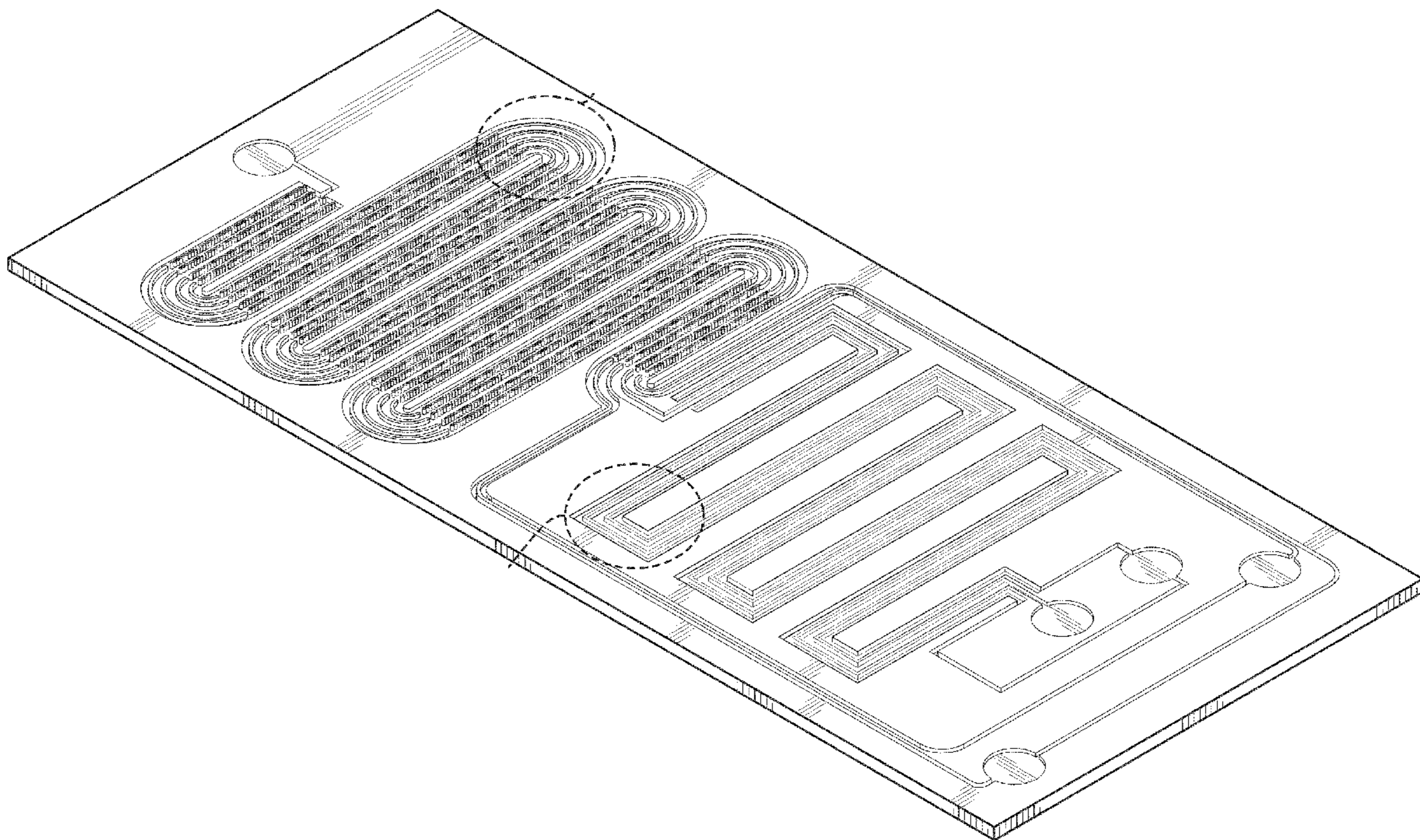
FIG. 4 is a top view thereof;

FIG. 5 is a bottom view thereof;

FIG. 6 is a side view thereof; and,

FIG. 7 is another side view thereof.

**1 Claim, 6 Drawing Sheets**



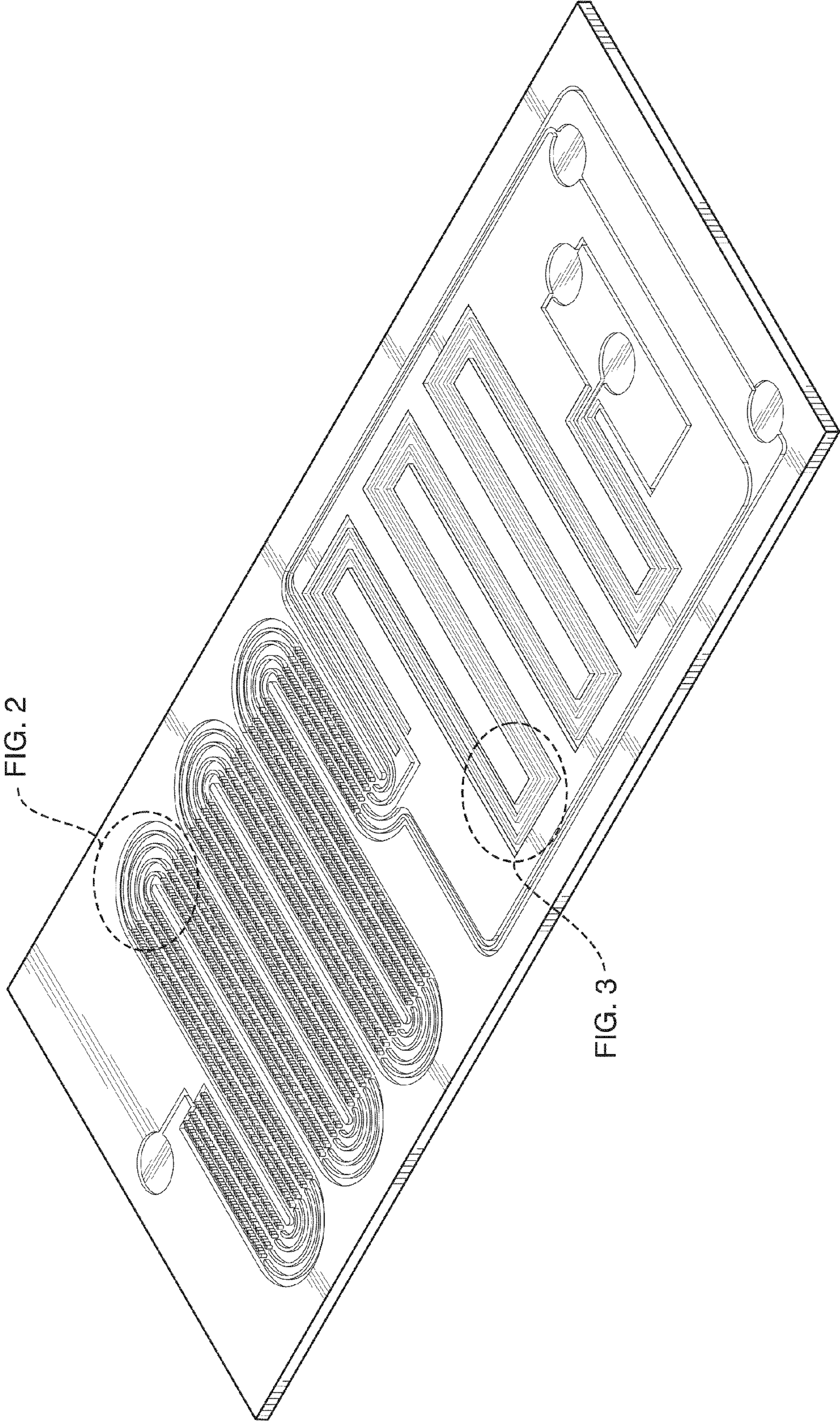


FIG. 2

FIG. 3

FIG. 1

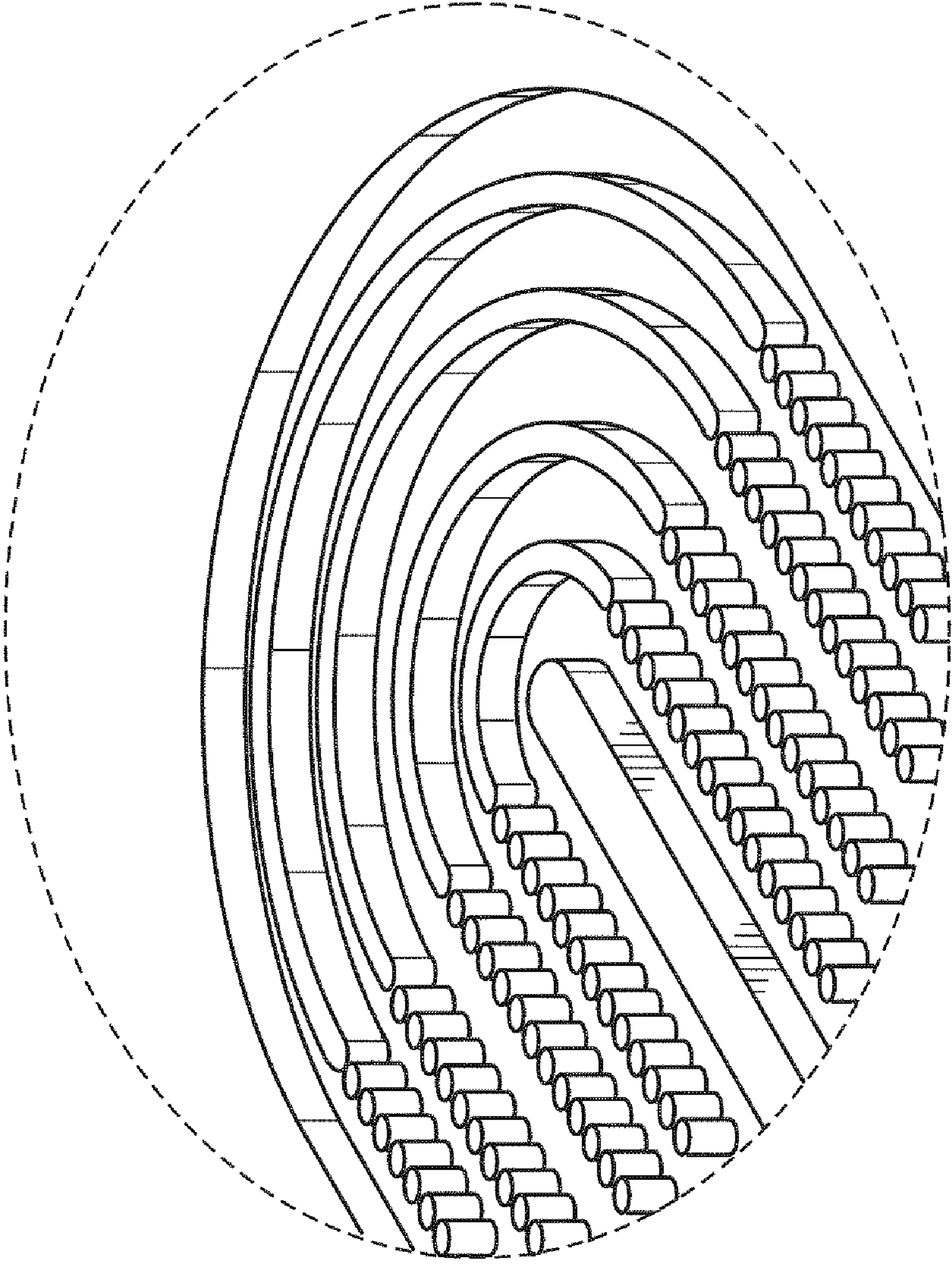


FIG. 2

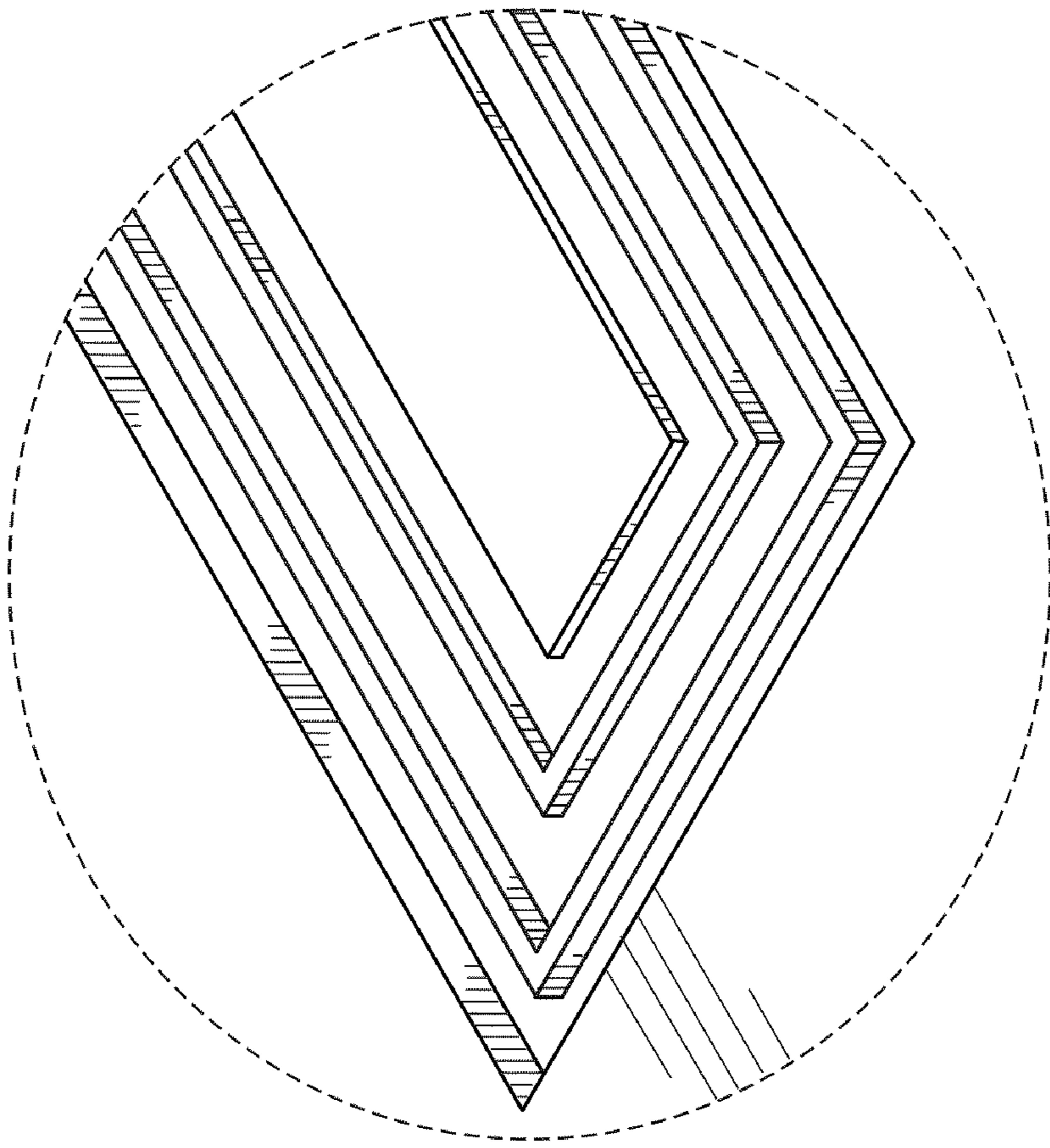


FIG. 3

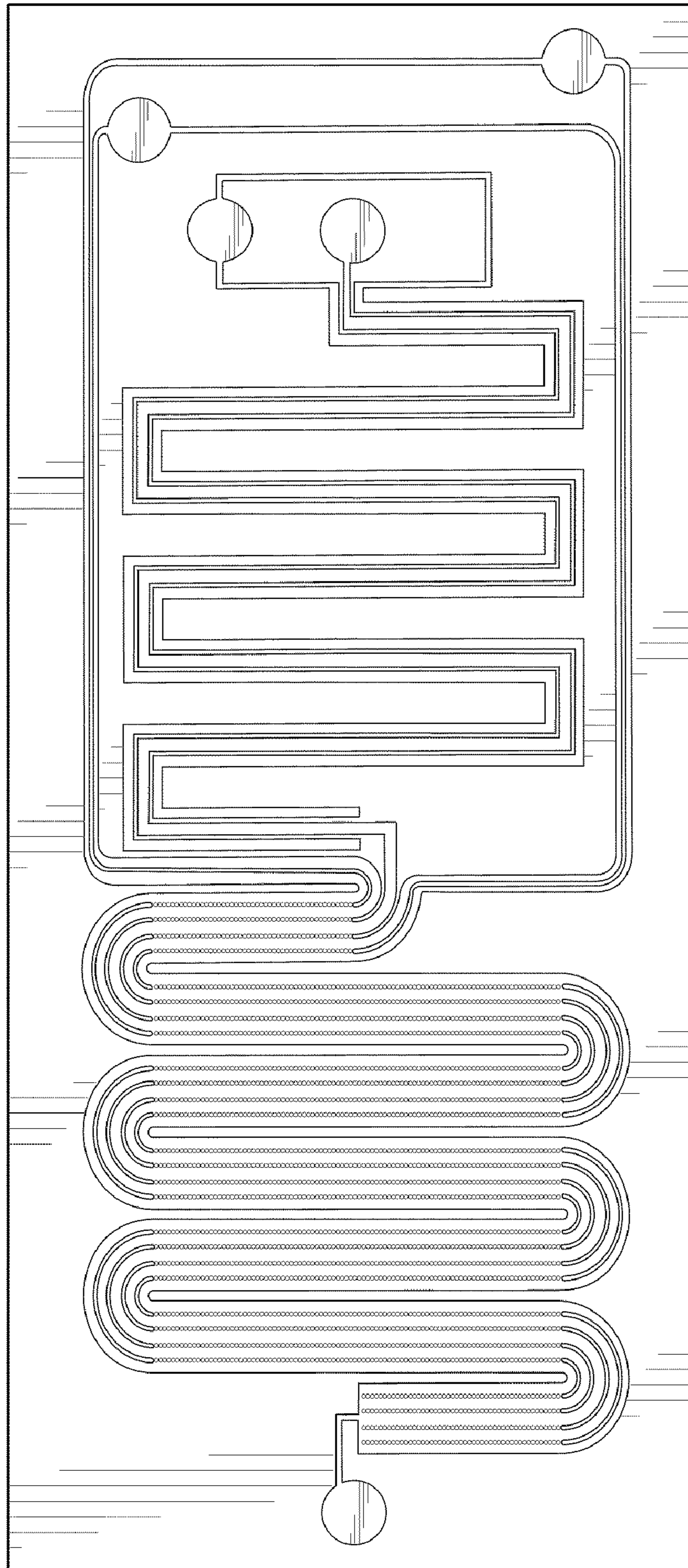


FIG. 4

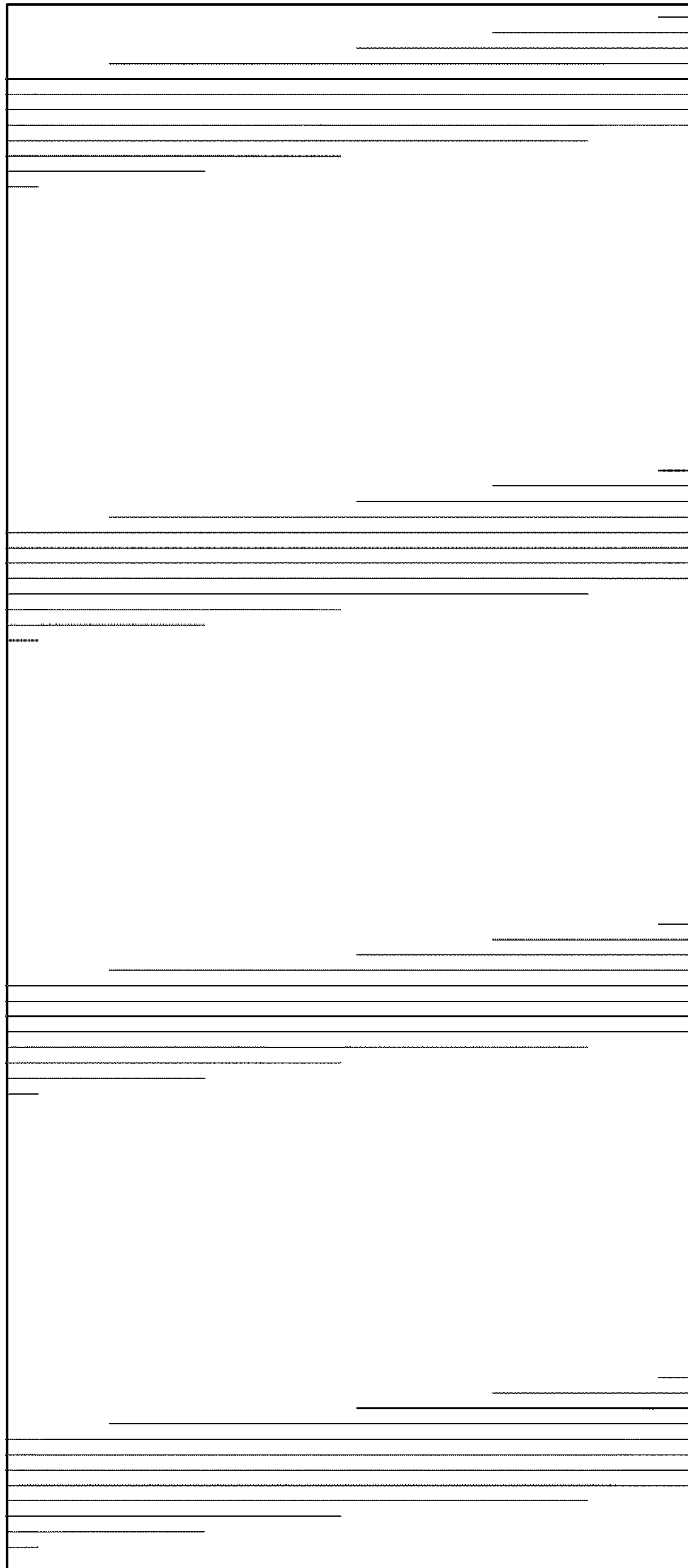


FIG. 5



FIG. 6



FIG. 7