



US00D650089S

(12) **United States Design Patent**
Kleyman

(10) **Patent No.:** **US D650,089 S**

(45) **Date of Patent:** **** Dec. 6, 2011**

(54) **UNIVERSAL CAP**

(75) **Inventor:** **Gennady Kleyman, Brooklyn, NY (US)**

(73) **Assignee:** **Siemens Healthcare Diagnostics Inc., Tarrytown, NY (US)**

(**) **Term:** **14 Years**

(21) **Appl. No.:** **29/385,394**

(22) **Filed:** **Feb. 14, 2011**

(51) **LOC (9) Cl.** **24-01**

(52) **U.S. Cl.** **D24/224**

(58) **Field of Classification Search** D24/216-232, D24/186, 107, 108, 121, 106, 127; D3/201, D3/203.1, 203.2, 202; D10/81; D9/435, D9/436, 439, 443, 452, 453, 454, 500, 503, D9/504, 505; 422/500, 547, 554, 556; 215/211, 215/212, 224, 228, 294, 296, 246, 317, 325, 215/355, 358

See application file for complete search history.

(56) **References Cited**

U.S. PATENT DOCUMENTS

2,526,622	A *	10/1950	Martin	215/355
3,898,046	A *	8/1975	Ikeda	422/550
3,958,572	A *	5/1976	Lawhead	D24/224
4,226,334	A *	10/1980	Weiler et al.	D24/224
D280,080	S *	8/1985	Miskinis	D24/224
D301,117	S *	5/1989	Baxter	D24/224
4,841,818	A *	6/1989	Plapp et al.	81/3.08
D315,680	S *	3/1991	Baxter	D24/224
D328,252	S *	7/1992	Miyake	D24/224
D337,726	S *	7/1993	O'Neill et al.	D9/435
5,479,741	A *	1/1996	Underwood	47/30

D432,245 S * 10/2000 Stevens et al. D24/224
D562,987 S * 2/2008 Colin et al. D24/224
D575,639 S * 8/2008 Seeuwen et al. D9/439

* cited by examiner

Primary Examiner — Anhdao Doan

(74) *Attorney, Agent, or Firm* — Ellen E. Fielitz

(57) **CLAIM**

The ornamental design for a universal cap, as shown and described.

DESCRIPTION

FIG. 1 is a top perspective view of a universal cap showing my new design;
FIG. 2 is a bottom perspective view thereof;
FIG. 3 is front elevation view thereof;
FIG. 4 is cross-sectional view thereof taken generally along line 4-4 in FIG. 3;
FIG. 5 is a top plan view thereof;
FIG. 6 is a bottom plan view thereof;
FIG. 7 is a cross-sectional view thereof similar to FIG. 4, shown in an environment of use; and,
FIG. 8 is a cross-sectional view thereof similar to FIG. 4, shown in another environment of use.

The broken line showing of the sample tube in FIGS. 7 and 8 illustrates environmental subject matter. The broken lines immediately adjacent the shaded areas represent the bounds of the claim, and all other broken lines are included for the purpose of illustrating the unclaimed portions of the universal cap. None of the broken lines form a part of the claimed design.

1 Claim, 4 Drawing Sheets

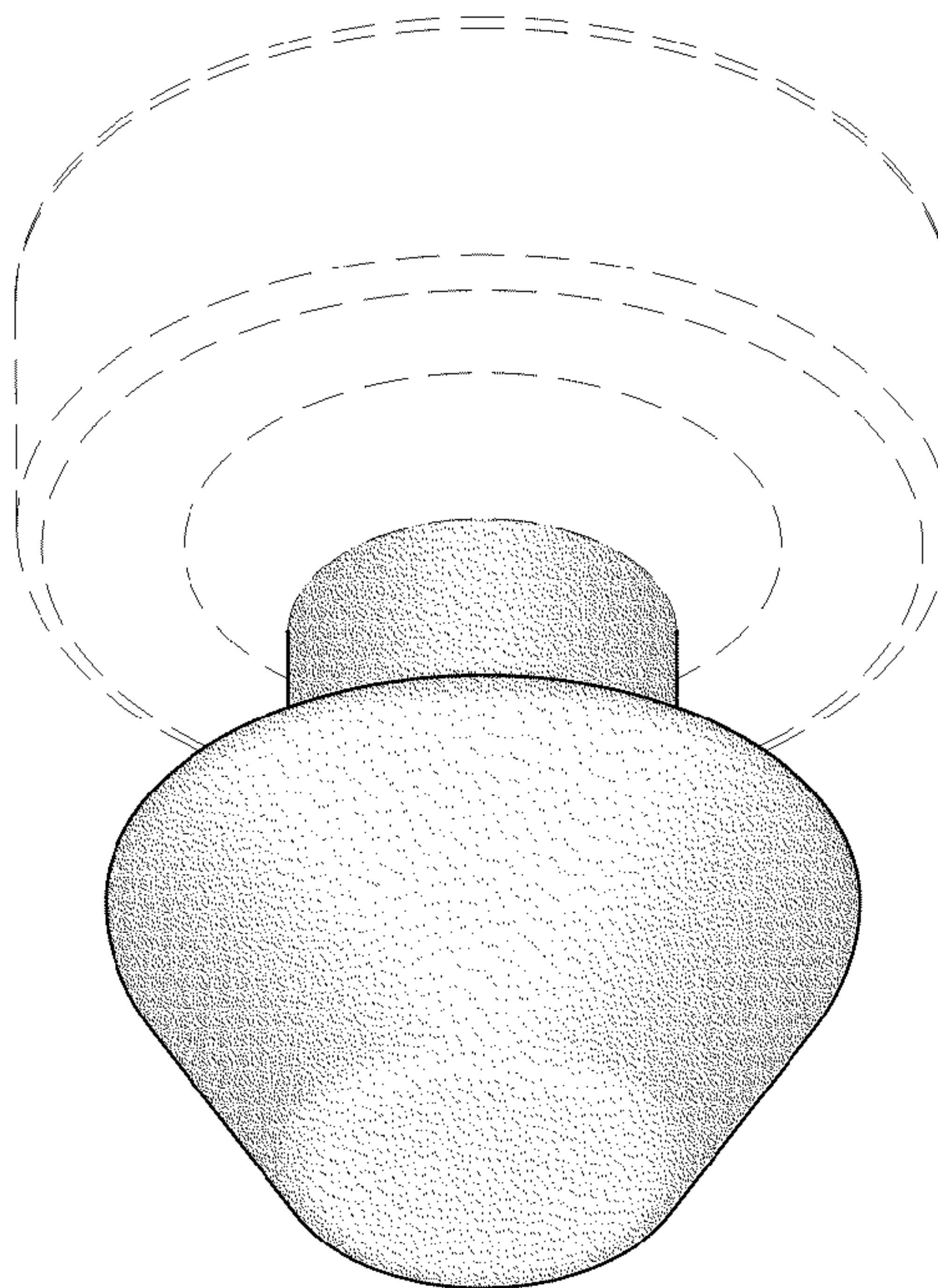


FIG. 1

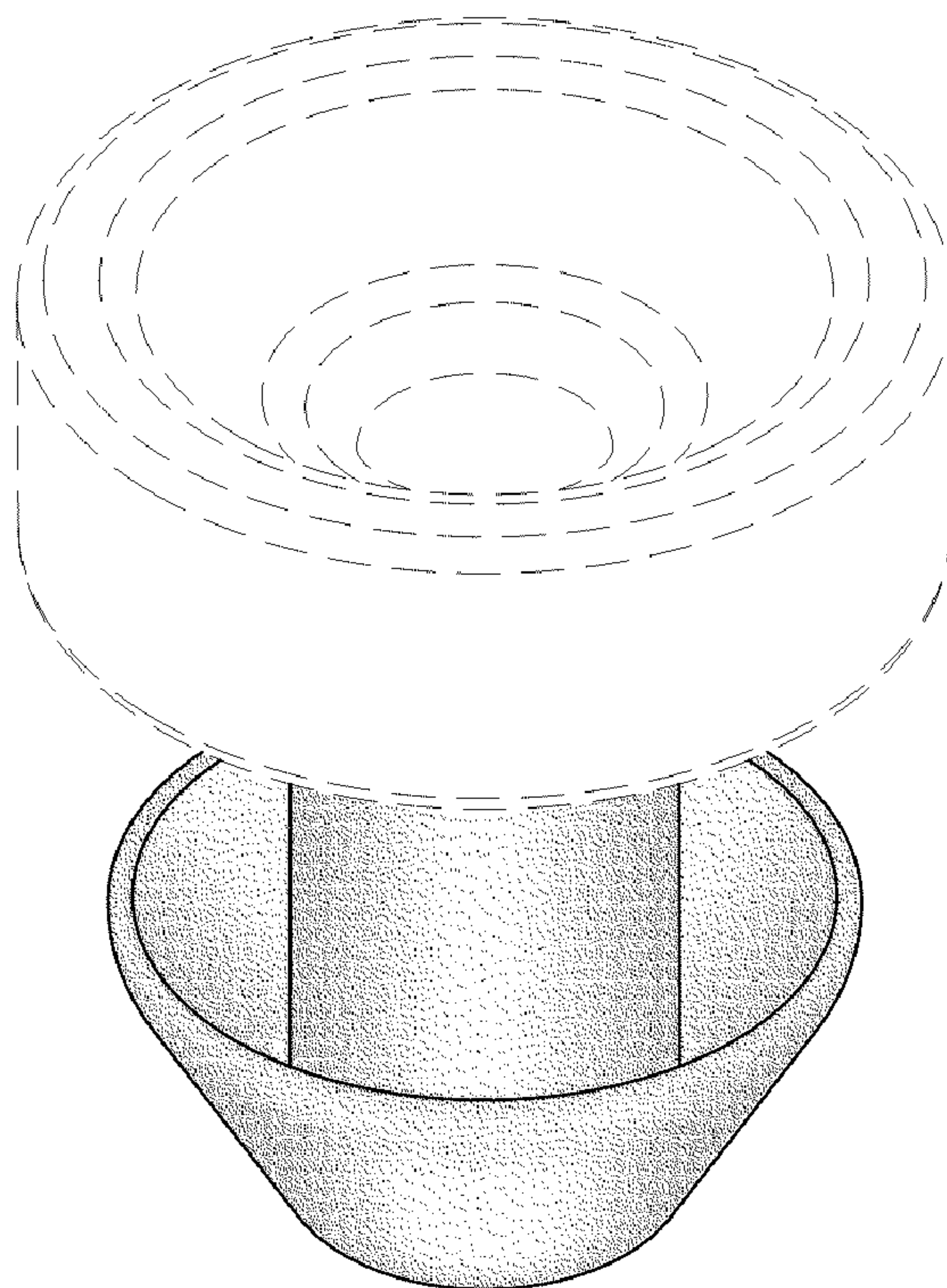


FIG. 2

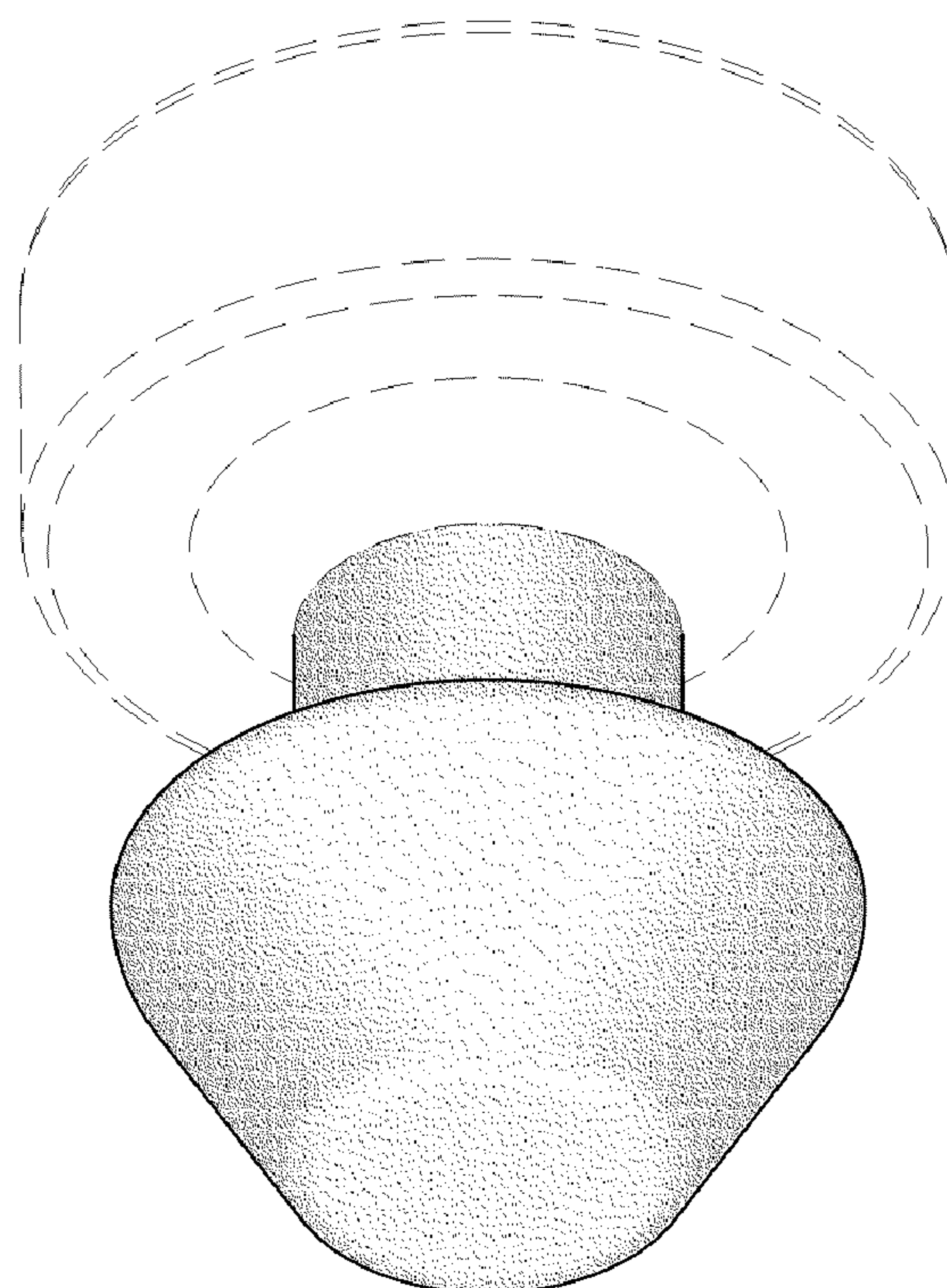


FIG. 3

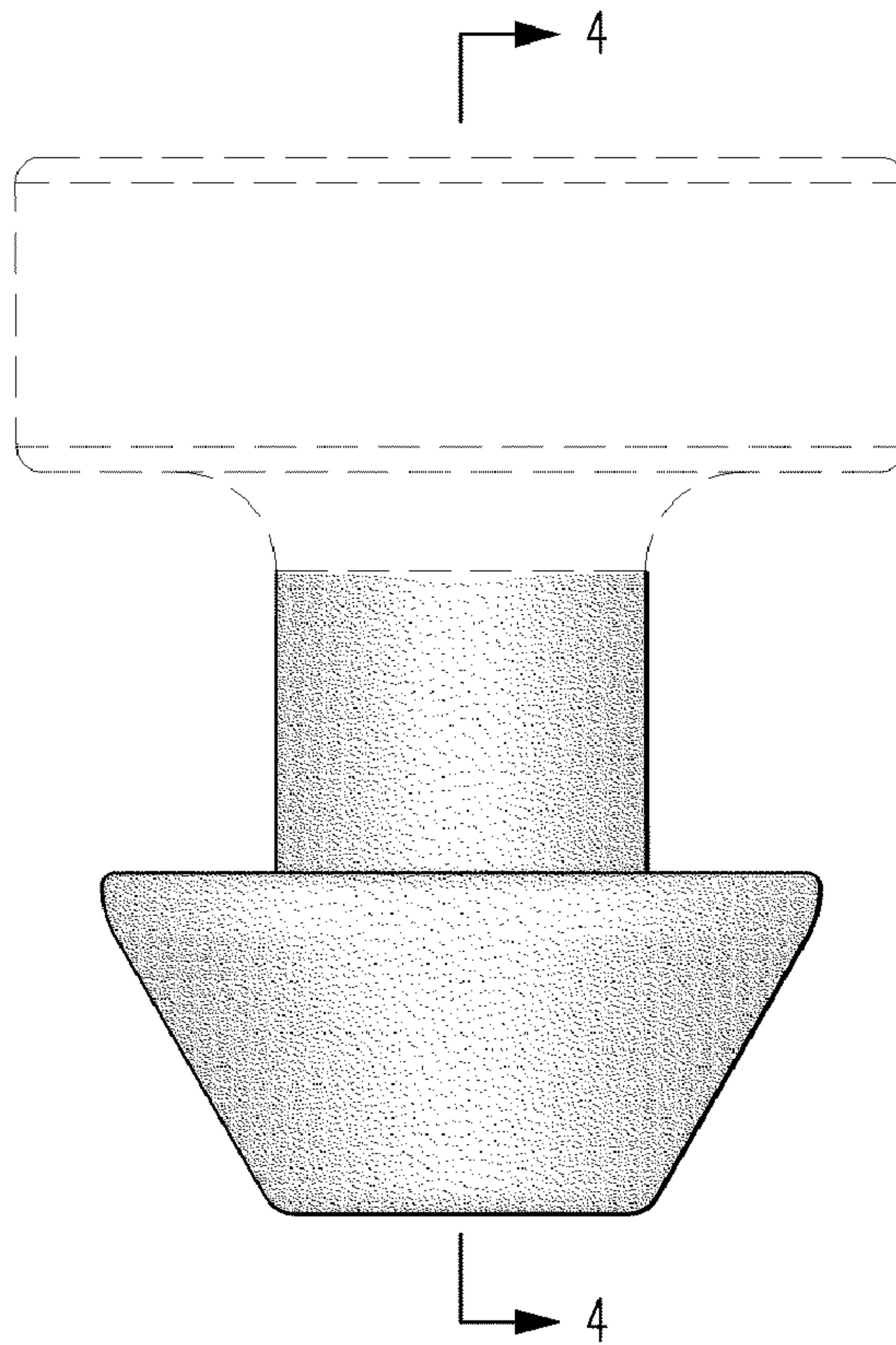
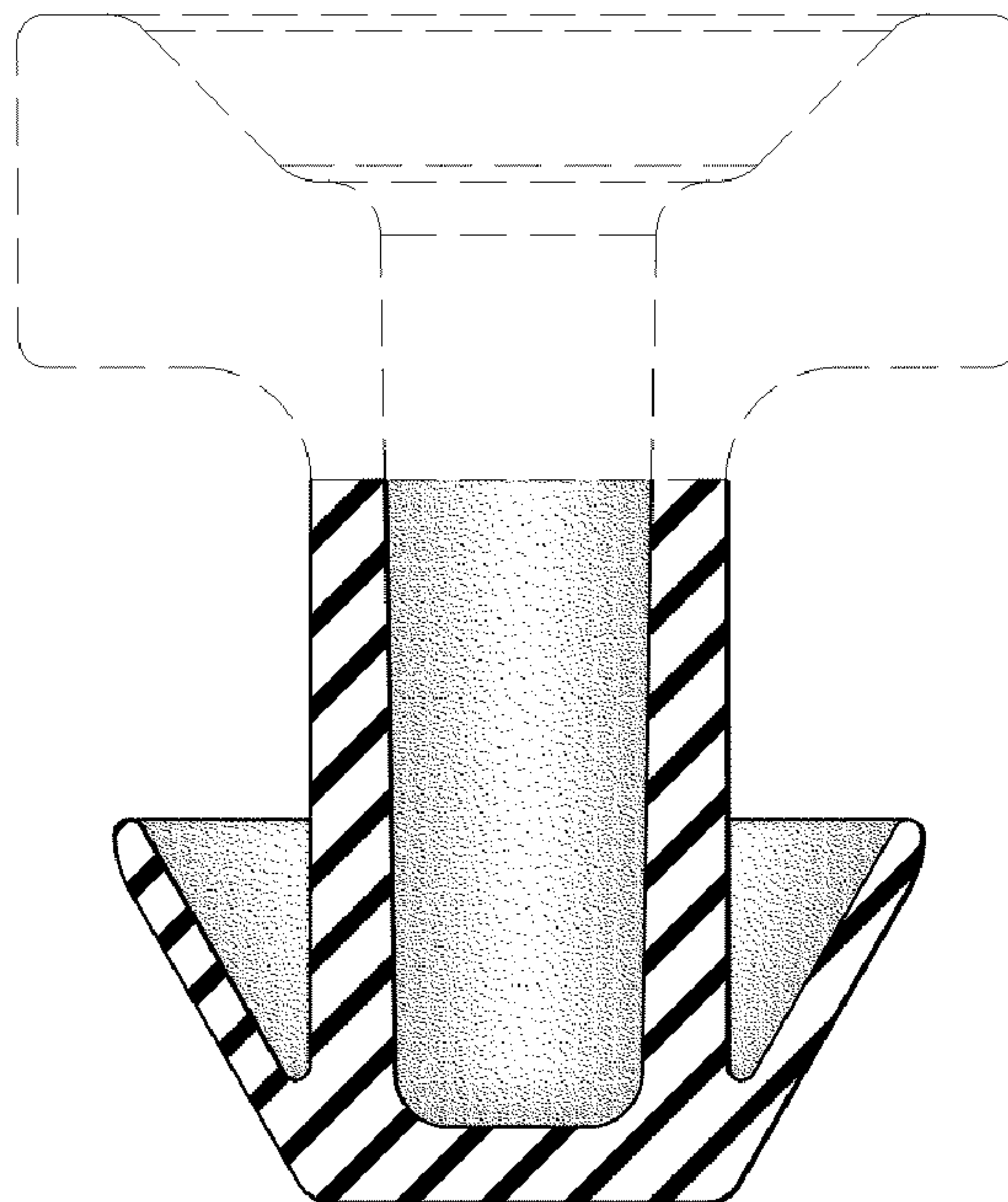


FIG. 4



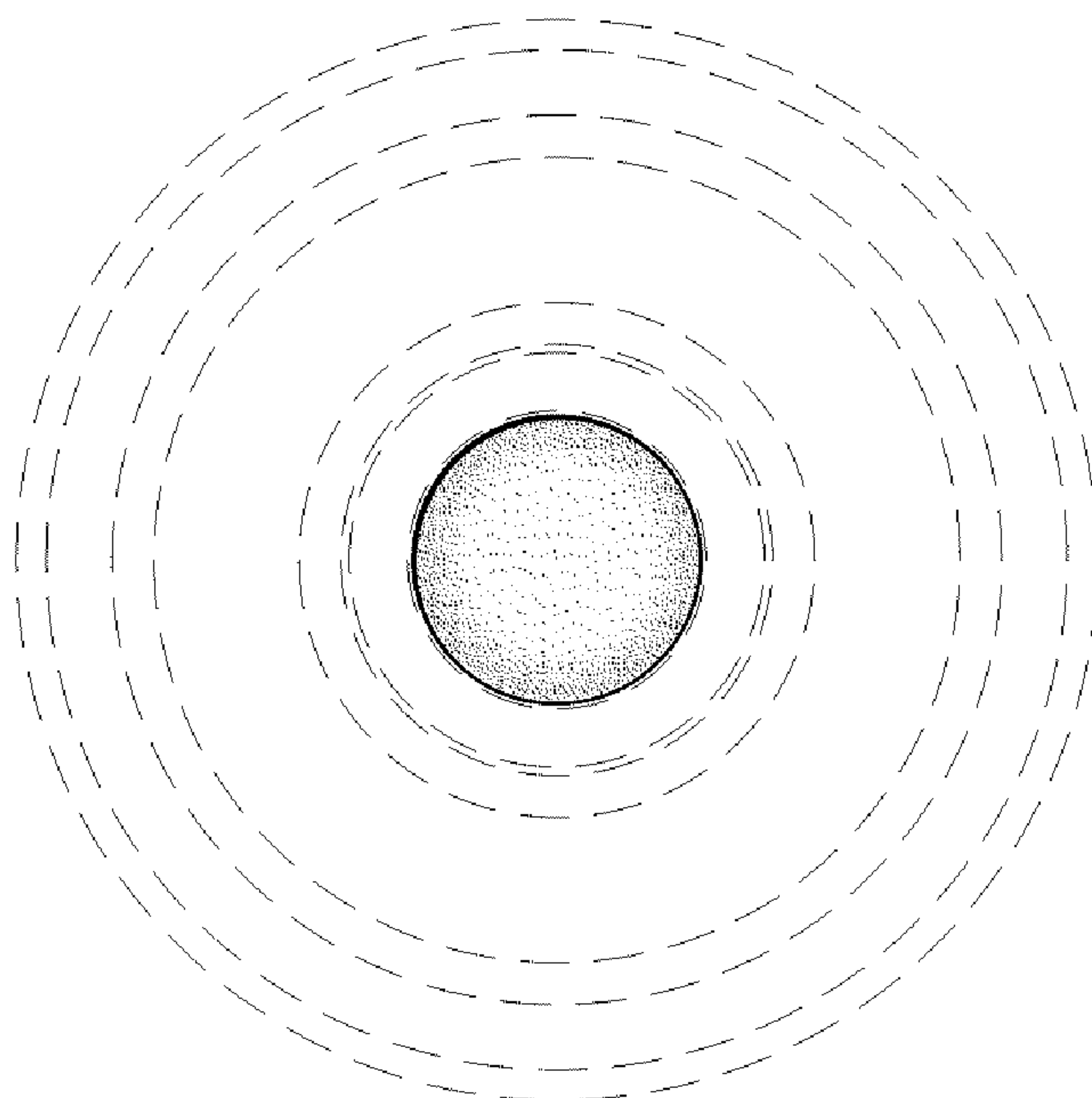


FIG. 5

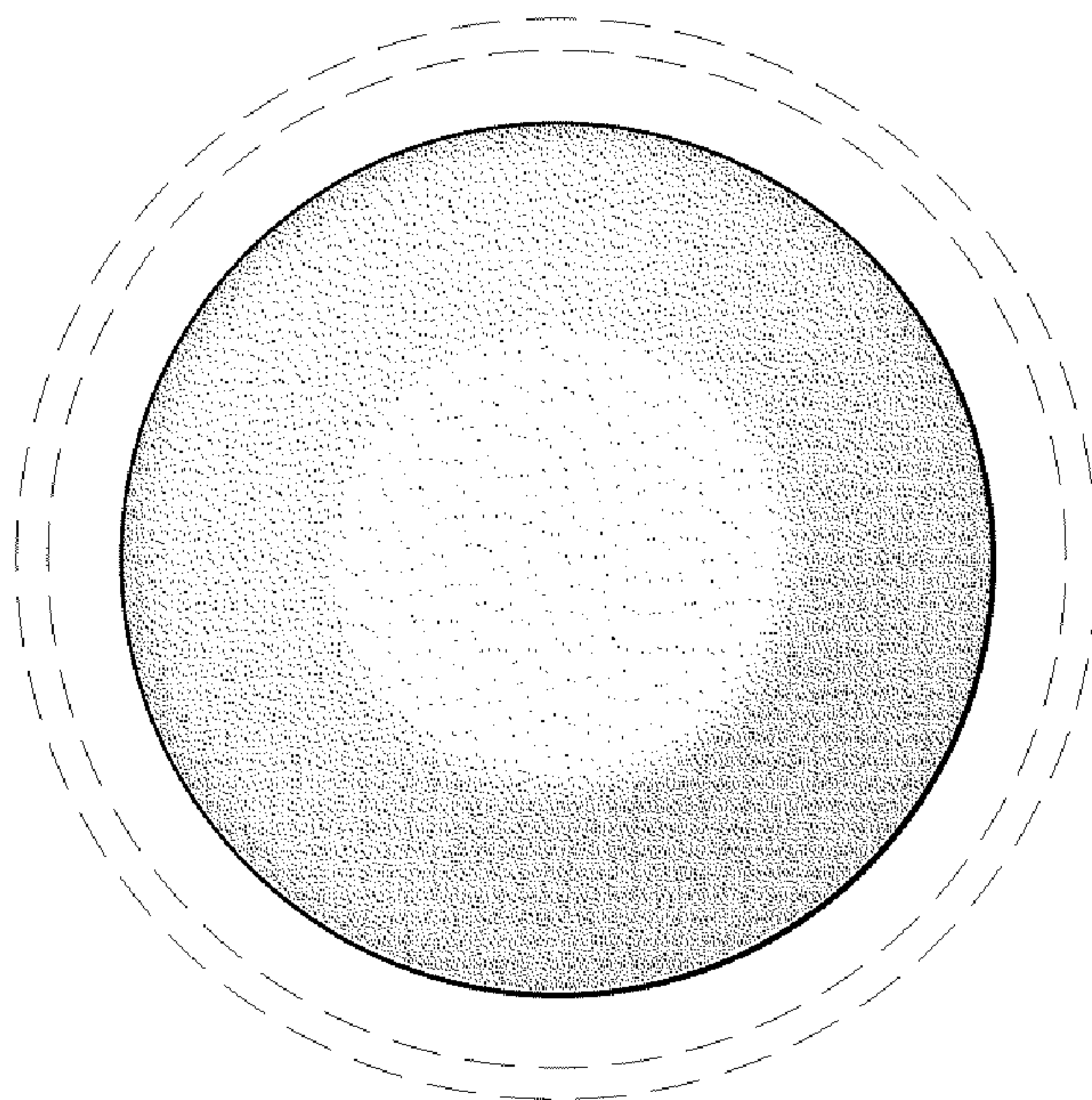


FIG. 6

FIG. 7

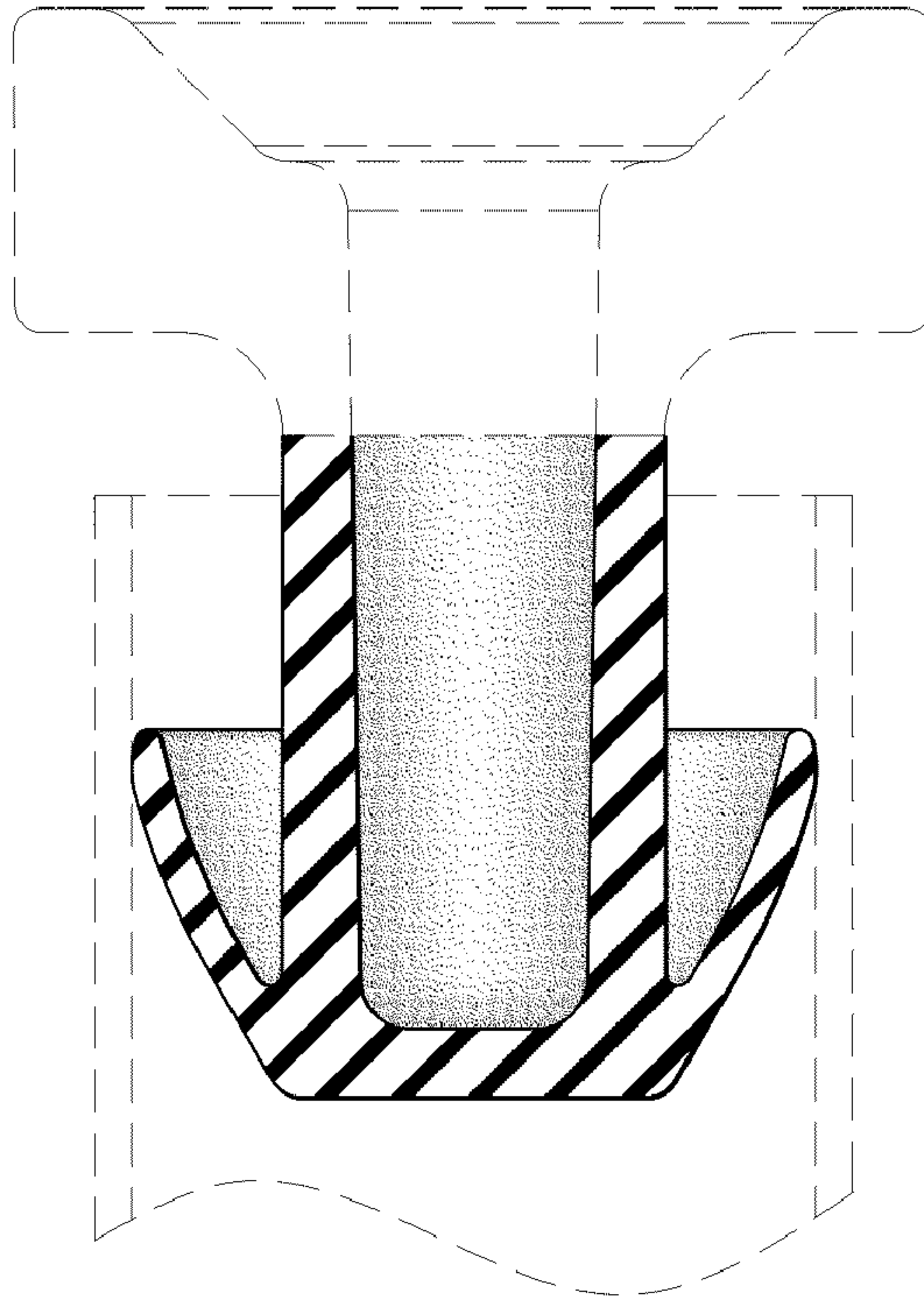


FIG. 8

