



US00D650087S

(12) **United States Design Patent**  
**Huang**

(10) **Patent No.:** **US D650,087 S**

(45) **Date of Patent:** **\*\* Dec. 6, 2011**

(54) **HANDHELD APPARATUS FOR MEDICINE  
OR NON-MEDICAL USE**

(75) Inventor: **Ming-Chih Huang**, Taichung (TW)

(73) Assignee: **Yu-Sen Wei**, Taipei County (TW)

(\*\*) Term: **14 Years**

(21) Appl. No.: **29/382,115**

(22) Filed: **Dec. 29, 2010**

(30) **Foreign Application Priority Data**

Jul. 2, 2010 (EM) ..... 001224224

(51) **LOC (9) Cl.** ..... **28-03**

(52) **U.S. Cl.** ..... **D24/215**

(58) **Field of Classification Search** ..... D24/200,  
D24/211-215; 601/118, 120, 121, 124, 125,  
601/130, 131, 134-137

See application file for complete search history.

(56) **References Cited**

**U.S. PATENT DOCUMENTS**

D311,790 S \* 10/1990 Krief ..... D29/121.1  
D326,327 S \* 5/1992 Sue ..... D24/214  
D326,722 S \* 6/1992 Sue ..... D24/214

D347,282 S \* 5/1994 Yoo ..... D24/211  
D351,235 S \* 10/1994 Yoo ..... D24/211  
D378,539 S \* 3/1997 Scott ..... D24/211  
D384,417 S \* 9/1997 Zurbay ..... D24/214  
D454,644 S \* 3/2002 York ..... D24/214  
D469,880 S \* 2/2003 York ..... D24/214  
D548,850 S \* 8/2007 Gladieux, III ..... D24/214  
D607,116 S \* 12/2009 Morganstern ..... D24/214

\* cited by examiner

*Primary Examiner* — Sandra Snapp

(74) *Attorney, Agent, or Firm* — WPAT, P.C.; Anthony King

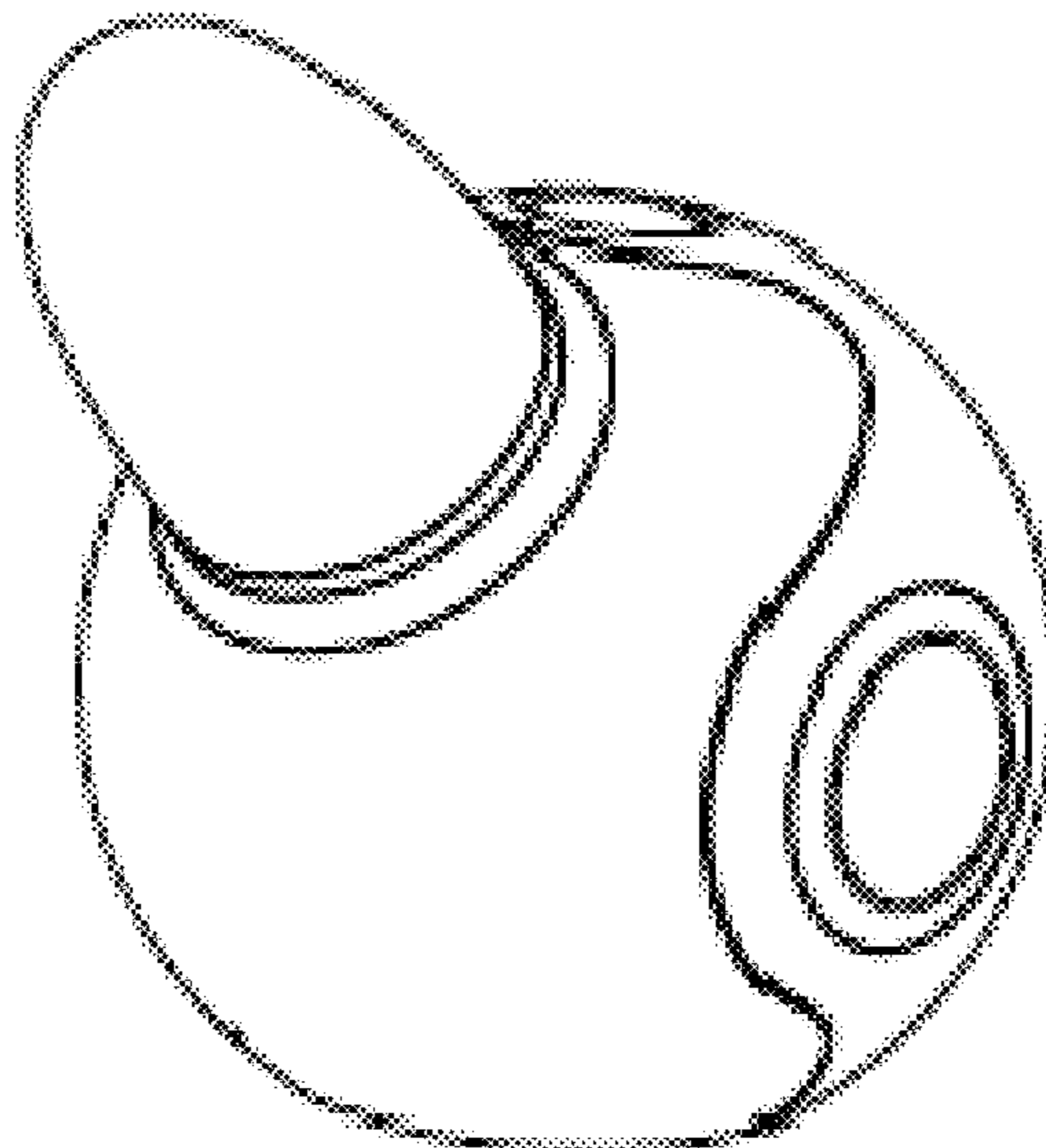
(57) **CLAIM**

The ornamental design for a handheld apparatus for medicine or non-medical use, as shown and described.

**DESCRIPTION**

FIG. 1 is a perspective view of a handheld apparatus for medicine or non-medical use showing my new design; FIG. 2 is a perspective view from another side thereof; FIG. 3 is a front view thereof; FIG. 4 is a top plan view thereof; FIG. 5 is a right side view thereof; FIG. 6 is a left side view thereof; FIG. 7 is a rear view thereof; and, FIG. 8 is a bottom plan view thereof.

**1 Claim, 4 Drawing Sheets**



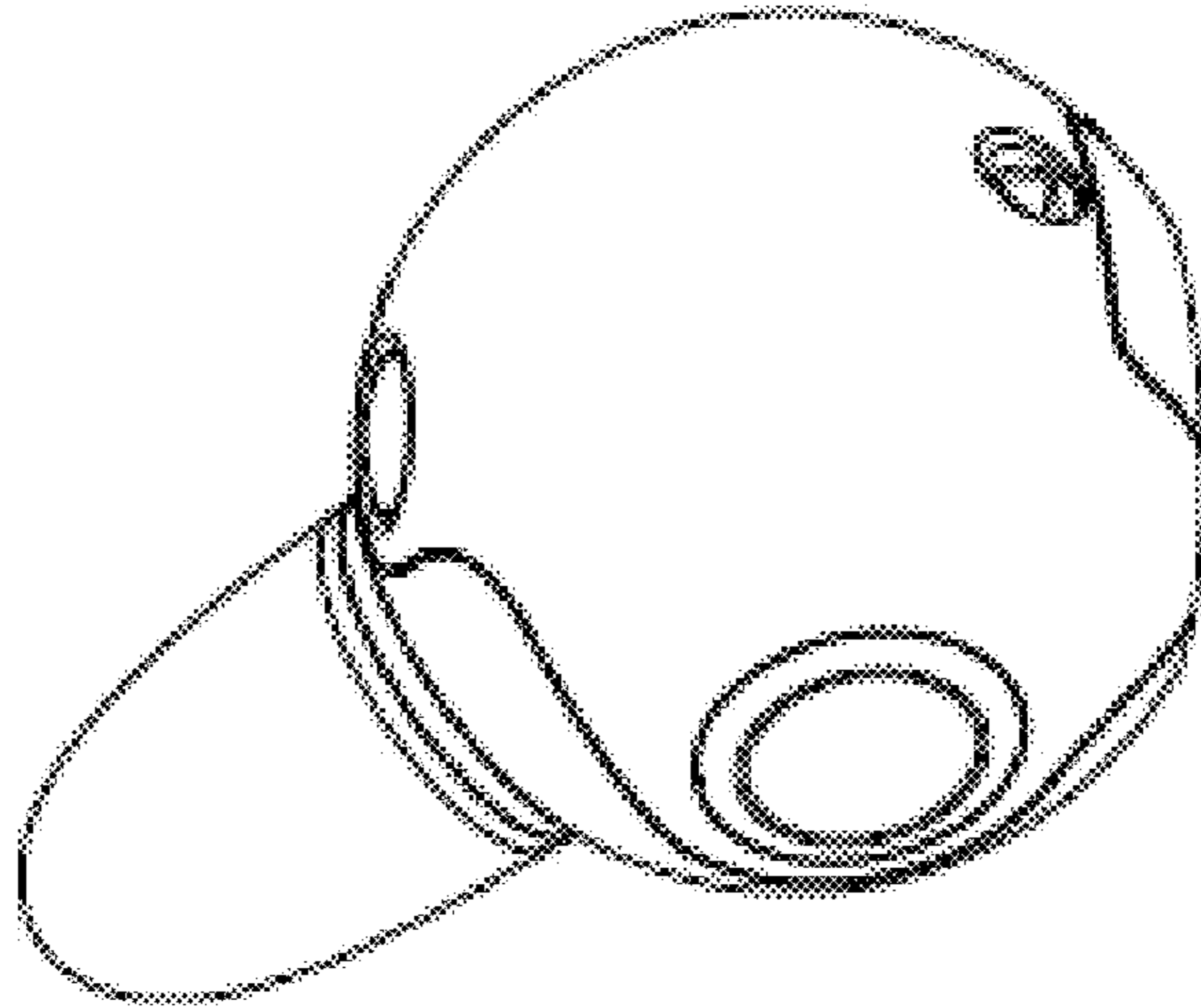


Fig. 2

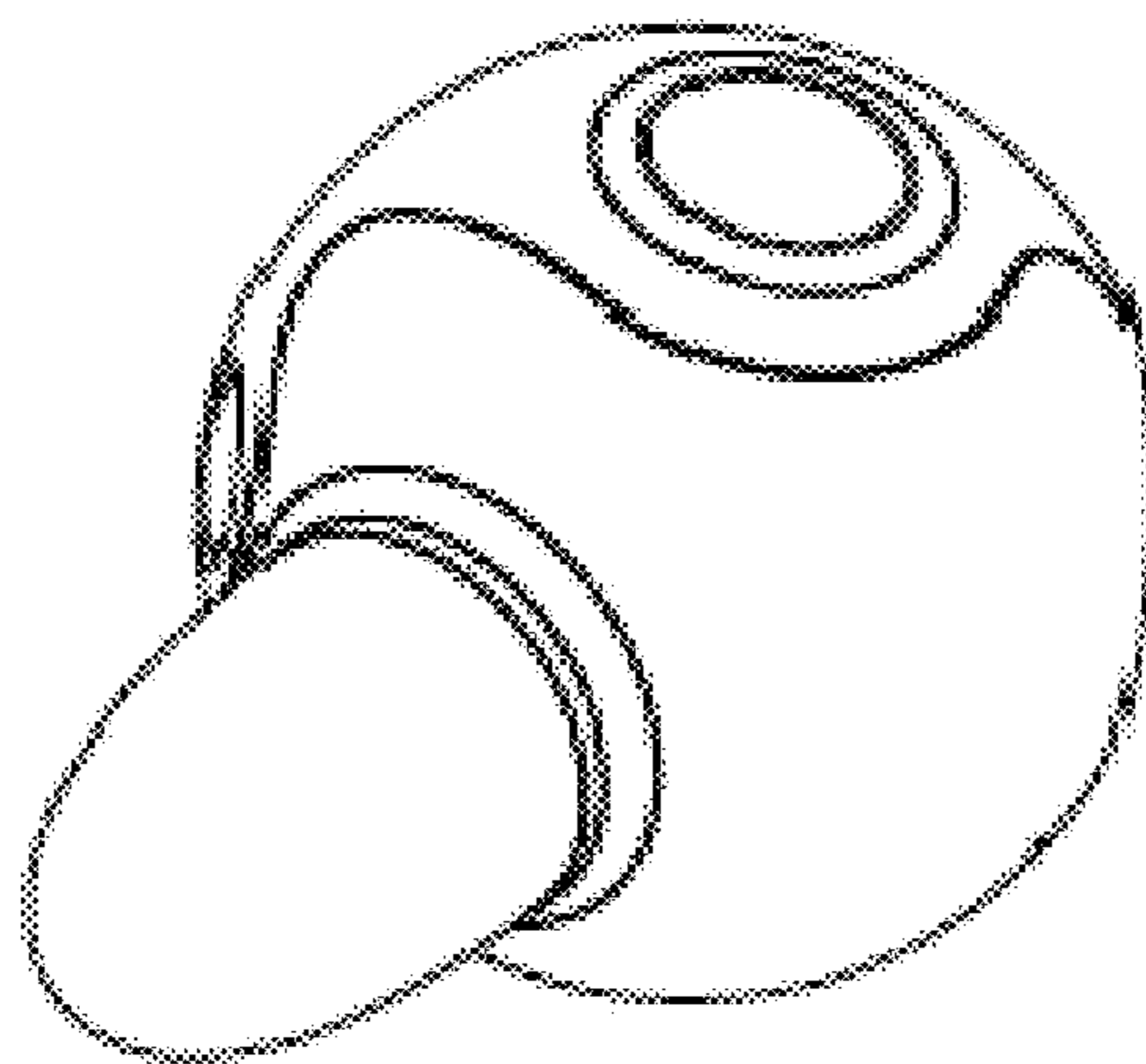


Fig. 1

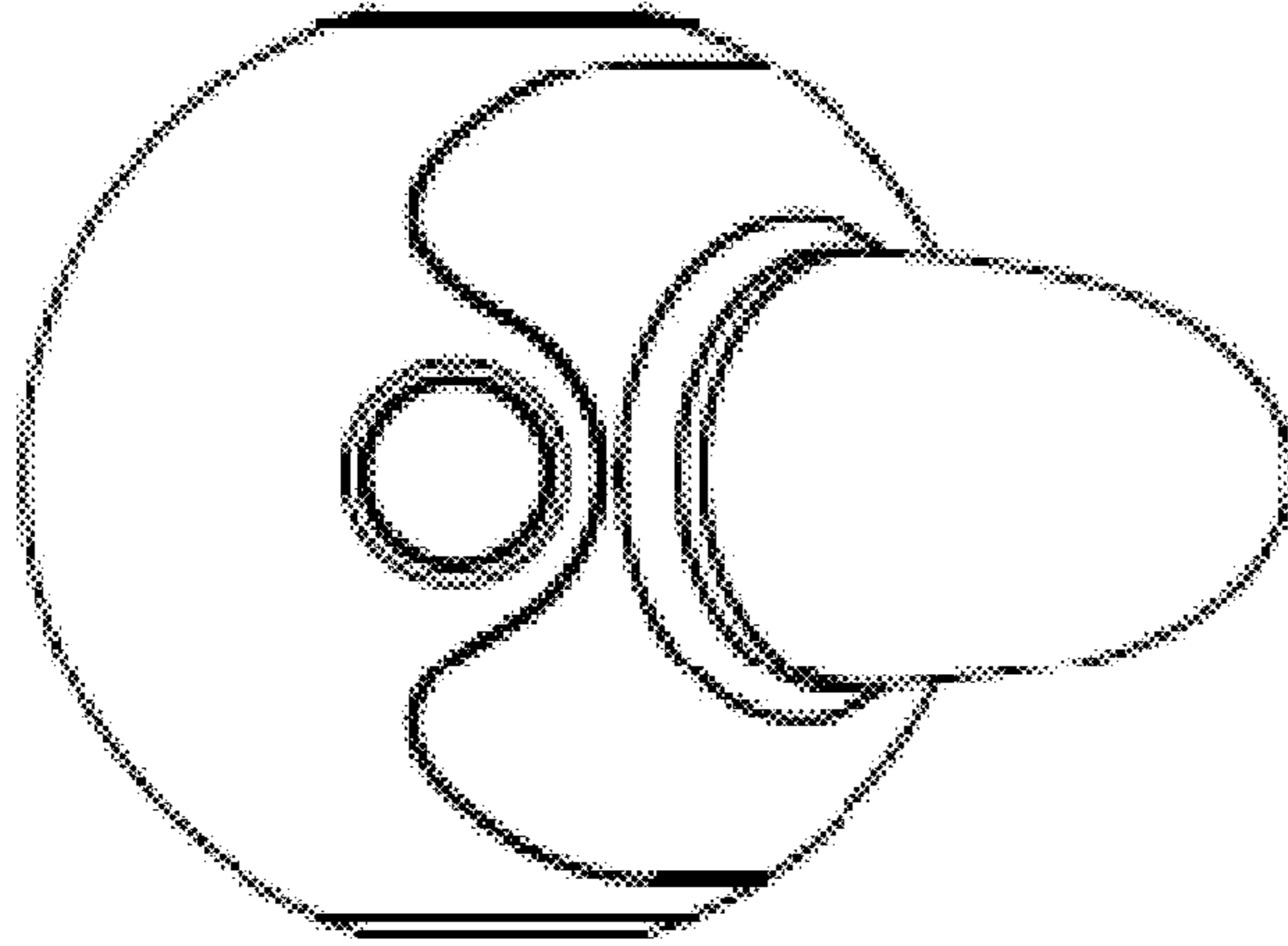


Fig. 4

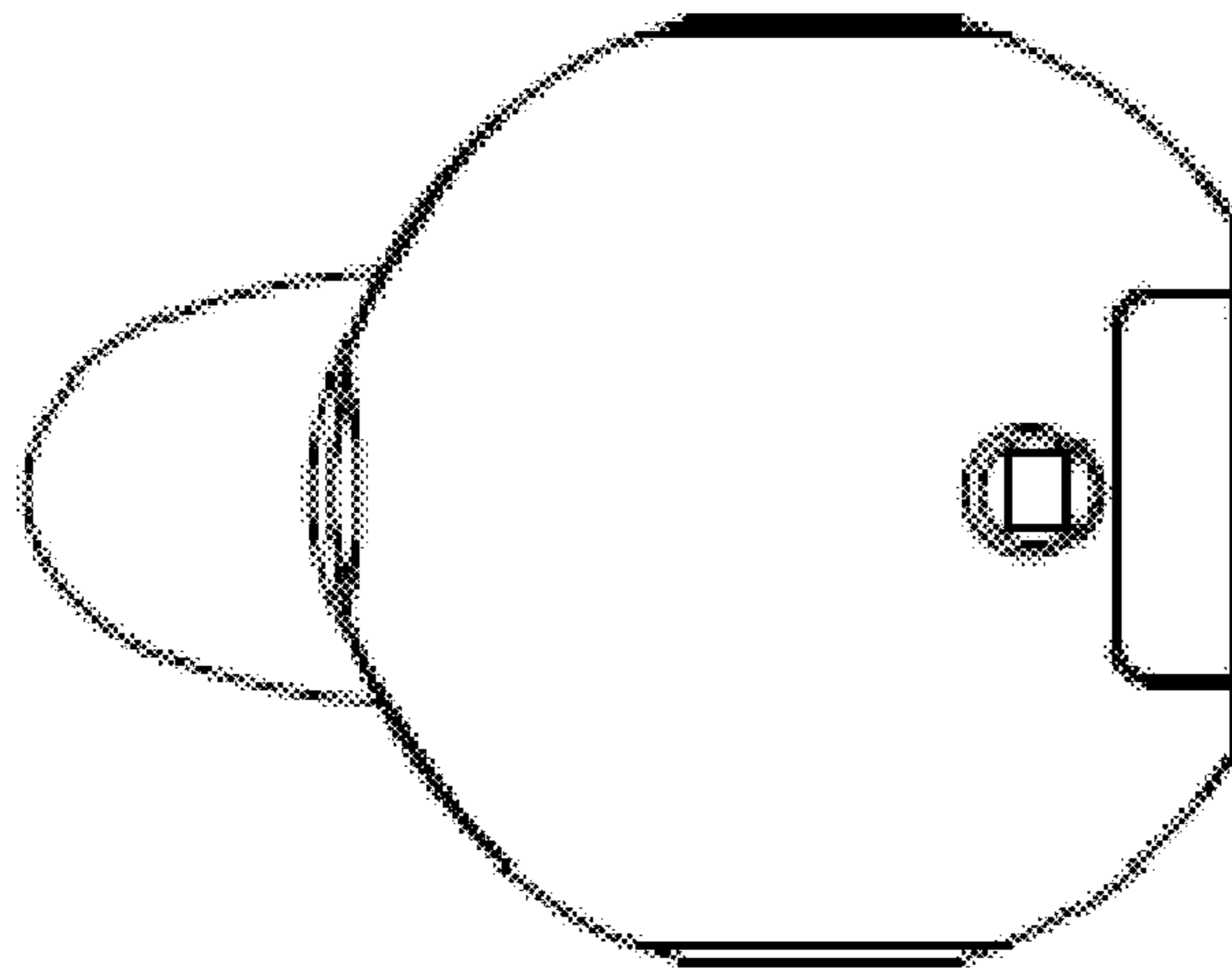


Fig. 3

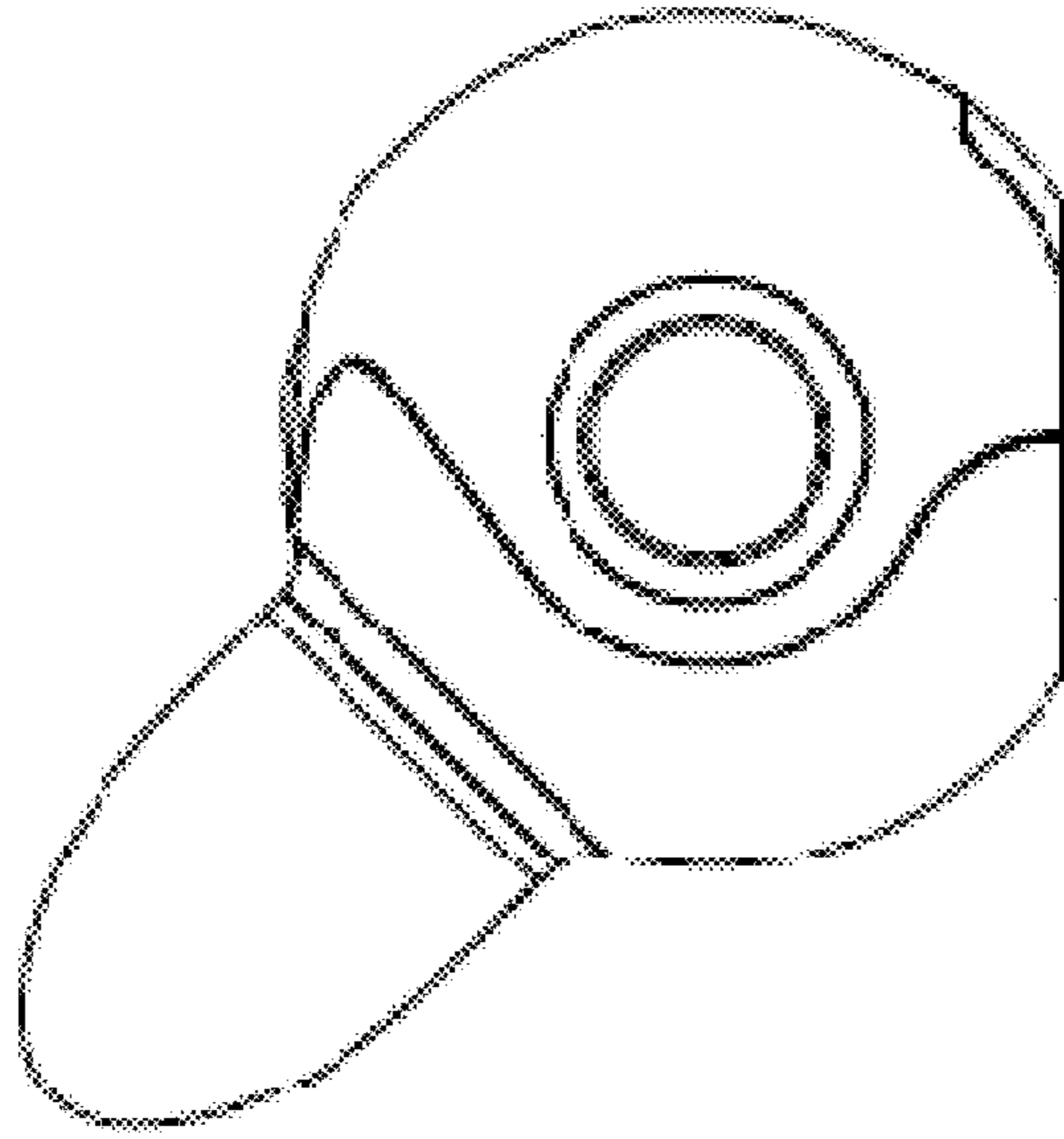


Fig. 6

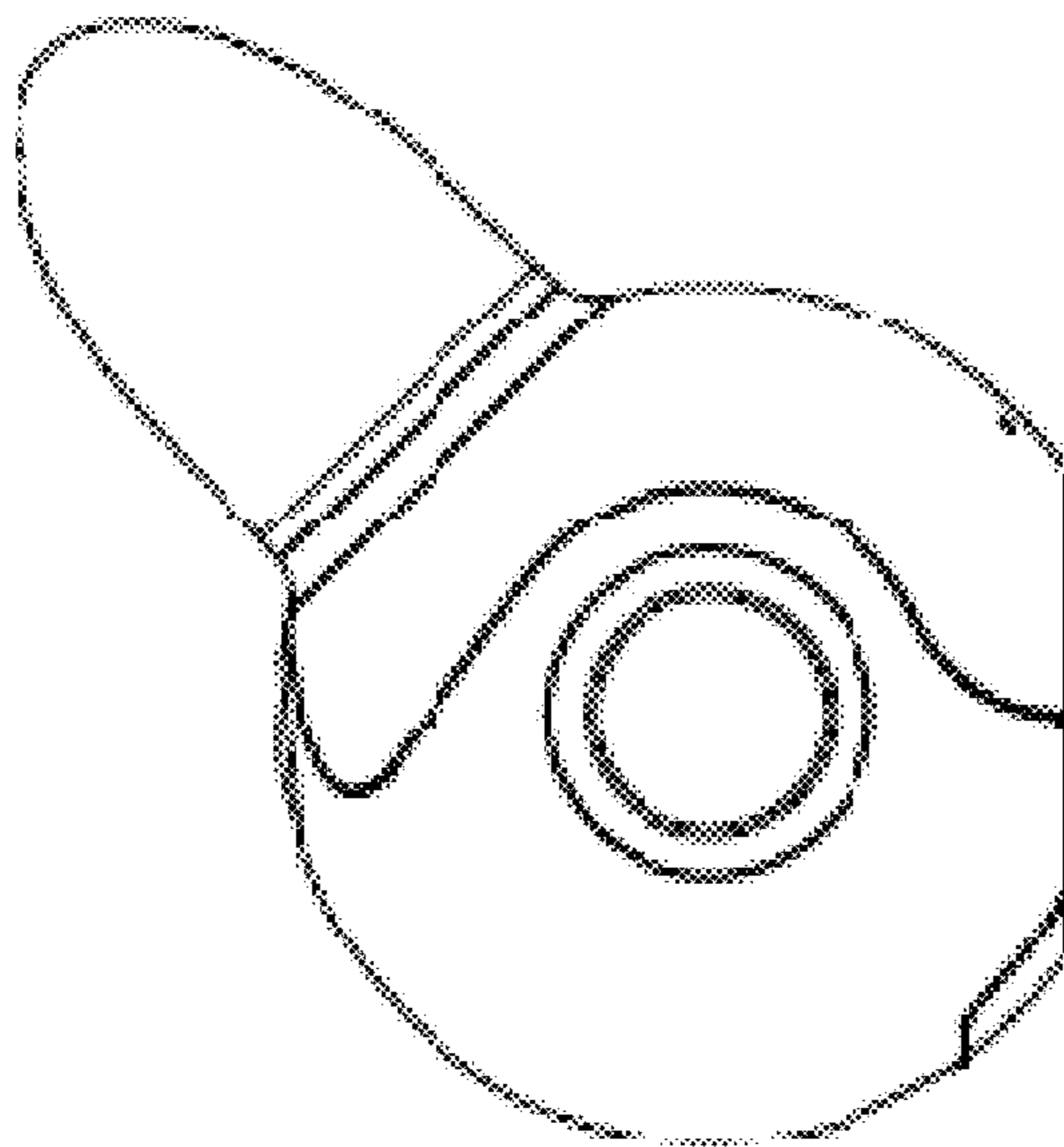


Fig. 5

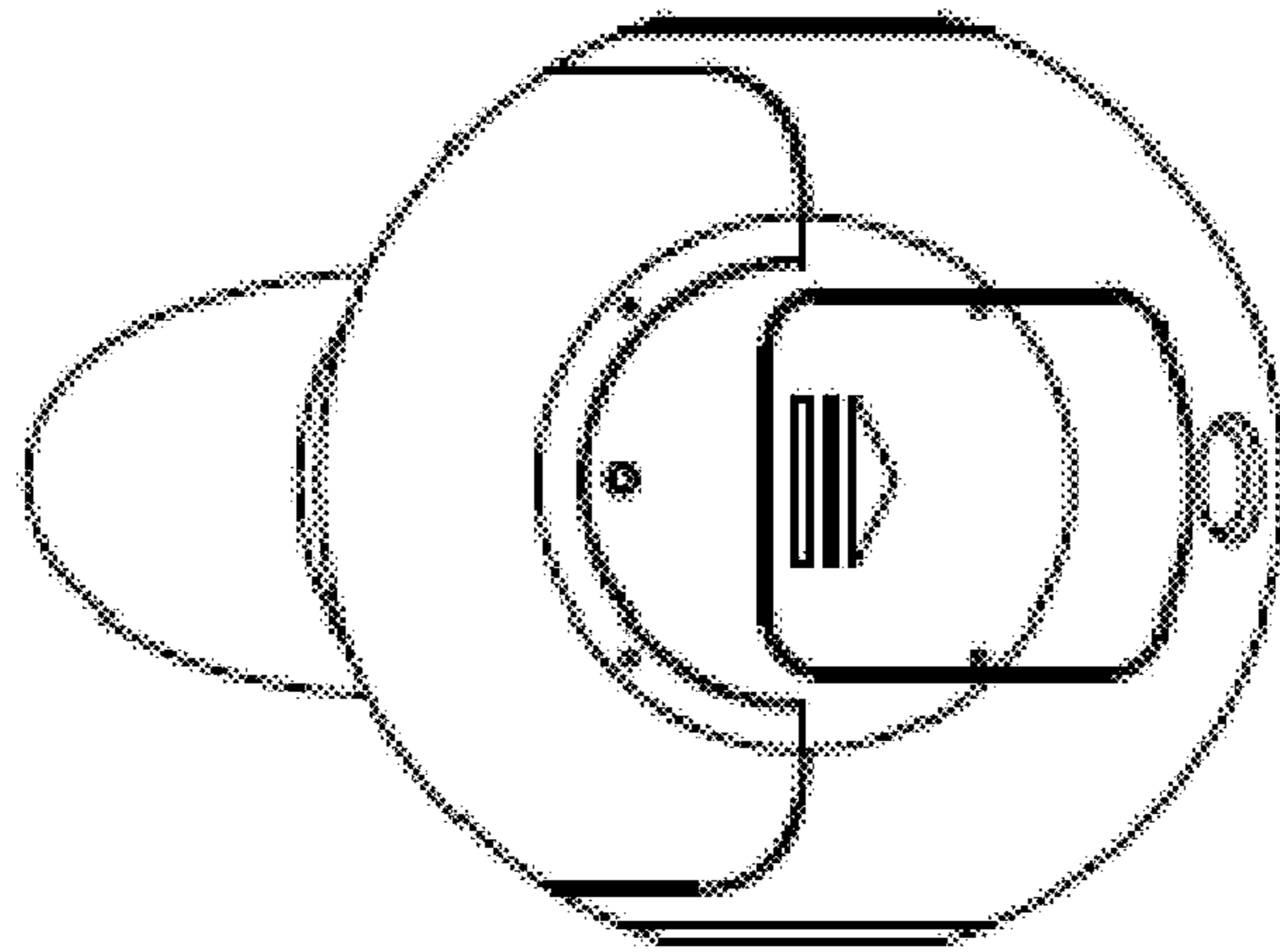


Fig. 8

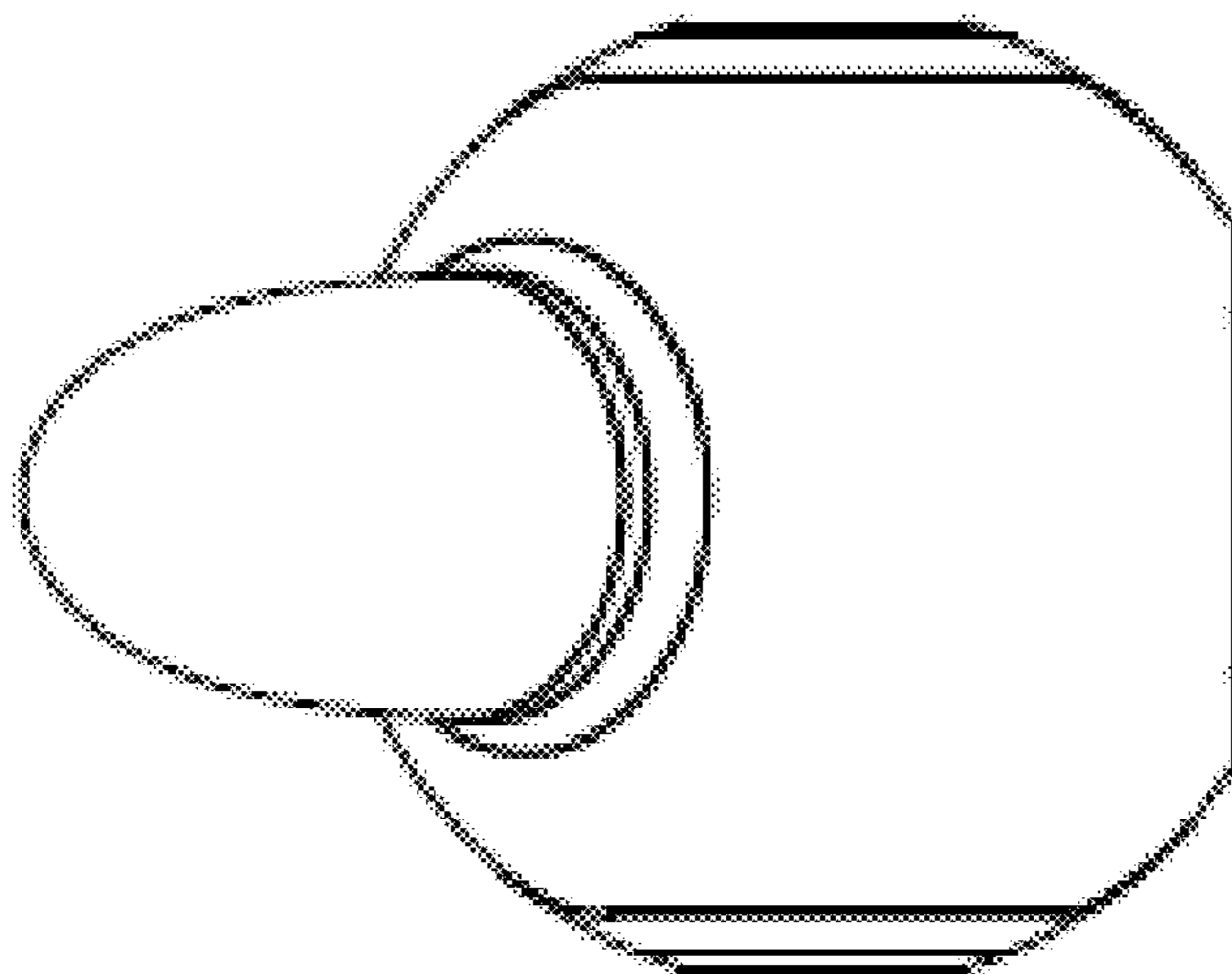


Fig. 7