



US00D650086S

(12) **United States Design Patent**  
**Fuster**

(10) **Patent No.:** **US D650,086 S**

(45) **Date of Patent:** **\*\* Dec. 6, 2011**

(54) **HEAD FOR MASSAGE APPARATUS**

(75) Inventor: **Arnaud Fuster**, Beaumont-les-Valence (FR)

(73) Assignee: **LPG Finance Industrie**, Valence (FR)

(\*\*) Term: **14 Years**

(21) Appl. No.: **29/353,775**

(22) Filed: **Jan. 14, 2010**

(30) **Foreign Application Priority Data**

Jul. 16, 2009 (EM) ..... 1584525-0006

(51) **LOC (9) Cl.** ..... **28-03**

(52) **U.S. Cl.** ..... **D24/215**

(58) **Field of Classification Search** ..... D24/200,  
D24/211-215; 601/118, 120, 121, 124, 125,  
601/130, 131, 134-137

See application file for complete search history.

(56) **References Cited**

**U.S. PATENT DOCUMENTS**

- D300,853 S \* 4/1989 Smal ..... D24/211
- D345,424 S \* 3/1994 Gudeein ..... D24/215
- D400,261 S \* 10/1998 Allende ..... D24/215

- D423,677 S \* 4/2000 Sivan et al. .... D24/215
- D438,977 S \* 3/2001 Khalaj ..... D24/214
- D456,522 S \* 4/2002 Elkerbout ..... D24/215
- D509,592 S \* 9/2005 Talbot et al. .... D24/215
- D530,019 S \* 10/2006 Crunick et al. .... D24/211
- D610,692 S \* 2/2010 Heilman ..... D24/201
- D618,813 S \* 6/2010 Doo ..... D24/200
- D627,080 S \* 11/2010 Fuster ..... D24/215
- 2005/0192519 A1 \* 9/2005 Crunick ..... 601/72

\* cited by examiner

*Primary Examiner* — Sandra Snapp

(74) *Attorney, Agent, or Firm* — Burr & Brown

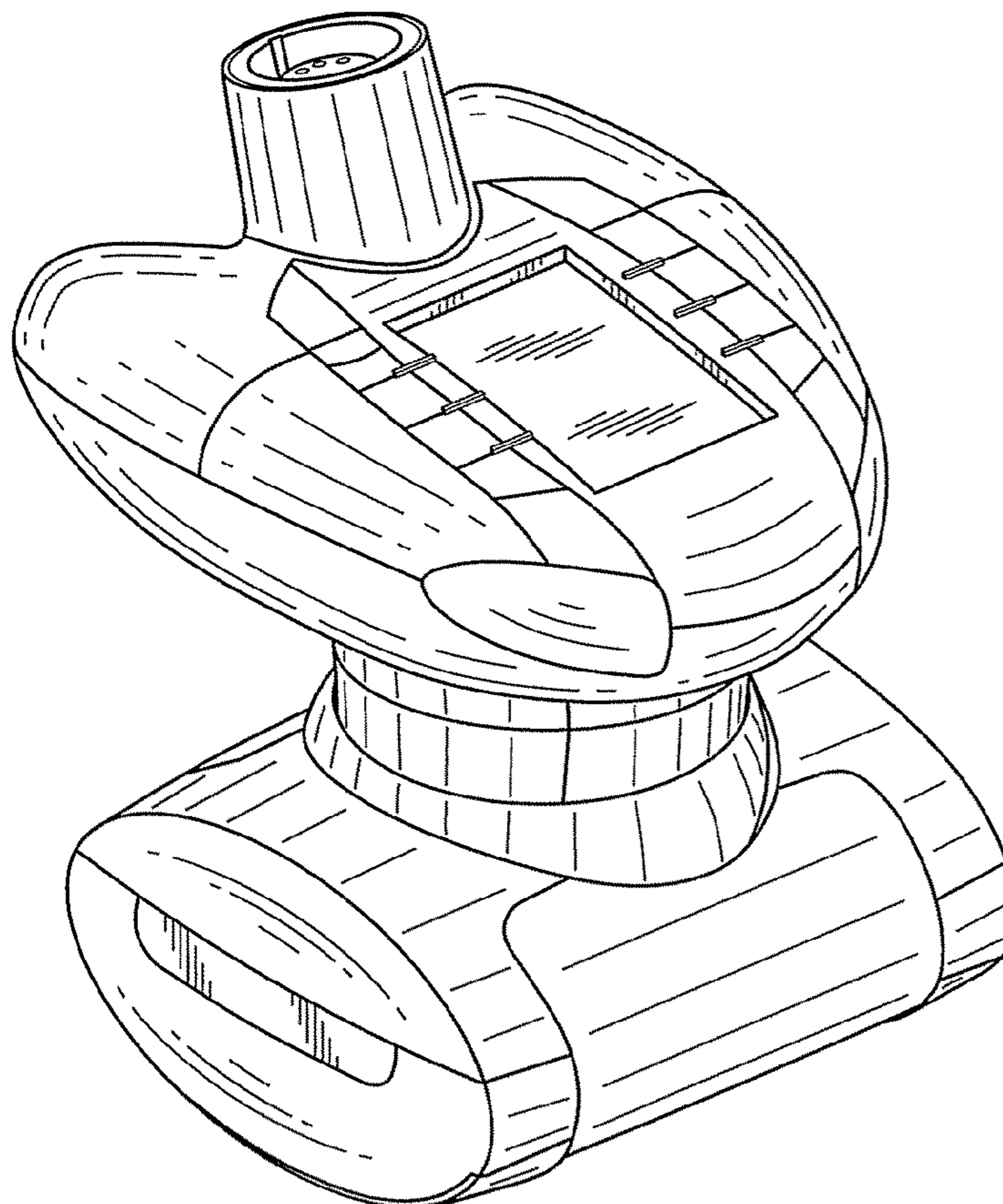
(57) **CLAIM**

The ornamental design for a head for massage apparatus, as shown and described.

**DESCRIPTION**

FIG. 1 is perspective view of a head for massage apparatus illustrating my new design;  
FIG. 2 a front view thereof;  
FIG. 3 is a rear view thereof;  
FIG. 4 is a right side view thereof;  
FIG. 5 is a left side view thereof;  
FIG. 6 is a top view thereof; and,  
FIG. 7 is a bottom view thereof.

**1 Claim, 7 Drawing Sheets**



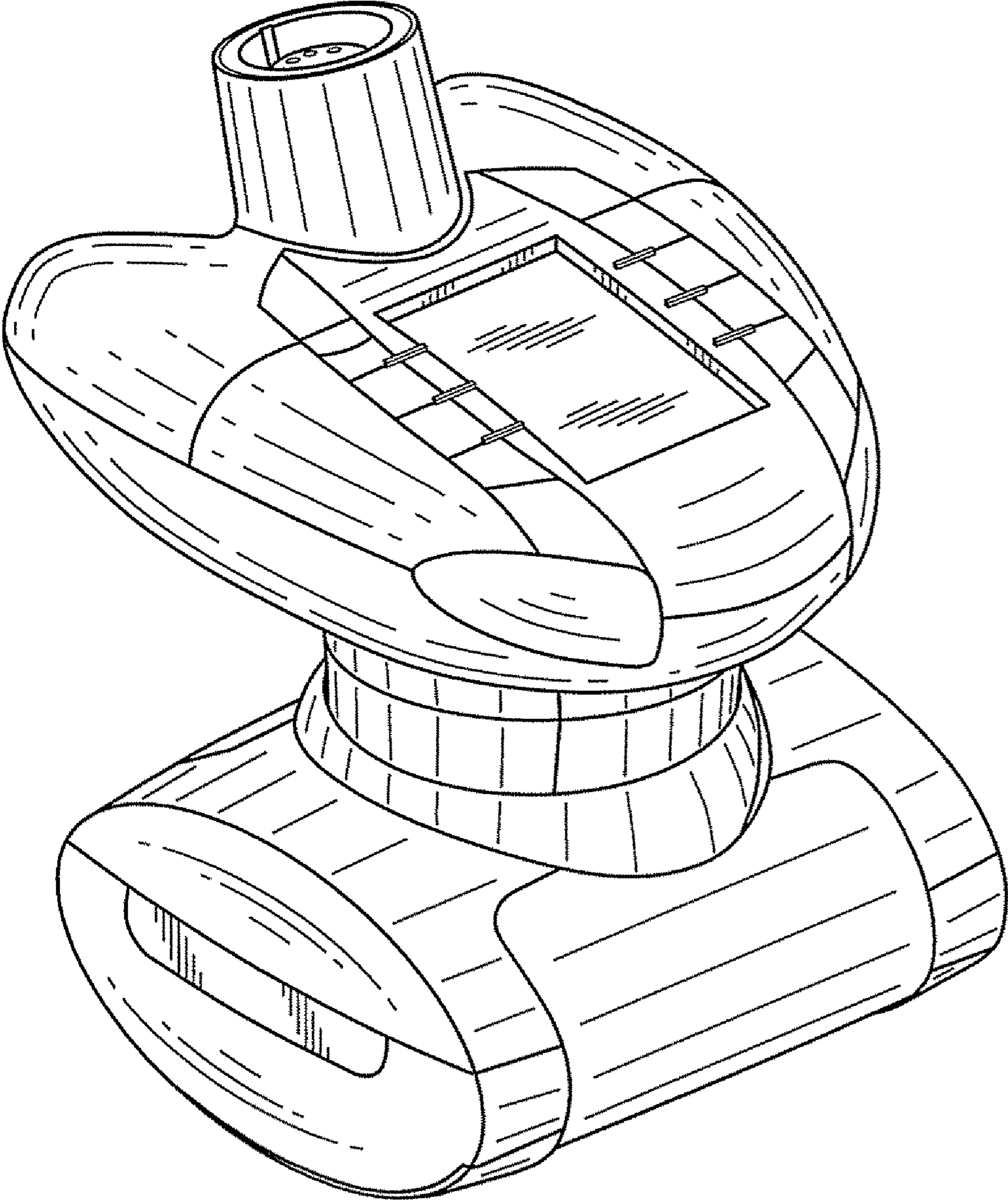


FIG. 1

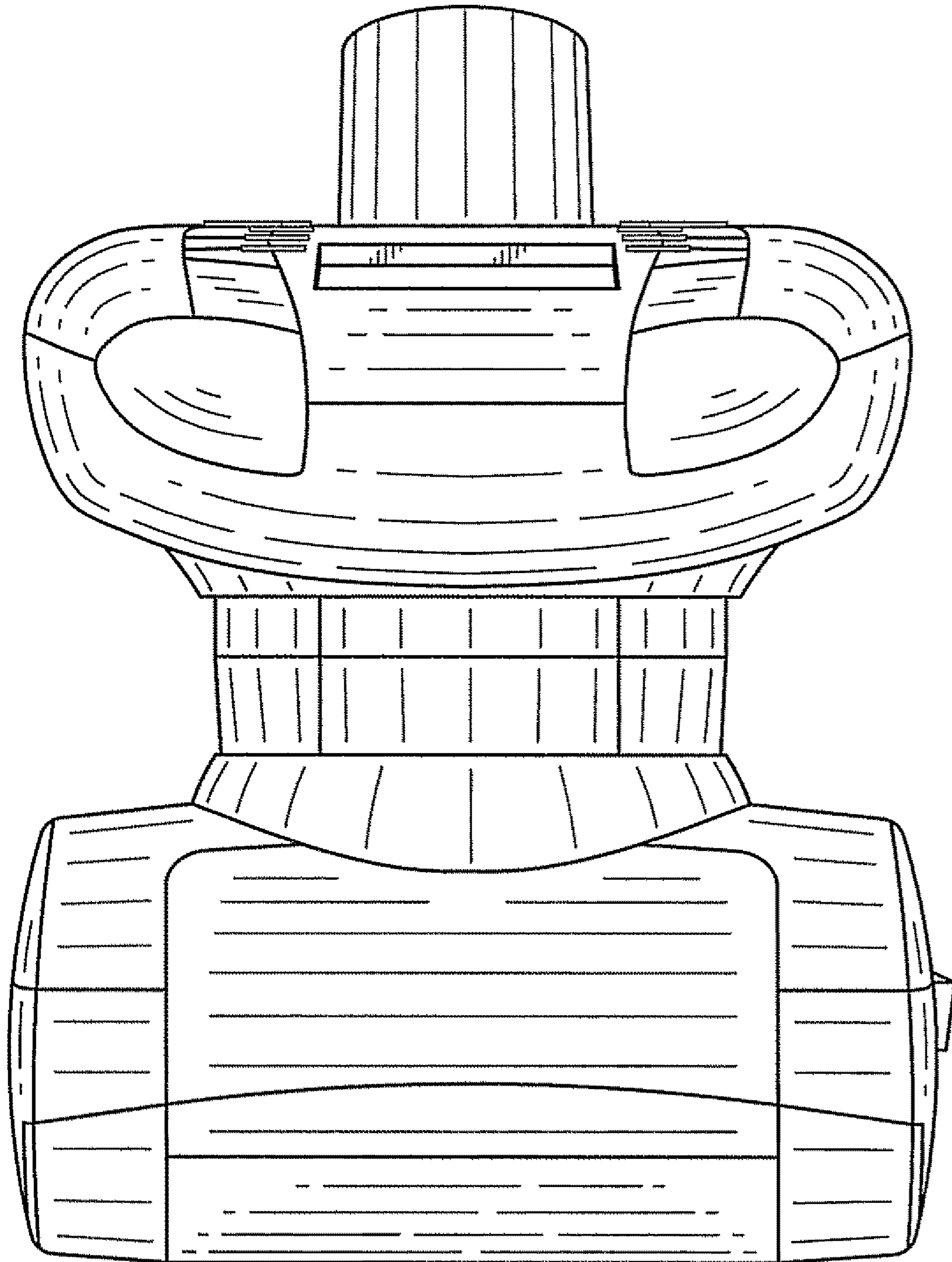


FIG. 2

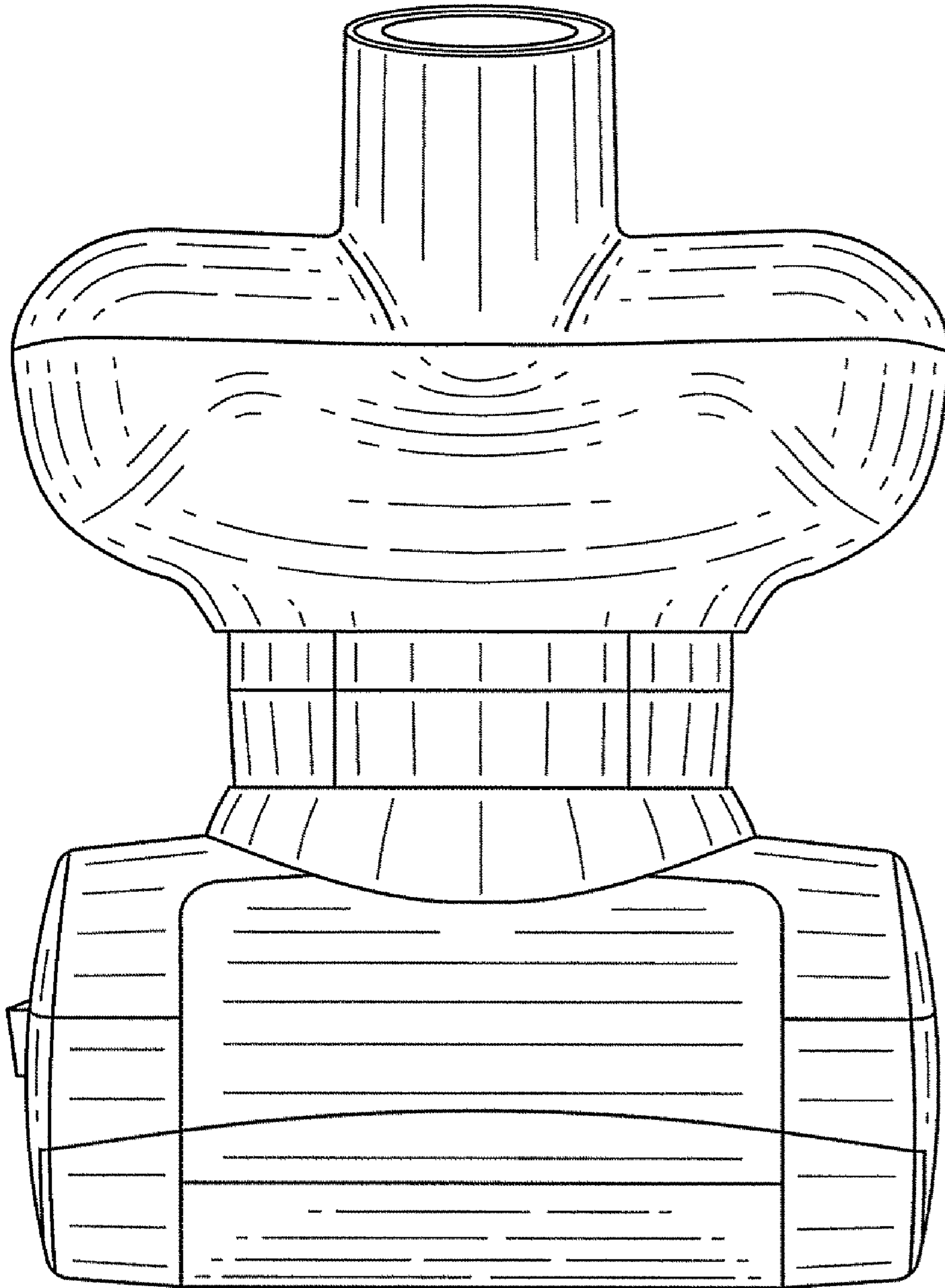


FIG. 3

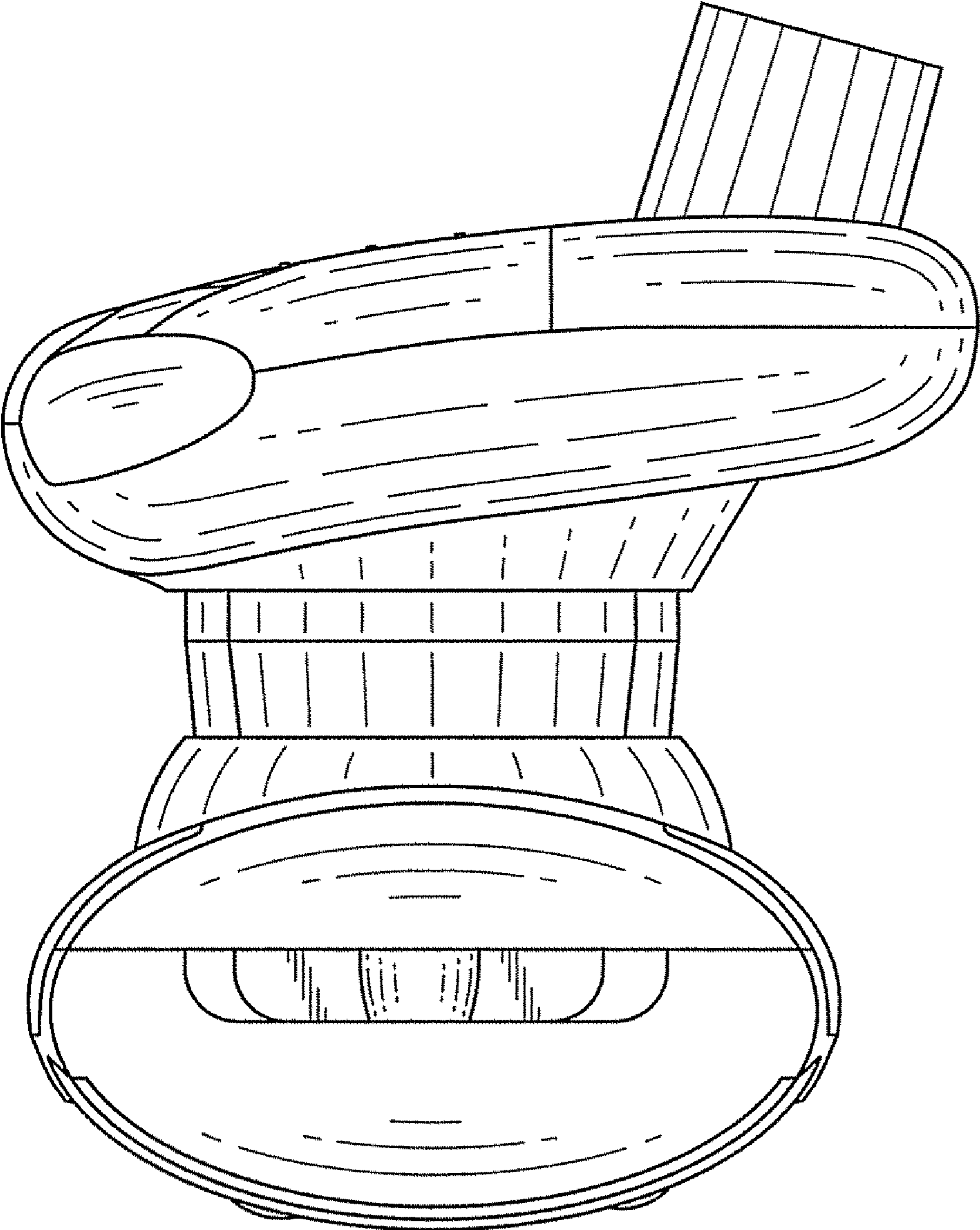


FIG. 4

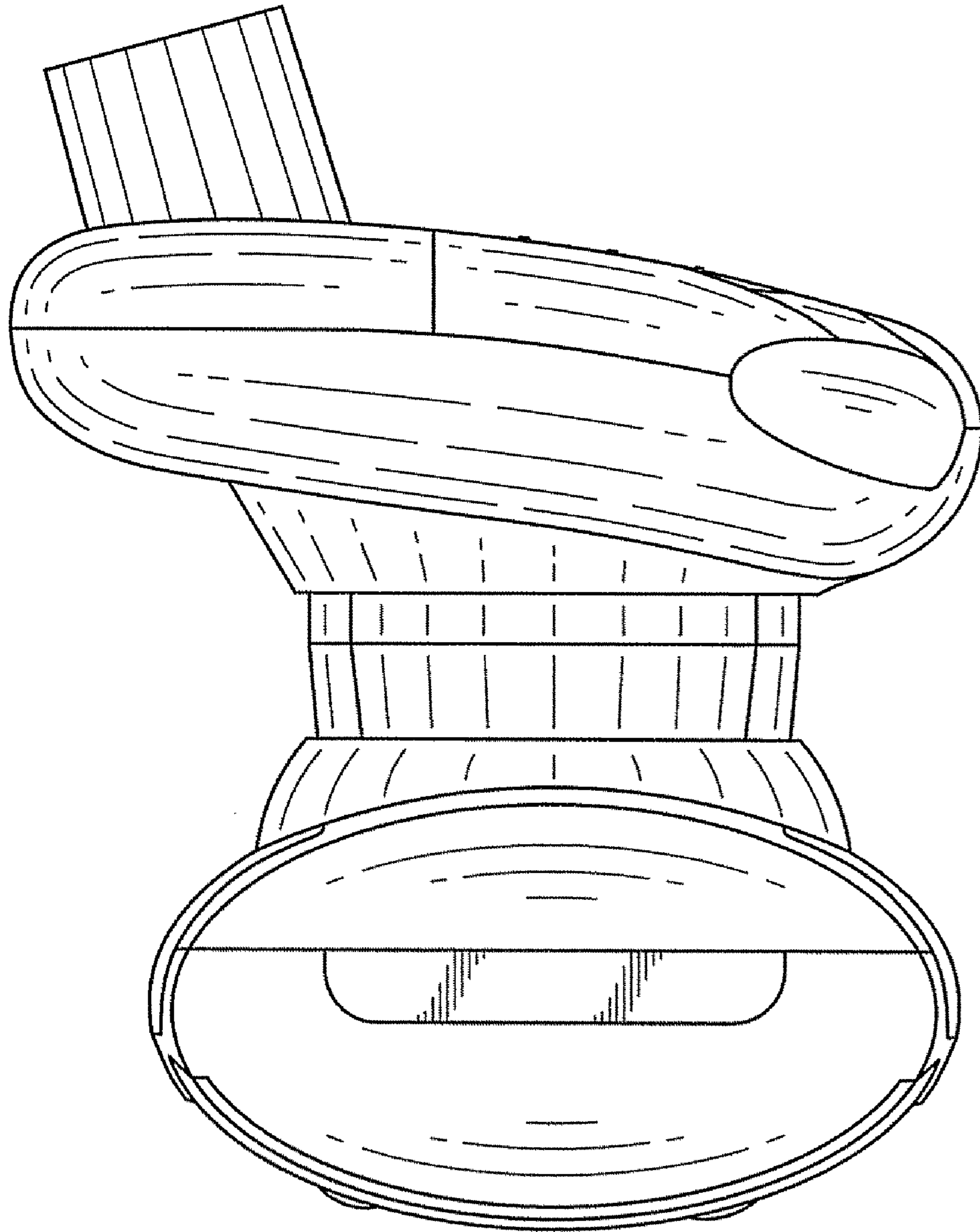


FIG. 5

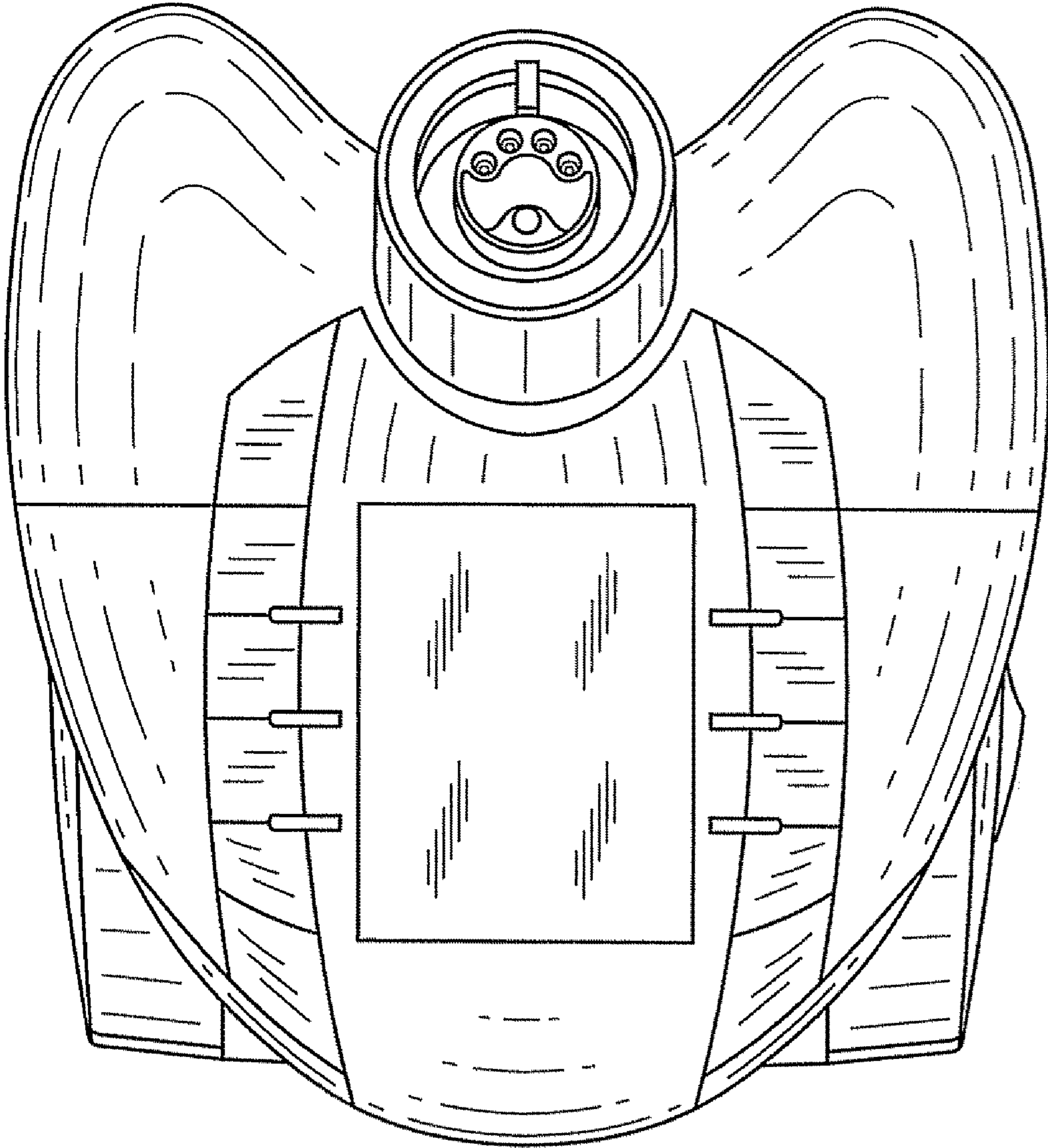


FIG. 6

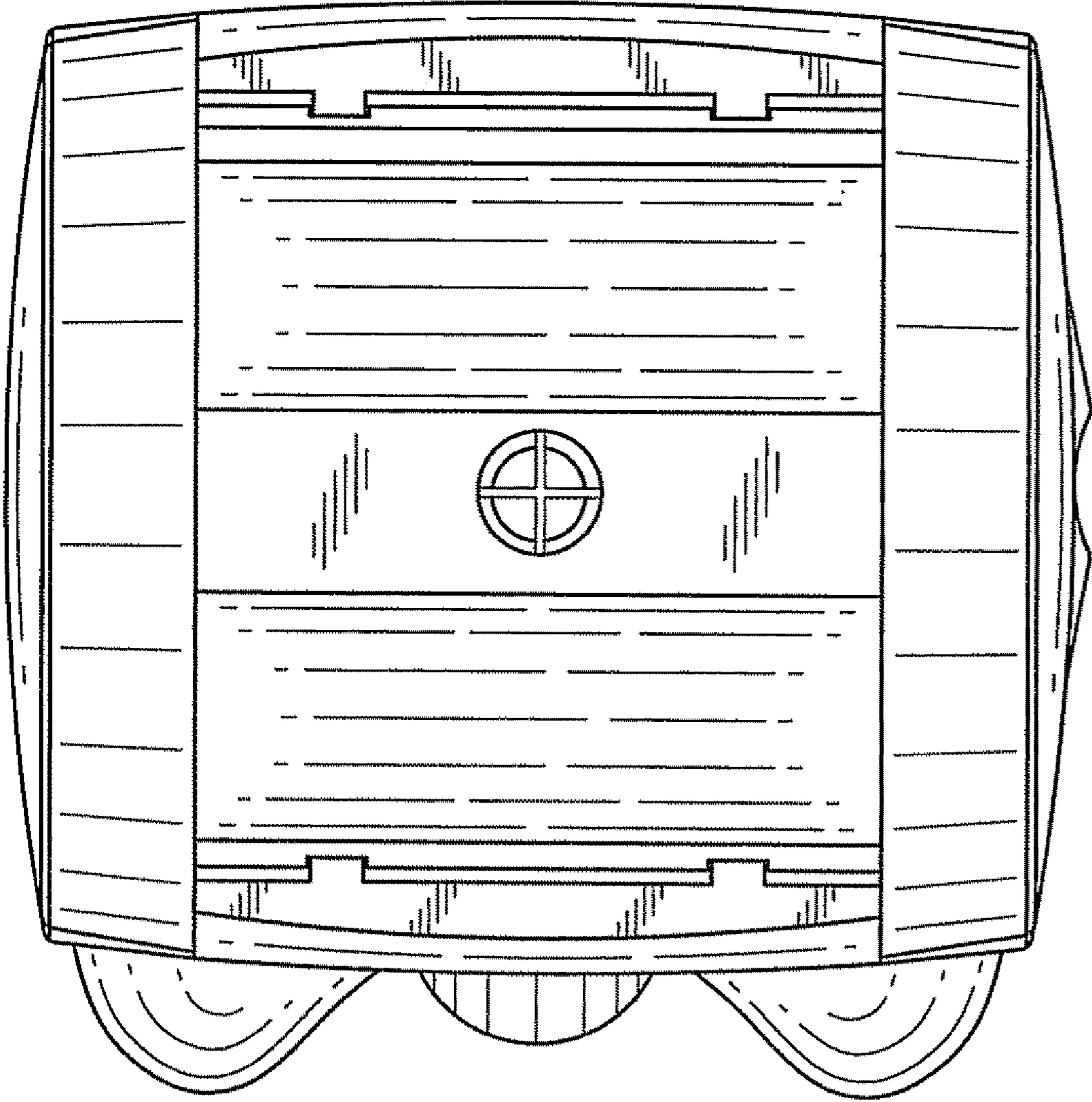


FIG. 7