



US00D650082S

(12) **United States Design Patent**
Roggenkamp

(10) **Patent No.:** **US D650,082 S**

(45) **Date of Patent:** **** Dec. 6, 2011**

(54) **SLEEP AID**

(76) **Inventor:** **Kelly D. Roggenkamp**, Georgetown, IN (US)

(**) **Term:** **14 Years**

(21) **Appl. No.:** **29/383,781**

(22) **Filed:** **Jan. 21, 2011**

(51) **LOC (9) Cl.** **24-01**

(52) **U.S. Cl.** **D24/184; D8/366**

(58) **Field of Classification Search** D24/110, D24/110.1, 127-128, 171, 183-184, 190-191, D24/231; D6/323; D8/37, 40, 363, 365-367, D8/349, 394-395, 380-381, 371-373, 353-354, D8/404; D12/223, 51; D21/662, 789; D23/441; 248/15, 208, 210, 220.22, 243, 265, 267; D34/35; D25/119, 126, 131-132; 52/426, 52/506.06, 506.07, 686-687

See application file for complete search history.

(56) **References Cited**

U.S. PATENT DOCUMENTS

1,856,847	A *	5/1932	Gates	248/215
2,284,058	A	5/1942	Kaiser et al.	
2,528,370	A	10/1950	Johnston	
4,700,697	A	10/1987	Mundell et al.	
4,782,824	A	11/1988	Davies	
D300,089	S *	3/1989	Edwards	D6/323
D313,742	S *	1/1991	Ruff	248/210
D315,289	S *	3/1991	Rankin	D8/373
D342,359	S *	12/1993	Dupont	D34/35
D406,050	S *	2/1999	DeSouza	D8/363
D407,821	S *	4/1999	Steele	D24/190
D410,089	S *	5/1999	Schiavoni	D24/191
D410,192	S *	5/1999	Giese	D8/354
D411,951	S *	7/1999	Baranski et al.	D8/363
6,231,535	B1	5/2001	Mainiero et al.	
D455,334	S *	4/2002	Ivankovic	D8/366
D456,744	S *	5/2002	Shavel et al.	D12/51
D459,974	S *	7/2002	Hawker	D8/354
D465,724	S *	11/2002	Goodman et al.	D8/367
D470,391	S *	2/2003	Adams	D8/349
D474,951	S *	5/2003	Levien et al.	D8/40

D487,122	S *	2/2004	Farris, Jr.	D21/662
6,725,511	B1	4/2004	Rodseth	
6,786,554	B1	9/2004	Zahiri	
D508,103	S *	8/2005	Foss	D21/789
D536,437	S *	2/2007	Pickett	D23/411
D544,766	S *	6/2007	Hayes et al.	D8/37
D550,849	S *	9/2007	Baker	D24/191
D557,120	S *	12/2007	Snell	D8/372
D559,081	S *	1/2008	Myers	D8/354
D573,448	S *	7/2008	Young, IV	D8/356
D573,449	S *	7/2008	Goodman et al.	D8/371

(Continued)

Primary Examiner — T. Chase Nelson

Assistant Examiner — Mark Cavanna

(74) *Attorney, Agent, or Firm* — Robert H. Eichenberger; Scott W. Higdon; Middleton Reutlinger

(57) **CLAIM**

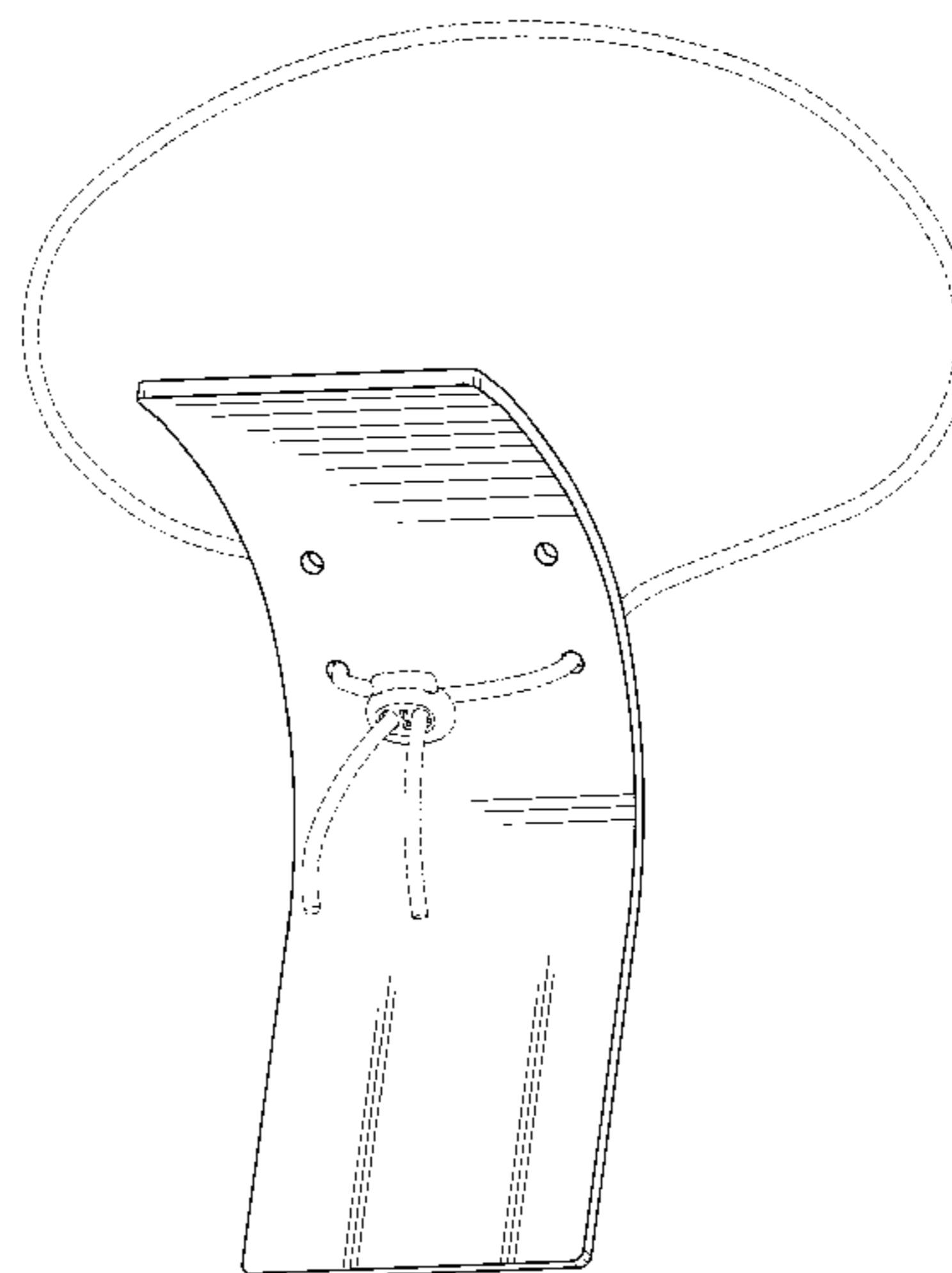
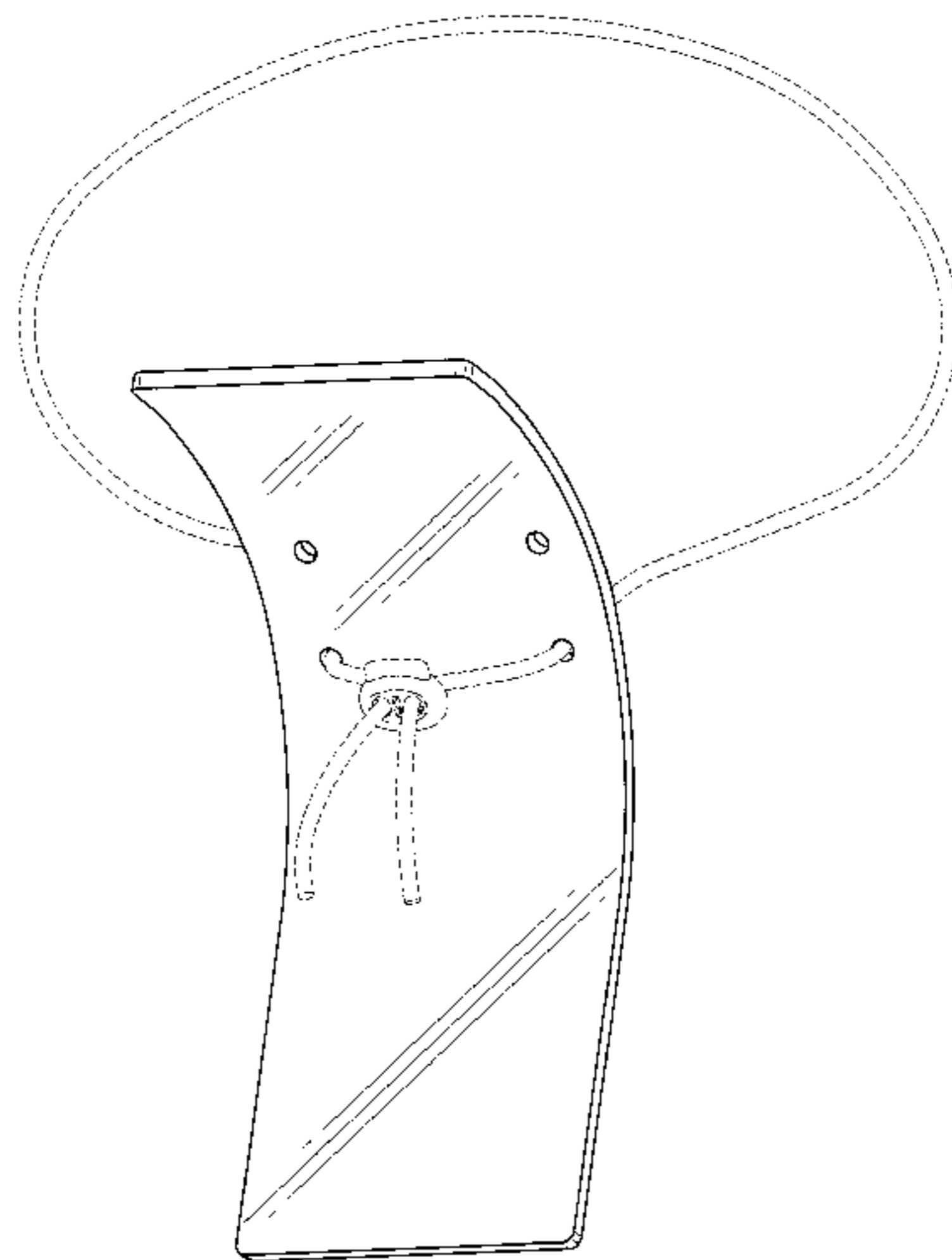
The ornamental design for a sleep aid, as shown and described.

DESCRIPTION

FIG. 1 is a front left side perspective view of a first embodiment of a sleep aid showing my design; FIG. 2 is a front elevational view thereof; FIG. 3 is a rear elevational view thereof; FIG. 4 is a right side elevational view thereof; FIG. 5 is a left side elevational view thereof; FIG. 6 is a top plan view thereof; FIG. 7 is a bottom plan view thereof; FIG. 8 is a front left side perspective view of a second embodiment of the sleep aid of my design; FIG. 9 is a front elevational view thereof; FIG. 10 is a rear elevational view thereof; FIG. 11 is a right side elevational view thereof; FIG. 12 is a left side elevational view thereof; FIG. 13 is a top plan view thereof; and, FIG. 14 is a bottom plan view thereof.

The broken lines showing environmental structure are for illustrative purposes only and form no part of the claimed design.

1 Claim, 14 Drawing Sheets



US D650,082 S

Page 2

U.S. PATENT DOCUMENTS

D585,356 S *	1/2009	Gillan et al.	D12/223	D629,673 S *	12/2010	Shaha et al.	D8/367
D592,760 S *	5/2009	Diener et al.	D24/231	2006/0266369 A1	11/2006	Atkinson et al.	
D596,015 S *	7/2009	Scarcello	D8/354	2008/0041374 A1	2/2008	Reddick	
D597,921 S *	8/2009	Krug	D12/223	2008/0223377 A1	9/2008	Kussick	
D608,190 S *	1/2010	Jimenez	D8/395	2009/0264802 A1	10/2009	Chen	
D615,187 S *	5/2010	Bowden	D24/110				

* cited by examiner

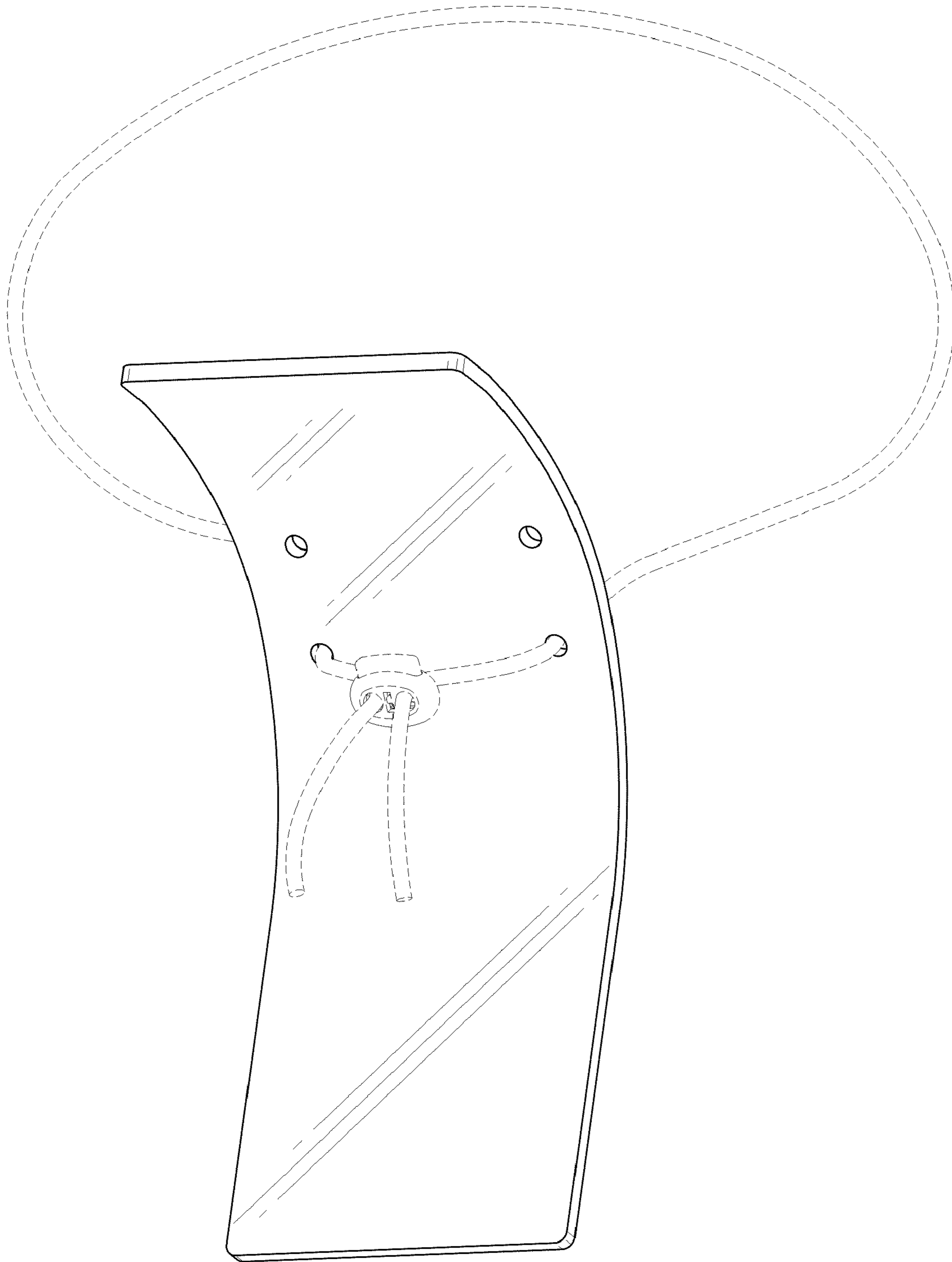


FIG. 1

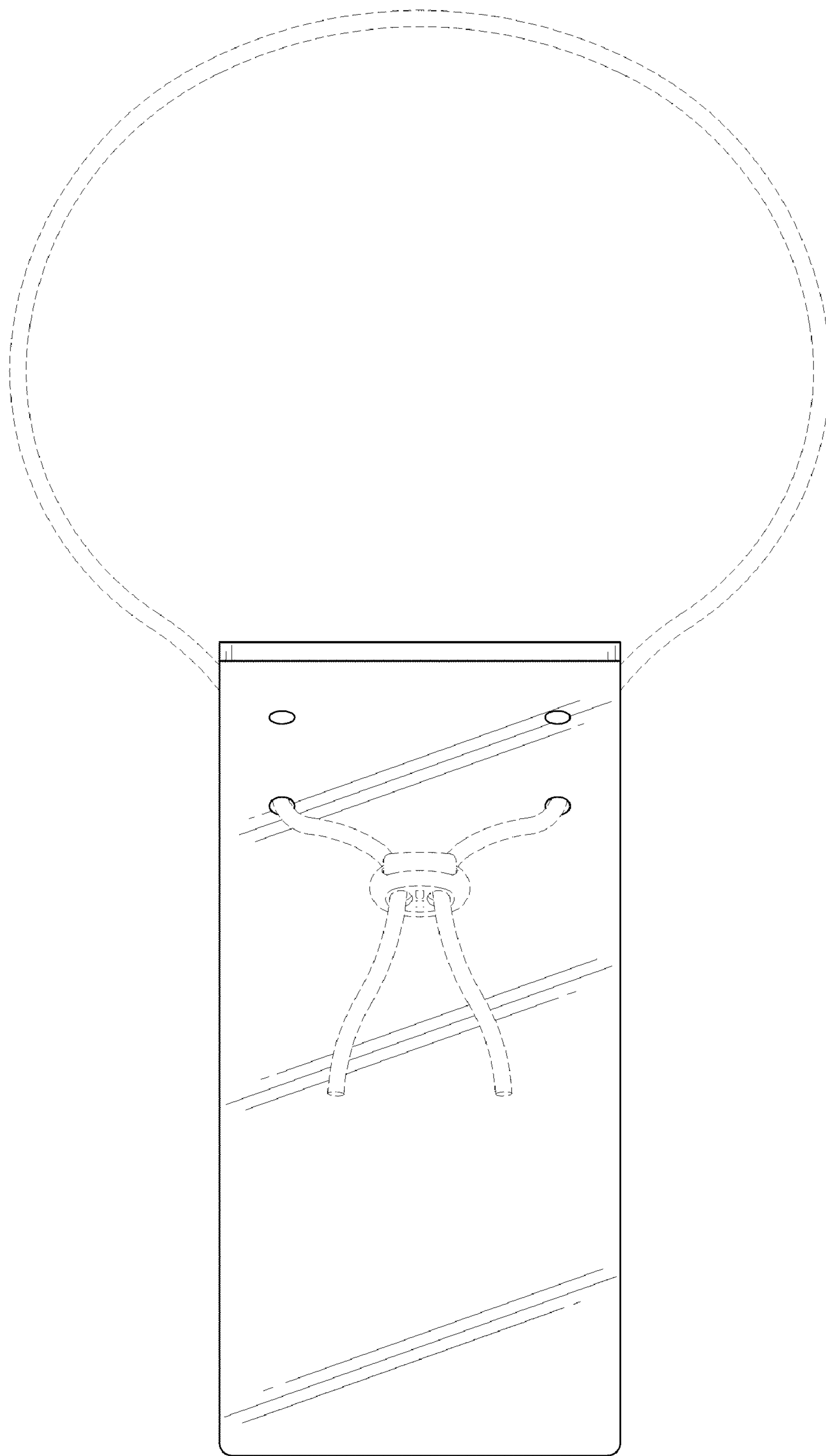


FIG. 2

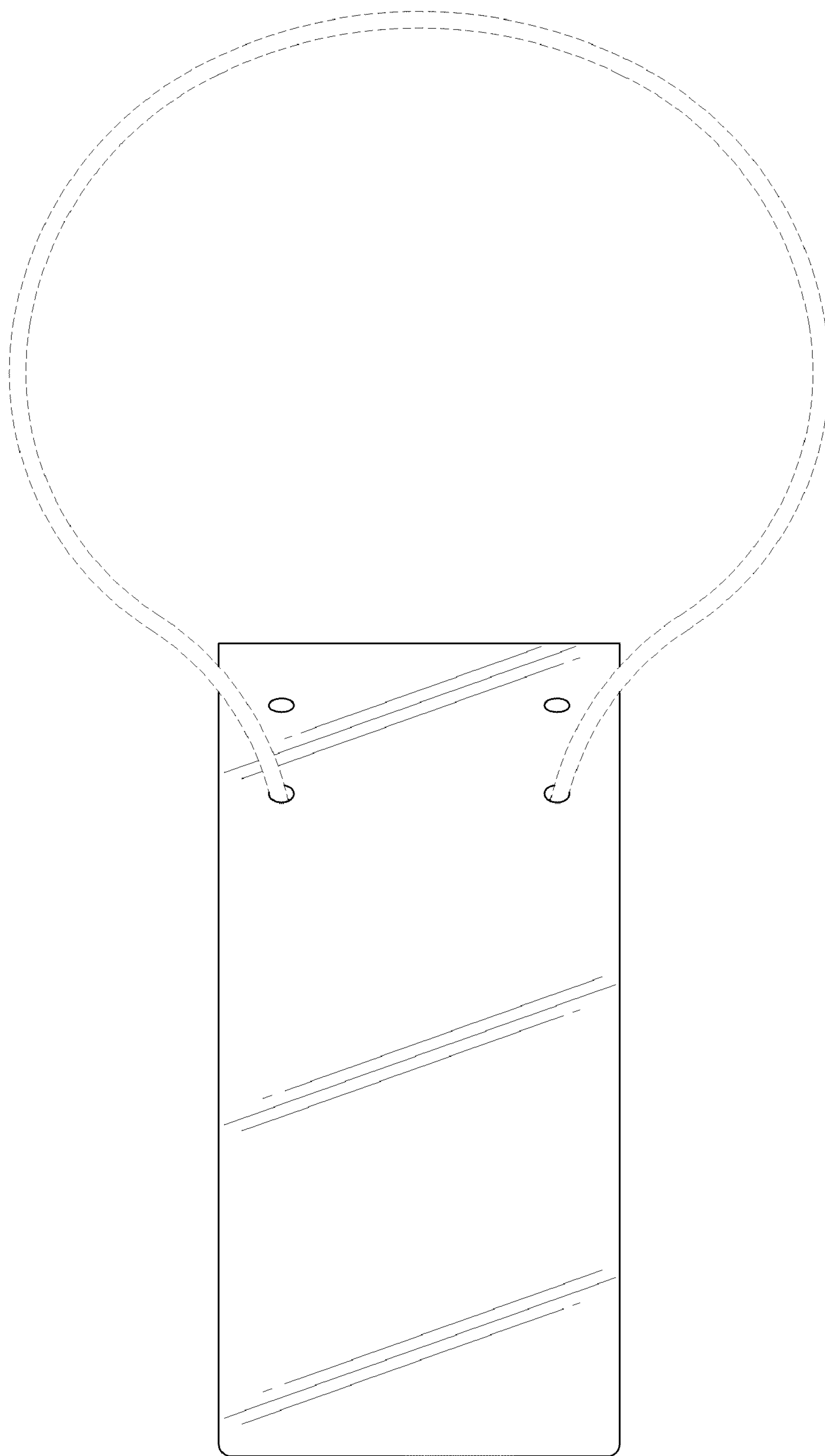


FIG. 3

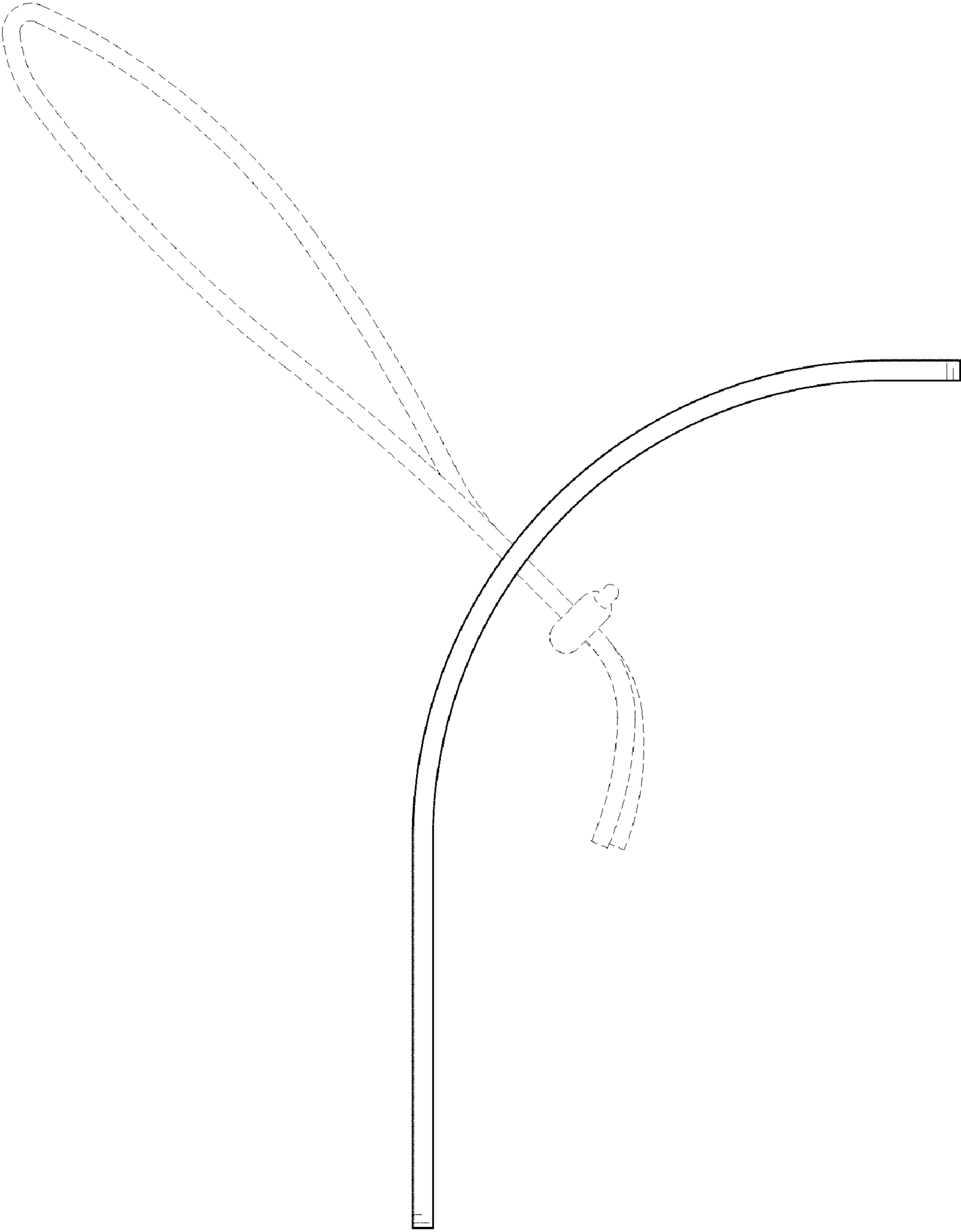


FIG. 4

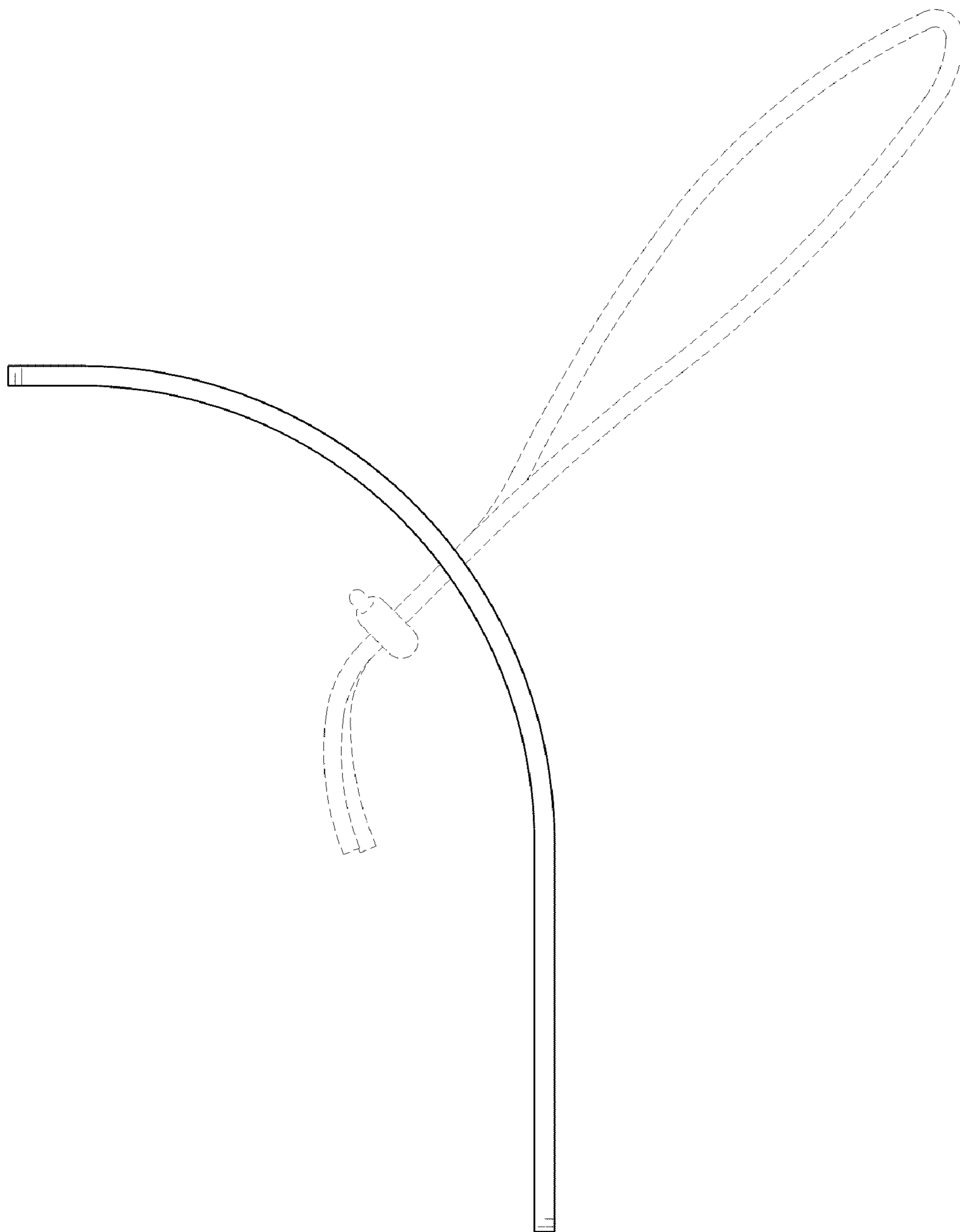


FIG. 5

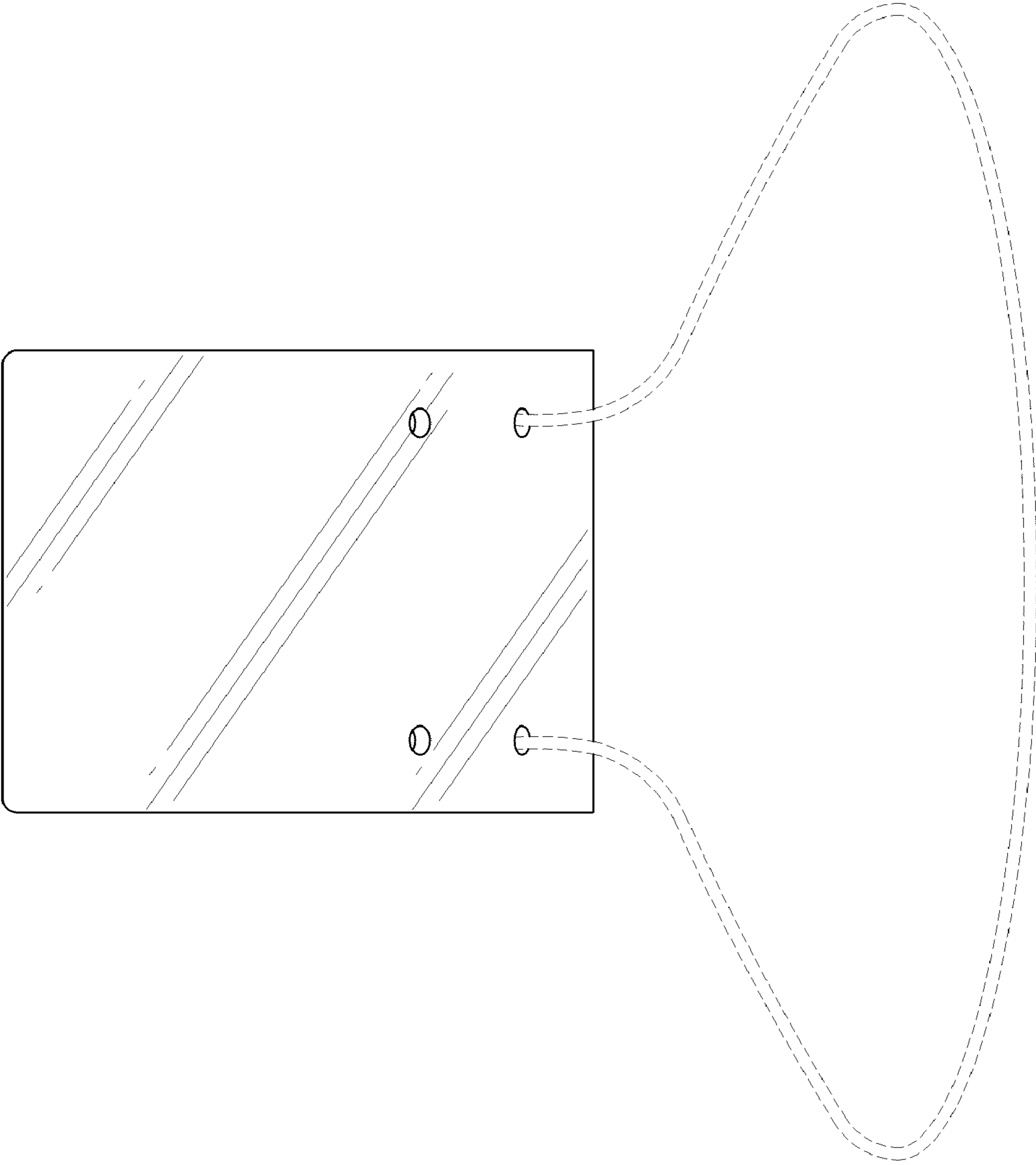


FIG. 6

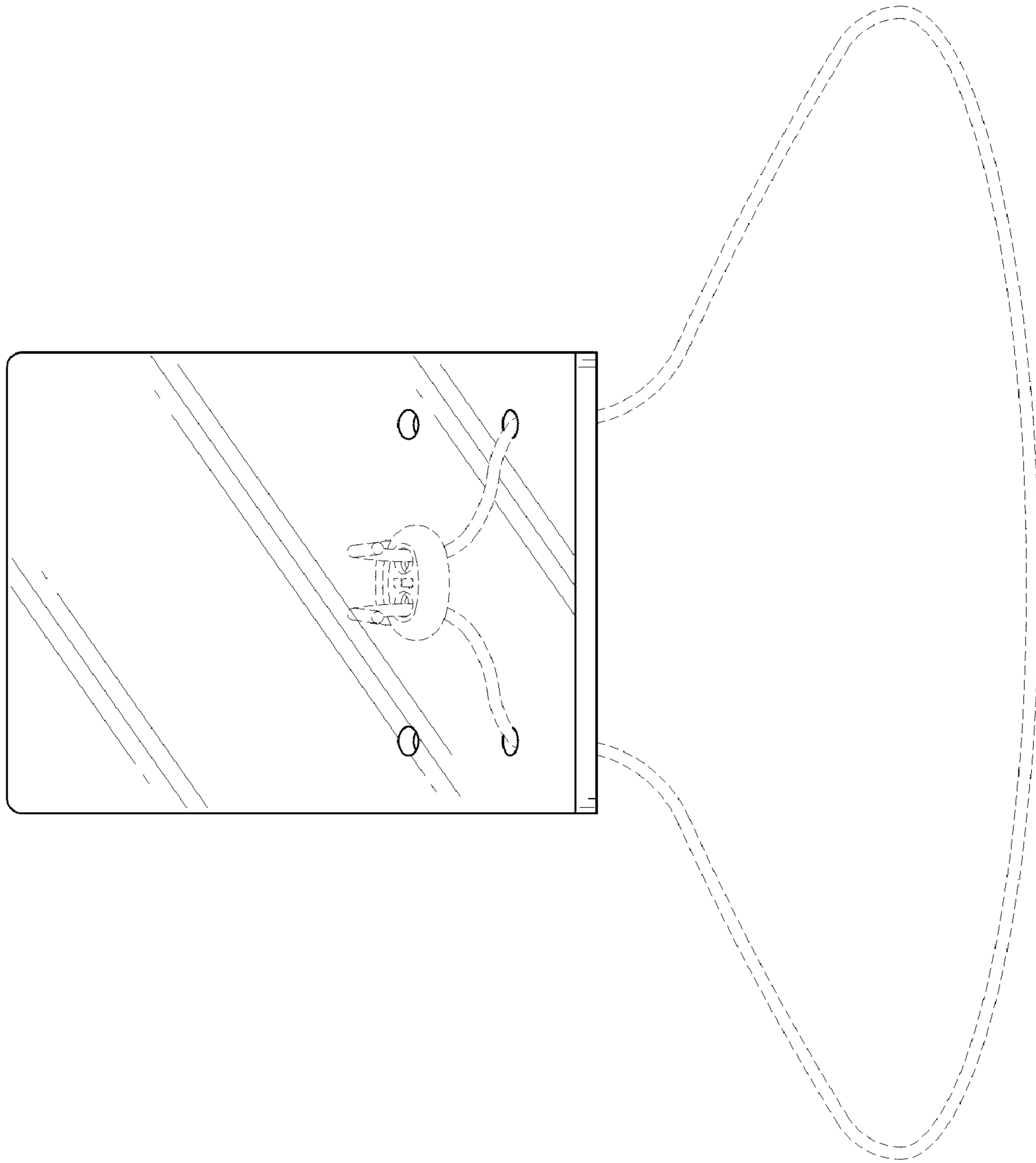


FIG. 7

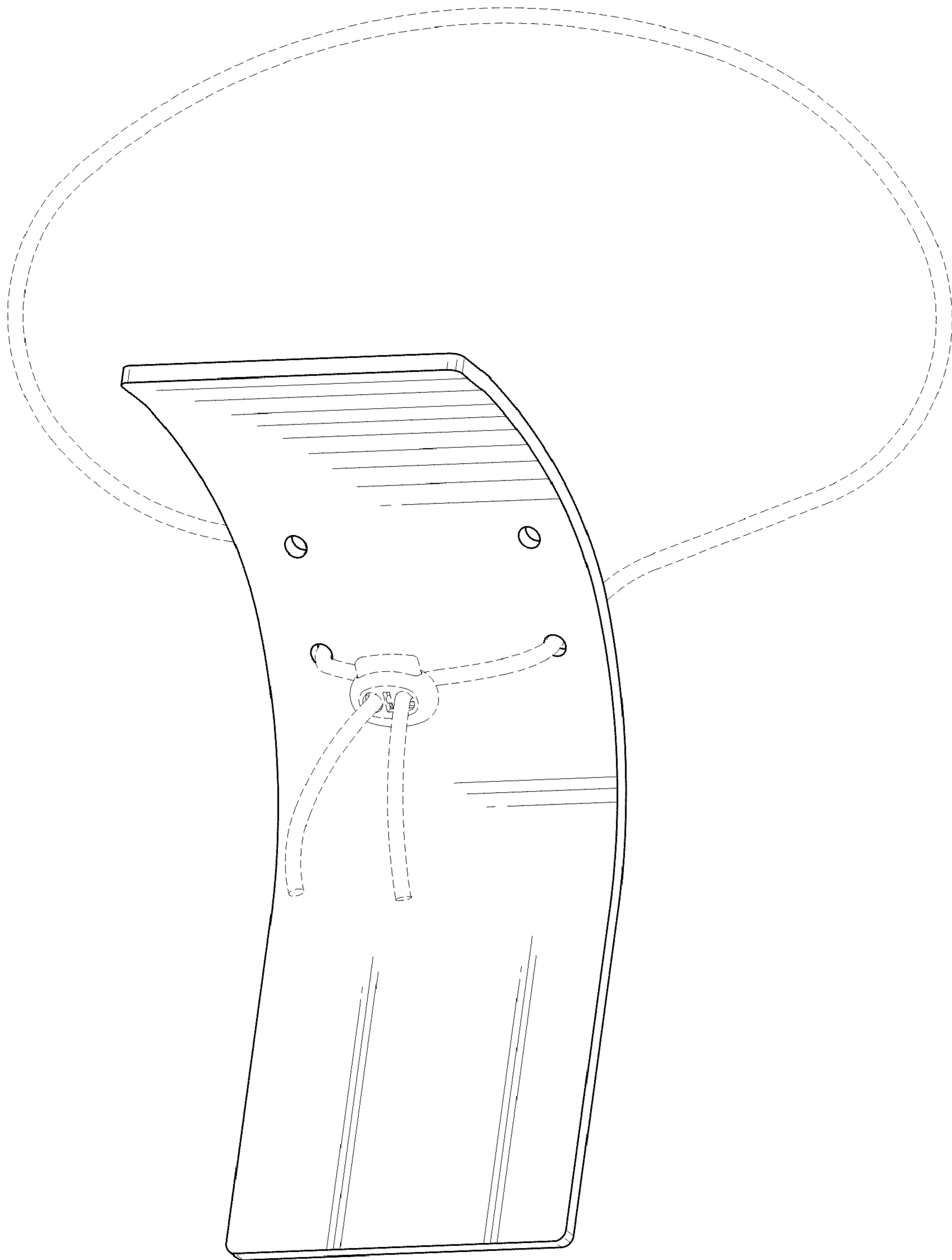


FIG. 8

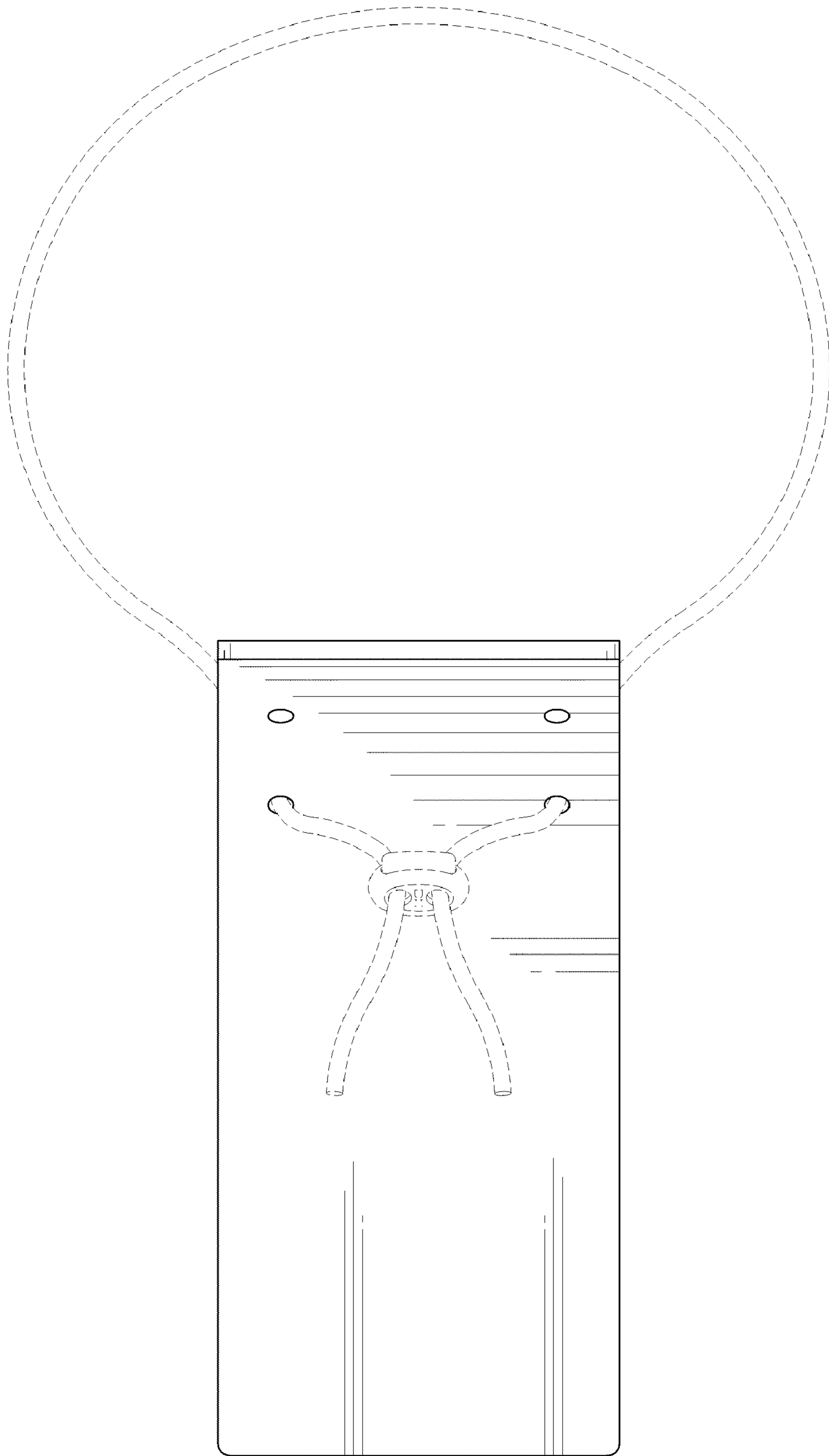


FIG. 9

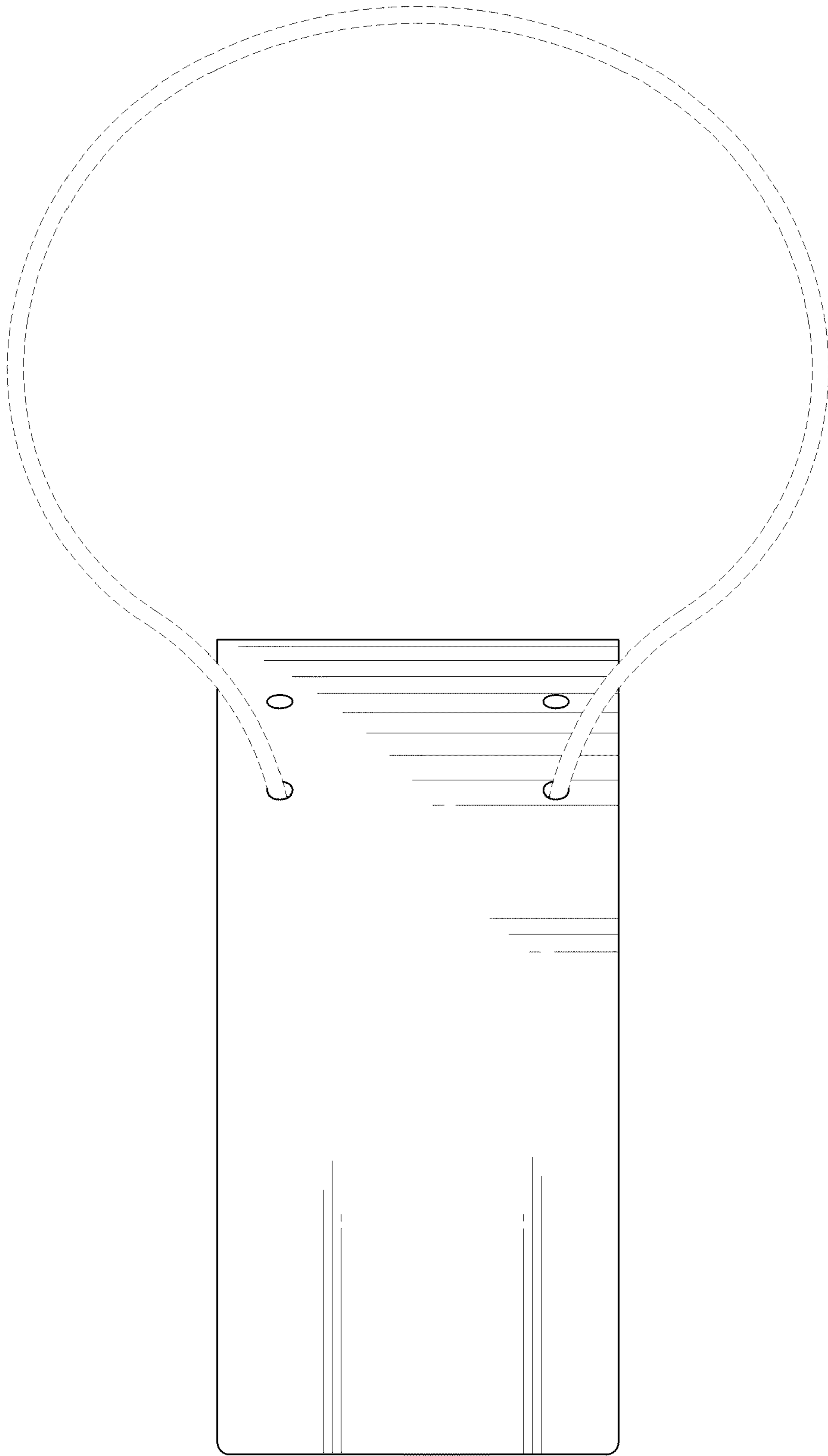


FIG. 10

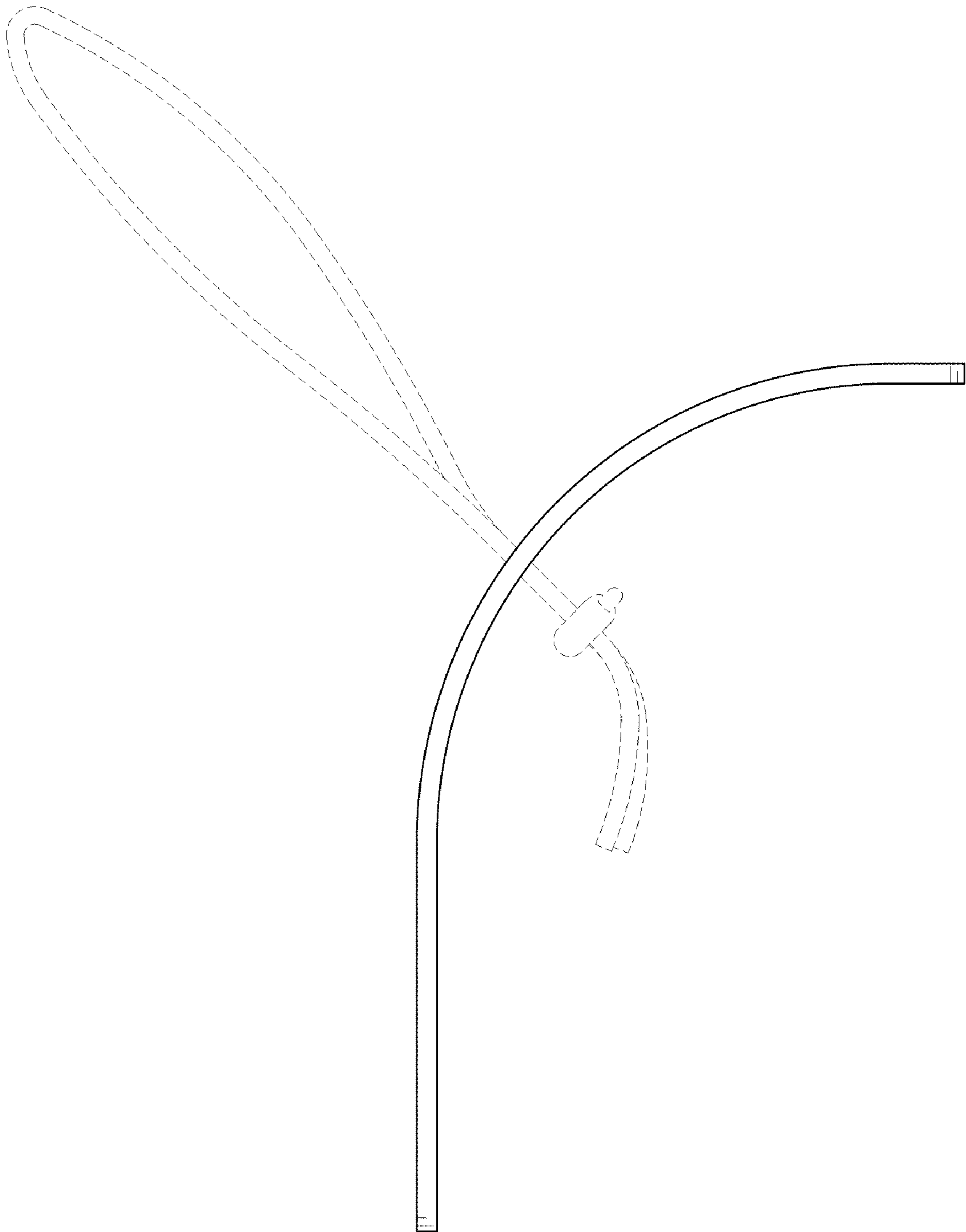


FIG. 11

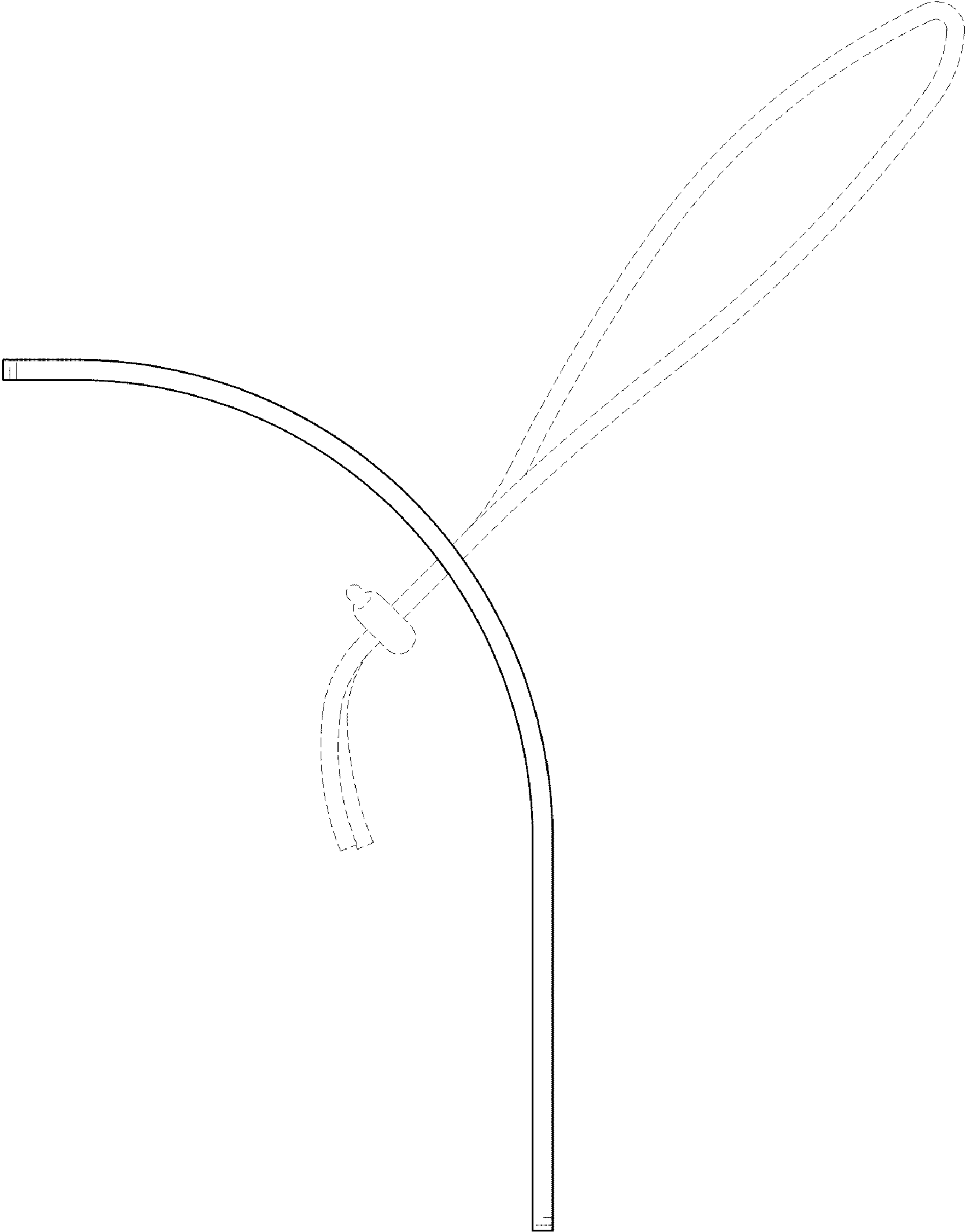


FIG. 12

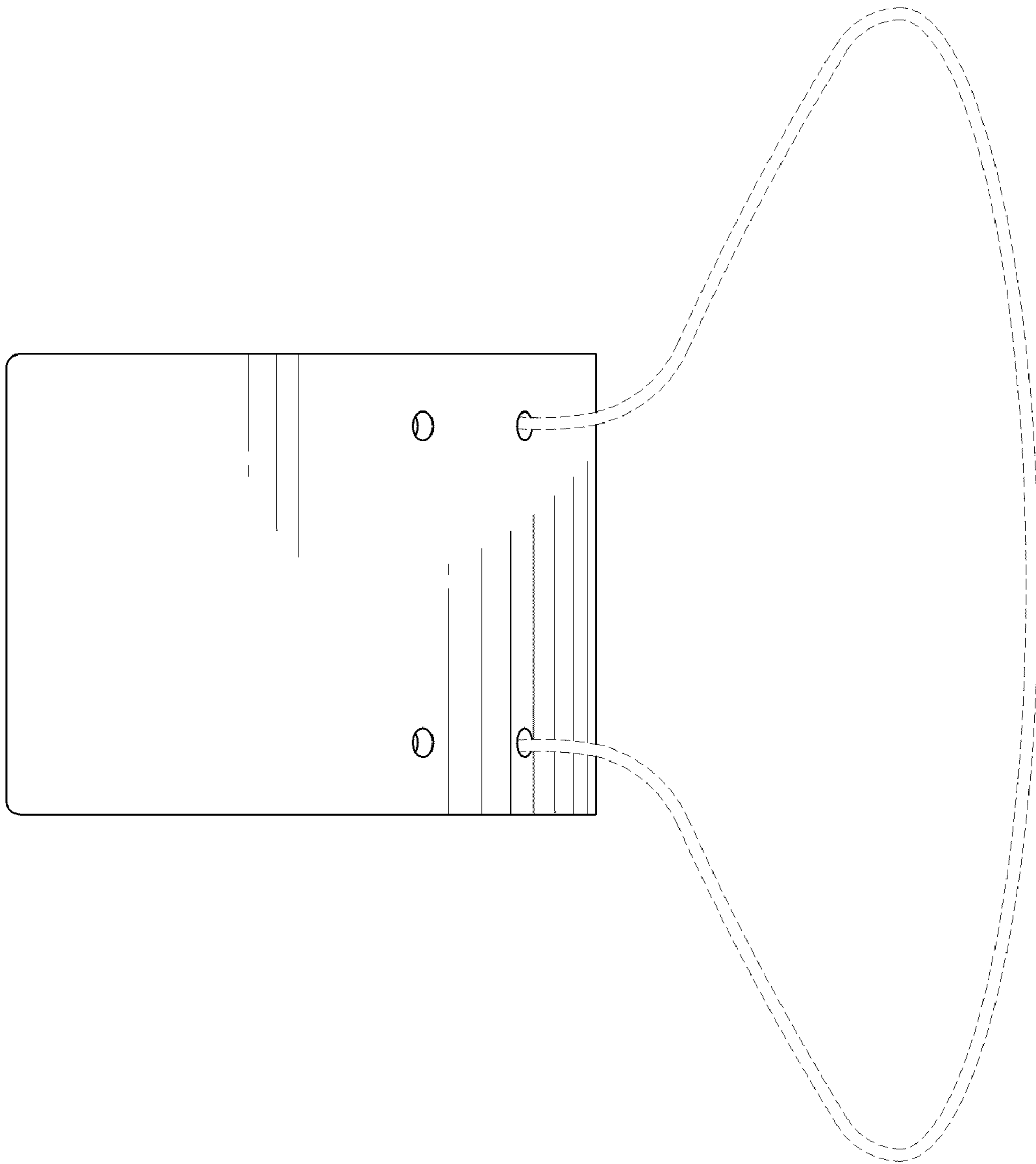


FIG. 13

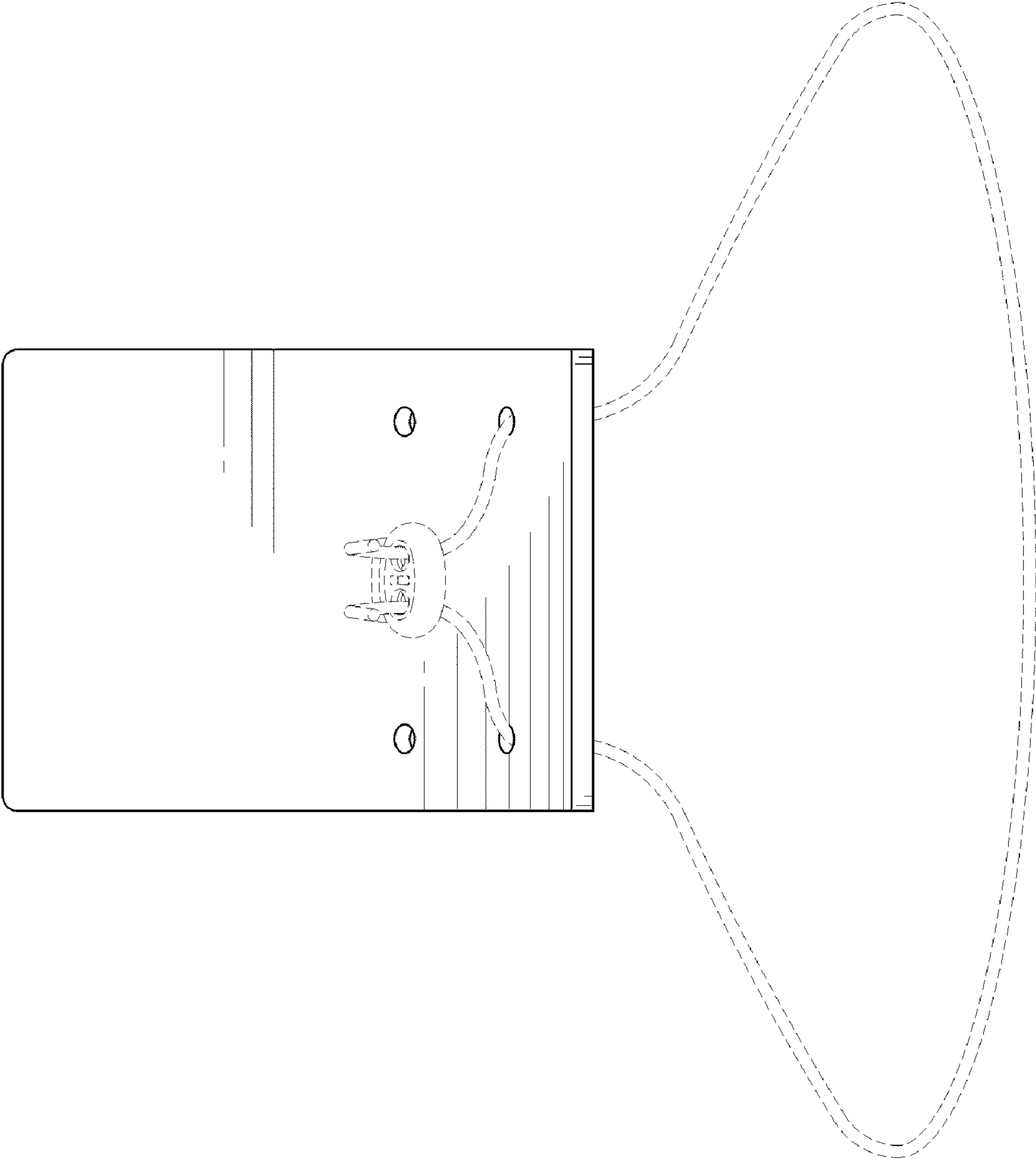


FIG. 14