



US00D650081S

(12) **United States Design Patent**
Lin

(10) **Patent No.:** **US D650,081 S**
(45) **Date of Patent:** **** Dec. 6, 2011**

(54) **TOOTH MOLD RETAINING FRAME**

(75) Inventor: **Chao-Hung Lin**, Taipei (TW)

(73) Assignee: **Song Young International Co.**, Taipei (TW)

(**) Term: **14 Years**

(21) Appl. No.: **29/388,239**

(22) Filed: **Mar. 25, 2011**

(51) **LOC (9) Cl.** **24-02**

(52) **U.S. Cl.** **D24/182**

(58) **Field of Classification Search** D24/181,
D24/152, 155-156, 176, 180, 182; 249/54;
433/49, 53-54, 57-58, 60-67
See application file for complete search history.

(56) **References Cited**

U.S. PATENT DOCUMENTS

4,382,787	A *	5/1983	Huffman	433/64
4,449,930	A *	5/1984	Huffman	433/64
4,509,919	A *	4/1985	Gerbellot-Barrillon	433/57
D306,206	S *	2/1990	Huffman	D24/182
5,766,007	A *	6/1998	Huffman	433/61
6,450,809	B1 *	9/2002	Iverson	433/64
7,686,278	B2 *	3/2010	Lin	249/54

* cited by examiner

Primary Examiner — Wan Laymon

(74) *Attorney, Agent, or Firm* — Chun-Ming Shih

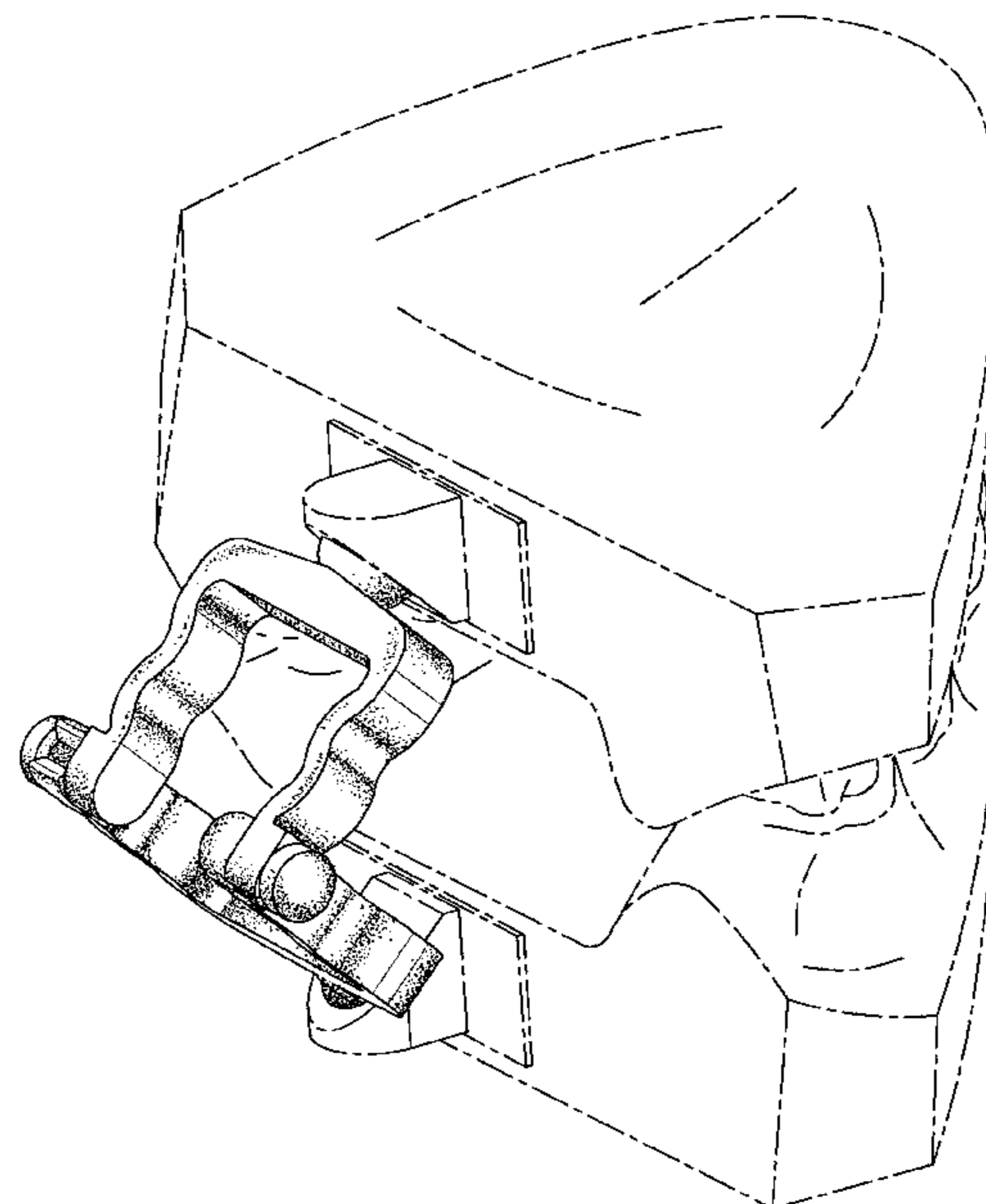
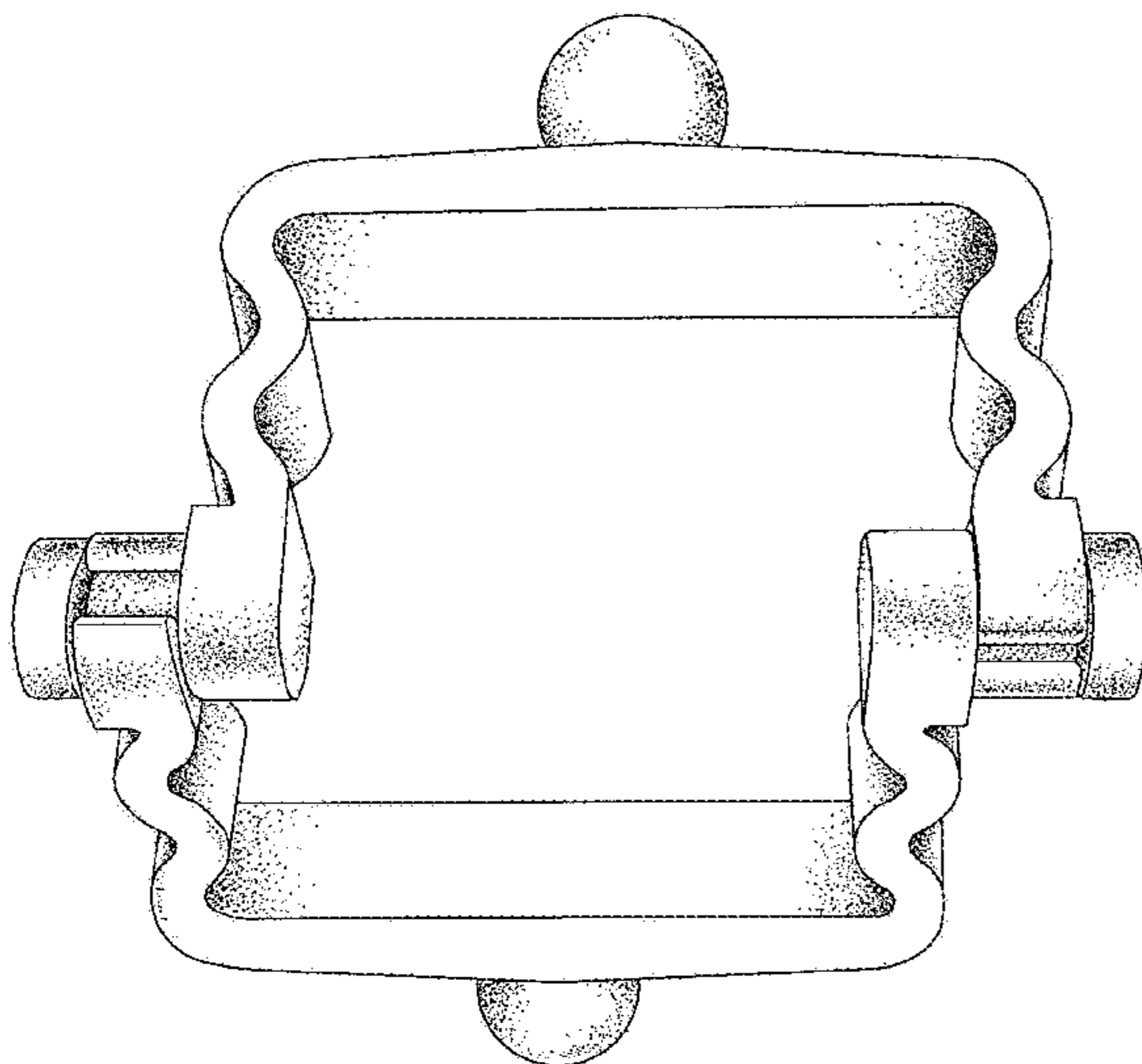
(57) **CLAIM**

The ornamental design for a tooth mold retaining frame, as shown and described.

DESCRIPTION

FIG. 1 is a perspective view of a tooth mold retaining frame showing my new design;
FIG. 2 is a front view of the design;
FIG. 3 is a rear view of the design;
FIG. 4 is a right side view of the design;
FIG. 5 is a left side view of the design;
FIG. 6 is a top view of the design;
FIG. 7 is a bottom view of the design; and,
FIG. 8 is another perspective view of a tooth mold retaining frame shown in an environment.
The dash-dot-dash broken line portion in FIG. 8 is included to show unclaimed subject matter only and forms no part of the claimed design.

1 Claim, 8 Drawing Sheets



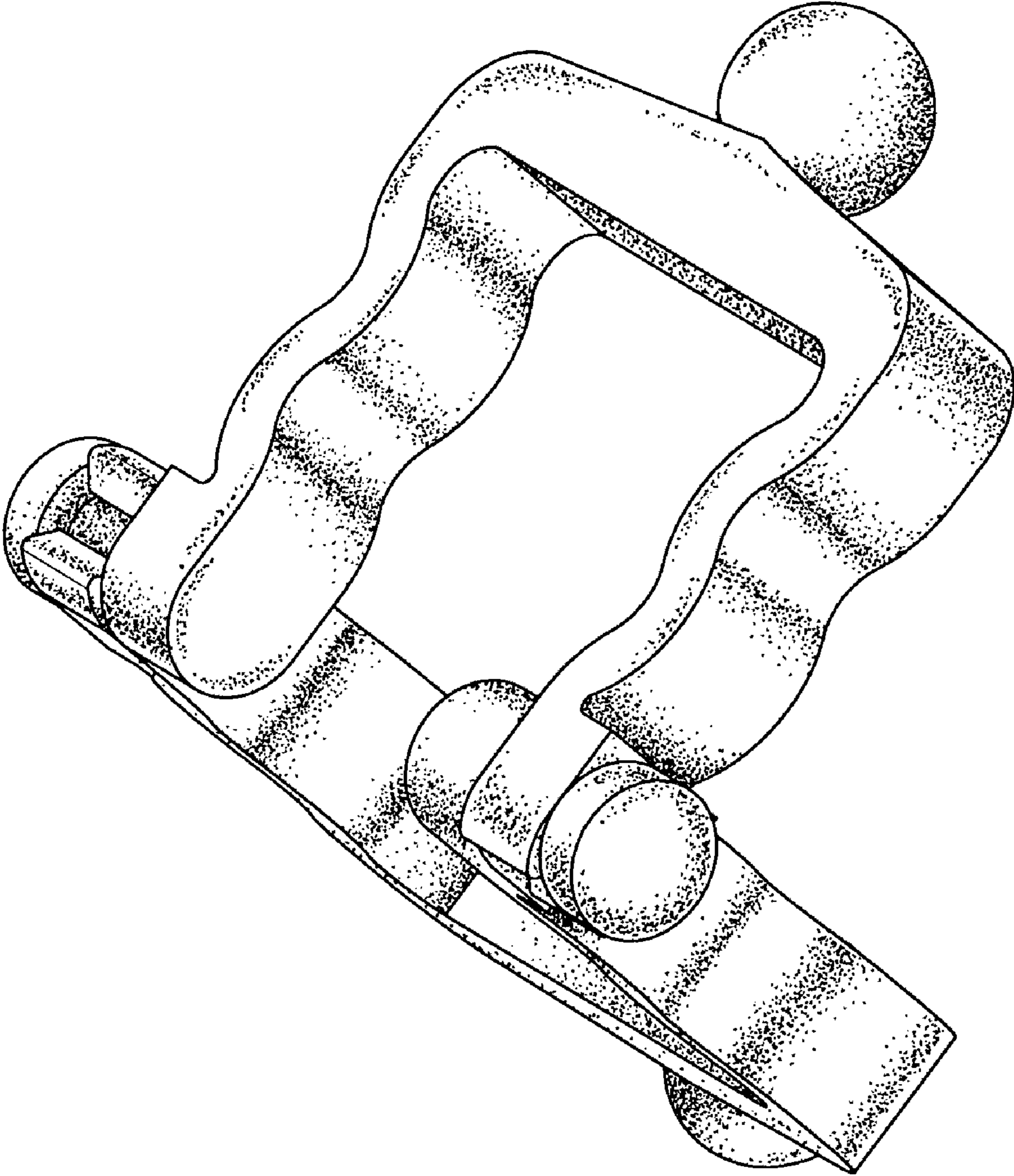


Fig. 1

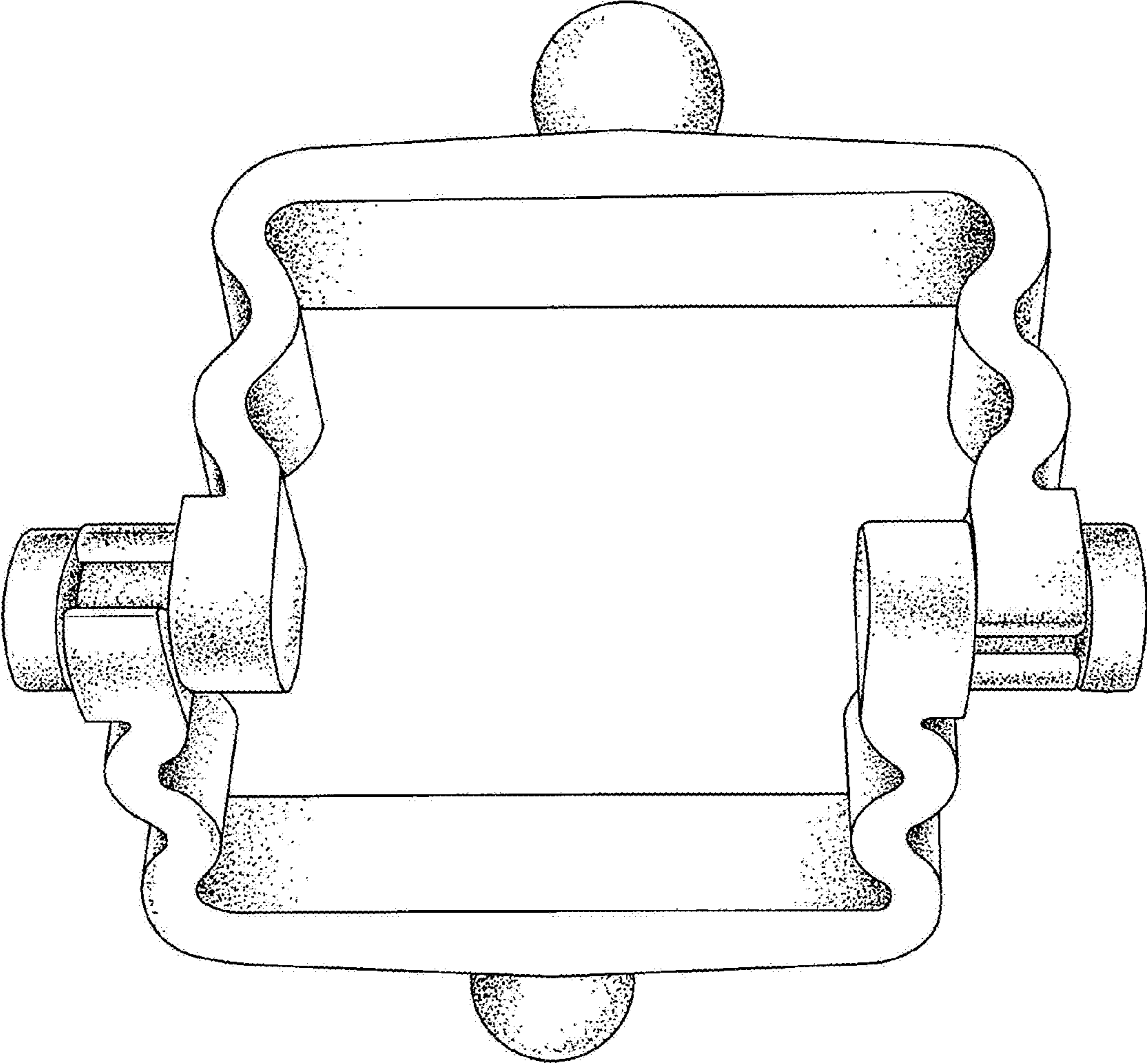


Fig. 2

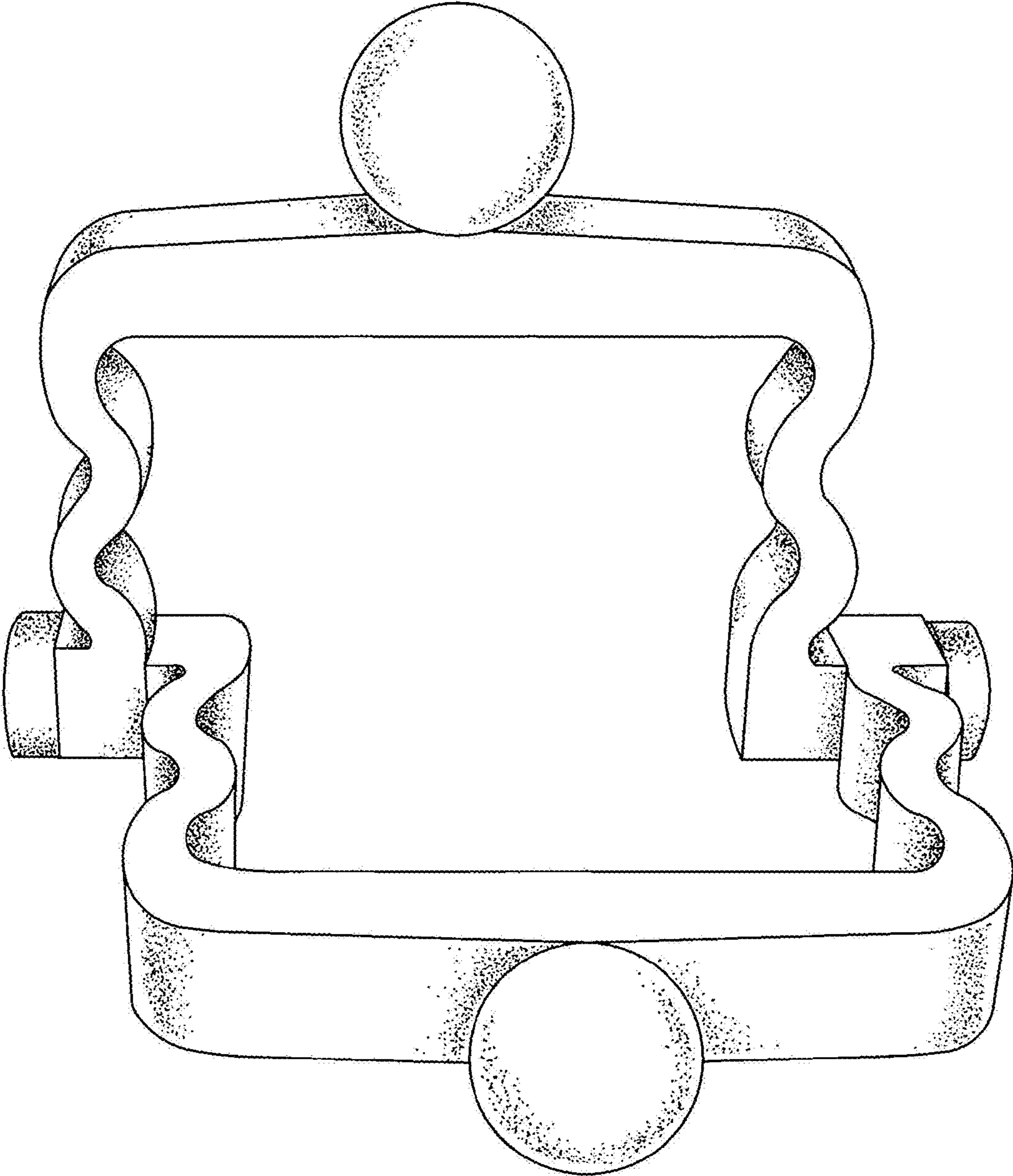


Fig. 3

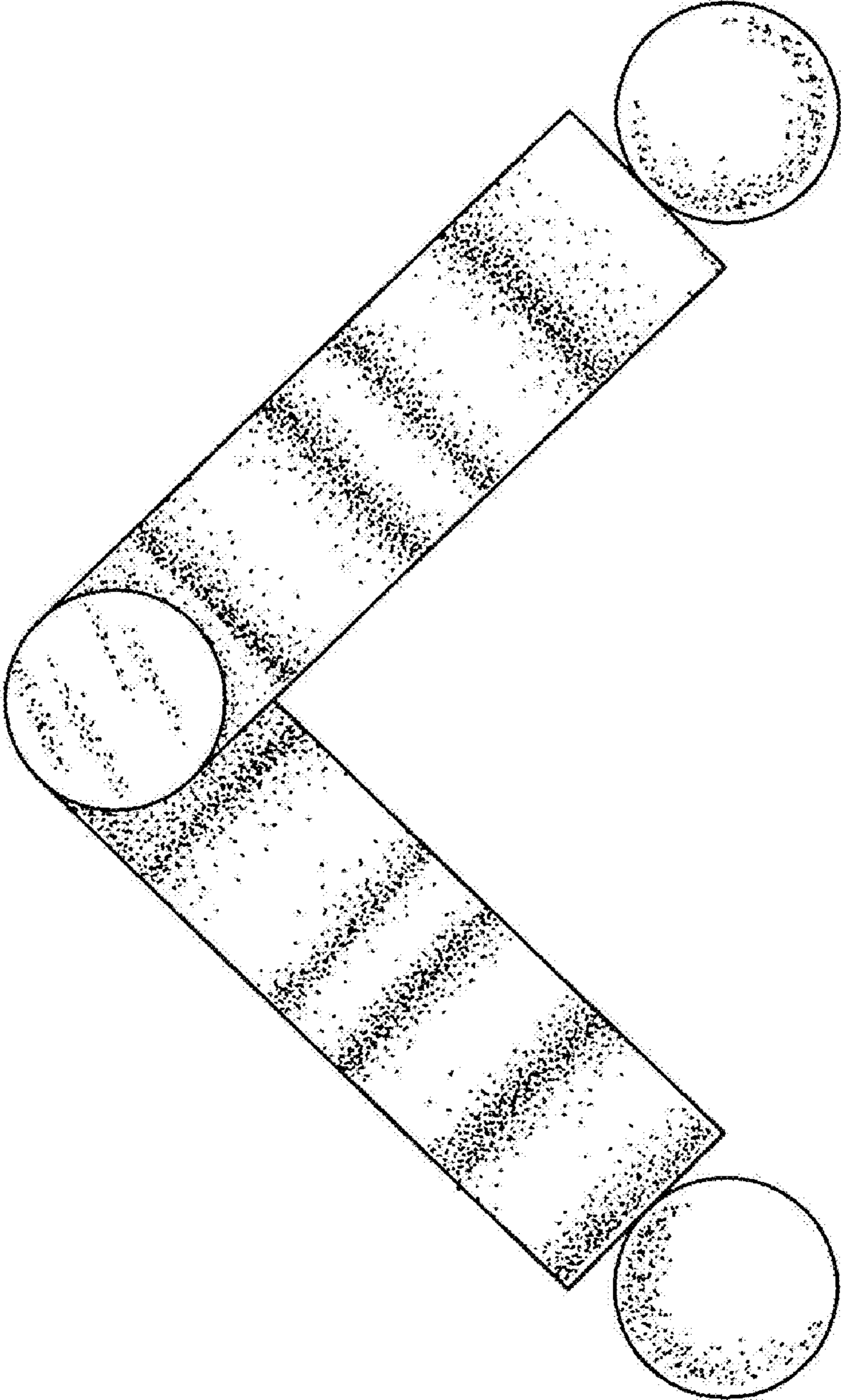


Fig. 4

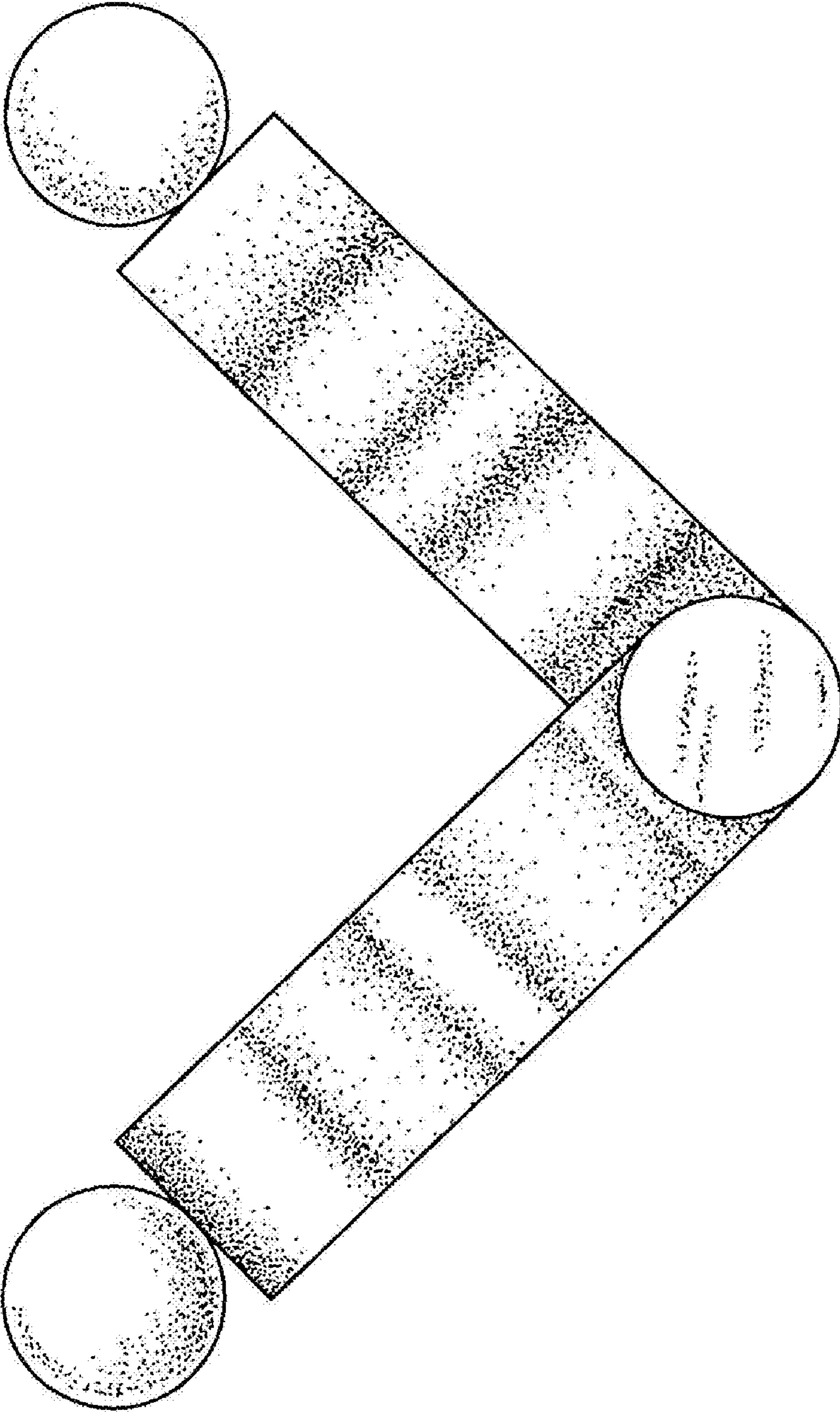


Fig. 5

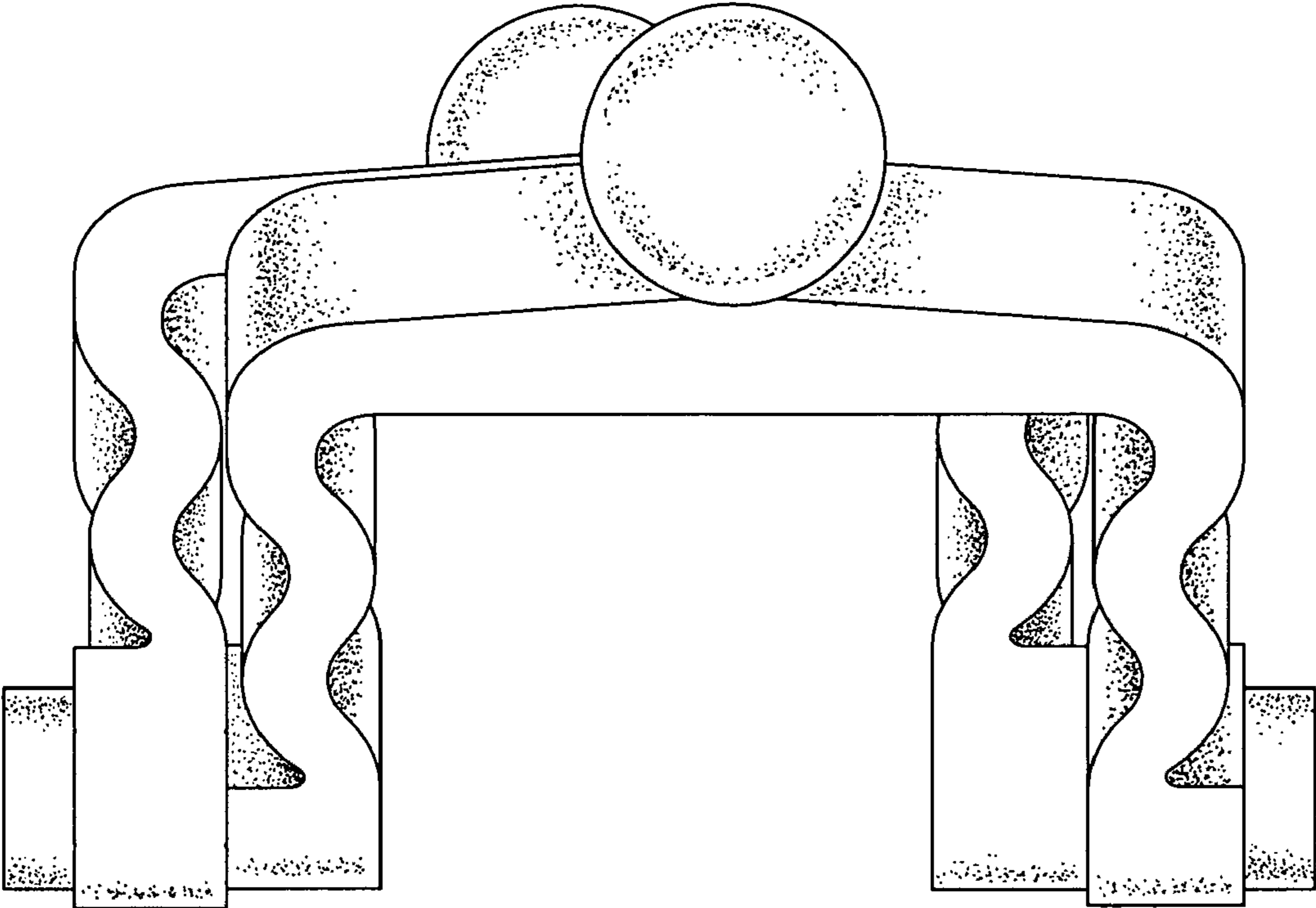


Fig. 6

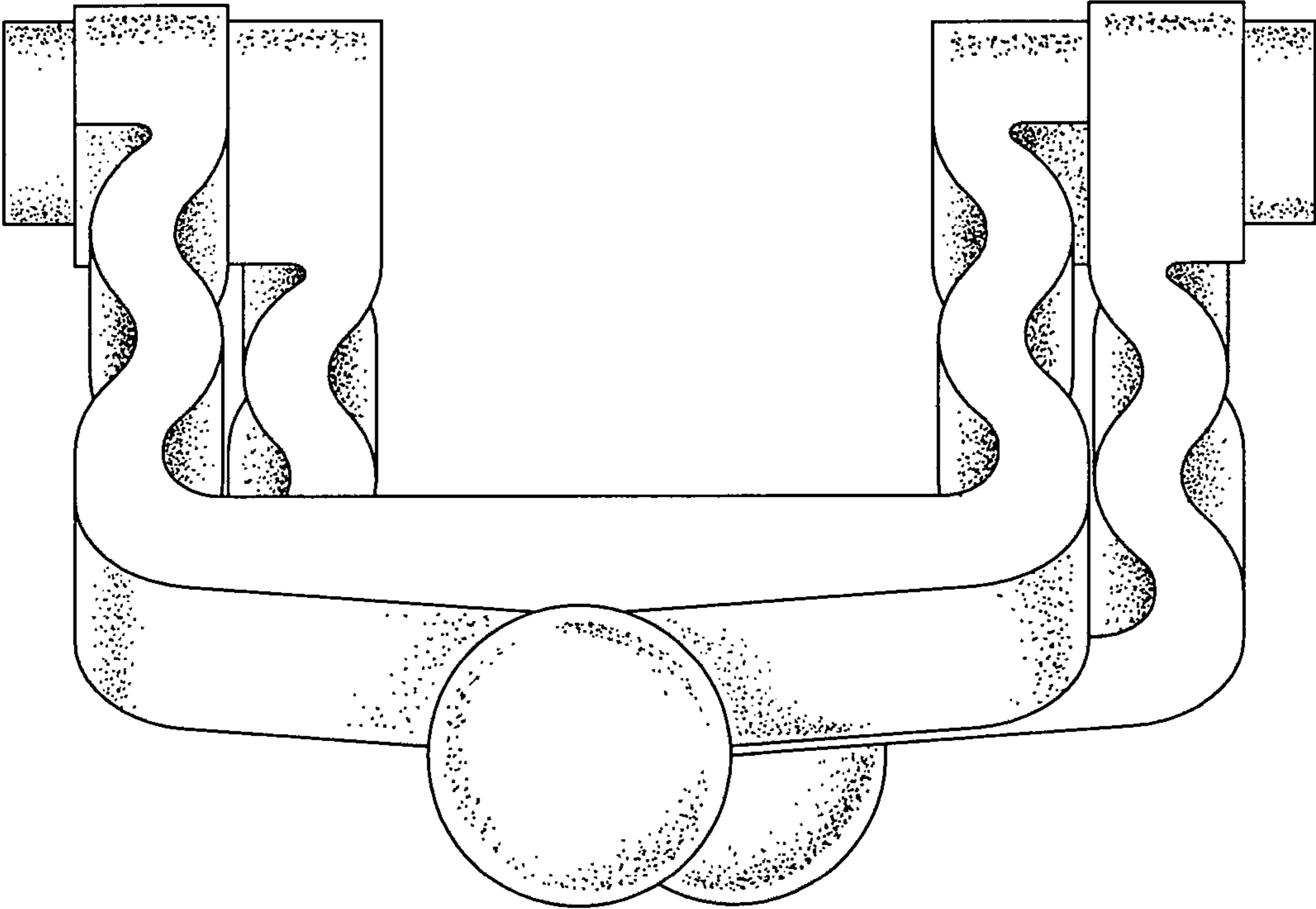


Fig. 7

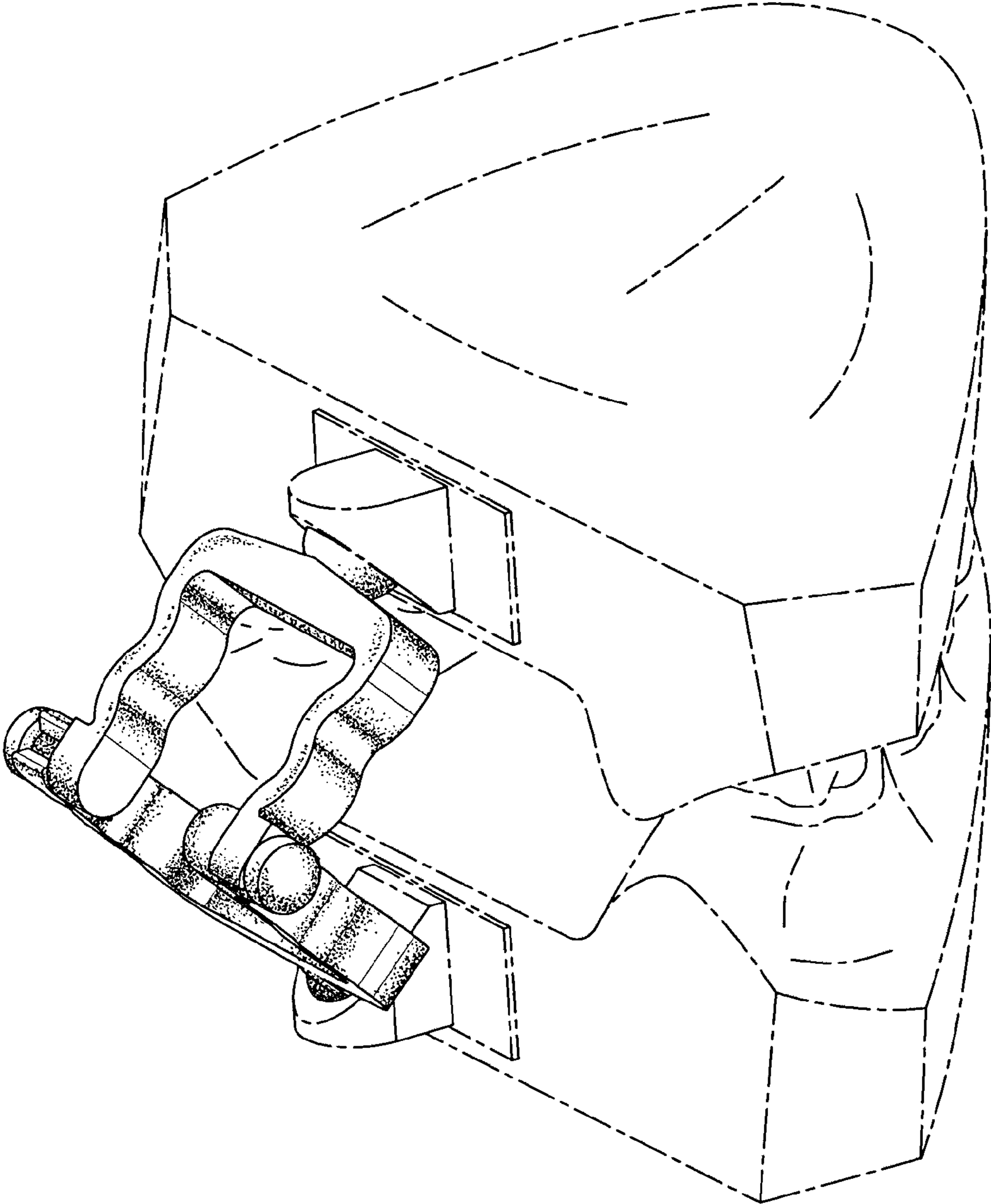


Fig. 8