



US00D650079S

(12) **United States Design Patent**
Presta et al.

(10) **Patent No.:** **US D650,079 S**

(45) **Date of Patent:** **** Dec. 6, 2011**

(54) **ANALYTE METER**

(75) Inventors: **Matthew P. Presta**, San Mateo, CA (US); **Ronaldo F. Carreon**, San Francisco, CA (US); **William J. Evans**, San Francisco, CA (US); **Phillip Halbert**, San Francisco, CA (US)

5,515,170 A 5/1996 Matzinger et al.
D371,198 S 6/1996 Savage et al.
D371,440 S 7/1996 Petersen
D371,605 S 7/1996 Wong et al.
D376,763 S 12/1996 Flora et al.
D378,612 S 3/1997 Clark et al.
5,705,936 A 1/1998 Gibson et al.

(Continued)

(73) Assignee: **Abbott Diabetes Care Inc.**, Alameda, CA (US)

FOREIGN PATENT DOCUMENTS

WO WO 2010/024971 3/2010

(Continued)

(**) Term: **14 Years**

(21) Appl. No.: **29/355,473**

OTHER PUBLICATIONS

(22) Filed: **Feb. 8, 2010**

Boehringer Mannheim Corp., Accu-Chek® Advantage™ Blood Glucose Monitor, User's Manual.

(Continued)

(51) **LOC (9) Cl.** **24-01**

(52) **U.S. Cl.** **D24/169**

(58) **Field of Classification Search** D24/164-169, D24/107, 186, 187; D10/46, 78, 81; 435/14, 435/287.1; 422/56, 58, 68.1; 600/316, 322, 600/365, 368; D14/341

See application file for complete search history.

Primary Examiner — Anhdao Doan

(74) *Attorney, Agent, or Firm* — Edward J. Baba; Bozicevic, Field & Francis LLP

(57) **CLAIM**

The ornamental design for an analyte meter, as shown and described.

(56) **References Cited**

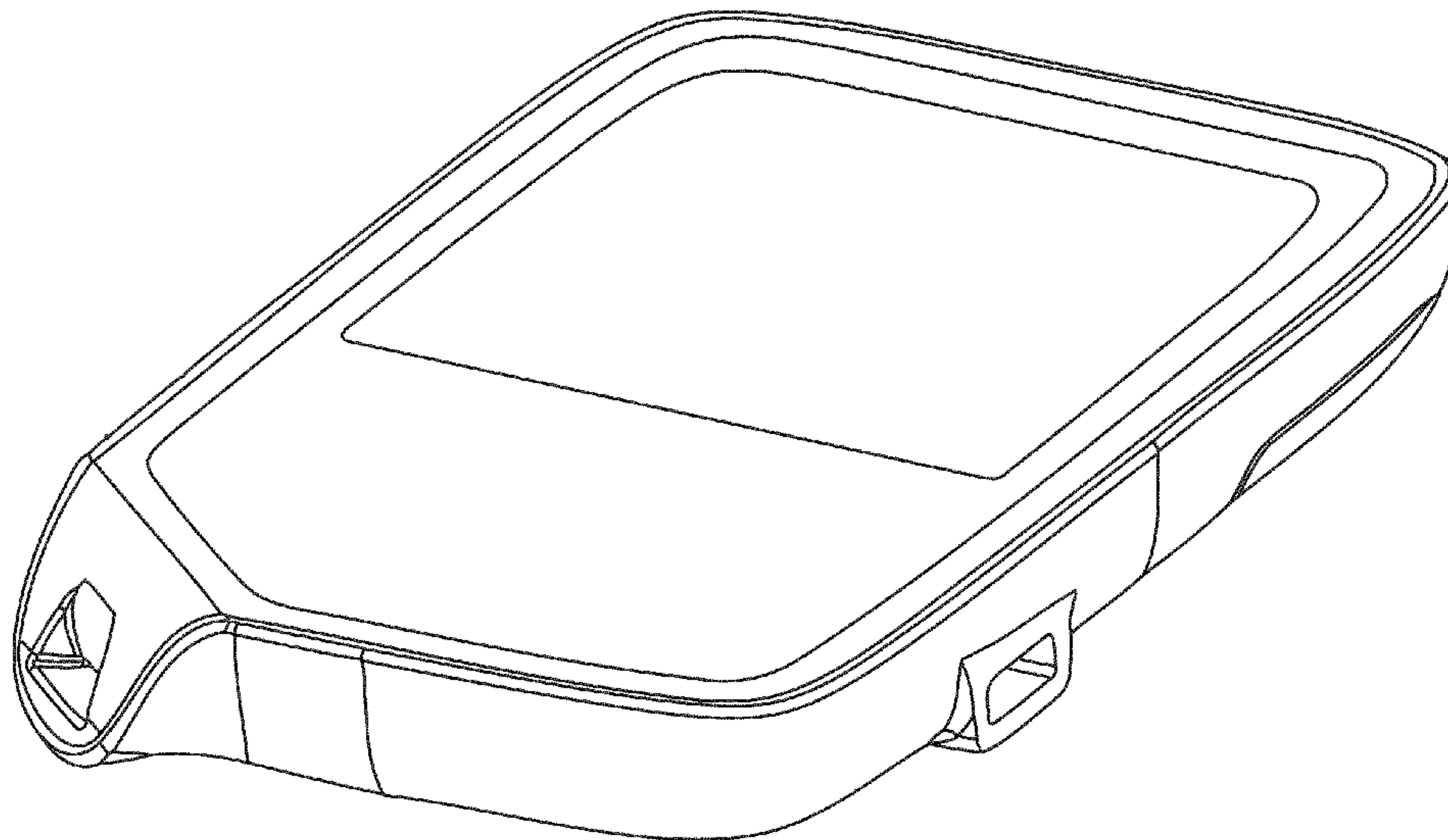
U.S. PATENT DOCUMENTS

D249,892 S 10/1978 Aul et al.
4,627,445 A 12/1986 Garcia et al.
4,637,403 A 1/1987 Garcia et al.
4,787,398 A 11/1988 Garcia et al.
D318,331 S 7/1991 Phillips et al.
5,029,583 A 7/1991 Meserol et al.
D323,893 S 2/1992 Arioka
D324,570 S 3/1992 Arioka et al.
D325,975 S 5/1992 Grade et al.
D332,833 S 1/1993 Lauks et al.
D351,469 S 10/1994 Okamoto et al.
5,397,537 A 3/1995 Kanda et al.
5,424,035 A 6/1995 Hones et al.
5,445,967 A 8/1995 Deuter
D369,216 S 4/1996 Micinski et al.
D369,864 S 5/1996 Petersen

DESCRIPTION

FIG. 1 is a perspective view of an analyte meter, showing our new design, FIG. 2 is a front view of the analyte meter of FIG. 1, FIG. 3 is a rear view of the analyte meter of FIG. 1, FIG. 4 is a first side view of the analyte meter of FIG. 1; and, FIG. 5 is a second side view of the analyte meter of FIG. 1. The broken lines immediately adjacent the claimed areas represent the bounds of the claim, and all other broken lines are included for the purpose of illustrating the unclaimed portions of the analyte meter. None of the broken lines form a part of the claimed design.

1 Claim, 5 Drawing Sheets



U.S. PATENT DOCUMENTS

5,714,123 A 2/1998 Sohrab
D392,740 S 3/1998 Yung et al.
D393,313 S 4/1998 Meisner et al.
D393,314 S 4/1998 Meisner et al.
D399,565 S 10/1998 Prokop et al.
D399,566 S 10/1998 Sohrab et al.
D399,959 S 10/1998 Prokop et al.
D399,960 S 10/1998 Prokop et al.
D402,369 S 12/1998 Prokop et al.
D406,895 S 3/1999 Byrd et al.
D411,621 S 6/1999 Eisenbarth et al.
D417,504 S 12/1999 Love et al.
D418,602 S 1/2000 Prokop et al.
D424,696 S 5/2000 Ray et al.
D426,638 S 6/2000 Ray et al.
D440,312 S 4/2001 Bertrand et al.
6,377,894 B1* 4/2002 Deweese et al. 422/68.1
6,424,847 B1 7/2002 Mastrototaro et al.
D465,026 S 10/2002 May et al.
D465,849 S 11/2002 May et al.
6,506,168 B1 1/2003 Fathallah et al.
6,514,460 B1 2/2003 Fendrock
D471,280 S 3/2003 Jaeck
D471,983 S 3/2003 Hippolyte et al.
D473,310 S 4/2003 Schlagheck et al.
6,562,625 B2 5/2003 Modzelewski et al.
D484,600 S 12/2003 Kaar et al.
6,706,159 B2 3/2004 Moerman et al.
D493,536 S 7/2004 Jaek et al.
D495,418 S 8/2004 Rounds et al.
D496,461 S 9/2004 Neel et al.
D499,805 S 12/2004 D'Agostino
D510,711 S 10/2005 Syme et al.
D518,397 S 4/2006 Sydlowski et al.
D520,888 S 5/2006 Sydlowski et al.
D533,095 S 12/2006 Kaushal et al.
D534,445 S 1/2007 Kaushal et al.
D581,056 S* 11/2008 Kurokawa et al. D24/186
D585,135 S* 1/2009 Mori et al. D24/169
D611,151 S* 3/2010 Lei D24/169
2002/0115912 A1 8/2002 Muraki et al.
2002/0161288 A1 10/2002 Shin et al.
2003/0021729 A1 1/2003 Moller et al.
2003/0119202 A1 6/2003 Kaylor et al.
2003/0159944 A1 8/2003 Pottgen et al.

2004/0073095 A1 4/2004 Causey et al.
2006/0040333 A1 2/2006 Zocchi
2006/0259676 A1* 11/2006 Oberding et al. 600/365

FOREIGN PATENT DOCUMENTS

WO WO 2010/033503 3/2010

OTHER PUBLICATIONS

Boehringer Mannheim Corp., Accu-Chek® Easy™, Blood Glucose Monitoring System, User's Manual, © 1995.
Boehringer Mannheim Corp., Accu-Chek® Instant™, Blood Glucose Monitoring System, User's Manual.
Lifescan, Inc., One Touch® Basic™, Blood Glucose Monitoring System, Owner's Booklet, © 1993. Rev. Feb. 1993.
Lifescan, Inc., One Touch® Profile™, Diabetes Tracking System, Owner's Booklet, © 1995.
Lifescan, Inc., One Touch®, Ultra Smart™ Blood Glucose Monitoring System, Owner's Booklet, © 2002, cover pages and pp. x, 2.
Lifescan, Inc., Surestep™, Complete Blood Glucose Monitoring System, Owner's Booklet, © 1995.
MediSense, Inc., ExactTech® R.S.G™, Blood Glucose Testing System for In vitro Diagnostic Use, User's Manual, © 1996. Rev. Sep. 1996.
MediSense, Inc., MediSense® 2, Blood Glucose Testing System for In Vitro Diagnostic Use, User's Manual, © 1994, Rev. Dec. 1994.
MediSense, Inc., Pen™ 2 Companion™ 2 Sensor, Blood Glucose Testing System, User's Manual, © 1992. Rev. Dec. 1992.
MediSense, Inc., Precision Q.I.D™ Blood Glucose Testing System for In Vitro Diagnostic Use, User's Manual. 01994. Rev. Dec. 1994.
Miles, Inc., Glucometer Elite™, Diabetes Care System, User guide, © 1993. Rev. Feb. 1993.
Miles, Inc., Glucometer Encore™, Diabetes Care System, User Guide, © 1994. Rev. Mar. 1994.
Photographs (3) of Bayer Glucometer Elite.
Photographs (3) of Bayer Glucometer Encore.
Photographs (3) of Boehringer Mannheim Accu-Check Advantage.
Photographs (3) of Boehringer Mannheim Accu-Check Easy.
Photographs (3) of Boehringer Mannheim Accu-Check Instant.
Photographs (3) of Lifescan One Scan Basic.
Photographs (3) of Lifescan One Touch Profile.
Photographs (3) of Lifescan SureStep.
Photographs (3) of Sensorex.

* cited by examiner

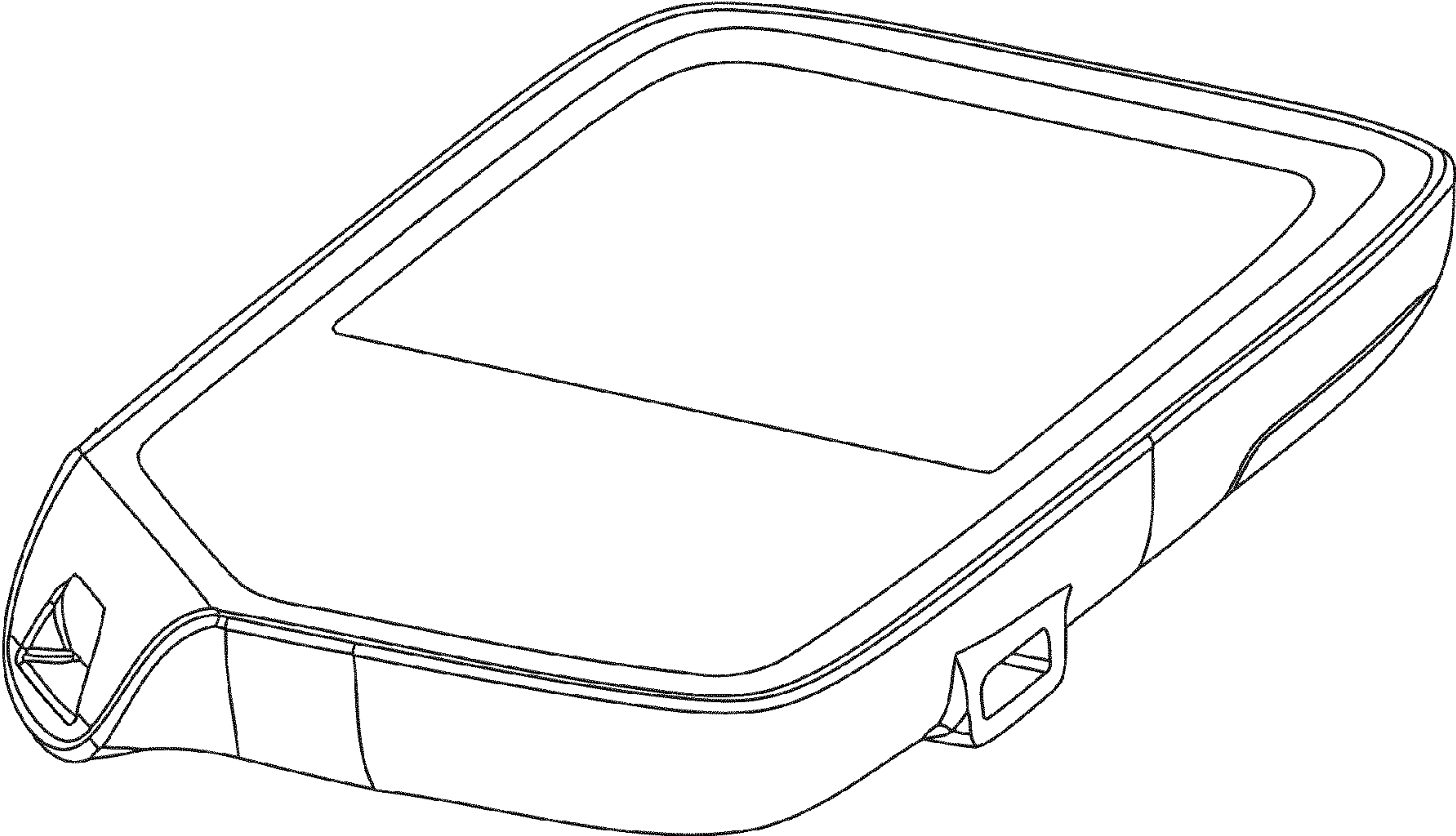


FIG. 1

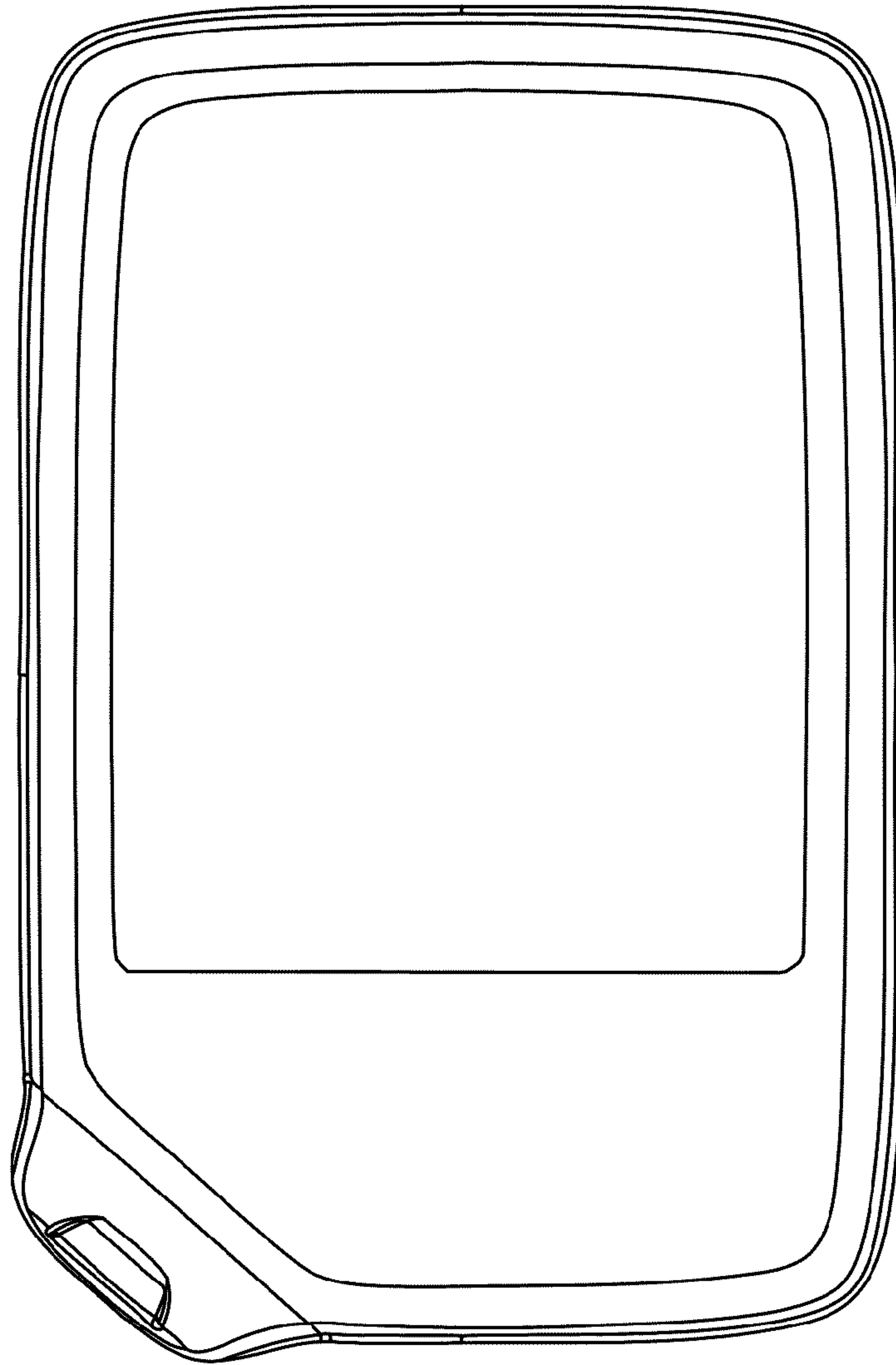


FIG. 2

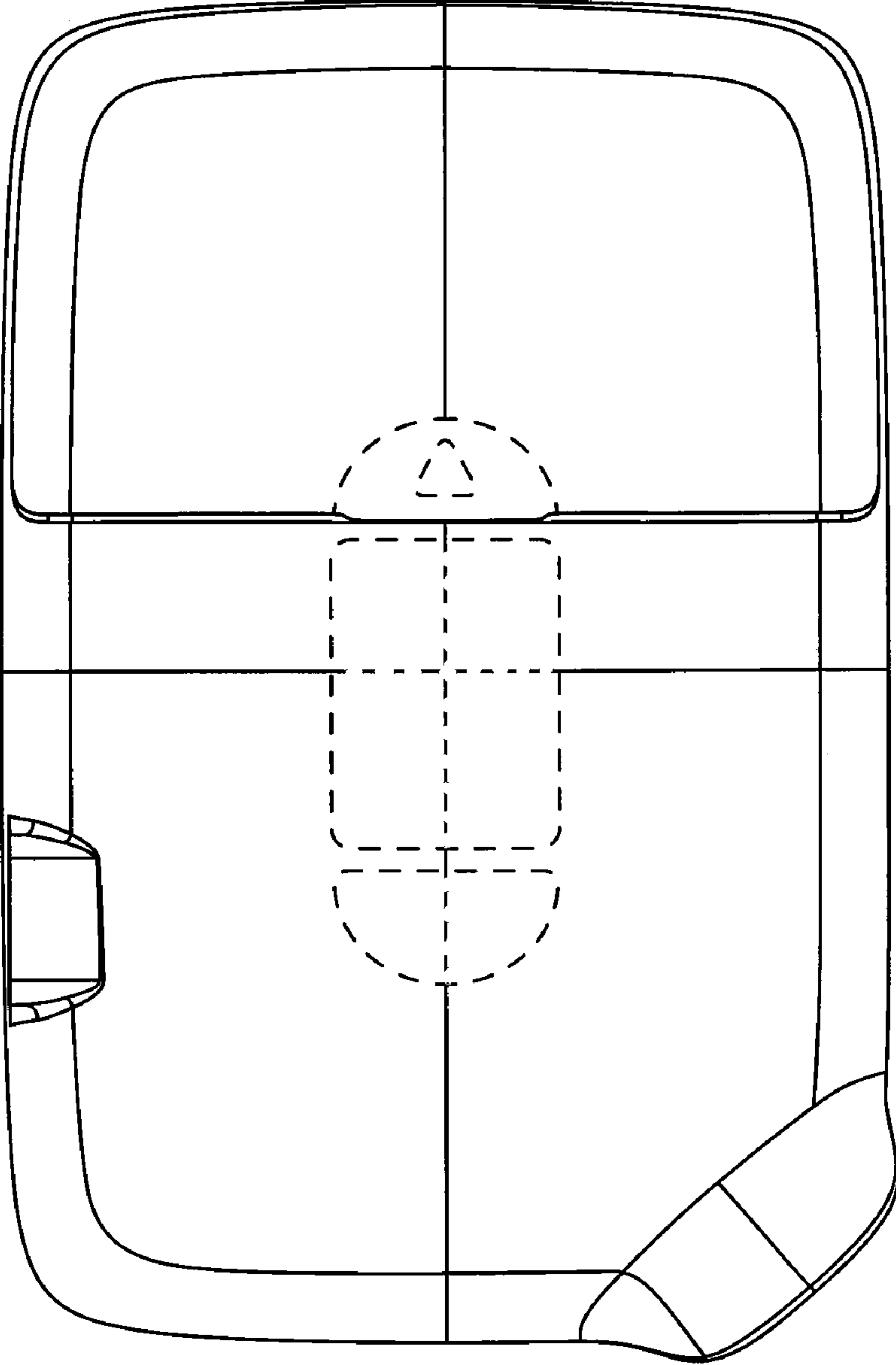


FIG. 3

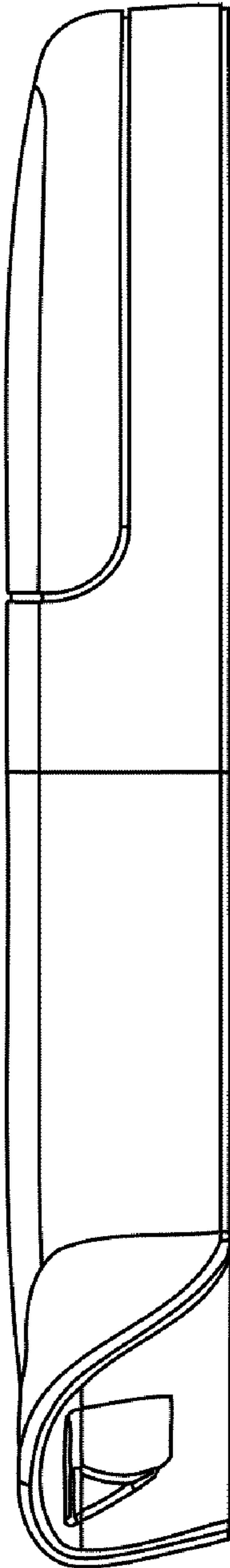


FIG. 4

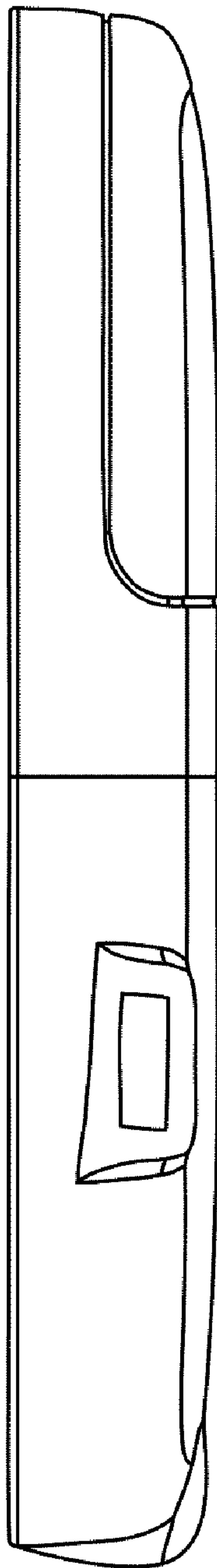


FIG. 5