



US00D650078S

(12) **United States Design Patent**  
**Efinger et al.**

(10) **Patent No.:** **US D650,078 S**

(45) **Date of Patent:** **\*\* Dec. 6, 2011**

(54) **GUIDING INSTRUMENT FOR TELESCOPES**

(75) Inventors: **Andreas Efinger**, Rietheim (DE); **Kevin Pilz**, Tuttlingen (DE)

(73) Assignee: **Karl Storz GmbH & Co. KG** (DE)

(\*\*) Term: **14 Years**

(21) Appl. No.: **29/364,324**

(22) Filed: **Jun. 22, 2010**

(30) **Foreign Application Priority Data**

Dec. 22, 2009 (EM) ..... 001651142-0006

(51) **LOC (9) Cl.** ..... **24-02**

(52) **U.S. Cl.** ..... **D24/140**

(58) **Field of Classification Search** ..... D24/133,  
D24/137, 138, 140; 600/101, 102, 104, 106,  
600/114, 117; 606/1, 46

See application file for complete search history.

(56) **References Cited**

**U.S. PATENT DOCUMENTS**

2,918,919	A	*	12/1959	Wallace	.....	606/127
D370,531	S	*	6/1996	Ash et al.	.....	D24/140
D429,331	S	*	8/2000	Koros et al.	.....	D24/135
D443,359	S	*	6/2001	Nathanson et al.	.....	D24/135
D570,480	S	*	6/2008	Rehbein et al.	.....	D24/133
D590,945	S	*	4/2009	Berberich	.....	D24/146

D603,046	S	*	10/2009	Frey	.....	D24/146
D614,302	S	*	4/2010	Eisele	.....	D24/146
D615,201	S	*	5/2010	Bierman et al.	.....	D24/140
D621,937	S	*	8/2010	Efinger et al.	.....	D24/137
D624,182	S	*	9/2010	Thouement	.....	D24/143
D635,668	S	*	4/2011	Bartlett et al.	.....	D24/138
D639,943	S	*	6/2011	Bettocchi	.....	D24/137

\* cited by examiner

*Primary Examiner* — Bridget L Eland

(74) *Attorney, Agent, or Firm* — St. Onge Steward Johnston & Reens LLC

(57) **CLAIM**

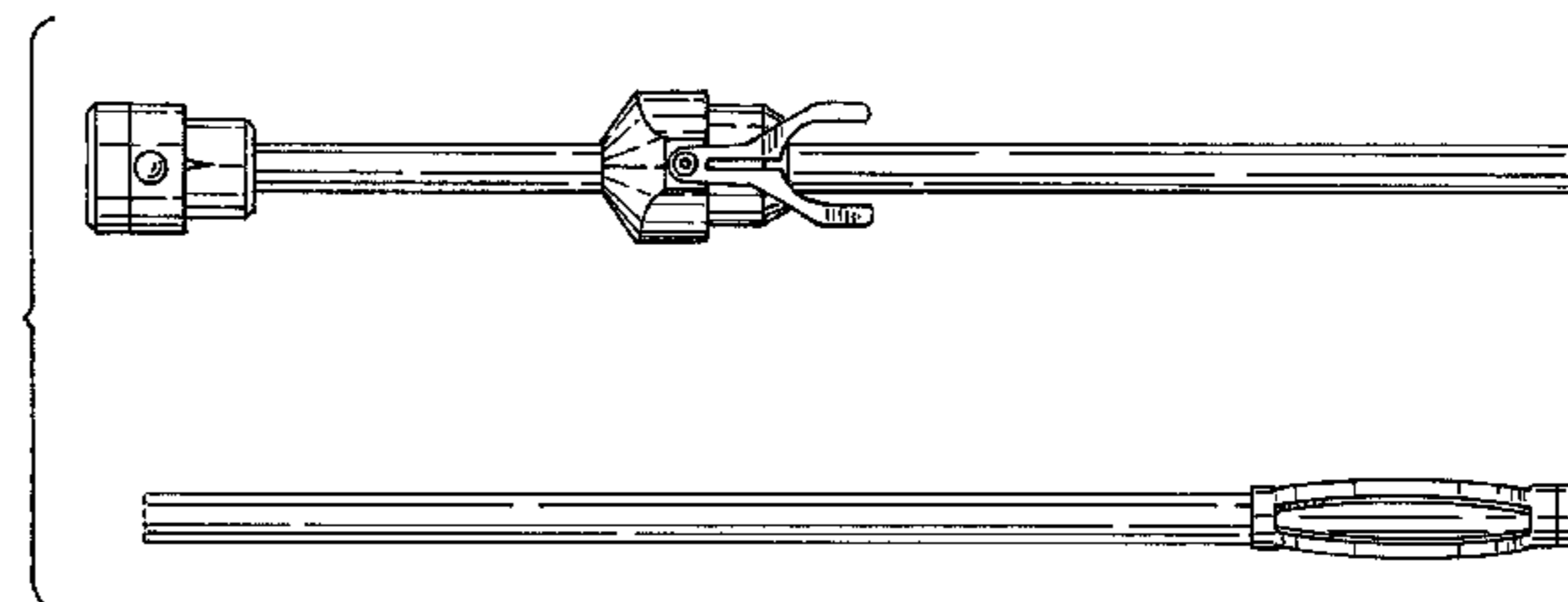
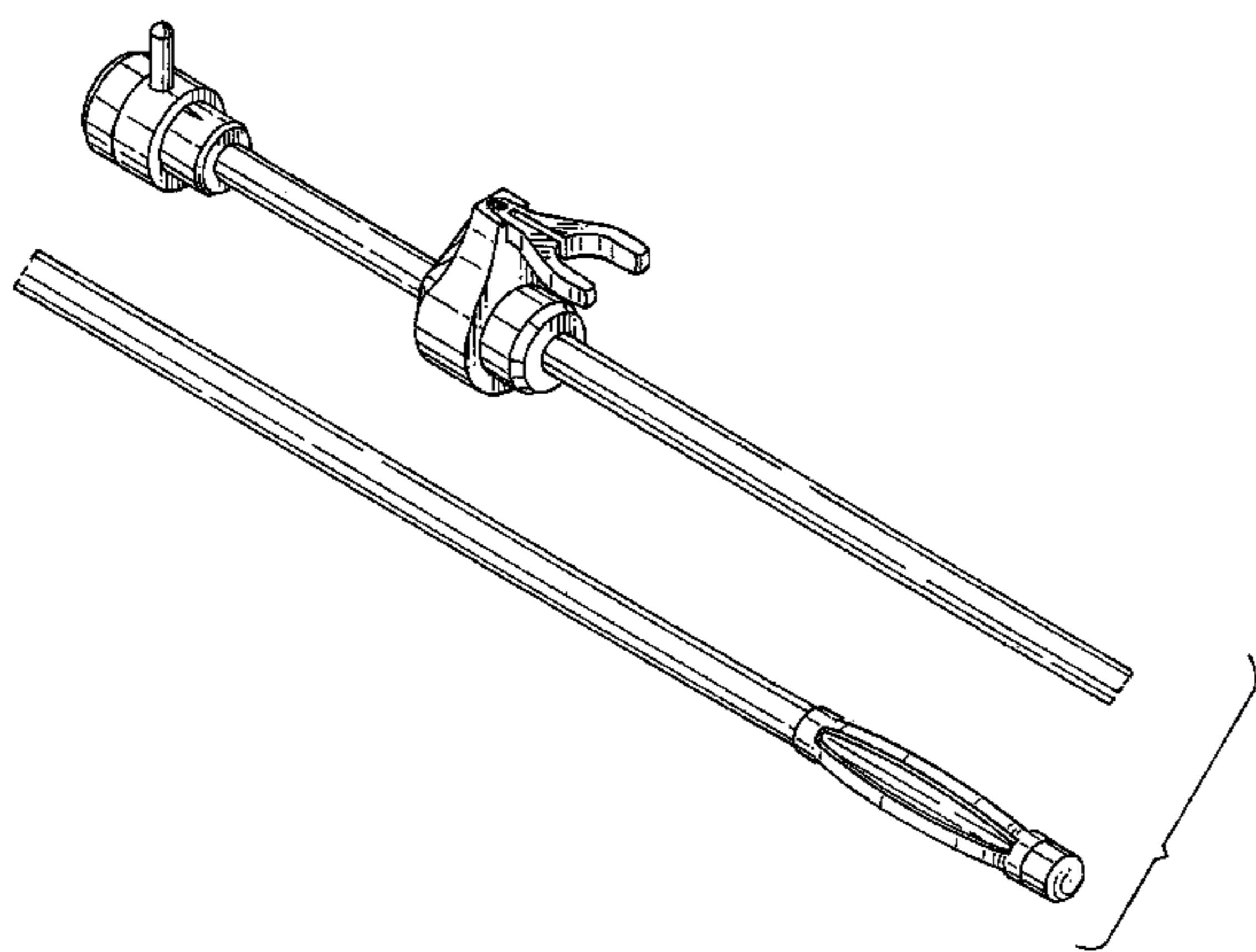
The ornamental design for a guiding instrument for telescopes, as shown and described.

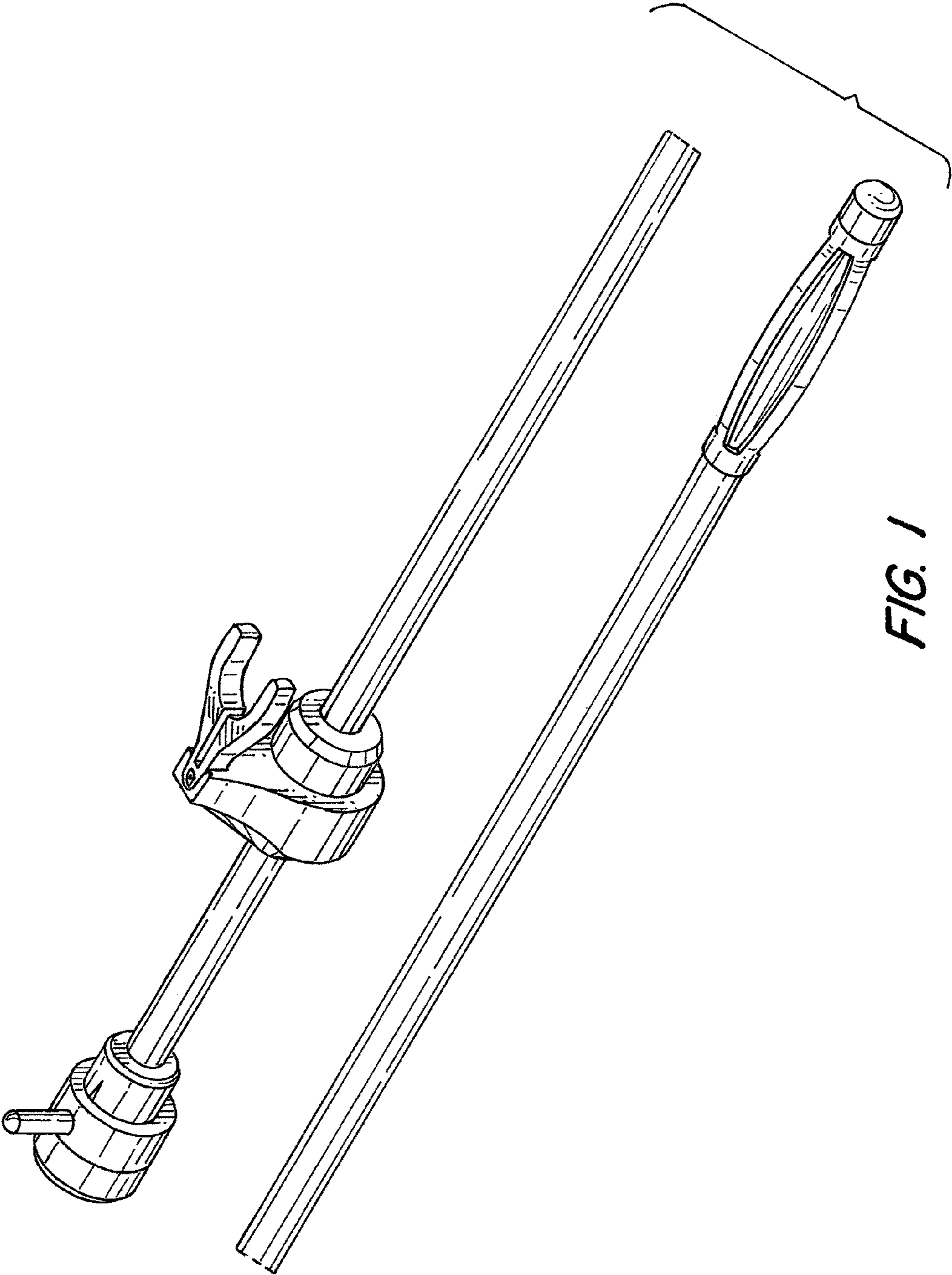
**DESCRIPTION**

FIG. 1 is a right side perspective view of a guiding instrument for telescopes in accordance with the new design; FIG. 2 is a right side elevation view thereof; FIG. 3 is a left side elevation view thereof; FIG. 4 is a top plan view thereof; FIG. 5 is a bottom plan view thereof; FIG. 6 is a front elevation view thereof; and, FIG. 7 is a rear elevation view thereof.

The broken line separation and bracket are used to indicate that, for ease of illustration, no particular length is claimed. The broken lines shown in FIG. 7 represent the bounds of the claimed design; the broken lines form no part of the claimed design.

**1 Claim, 6 Drawing Sheets**





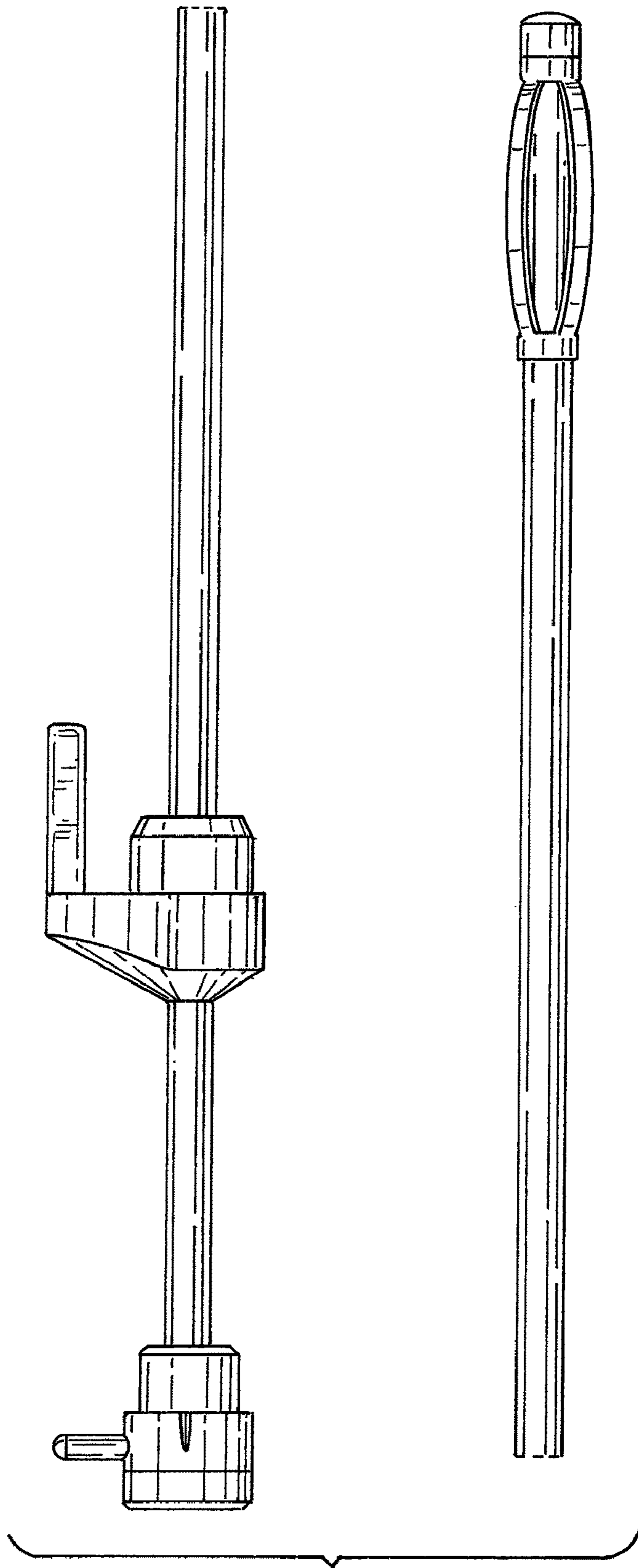


FIG. 2

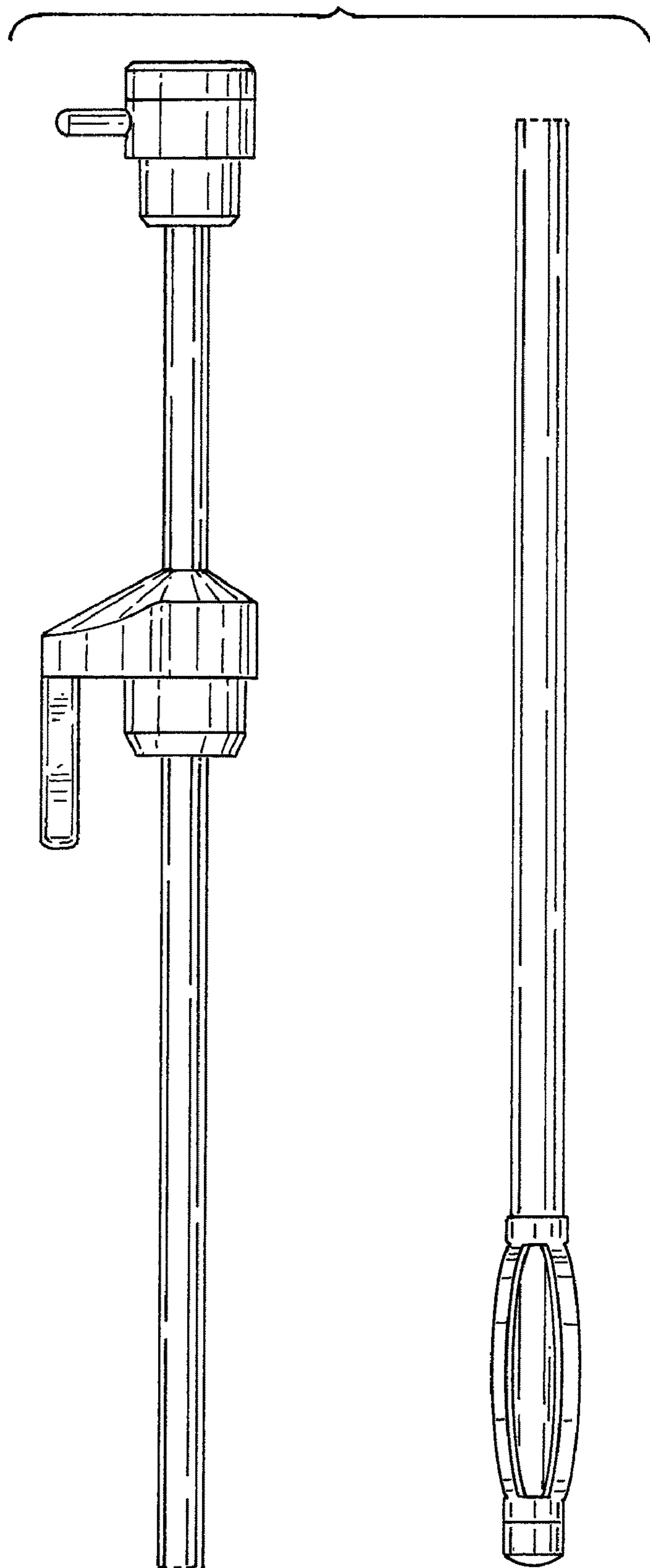
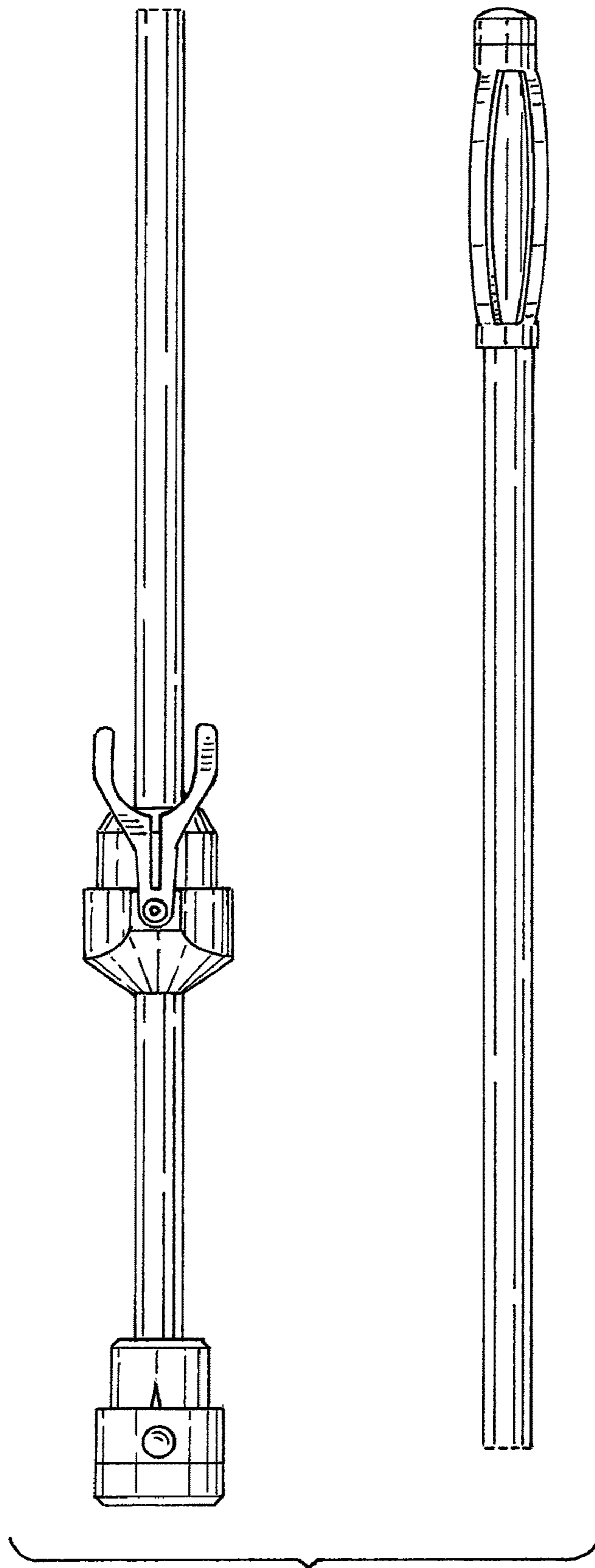
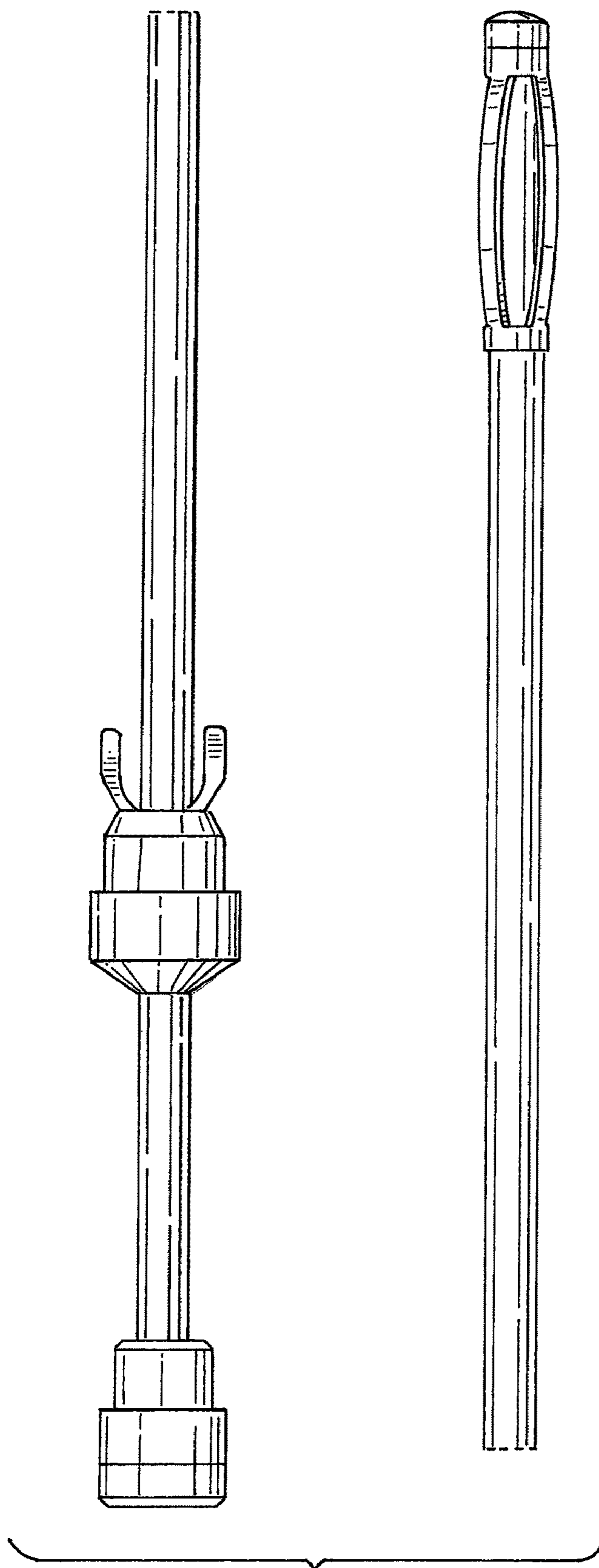


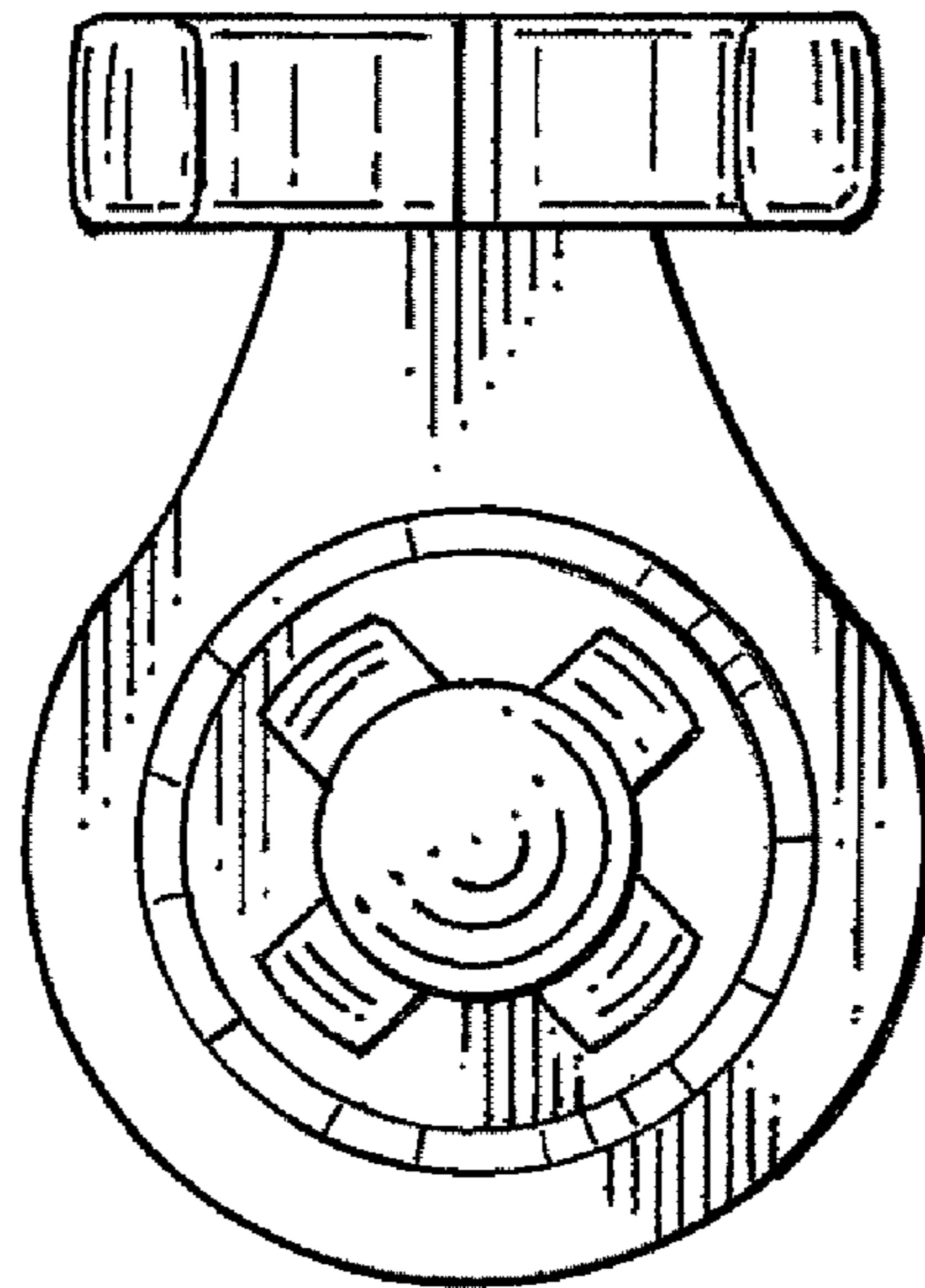
FIG. 3



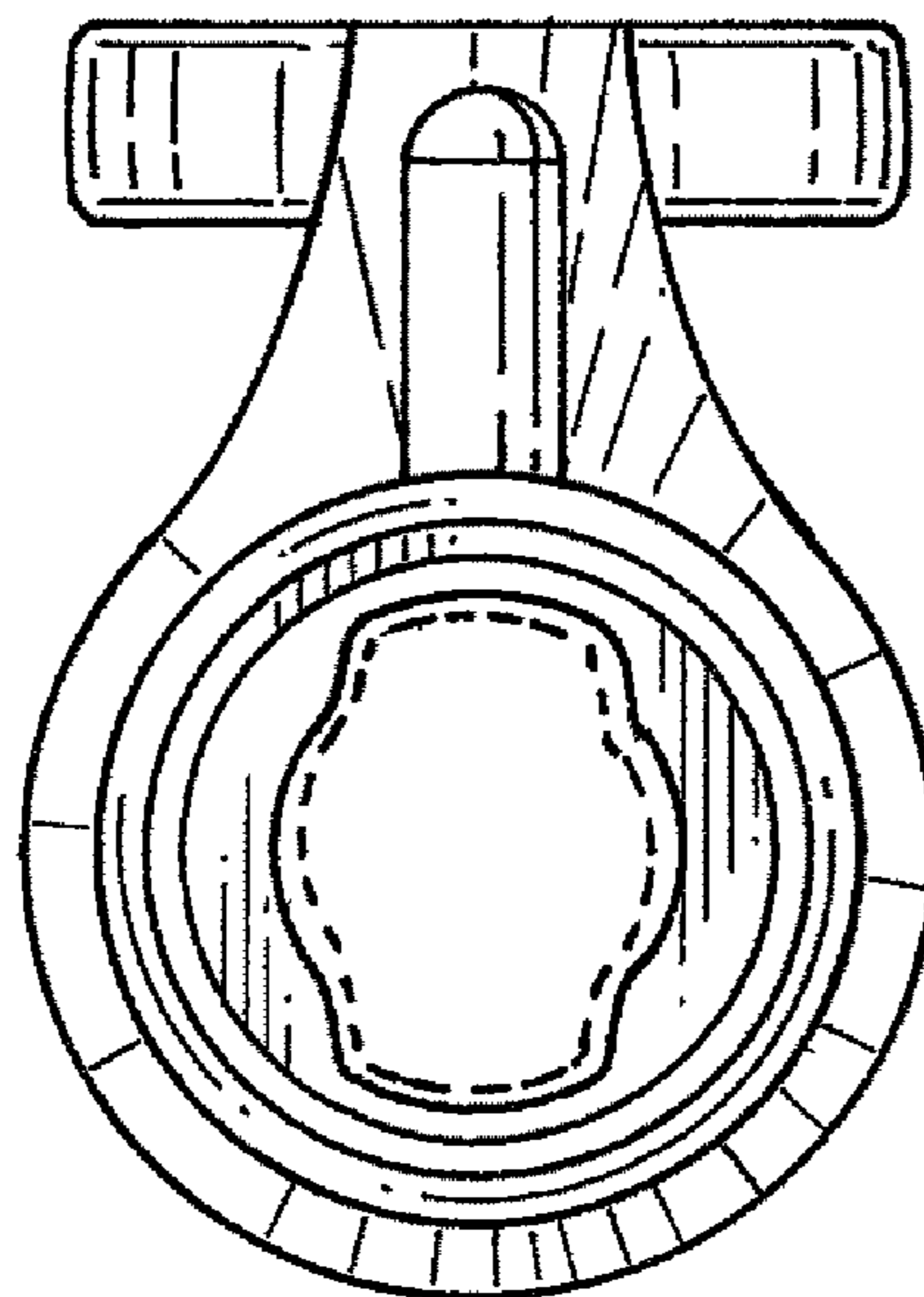
*FIG. 4*



*FIG. 5*



**FIG. 6**



**FIG. 7**