



US00D650074S

(12) **United States Design Patent**
Hunt et al.

(10) **Patent No.:** **US D650,074 S**

(45) **Date of Patent:** **** *Dec. 6, 2011**

(54) **SURGICAL INSTRUMENT**

(75) Inventors: **John V. Hunt**, Cincinnati, OH (US);
Cory G. Kimball, Cincinnati, OH (US);
Ryan J. Laurent, Liberty Township, OH
(US); **Patrick J. Swindon**, Cincinnati,
OH (US)

(73) Assignee: **Ethicon Endo-Surgery, Inc.**, Cincinnati,
OH (US)

(**) Term: **14 Years**

(21) Appl. No.: **29/376,122**

(22) Filed: **Oct. 1, 2010**

(51) **LOC (9) Cl.** **24-02**

(52) **U.S. Cl.** **D24/133**

(58) **Field of Classification Search** D24/133,
D24/143-149; 606/1, 80, 85, 167, 169, 170,
606/171, 176, 180, 205; 604/22, 27

See application file for complete search history.

(56) **References Cited**

U.S. PATENT DOCUMENTS

D309,350	S *	7/1990	Sutherland et al.	D24/133
4,986,808	A	1/1991	Broadwin et al.		
4,988,334	A	1/1991	Homlein et al.		
5,009,661	A	4/1991	Michelson		
5,015,227	A	5/1991	Broadwin et al.		
5,024,652	A	6/1991	Dumenek et al.		
D327,323	S *	6/1992	Hunt	D24/145
5,171,247	A *	12/1992	Hughett et al.	606/142
5,190,517	A	3/1993	Zieve et al.		
5,207,697	A	5/1993	Carusillo et al.		
5,217,478	A	6/1993	Rexroth		
D338,729	S *	8/1993	Sprecklemeier et al.	D24/145
5,261,922	A	11/1993	Hood		
5,275,608	A	1/1994	Forman et al.		
D347,474	S *	5/1994	Olson	D24/145
5,312,329	A	5/1994	Beaty et al.		

(Continued)

FOREIGN PATENT DOCUMENTS

CA 2458946 A1 3/2003

(Continued)

OTHER PUBLICATIONS

Disclosed Anonymously, "Motor-Driven Surgical Stapler Improvements," Research Disclosure Database No. 526041, Published: Feb. 2008.

(Continued)

Primary Examiner — Bridget L Eland

(57) **CLAIM**

The ornamental design for a surgical instrument, as shown and described.

DESCRIPTION

FIG. 1 is a perspective view of a surgical instrument in an environment.

FIG. 2 is a front view of the surgical instrument of FIG. 1.

FIG. 3 is a rear view of the surgical instrument of FIG. 1.

FIG. 4 is a right-side view of the surgical instrument of FIG. 1.

FIG. 5 is a left-side view of the surgical instrument of FIG. 1.

FIG. 6 is a top view of the surgical instrument of FIG. 1.

FIG. 7 is a bottom view of the surgical instrument of FIG. 1.

FIG. 8 is a perspective view of a surgical instrument in an alternate environment with an end effector cap in place.

FIG. 9 is a front view of the surgical instrument of FIG. 8.

FIG. 10 is a rear view of the surgical instrument of FIG. 8.

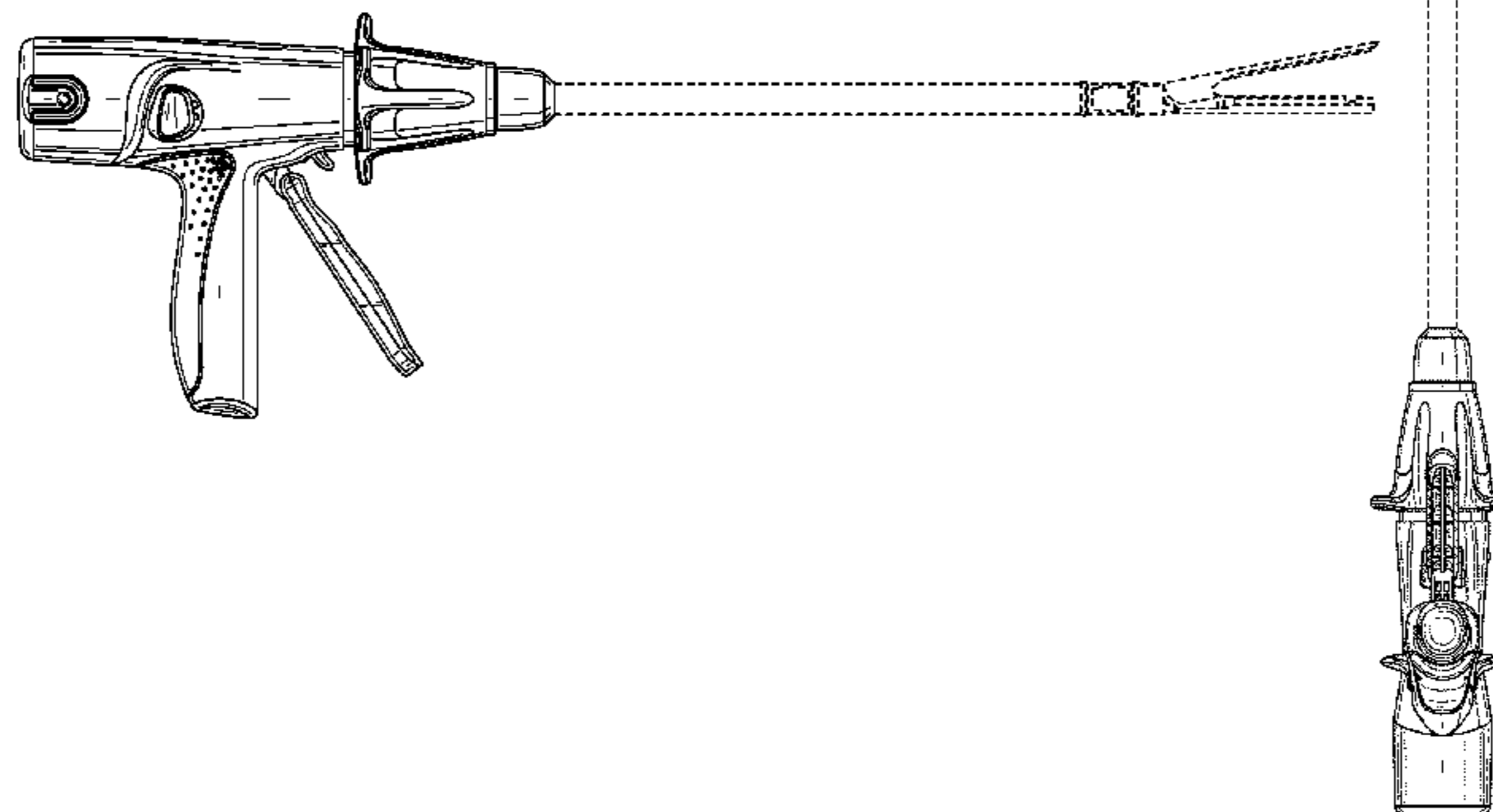
FIG. 11 is a right-side view of the surgical instrument of FIG. 8.

FIG. 12 is a left-side view of the surgical instrument of FIG. 8.

FIG. 13 is a top view of the surgical instrument of FIG. 8; and, FIG. 14 is a bottom view of the surgical instrument of FIG. 8.

The broken lines immediately adjacent the shaded areas represent the bounds of the claimed design while all other broken lines are directed to environment and are for illustrative purposes only; these broken lines form no part of the claimed design.

1 Claim, 10 Drawing Sheets



US D650,074 S

2011/0121051	A1	5/2011	Shelton, IV et al.	EP	0605351	B1	11/1998
2011/0121052	A1	5/2011	Shelton, IV et al.	EP	0878169	A1	11/1998
2011/0125176	A1	5/2011	Yates et al.	EP	0879742	A1	11/1998
2011/0125177	A1	5/2011	Yates et al.	EP	0695144	B1	12/1998
2011/0132962	A1	6/2011	Hall et al.	EP	0722296	B1	12/1998
2011/0132963	A1	6/2011	Giordano et al.	EP	0760230	B1	2/1999
2011/0132964	A1	6/2011	Weisenburgh, II et al.	EP	0623316	131	3/1999
2011/0132965	A1	6/2011	Moore et al.	EP	0650701	B1	3/1999
2011/0139852	A1	6/2011	Zingman	EP	0537572	81	6/1999
2011/0144430	A1	6/2011	Spivey et al.	EP	0923907	A1	6/1999

FOREIGN PATENT DOCUMENTS

CA	2512960	A1	1/2006	EP	0843906	B1	3/2000
CA	2514274	A1	1/2006	EP	0552050	B1	5/2000
CN	1915180	A	2/2007	EP	0833592	B1	5/2000
DE	273689	C	5/1914	EP	0830094	B1	9/2000
DE	1775926	A	1/1972	EP	1034747	A1	9/2000
DE	3210466	A1	9/1983	EP	1034748	A1	9/2000
DE	9412228	U	9/1994	EP	0694290	B1	11/2000
DE	19509116	A1	9/1996	EP	1050278	A1	11/2000
DE	19924311	A1	11/2000	EP	1053719	A1	11/2000
DE	69328576	T2	1/2001	EP	1053720	A1	11/2000
DE	10052679	A1	5/2001	EP	1055399	A1	11/2000
DE	20112837	U1	10/2001	EP	1055400	A1	11/2000
DE	20121753	U1	4/2003	EP	1080694	A1	3/2001
DE	10314072	A1	10/2004	EP	1090592	A1	4/2001
DE	202007003114	U1	6/2007	EP	1095627	A1	5/2001
EP	0122046	A1	10/1984	EP	1256318	B1	5/2001
EP	0070230	B1	10/1985	EP	0806914	B1	9/2001
EP	0387980	B1	10/1985	EP	0768840	B1	12/2001
EP	0033548	B1	5/1986	EP	0908152	B1	1/2002
EP	0276104	A2	7/1988	EP	0872213	B1	5/2002
EP	0248844	B1	1/1993	EP	0862386	B1	6/2002
EP	0277959	B1	10/1993	EP	0949886	B1	9/2002
EP	0233940	B1	11/1993	EP	1238634	A2	9/2002
EP	0261230	B1	11/1993	EP	0858295	B1	12/2002
EP	0639349	A2	2/1994	EP	0656188	81	1/2003
EP	0324636	81	3/1994	EP	1284120	A1	2/2003
EP	0593920	A1	4/1994	EP	1287788	A1	3/2003
EP	0523174	B1	6/1994	EP	0717966	B1	4/2003
EP	0600182	A2	6/1994	EP	0869742	B1	5/2003
EP	0310431	B1	11/1994	EP	0829235	B1	6/2003
EP	0375302	B1	11/1994	EP	0887046	B1	7/2003
EP	0376562	B1	11/1994	EP	0852480	B1	8/2003
EP	0630612	A1	12/1994	EP	0891154	B1	9/2003
EP	0634144	A1	1/1995	EP	0813843	B1	10/2003
EP	0646356	A2	4/1995	EP	0873089	B1	10/2003
EP	0646357	A1	4/1995	EP	0856326	B1	11/2003
EP	0653189	A2	5/1995	EP	1374788	A1	1/2004
EP	0669104	A1	8/1995	EP	0741996	81	2/2004
EP	0511470	81	10/1995	EP	0814712	B1	2/2004
EP	0679367	A2	11/1995	EP	1402837	A1	3/2004
EP	0392547	B1	12/1995	EP	0705570	131	4/2004
EP	0685204	A1	12/1995	EP	0959784	B1	4/2004
EP	0364216	61	1/1996	EP	1407719	A2	4/2004
EP	0699418	A1	3/1996	EP	1086713	B1	5/2004
EP	0702937	A1	3/1996	EP	0996378	B1	6/2004
EP	0705571	A1	4/1996	EP	1426012	A1	6/2004
EP	0711611	A2	5/1996	EP	0833593	B2	7/2004
EP	0484677	B2	6/1996	EP	1442694	A1	8/2004
EP	0541987	B1	7/1996	EP	0888749	B1	9/2004
EP	0667119	B1	7/1996	EP	0959786	B1	9/2004
EP	0708618	B1	3/1997	EP	1459695	A1	9/2004
EP	0770355	A1	5/1997	EP	1473819	A1	11/2004
EP	0503662	B1	6/1997	EP	1477119	A1	11/2004
EP	0447121	B1	7/1997	EP	1479345	A1	11/2004
EP	0625077	B1	7/1997	EP	1479347	A1	11/2004
EP	0633749	81	8/1997	EP	1479348	A1	11/2004
EP	0710090	B1	8/1997	EP	0754437	B2	12/2004
EP	0578425	B1	9/1997	EP	1025807	B1	12/2004
EP	0625335	131	11/1997	EP	1001710	B1	1/2005
EP	0552423	131	1/1998	EP	1520521	A1	4/2005
EP	0592244	B1	1/1998	EP	1520523	A1	4/2005
EP	0648476	B1	1/1998	EP	1520525	A1	4/2005
EP	0649290	B1	3/1998	EP	1522264	A1	4/2005
EP	0598618	B1	9/1998	EP	1523942	A2	4/2005
EP	0676173	B1	9/1998	EP	1550408	A1	7/2005
EP	0678007	B1	9/1998	EP	1557129	A1	7/2005
EP	0603472	B1	11/1998	EP	1064883	B1	8/2005
				EP	1067876	B1	8/2005
				EP	0870473	B1	9/2005

US D650,074 S

Page 5

EP	1157666	B1	9/2005	GB	2284242	A	5/1995
EP	0880338	B1	10/2005	GB	2336214	A	10/1999
EP	1158917	B1	11/2005	GB	2425903	A	11/2006
EP	1344498	B1	11/2005	JP	6007357	A	1/1994
EP	1330989	B1	12/2005	JP	7051273	A	2/1995
EP	0771176	B2	1/2006	JP	8033641	A	2/1996
EP	1621138	A2	2/2006	JP	8229050	A	9/1996
EP	1621139	A2	2/2006	JP	2000033071	A	2/2000
EP	1621141	A2	2/2006	JP	2000171730	A	6/2000
EP	1621145	A2	2/2006	JP	2000287987	A	10/2000
EP	1621151	A2	2/2006	JP	2000325303	A	11/2000
EP	1034746	B1	3/2006	JP	2001286477	A	10/2001
EP	1632191	A2	3/2006	JP	2002143078	A	5/2002
EP	1065981	B1	5/2006	JP	2002369820	A	12/2002
EP	1082944	B1	5/2006	JP	2005505322	T	2/2005
EP	1652481	A2	5/2006	JP	2005103293	A	4/2005
EP	1382303	B1	6/2006	JP	2005131163	A	5/2005
EP	1253866	B1	7/2006	JP	2005131164	A	5/2005
EP	1032318	B1	8/2006	JP	2005131173	A	5/2005
EP	1045672	B1	8/2006	JP	2005131211	A	5/2005
EP	1617768	B1	8/2006	JP	2005131212	A	5/2005
EP	1693015	A2	8/2006	JP	2005137423	A	6/2005
EP	1400214	B1	9/2006	JP	2005152416	A	6/2005
EP	1702567	A2	9/2006	JP	2006-281405	A	10/2006
EP	1129665	B1	11/2006	RU	2187249	C2	8/2002
EP	1400206	B1	11/2006	RU	2225170	C2	3/2004
EP	1256317	B1	12/2006	SU	886900	A1	12/1981
EP	1728473	A1	12/2006	SU	1377053	A1	2/1988
EP	1728475	A2	12/2006	SU	1561964	A1	5/1990
EP	1479346	B1	1/2007	SU	1722476	A1	3/1992
EP	1484024	B1	1/2007	WO	WO 91/15157	A1	10/1991
EP	1754445	A2	2/2007	WO	WO 92/21300	A1	12/1992
EP	1759812	A1	3/2007	WO	WO 93/08755	A1	5/1993
EP	1767163	A1	3/2007	WO	WO 93/13718	A1	7/1993
EP	1769756	A1	4/2007	WO	WO 93/14690	A1	8/1993
EP	1769758	A1	4/2007	WO	WO 93/15850	A1	8/1993
EP	1581128	B1	5/2007	WO	WO 93/19681	A1	10/1993
EP	1785097	A2	5/2007	WO	WO 94/00060	A1	1/1994
EP	1790293	A2	5/2007	WO	WO 94/11057	A1	5/1994
EP	1800610	A1	6/2007	WO	WO 94/12108	A1	6/1994
EP	1300117	B1	8/2007	WO	WO 94/18893	A1	9/1994
EP	1813199	A1	8/2007	WO	WO 94/22378	A1	10/1994
EP	1813201	A1	8/2007	WO	WO 94/23659	A1	10/1994
EP	1813203	A2	8/2007	WO	WO 95/02369	A1	1/1995
EP	1813207	A1	8/2007	WO	WO 95/03743	A1	2/1995
EP	1813209	A1	8/2007	WO	WO 95/06817	A1	3/1995
EP	1487359	B1	10/2007	WO	WO 95/09576	A1	4/1995
EP	1599146	B1	10/2007	WO	WO 95/09577	A1	4/1995
EP	1839596	A1	10/2007	WO	WO 95/14436	A1	6/1995
EP	1402821	B1	12/2007	WO	WO 95/17855	A1	7/1995
EP	1872727	A1	1/2008	WO	WO 95/18383	A1	7/1995
EP	1897502	A1	3/2008	WO	WO 95/18572	A1	7/1995
EP	1330201	B1	6/2008	WO	WO 95/19739	A1	7/1995
EP	1702568	B1	7/2008	WO	WO 95/20360	A1	8/1995
EP	1943976	A2	7/2008	WO	WO 95/23557	A1	9/1995
EP	1593337	B1	8/2008	WO	WO 95/24865	A1	9/1995
EP	1970014	A1	9/2008	WO	WO 95/25471	A3	9/1995
EP	1980213	A2	10/2008	WO	WO 95/26562	A1	10/1995
EP	1759645	B1	11/2008	WO	WO 95/29639	A1	11/1995
EP	1693008	B1	12/2008	WO	WO 96/04858	A1	2/1996
EP	1759640	B1	12/2008	WO	WO 96/19151	A1	6/1996
EP	2000102	A2	12/2008	WO	WO 96/19152	A1	6/1996
EP	1749486	B1	3/2009	WO	WO 96/20652	A1	7/1996
EP	1721576	B1	4/2009	WO	WO 96/21119	A1	7/1996
EP	2090256	A2	8/2009	WO	WO 96/22055	A1	7/1996
EP	1607050	B1	12/2009	WO	WO 96/23448	A1	8/1996
EP	1566150	B1	4/2010	WO	WO 96/24301	A1	8/1996
EP	1813206	B1	4/2010	WO	WO 96/27337	A1	9/1996
EP	1769754	B1	6/2010	WO	WO 96/35464	A1	11/1996
EP	1535565	B1	10/2010	WO	WO 96/39085	A1	12/1996
EP	1702570	B1	10/2010	WO	WO 96/39086	A1	12/1996
FR	999646	A	2/1952	WO	WO 96/39087	A1	12/1996
FR	1112936	A	3/1956	WO	WO 96/39088	A1	12/1996
FR	2765794		1/1999	WO	WO 96/39089	A1	12/1996
GB	939929	A	10/1963	WO	WO 97/00646	A1	1/1997
GB	1210522	A	10/1970	WO	WO 97/00647	A1	1/1997
GB	1217159	A	12/1970	WO	WO 97/06582	A1	2/1997
GB	2109241	A	6/1983	WO	WO 97/10763	A1	3/1997
GB	2272159	A	5/1994	WO	WO 97/10764	A1	3/1997

US D650,074 S

Page 6

WO	WO 97/11648	A2	4/1997	WO	WO 03/063694	A1	8/2003
WO	WO 97/11649	A1	4/1997	WO	WO 03/077769	A1	9/2003
WO	WO 97/15237	A1	5/1997	WO	WO 03/079911	A1	10/2003
WO	WO 97/24073	A1	7/1997	WO	WO 03/082126	A1	10/2003
WO	WO 97/24993	A1	7/1997	WO	WO 03/088845	A2	10/2003
WO	WO 97/30644	A1	8/1997	WO	WO 03/090630	A2	11/2003
WO	WO 97/34533	A1	9/1997	WO	WO 03/094743	A1	11/2003
WO	WO 97/37598	A1	10/1997	WO	WO 03/094745	A1	11/2003
WO	WO 97/39688	A2	10/1997	WO	WO 03/094746	A1	11/2003
WO	WO 98/17180	A1	4/1998	WO	WO 03/094747	A1	11/2003
WO	WO 98/27880	A1	7/1998	WO	WO 03/101313	A1	12/2003
WO	WO 98/30153	A1	7/1998	WO	WO 03/105698	A2	12/2003
WO	WO 98/47436	A1	10/1998	WO	WO 03/105702	A2	12/2003
WO	WO 99/03407	A1	1/1999	WO	WO 2004/006980	A2	1/2004
WO	WO 99/03408	A1	1/1999	WO	WO 2004/019769	A1	3/2004
WO	WO 99/03409	A1	1/1999	WO	WO 2004/021868	A2	3/2004
WO	WO 99/12483	A1	3/1999	WO	WO 2004/028585	A2	4/2004
WO	WO 99/12487	A1	3/1999	WO	WO 2004/032754	A2	4/2004
WO	WO 99/12488	A1	3/1999	WO	WO 2004/032760	A2	4/2004
WO	WO 99/15086	A1	4/1999	WO	WO 2004/032762	A1	4/2004
WO	WO 99/15091	A1	4/1999	WO	WO 2004/032763	A2	4/2004
WO	WO 99/23933	A2	5/1999	WO	WO 2004/034875	A2	4/2004
WO	WO 99/23959	A1	5/1999	WO	WO 2004/047626	A1	6/2004
WO	WO 99/25261	A1	5/1999	WO	WO 2004/047653	A2	6/2004
WO	WO 99/29244	A1	6/1999	WO	WO 2004/049956	A2	6/2004
WO	WO 99/34744	A1	7/1999	WO	WO 2004/052426	A2	6/2004
WO	WO 99/45849	A1	9/1999	WO	WO 2004/056276	A1	7/2004
WO	WO 99/48430	A1	9/1999	WO	WO 2004/056277	A1	7/2004
WO	WO 99/51158	A1	10/1999	WO	WO 2004/062516	A1	7/2004
WO	WO 00/24322	A1	5/2000	WO	WO 2004/078050	A2	9/2004
WO	WO 00/24330	A1	5/2000	WO	WO 2004/078051	A2	9/2004
WO	WO 00/41638	A1	7/2000	WO	WO 2004/086987	A1	10/2004
WO	WO 00/48506	A1	8/2000	WO	WO 2004/096015	A2	11/2004
WO	WO 00/53112	A2	9/2000	WO	WO 2004/096057	A2	11/2004
WO	WO 00/54653	A1	9/2000	WO	WO 2004/103157	A2	12/2004
WO	WO 00/57796	A1	10/2000	WO	WO 2004/105593	A1	12/2004
WO	WO 00/64365	A1	11/2000	WO	WO 2004/105621	A1	12/2004
WO	WO 00/72762	A1	12/2000	WO	WO 2004/112618	A2	12/2004
WO	WO 00/72765	A1	12/2000	WO	WO 2004/112652	A2	12/2004
WO	WO 01/03587	A1	1/2001	WO	WO 2005/027983	A2	3/2005
WO	WO 01/05702	A1	1/2001	WO	WO 2005/037329	A2	4/2005
WO	WO 01/010482	A1	2/2001	WO	WO 2005/044078	A2	5/2005
WO	WO 01/35845	A1	5/2001	WO	WO 2005/055846	A1	6/2005
WO	WO 01/54594	A1	8/2001	WO	WO 2005/072634	A2	8/2005
WO	WO 01/58371	A1	8/2001	WO	WO 2005/078892	A1	8/2005
WO	WO 01/62158	A2	8/2001	WO	WO 2005/096954	A2	10/2005
WO	WO 01/62161	A1	8/2001	WO	WO 2005/112806	A2	12/2005
WO	WO 01/62162	A1	8/2001	WO	WO 2005/112808	A1	12/2005
WO	WO 01/62164	A2	8/2001	WO	WO 2005/115251	A2	12/2005
WO	WO 01/62169	A2	8/2001	WO	WO 2005/117735	A1	12/2005
WO	WO 01/78605	A2	10/2001	WO	WO 2005/122936	A1	12/2005
WO	WO 01/91646	A1	12/2001	WO	WO 2006/044490	A2	4/2006
WO	WO 02/07608	A2	1/2002	WO	WO 2006/044581	A2	4/2006
WO	WO 02/07618	A1	1/2002	WO	WO 2006/044810	A2	4/2006
WO	WO 02/17799	A1	3/2002	WO	WO 2006/051252	A1	5/2006
WO	WO 02/19920	A1	3/2002	WO	WO 2006/059067	A1	6/2006
WO	WO 02/19932	A1	3/2002	WO	WO 2006/083748	A1	8/2006
WO	WO 02/30297	A2	4/2002	WO	WO 2006/092563	A1	9/2006
WO	WO 02/32322	A2	4/2002	WO	WO 2006/092565	A1	9/2006
WO	WO 02/36028	A1	5/2002	WO	WO 2006/115958	A1	11/2006
WO	WO 02/43571	A2	6/2002	WO	WO 2006/125940	A1	11/2006
WO	WO 02/058568	A1	8/2002	WO	WO 2006/132992	A1	12/2006
WO	WO 02/060328	A1	8/2002	WO	WO 2007/002180	A2	1/2007
WO	WO 02/067785	A2	9/2002	WO	WO 2007/016290	A2	2/2007
WO	WO 02/098302	A1	12/2002	WO	WO 2007/018898	A2	2/2007
WO	WO 03/000138	A2	1/2003	WO	WO 2007/098220	A2	8/2007
WO	WO 03/001329	A2	1/2003	WO	WO 2007/121579	A1	11/2007
WO	WO 03/013363	A1	2/2003	WO	WO 2007/137304	A2	11/2007
WO	WO 03/015604	A2	2/2003	WO	WO 2007/139734	A2	12/2007
WO	WO 03/020106	A2	3/2003	WO	WO 2007/142625	A2	12/2007
WO	WO 03/020139	A2	3/2003	WO	WO 2008/021969	A2	2/2008
WO	WO 03/024339	A1	3/2003	WO	WO 2008/039270	A1	4/2008
WO	WO 03/079909	A3	3/2003	WO	WO 2008/045383	A2	4/2008
WO	WO 03/030743	A2	4/2003	WO	WO 2008/109125	A1	9/2008
WO	WO 03/037193	A1	5/2003				
WO	WO 03/047436	A3	6/2003				
WO	WO 03/055402	A1	7/2003				
WO	WO 03/057048	A1	7/2003				
WO	WO 03/057058	A1	7/2003				

OTHER PUBLICATIONS

C.C. Thompson et al., "Peroral Endoscopic Reduction of Dilated Gastrojejunal Anastomosis After Roux-en-Y Gastric Bypass: A Pos-

sible New Option for Patients with Weight Regain,” *Surg Endosc* (2006) vol. 20, pp. 1744-1748.

B.R. Coolman, DVM, MS et al., “Comparison of Skin Staples With Sutures for Anastomosis of the Small Intestine in Dogs,” Abstract; <http://www.blackwell-synergy.com/doi/abs/10.1053/jvet.2000.7539?cookieSet=1&journalCode=vsu> which redirects to <http://www3.interscience.wiley.com/journal/119040681/abstract?CRETRY=1&SRETRY=0>; [online] accessed: Sep. 22, 2008 (2 pages).

The Sodem Aseptic Battery Transfer Kit, Sodem Systems, 2000, 3 pages.

“Biomedical Coatings,” Fort Wayne Metals, Research Products Corporation, obtained online at www.fwmetals.com on Jun. 21, 2010 (1 page).

Van Meer et al., “A Disposable Plastic Compact Wrist for Smart Minimally Invasive Surgical Tools,” *LAAS/CNRS* (Aug. 2005).

Breedveld et al., “A New, Easily Miniaturized Sterrable Endoscope,” *IEEE Engineering in Medicine and Biology Magazine* (Nov./Dec. 2005).

D. Tuite, Ed., “Get The Lowdown On Ultracapacitors,” Nov. 15, 2007; [online] URL: <http://electronicdesign.com/Articles/Print.cfm?ArticleID=17465>, accessed Jan. 15, 2008 (5 pages).

* cited by examiner

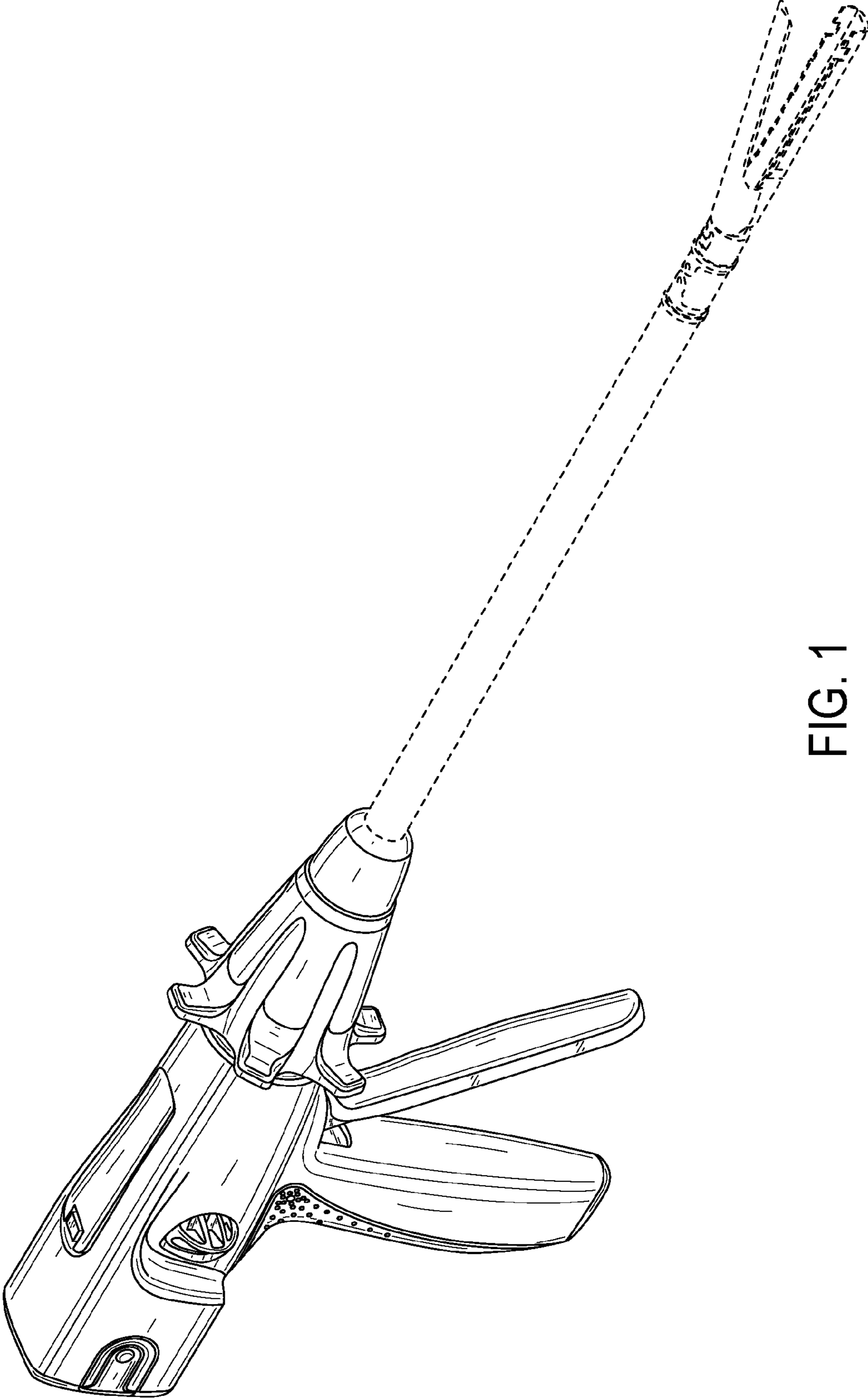


FIG. 1

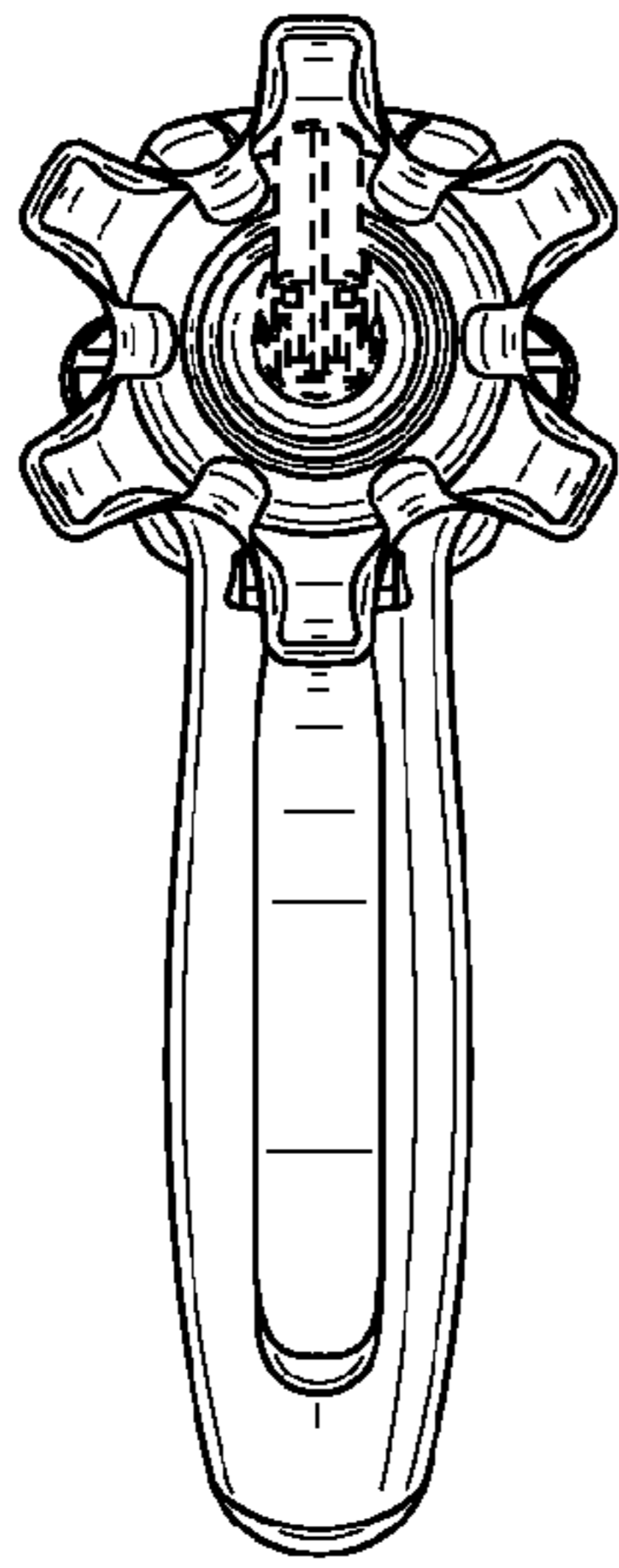


FIG. 2

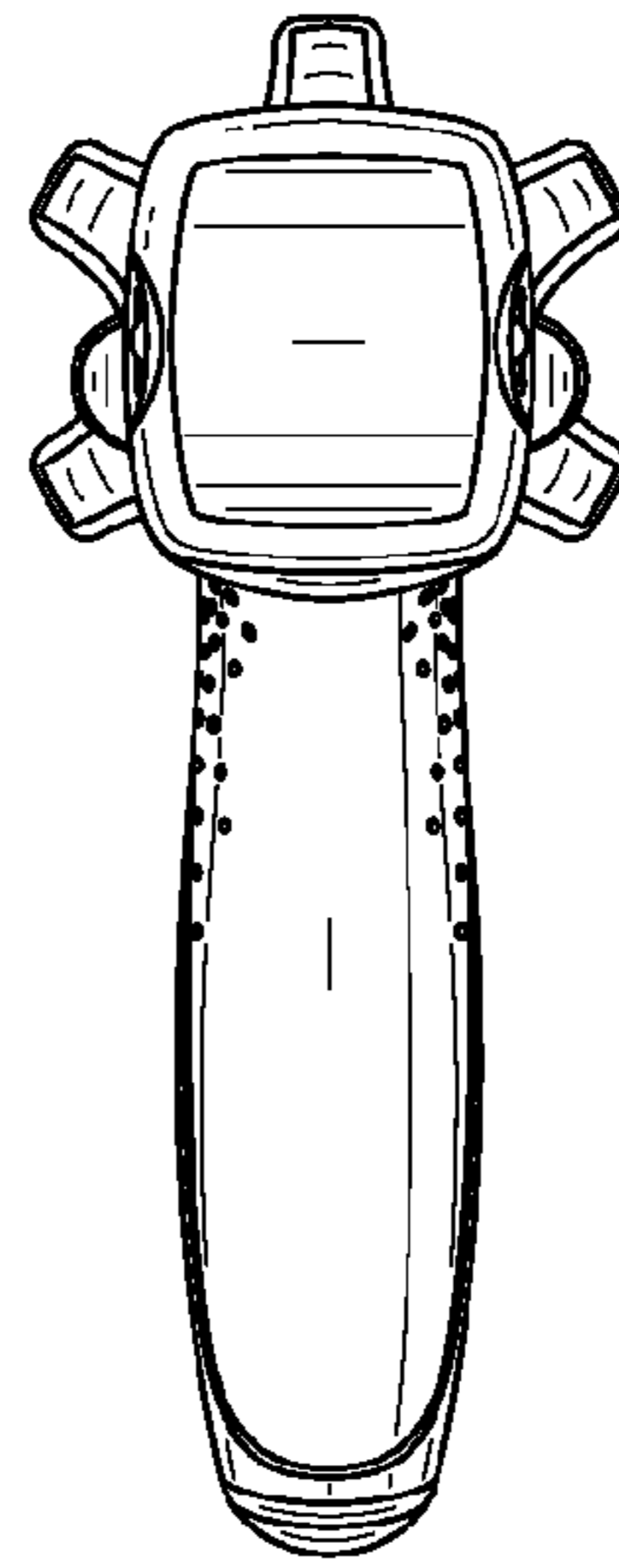


FIG. 3

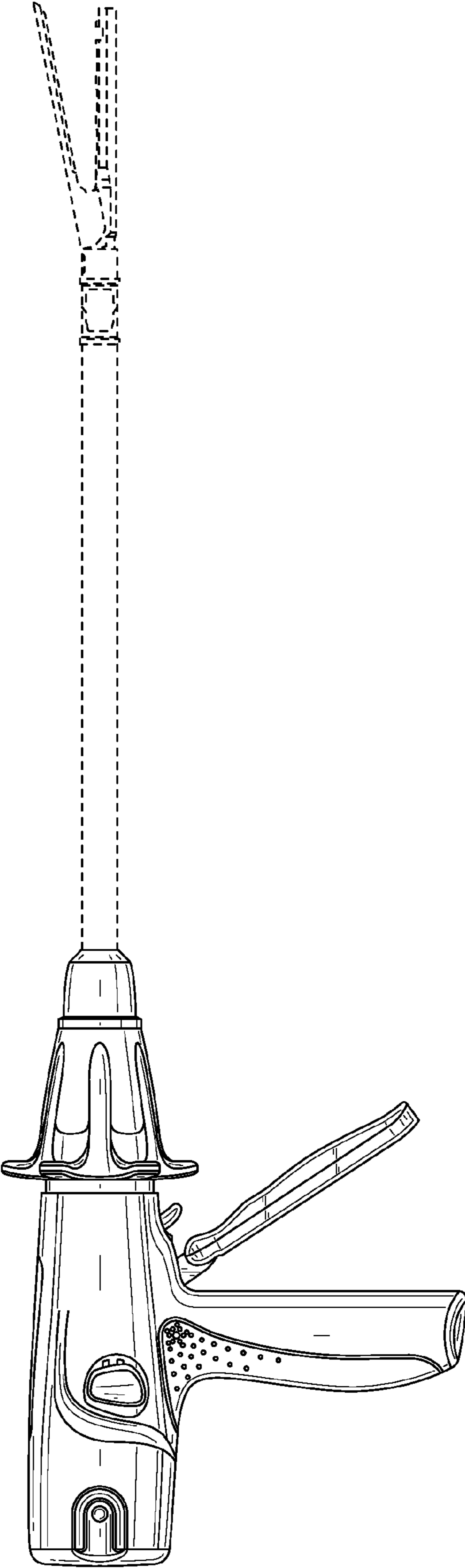


FIG. 4

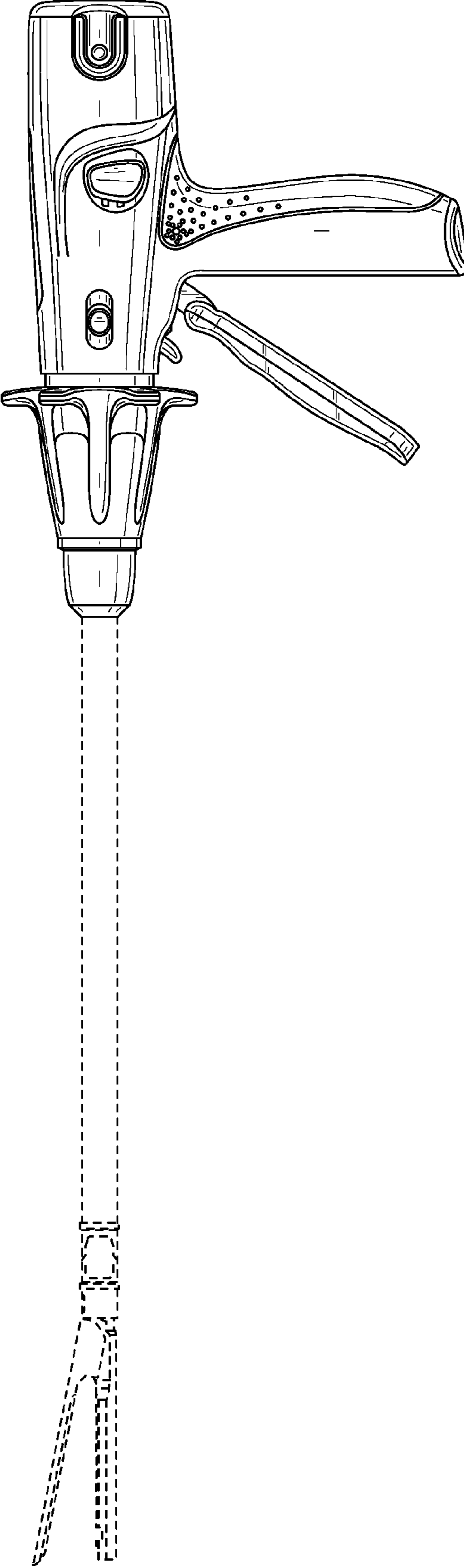


FIG. 5

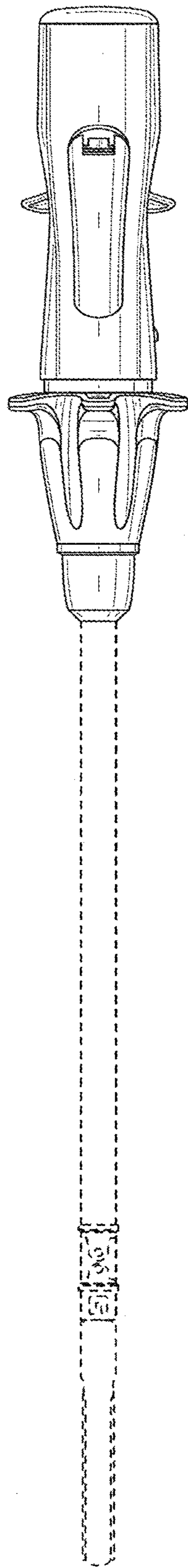


FIG. 6

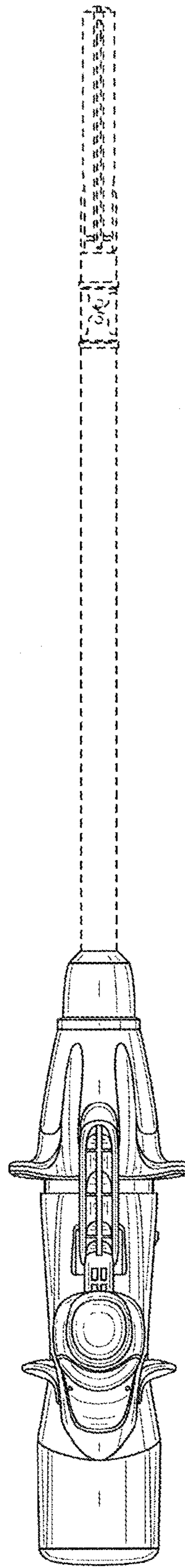


FIG. 7

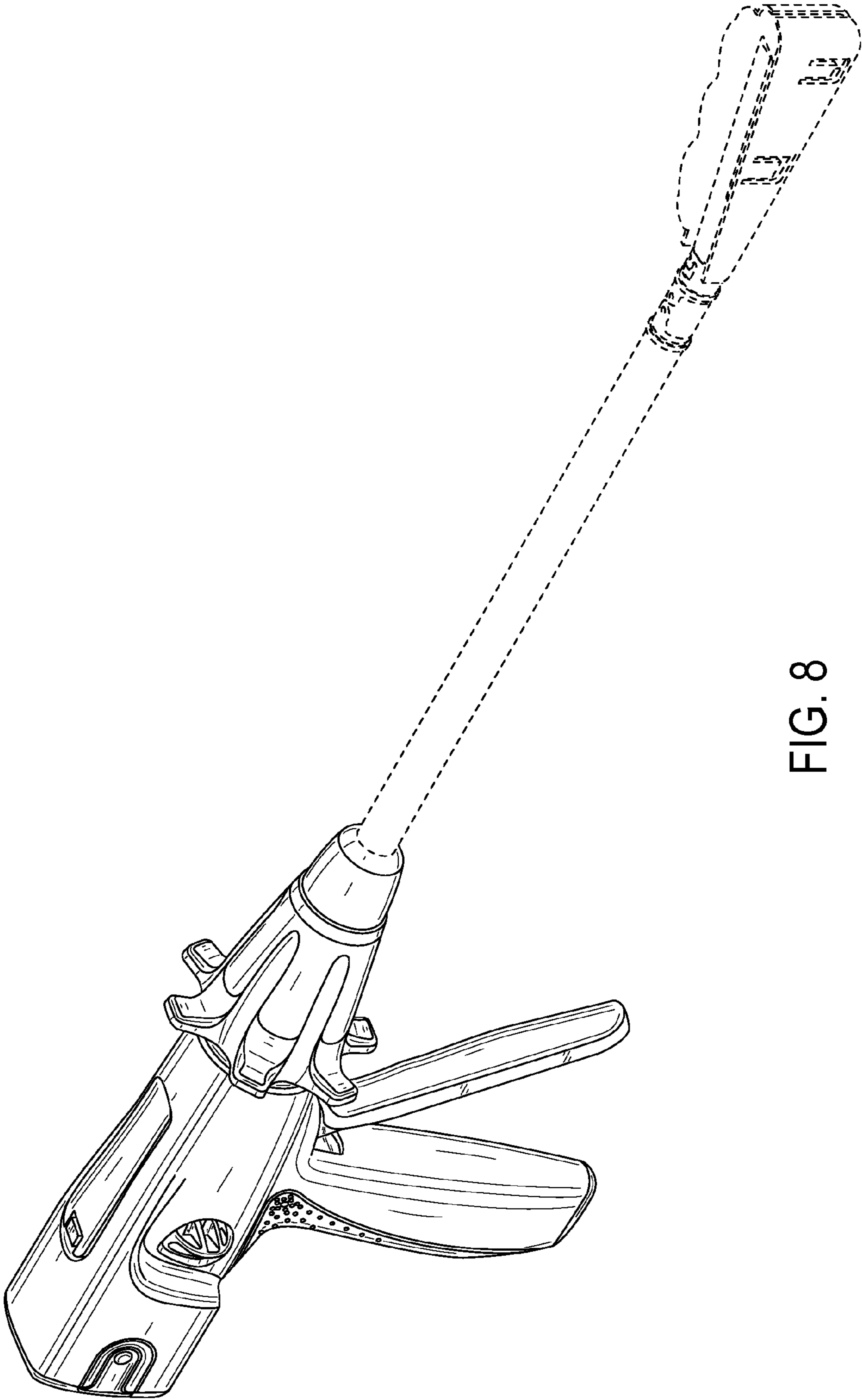


FIG. 8

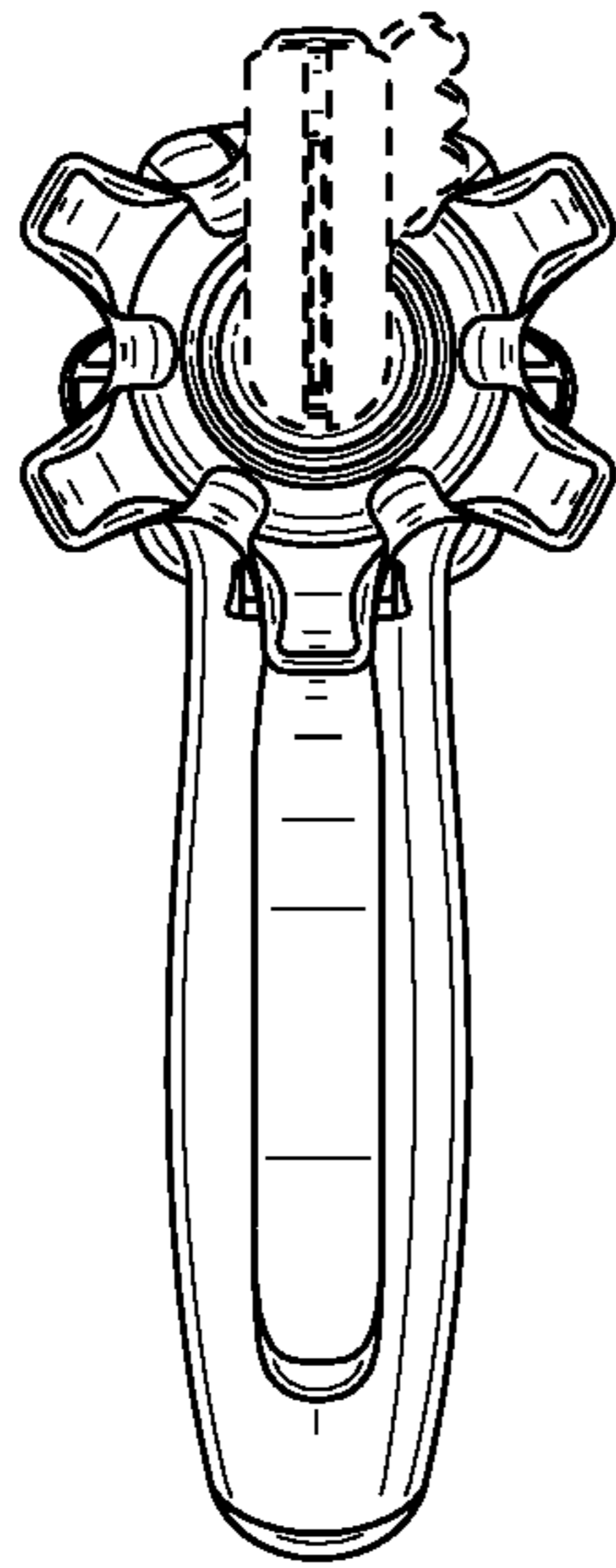


FIG. 9

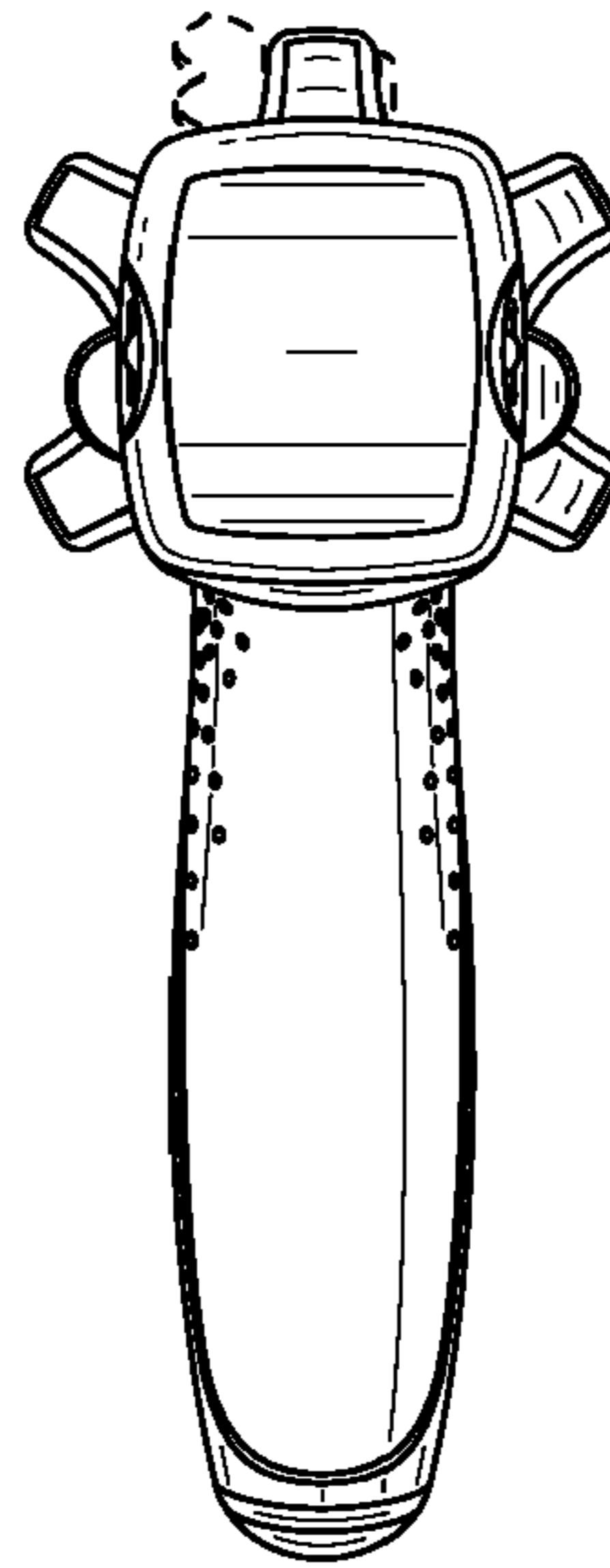


FIG. 10

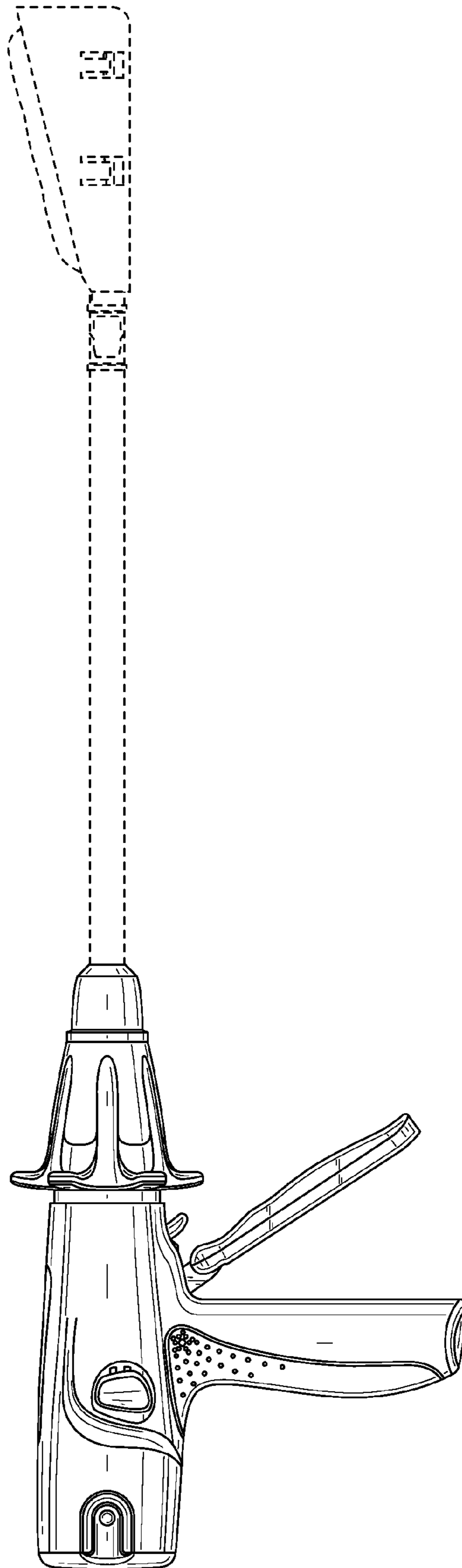


FIG. 11

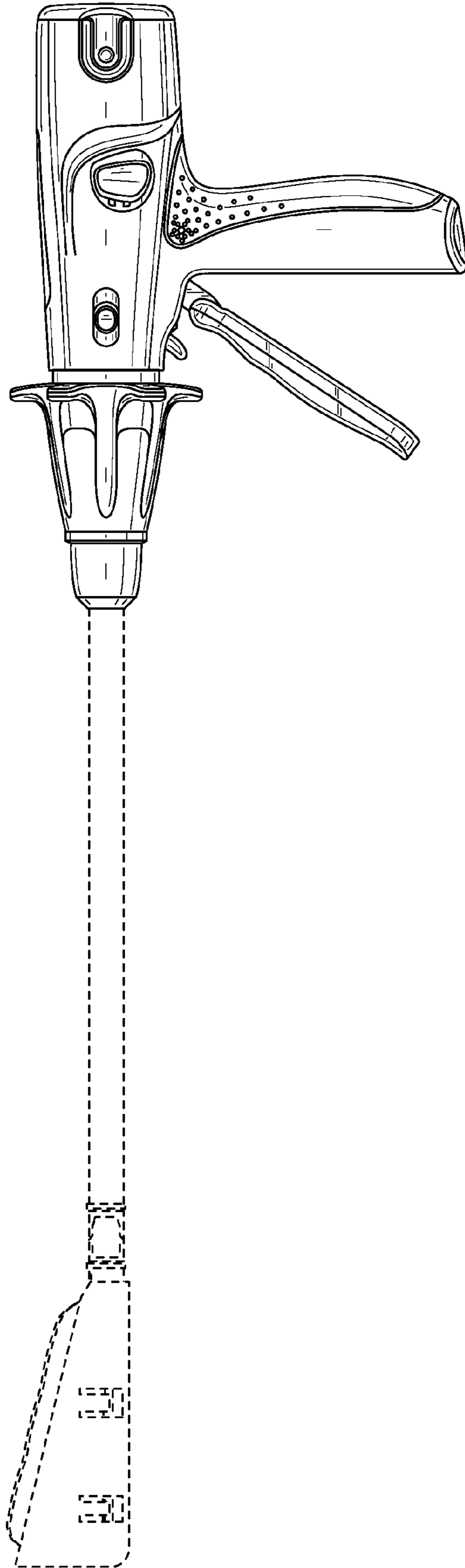


FIG. 12

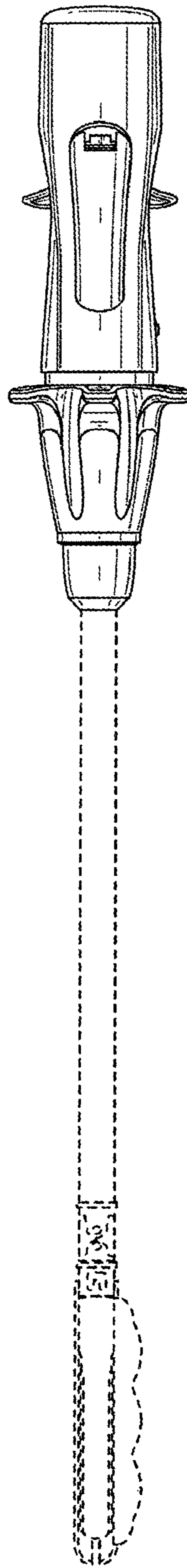


FIG. 13

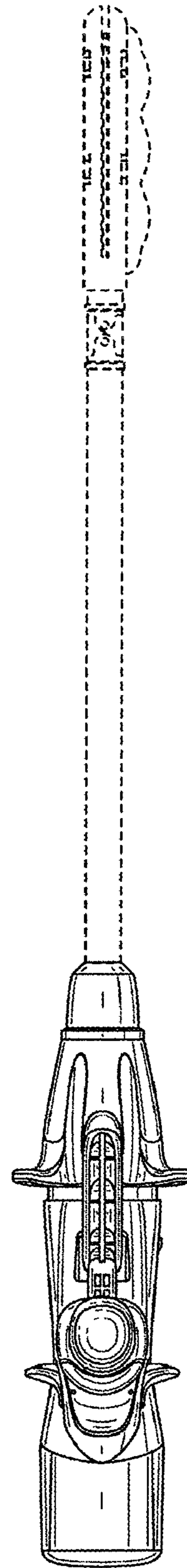


FIG. 14