



US00D650071S

(12) **United States Design Patent**
McCauley

(10) **Patent No.:** **US D650,071 S**

(45) **Date of Patent:** **** Dec. 6, 2011**

(54) **ORAL IRRIGATOR**

(76) Inventor: **Mark C. McCauley**, Delray Beach, FL
(US)

(**) Term: **14 Years**

(21) Appl. No.: **29/386,696**

(22) Filed: **Mar. 3, 2011**

(51) **LOC (9) Cl.** **24-02**

(52) **U.S. Cl.** **D24/114; D24/112**

(58) **Field of Classification Search** D24/108,
D24/111-114, 130, 133, 146-147, 152, 156,
D24/176; 433/83, 89-90; 604/110, 207-209,
604/187, 210-211, 223

See application file for complete search history.

(56) **References Cited**

U.S. PATENT DOCUMENTS

723,822	A *	3/1903	Buchanan	433/90
2,678,647	A *	5/1954	Bruger	D24/114
2,902,995	A *	9/1959	Loper	D24/114
D277,134	S *	1/1985	Dragan	D24/114
D306,069	S *	2/1990	Kelly et al.	D24/114
5,324,273	A *	6/1994	Discko, Jr.	433/90
5,927,562	A *	7/1999	Hammen et al.	433/90
D412,746	S *	8/1999	Pasini	D24/112

D472,628	S *	4/2003	Hirayama et al.	D24/114
D484,239	S *	12/2003	Anderson	D24/114
2010/0261138	A1 *	10/2010	Ho et al.	433/90

* cited by examiner

Primary Examiner — Wan Laymon

(74) *Attorney, Agent, or Firm* — The Smiley IP Law Group,
P.A.; Scott D. Smiley

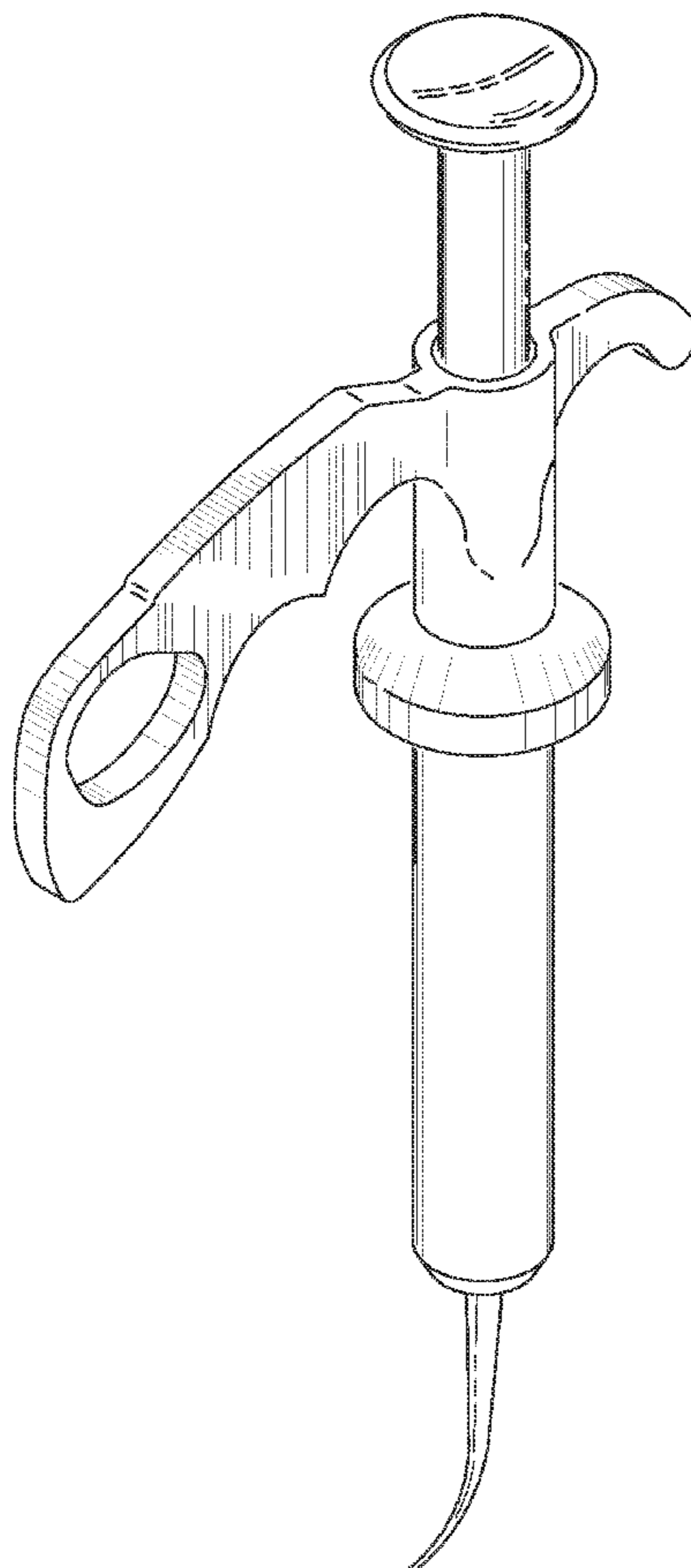
(57) **CLAIM**

The ornamental design for the oral irrigator, as shown and described.

DESCRIPTION

FIG. 1 is a top perspective view of an oral irrigator according to the present invention;
 FIG. 2 is a left-side elevational view of the oral irrigator of FIG. 1;
 FIG. 3 is a right-side elevational view of the oral irrigator of FIG. 1;
 FIG. 4 is a front elevational view of the oral irrigator of FIG. 1;
 FIG. 5 is a back elevational view of the oral irrigator of FIG. 1;
 FIG. 6 is a top plan view of the oral irrigator of FIG. 1; and,
 FIG. 7 is a bottom plan view of the oral irrigator of FIG. 1.

1 Claim, 6 Drawing Sheets



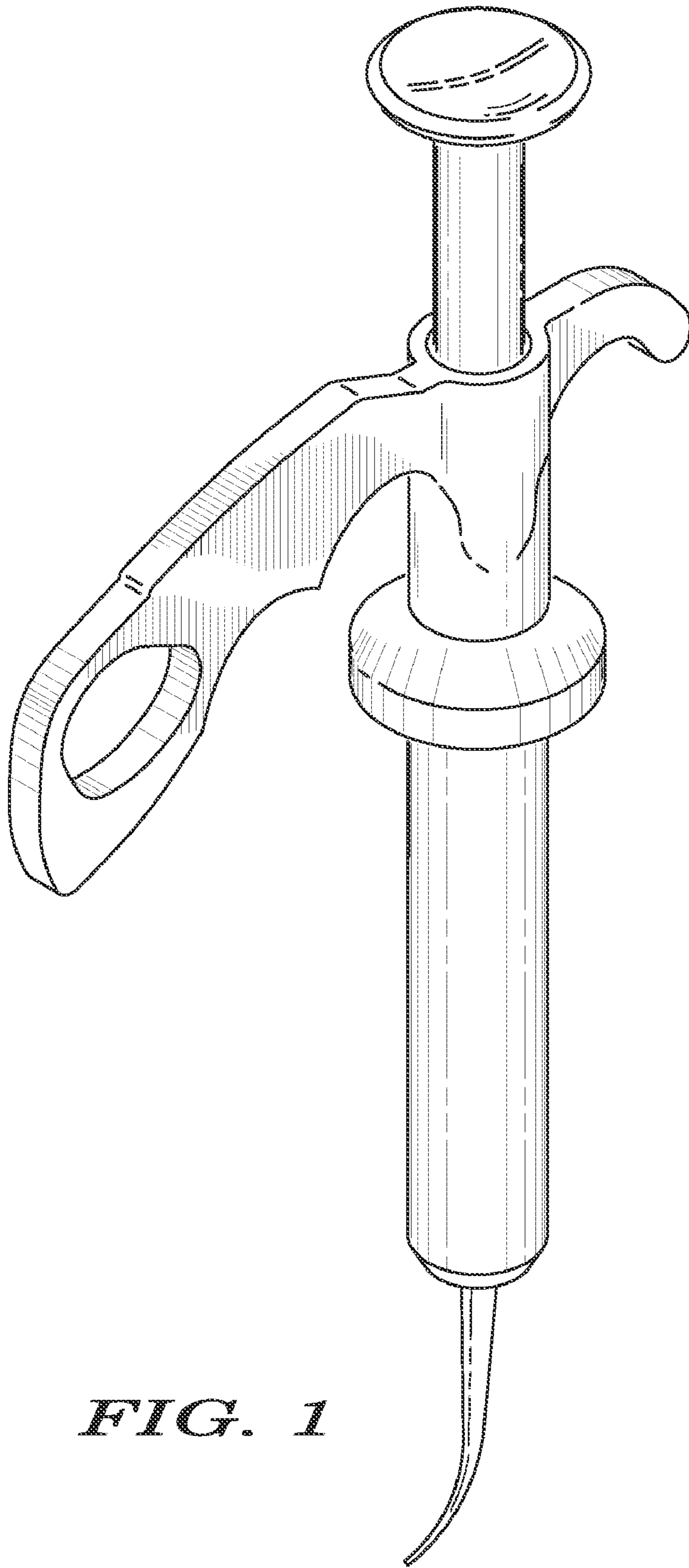


FIG. 1

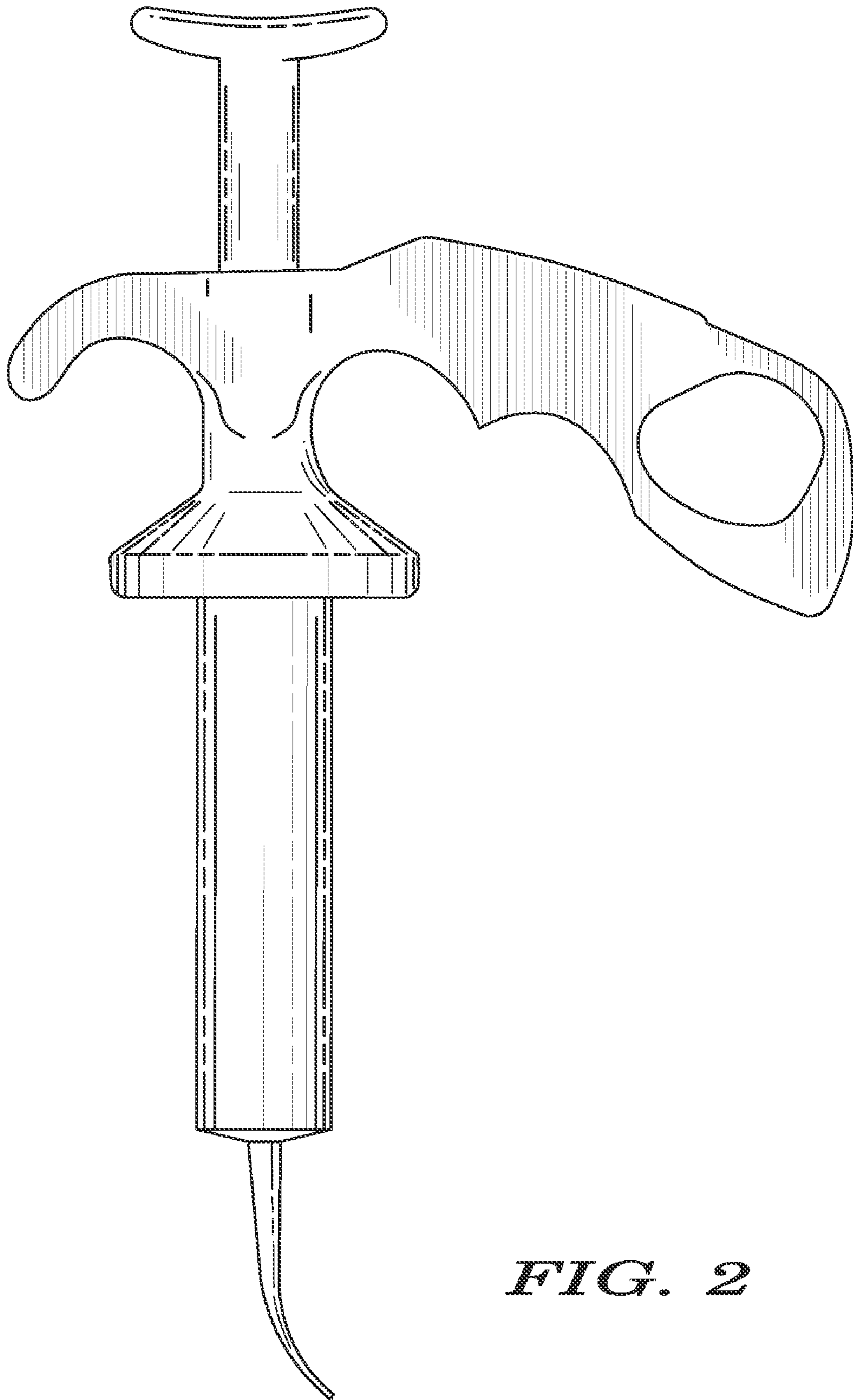


FIG. 2

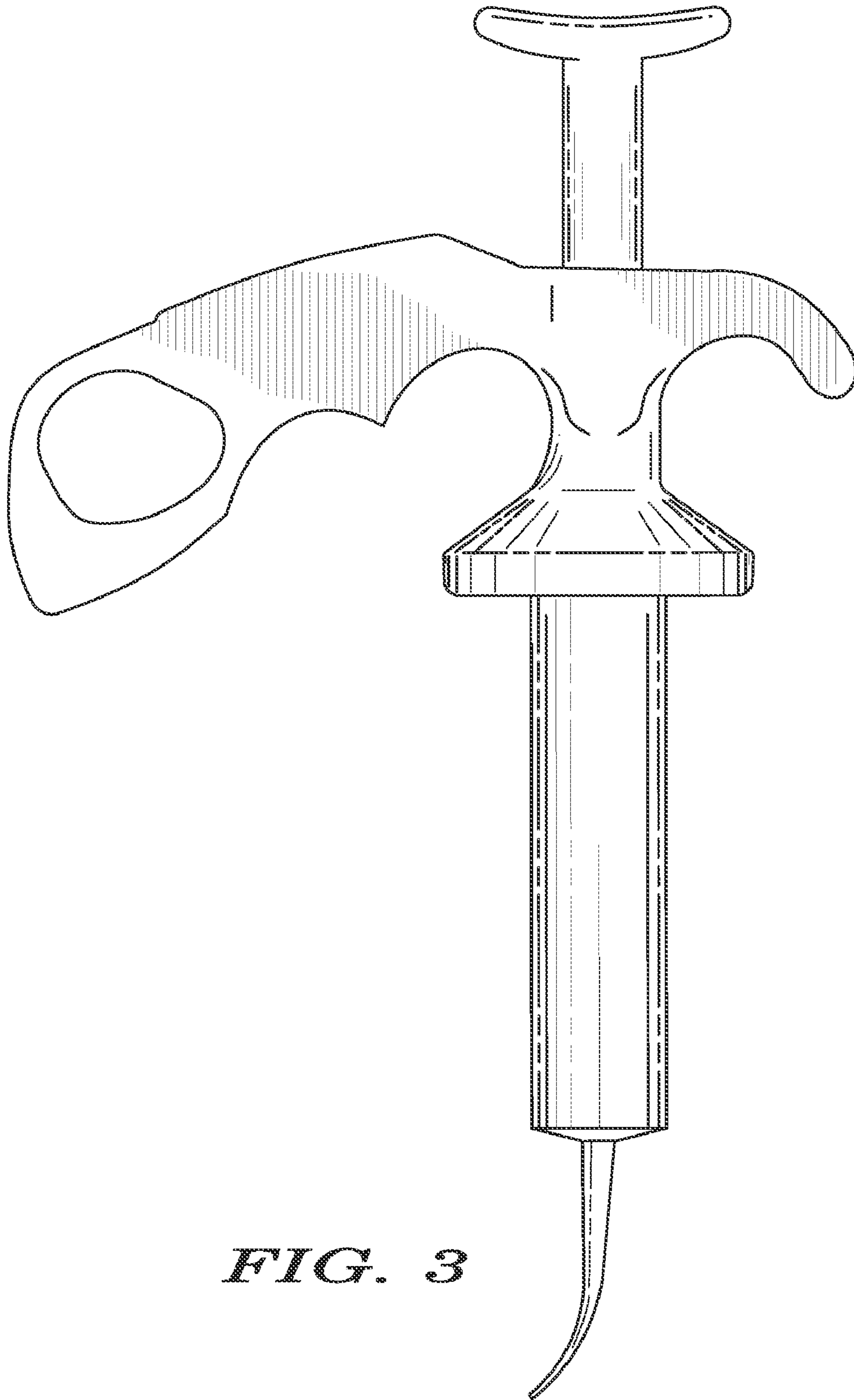


FIG. 3

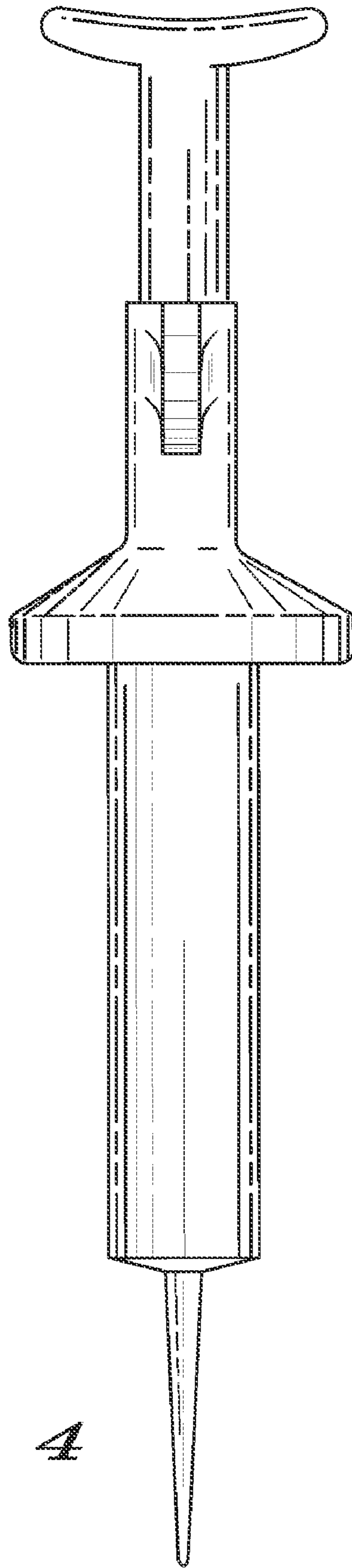


FIG. 4

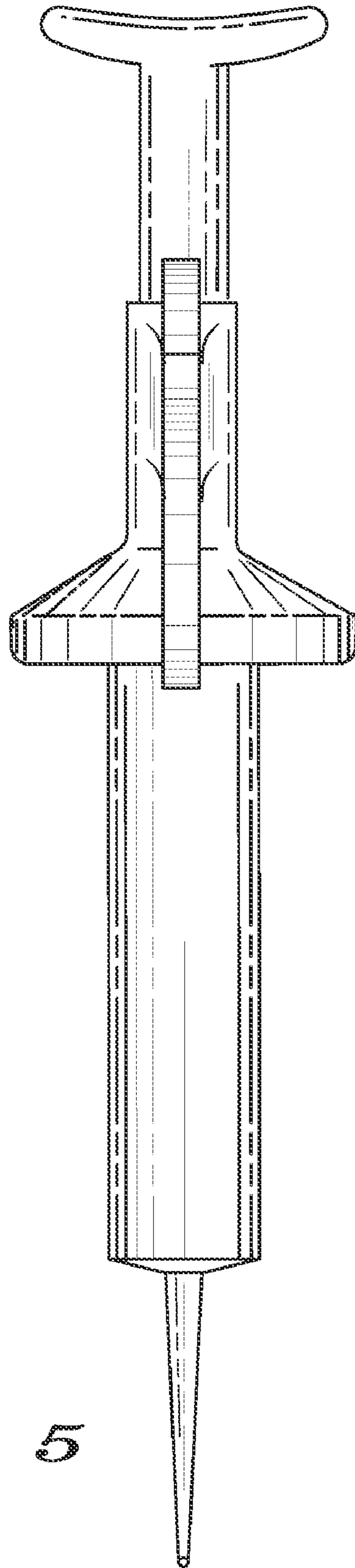


FIG. 5

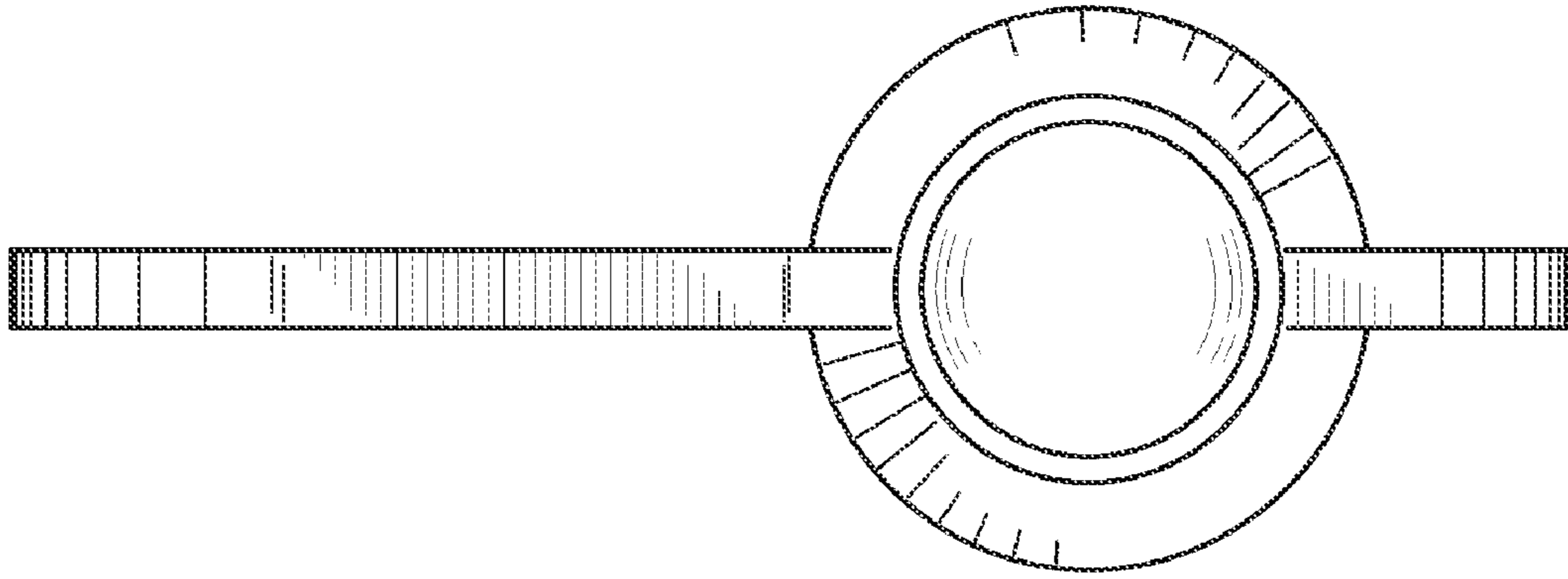


FIG. 6

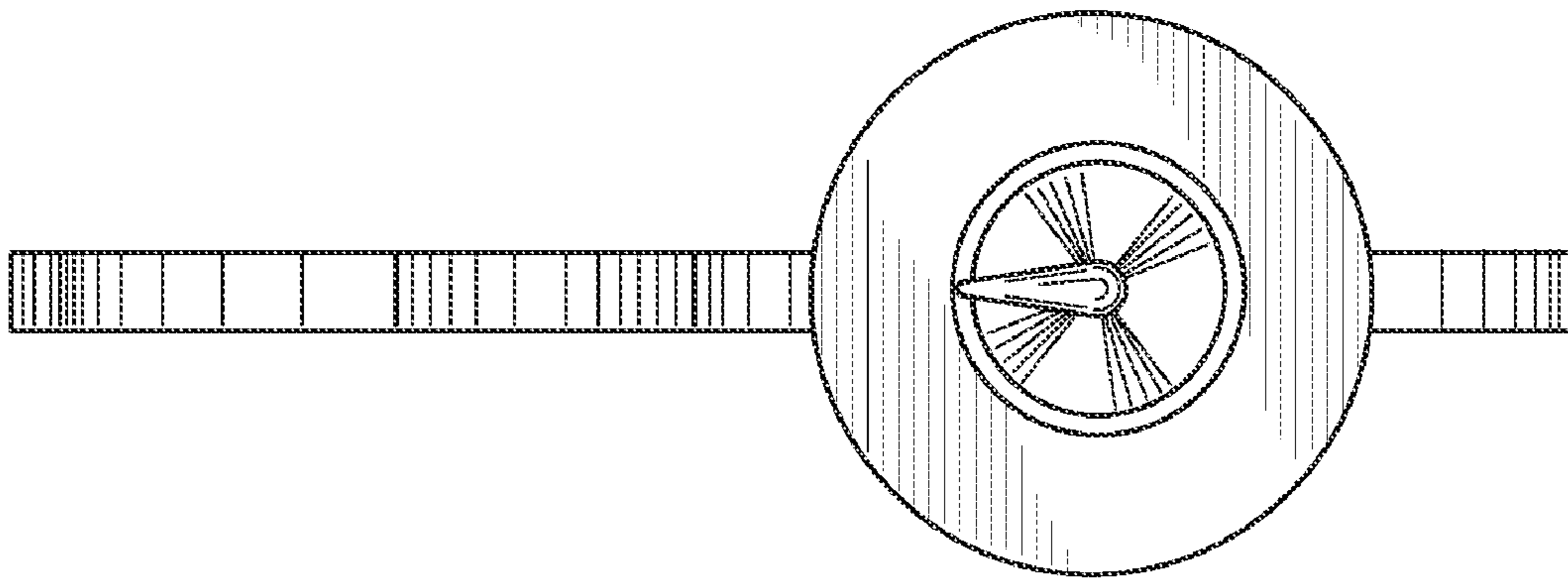


FIG. 7