



US00D650068S

(12) **United States Design Patent**
Fujioka et al.

(10) **Patent No.:** **US D650,068 S**

(45) **Date of Patent:** **** Dec. 6, 2011**

(54) **SYRINGE DRIVE DEVICE**

(75) Inventors: **Soichiro Fujioka**, Osaka (JP); **Mizuho Sakakibara**, Osaka (JP); **Shoichi Kobayashi**, Osaka (JP); **Tohru Nakamura**, Osaka (JP)

(73) Assignee: **Panasonic Corporation**, Osaka (JP)

(**) Term: **14 Years**

(21) Appl. No.: **29/346,940**

(22) Filed: **Nov. 9, 2009**

(30) **Foreign Application Priority Data**

May 15, 2009 (JP) 2009-10828

(51) **LOC (9) Cl.** **24-02**

(52) **U.S. Cl.** **D24/113**

(58) **Field of Classification Search** D24/112-115, D24/133, 186, 187, 104, 130, 127, 176; 606/181, 606/185; 604/232, 187, 158, 164.08, 192, 604/263, 163, 181, 184, 198, 227; D6/491, D6/601, 610, 611; D12/421, 217; D8/402, D8/403

See application file for complete search history.

(56) **References Cited**

U.S. PATENT DOCUMENTS

3,905,365	A	9/1975	Colombo	
4,512,767	A	4/1985	Denance	
D328,421	S *	8/1992	Weiler	D24/115
D337,821	S	7/1993	Tan	
D357,536	S	4/1995	Dragan et al.	
D359,560	S	6/1995	Mitchell	
D365,230	S *	12/1995	Tange	D6/491
D372,085	S *	7/1996	Williams	D24/104
D383,839	S	9/1997	Sullivan	
D386,930	S *	12/1997	Bissett	D6/610
D389,918	S *	1/1998	Ninomiya et al.	D24/186
D389,919	S *	1/1998	Ninomiya et al.	D24/186

D392,044	S *	3/1998	Mesaros et al.	D24/186
5,807,340	A	9/1998	Pokras	
D404,954	S *	2/1999	Spaeth	D6/601
D422,444	S *	4/2000	Lenahan et al.	D6/601
D449,693	S	10/2001	Shibuya et al.	
D453,376	S	2/2002	McMahon et al.	
D492,154	S *	6/2004	Martial	D6/611
D493,324	S *	7/2004	Rodgers	D6/601
D497,204	S	10/2004	Von Amende et al.	
D513,571	S *	1/2006	Haack	D6/601
D540,096	S *	4/2007	Fuksas et al.	D6/601
D542,073	S *	5/2007	Moshopoulos	D6/611
D543,621	S	5/2007	Khalaj	
D569,161	S *	5/2008	Gaddy	D6/601
D576,273	S	9/2008	McClintok et al.	
D604,550	S *	11/2009	Carter	D6/601
D629,525	S *	12/2010	Ladwig et al.	D24/187
D634,147	S *	3/2011	Joffe	D6/601
D637,439	S *	5/2011	Mettler	D6/601
D643,125	S *	8/2011	Seidel	D6/601

* cited by examiner

Primary Examiner — David Muller

(74) *Attorney, Agent, or Firm* — Brinks Hofer Gilson & Lione

(57) **CLAIM**

We claim the ornamental design for a syringe drive device, as shown and described.

DESCRIPTION

FIG. 1 is a top perspective view of a syringe drive device of the present invention;

FIG. 2 is a front view thereof;

FIG. 3 is a rear view thereof;

FIG. 4 is a first side view thereof;

FIG. 5 is a second side view thereof;

FIG. 6 is a top view thereof; and,

FIG. 7 is a bottom view thereof.

The broken line showing of syringe drive device is included for the purpose of illustrating environment and forms no part of the claimed design.

1 Claim, 7 Drawing Sheets

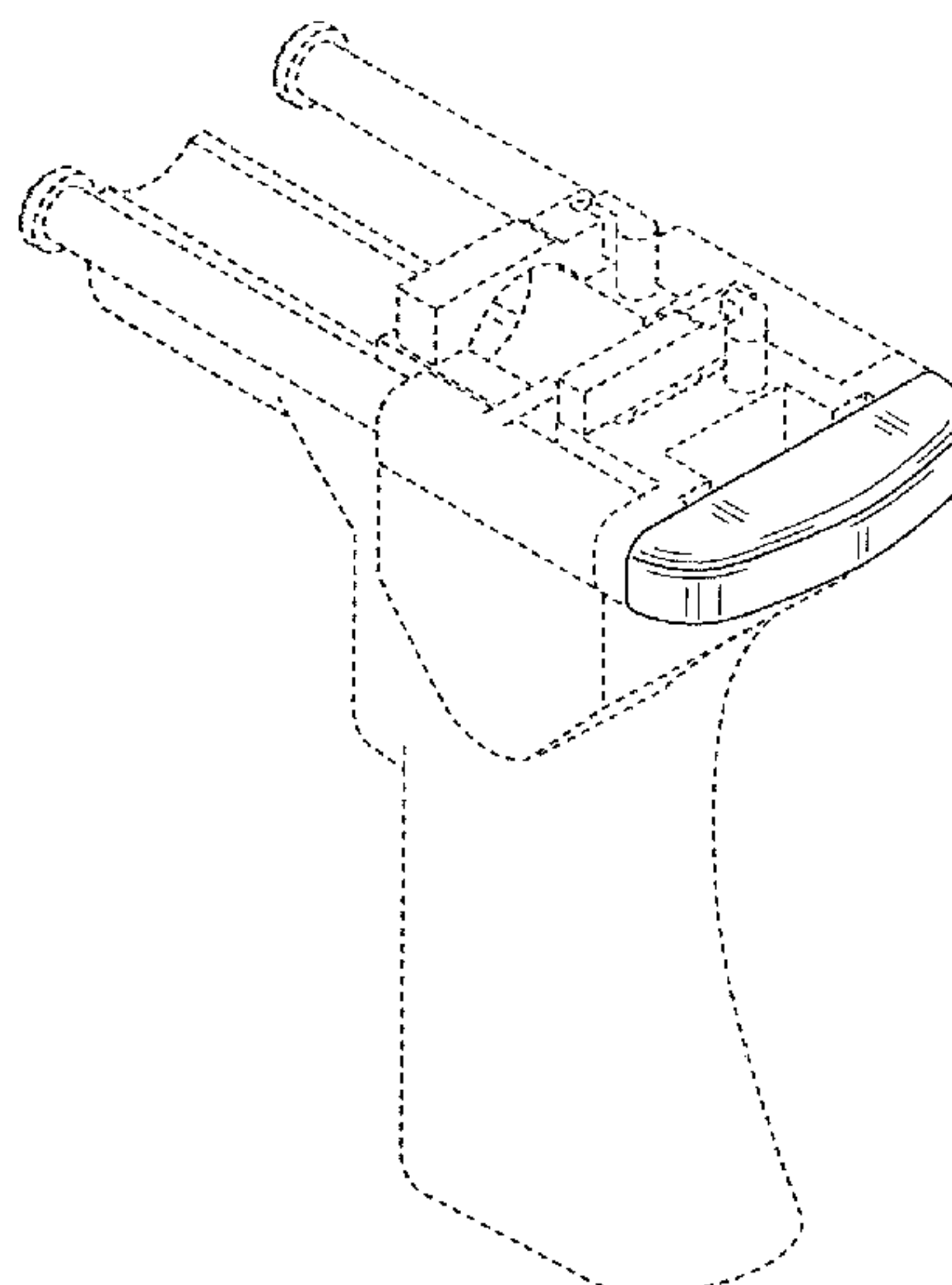


FIG.1

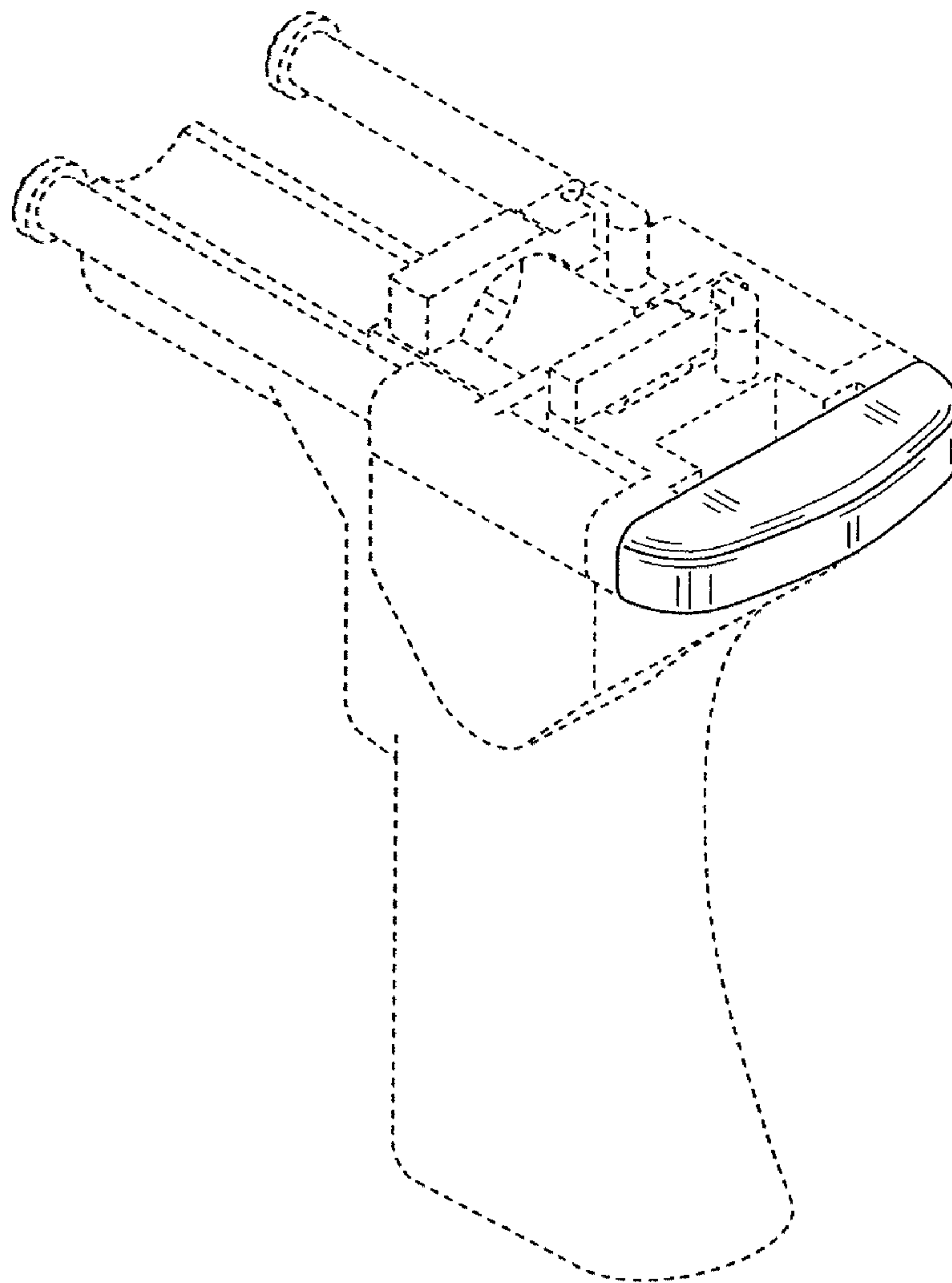


FIG.2

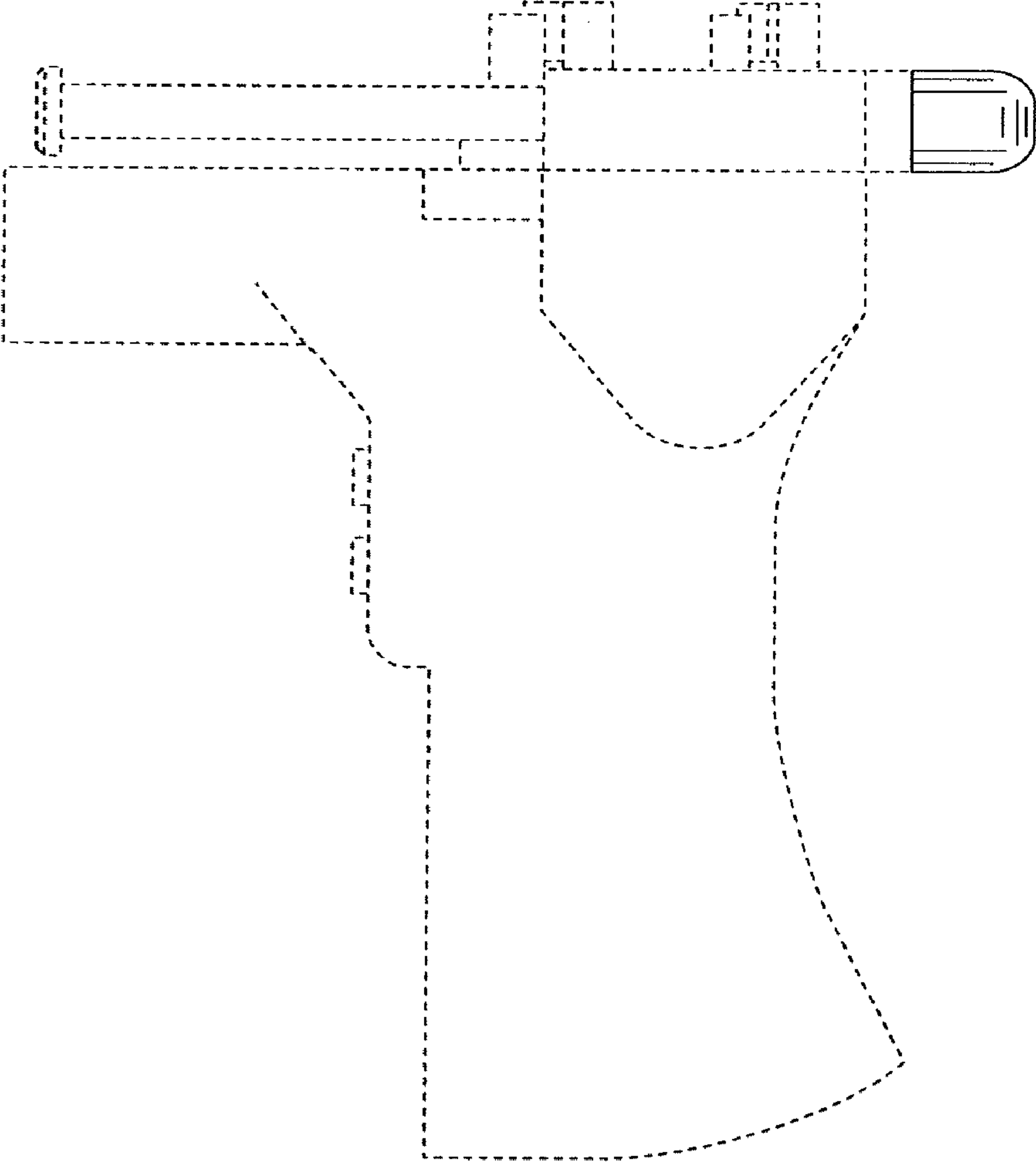


FIG.3

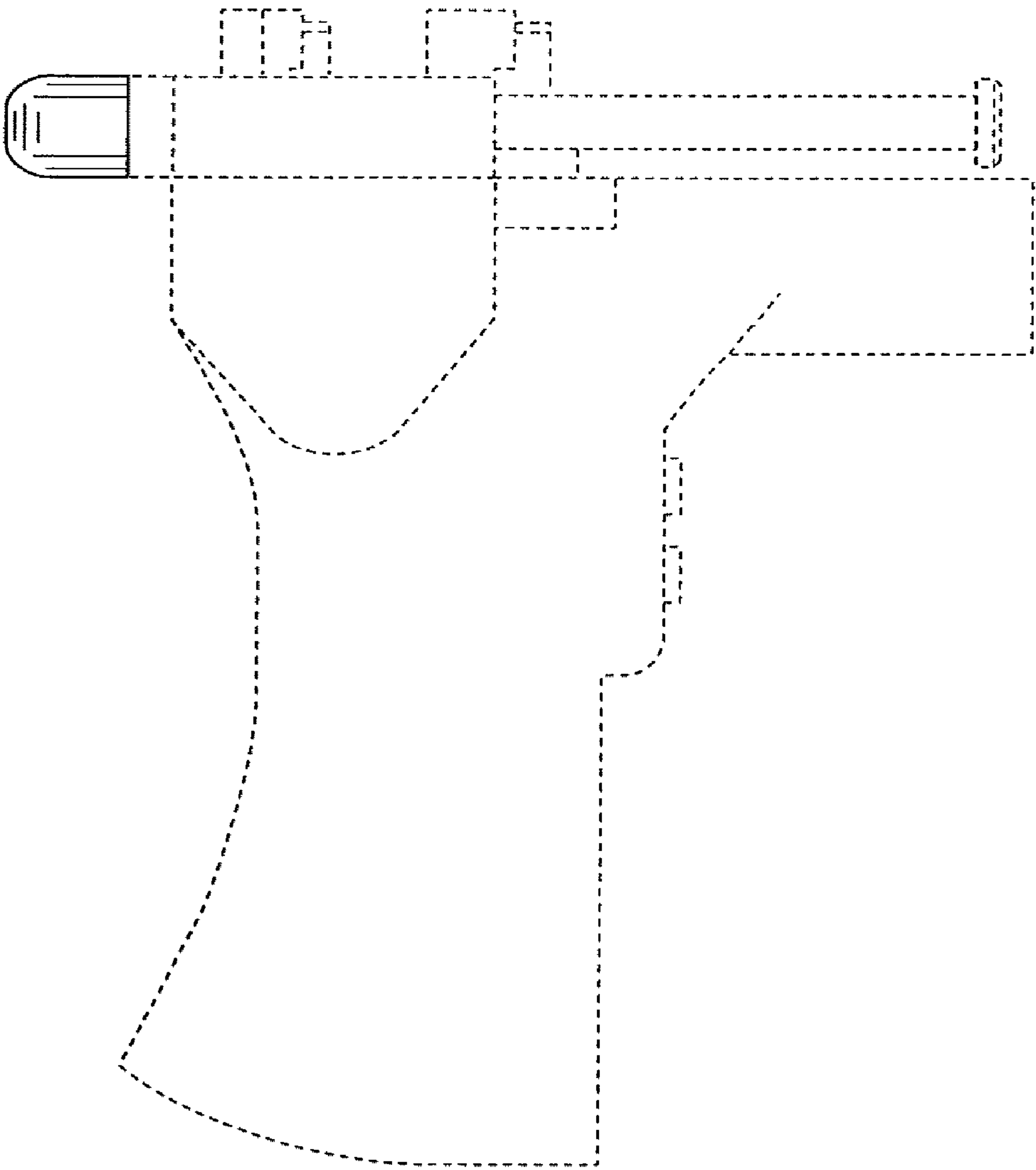


FIG.4

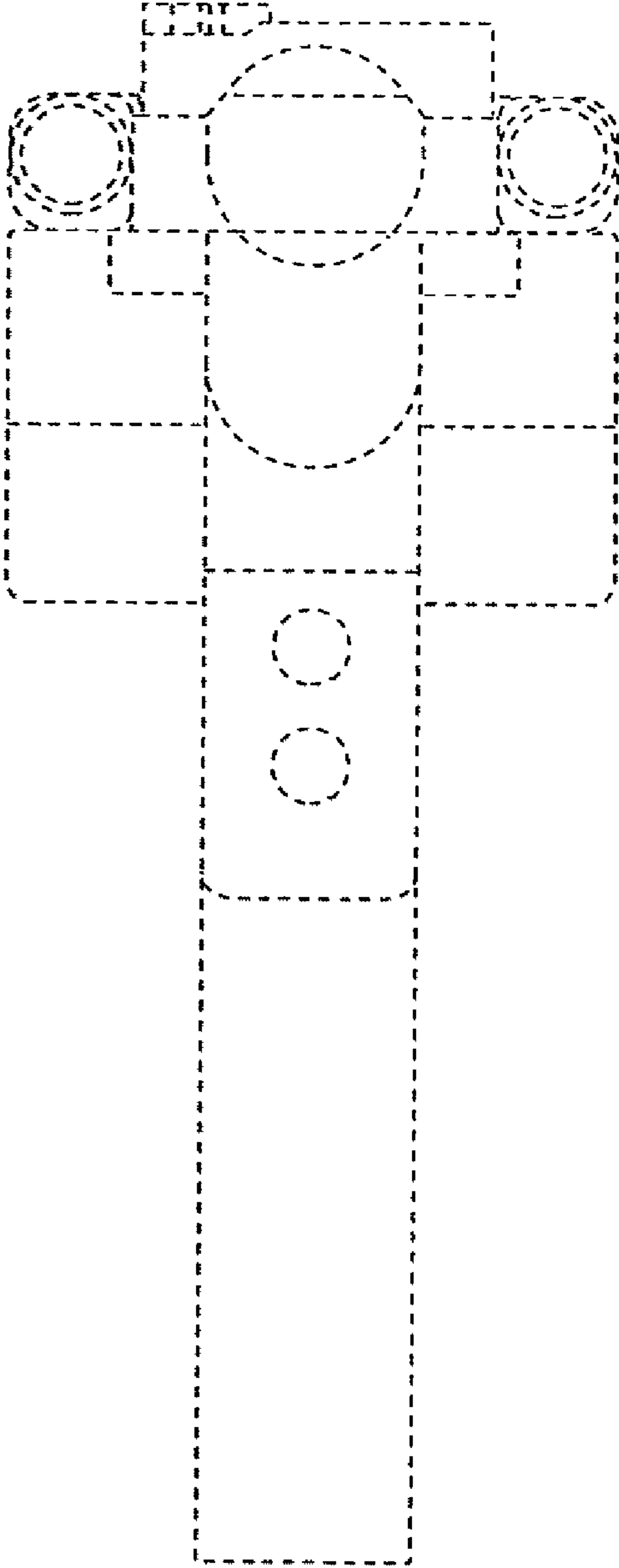


FIG.5

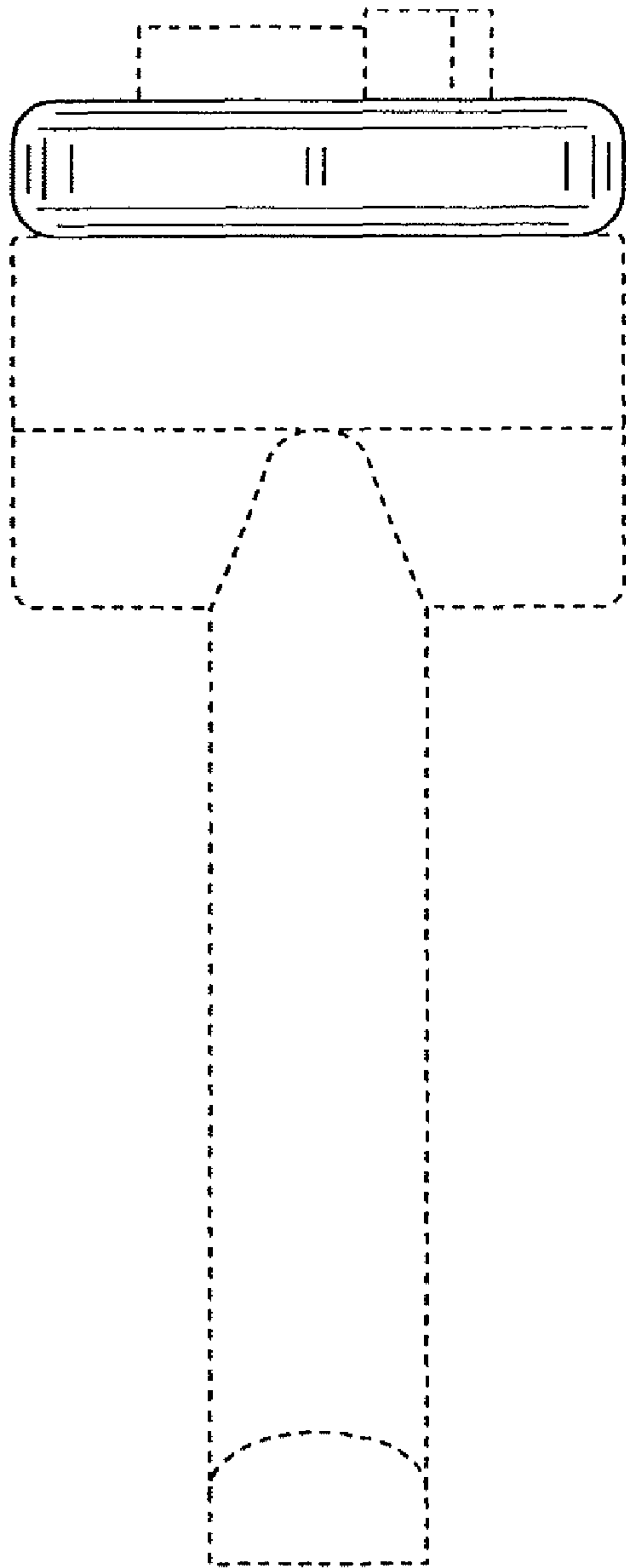


FIG.6

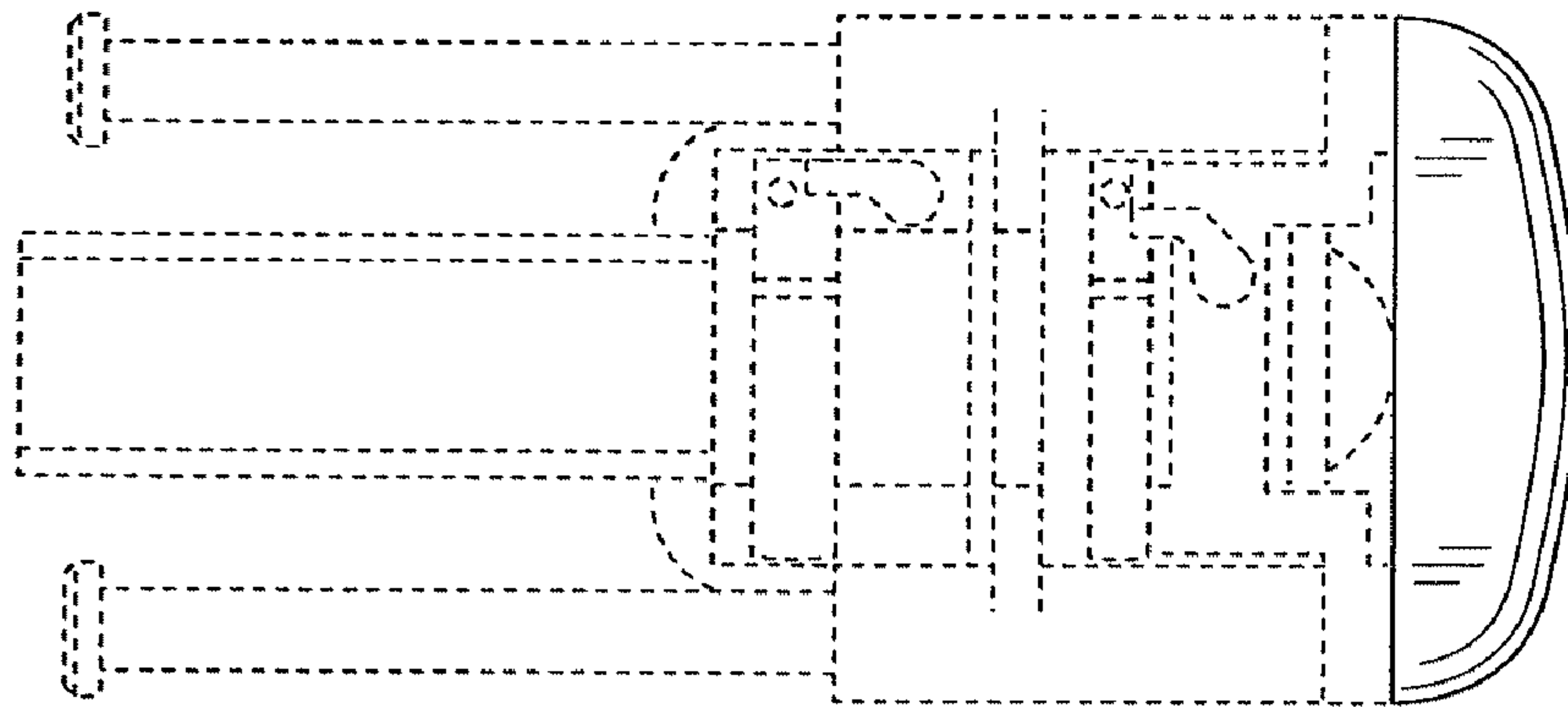


FIG. 7

